



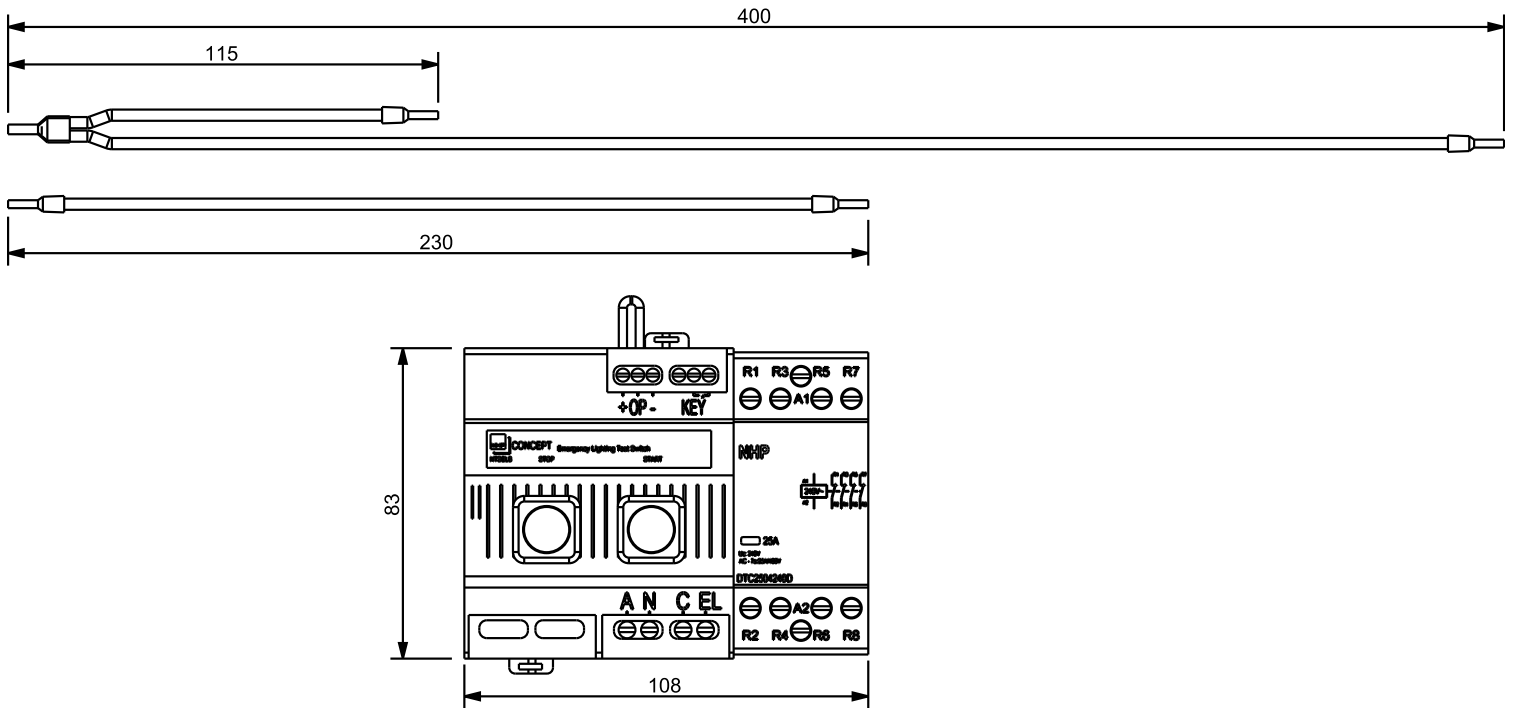
# CELAELK1W

NHP Panelboard Accessory Emergency Lighting Test Unit Push Button Open Type



ELECTRICAL ENGINEERING PRODUCTS

## DIMENSIONAL DIAGRAM



# CELAELK1W

NHP Panelboard Accessory Emergency Lighting Test Unit Push Button Open Type



ELECTRICAL ENGINEERING PRODUCTS

## RELATED PRODUCTS

### ACCESSORY



**Item No:** 390P00003

**Required:** No

**Description:** NHP Concept Panelboard Accessory Label Emergency Light Warning



**Item No:** DTC2504240D

**Required:** No

**Description:** NHP DIN-T Contactors 25A 4 Normally Closed Contacts 240V AC DC Coil



**Item No:** NTSELS

**Required:** No

**Description:** NHP Panelboard Accessory Emergency Light Sensing Module