

# NNS6

Mersen BS Fuse gG Size F1 60mm Centres 500V AC 6A



|                       |          |
|-----------------------|----------|
| <b>Component type</b> | HRC fuse |
| <b>Range</b>          | BS Fuses |
| <b>Model</b>          | N/A      |
| <b>Product status</b> | Existing |

NHP's British Standard (BS) Fuses offer a reliable and cost-effective solution for protecting electrical systems against overcurrent and short-circuit faults. The NHP BS Fuses conform to BS 88, which sets out requirements for the design, performance, and testing of fuses used in electrical systems in the UK and wider geographies.

## ELECTRICAL

|                      |   |
|----------------------|---|
| Type of current      | AC  |
| Rated voltage AC     | 500 V   |
| Utilization category | gL/gG (cable protection/equipment protection) |
| Breaking capacity    | 80 kA   |

## CONSTRUCTION

|   |    |
|---|----|
| Fuse construction type according to IEC 60269 | F1 |
|---|----|

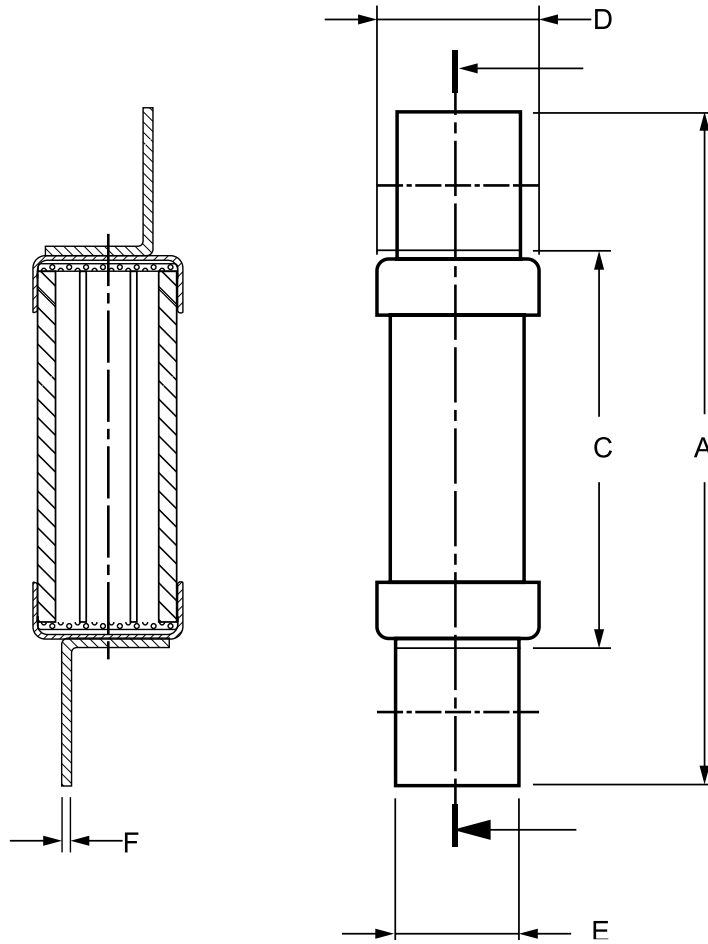
## DIMENSIONS

|        |         |
|--------|---------|
| Height | 60 mm   |
| Width  | 14.2 mm |
| Depth  | 14.2 mm |

# NNS6

Mersen BS Fuse gG Size F1 60mm Centres 500V AC 6A

## DIMENSIONAL DIAGRAM



| Series          | Category | Brand      | A<br>Overall Length | B<br>Fitting Centres | C<br>Body Length | D<br>Body Diameter | E<br>Tag Width | F<br>Tag Thickness | G<br>Hole Length | H<br>Hole Width |
|-----------------|----------|------------|---------------------|----------------------|------------------|--------------------|----------------|--------------------|------------------|-----------------|
| <b>NNS2-32</b>  | F1       | FuseMaster | 60.0                | -                    | 35.0             | 14.2               | 11.0           | 0.8                | -                | -               |
| <b>NNS20M</b>   | F1       | FuseMaster | 62.0                | -                    | 35.0             | 14.3               | 11.5           | 0.8                | -                | -               |
| <b>NNS32M</b>   | F1       | FuseMaster | 62.0                | -                    | 39.0             | 17.5               | 11.5           | 0.8                | -                | -               |
| <b>NES20-63</b> | F2       | FuseMaster | 69.0                | -                    | 39.0             | 17.5               | 15.0           | 1.4                | -                | -               |