

NNS10

Mersen BS Fuse gG Size F1 60mm Centres 500V AC 10A



Component type	HRC fuse
Range	BS Fuses
Model	N/A
Product status	Existing

NHP's British Standard (BS) Fuses offer a reliable and cost-effective solution for protecting electrical systems against overcurrent and short-circuit faults. The NHP BS Fuses conform to BS 88, which sets out requirements for the design, performance, and testing of fuses used in electrical systems in the UK and wider geographies.

ELECTRICAL

Type of current	AC
Rated voltage AC	500 V
Utilization category	gL/gG (cable protection/equipment protection)
Breaking capacity	80 kA

CONSTRUCTION

Fuse construction type according to IEC 60269	F1
---	----

DIMENSIONS

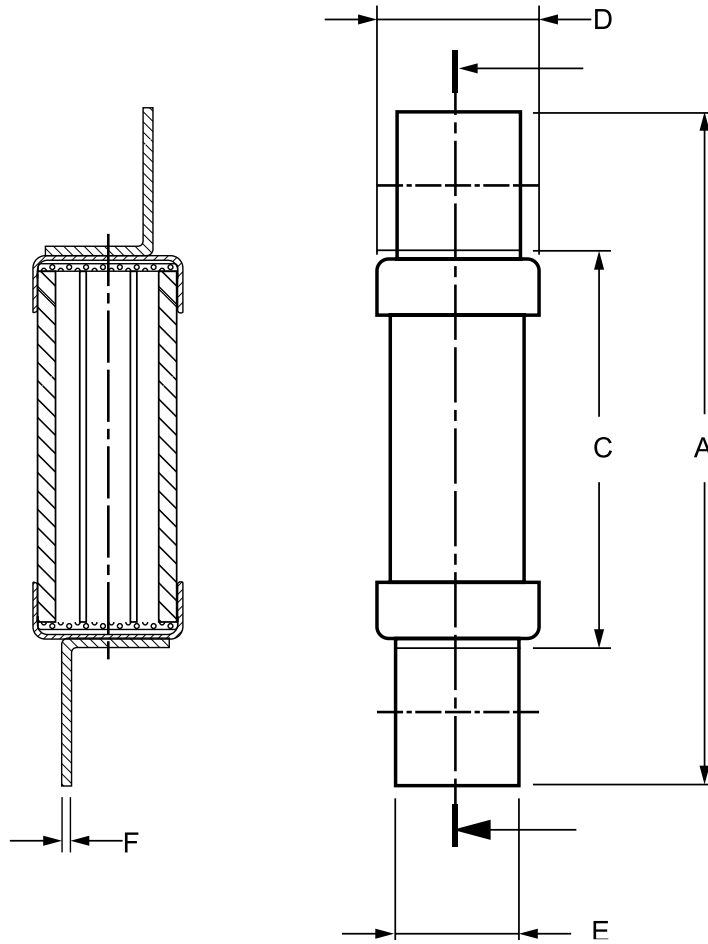
Height	60 mm
Width	14.2 mm
Depth	14.2 mm

NNS10

Mersen BS Fuse gG Size F1 60mm Centres 500V AC 10A



DIMENSIONAL DIAGRAM



Series	Category	Brand	A Overall Length	B Fitting Centres	C Body Length	D Body Diameter	E Tag Width	F Tag Thickness	G Hole Length	H Hole Width
NNS2-32	F1	FuseMaster	60.0	-	35.0	14.2	11.0	0.8	-	-
NNS20M	F1	FuseMaster	62.0	-	35.0	14.3	11.5	0.8	-	-
NNS32M	F1	FuseMaster	62.0	-	39.0	17.5	11.5	0.8	-	-
NES20-63	F2	FuseMaster	69.0	-	39.0	17.5	15.0	1.4	-	-