

100C09D01

Allen-Bradley 100C Contactor 4kW 3Pole 110VAC Coil 1NC
Contact Auxiliary



CONTACTORS



Component type	Power contactor, AC switching
Range	100C
Model	N/A
Product status	Existing

The Allen-Bradley 100-C contactor line offers compact, high-performance design in 9 to 97 A contactors. These energy efficient contactors are designed to control motors and other loads. Straightforward wiring and installation process ensure quick and easy setup, reducing downtime and increasing productivity.

ELECTRICAL

Number of normally open contacts as main contact	3
Number of normally closed contacts as main contact	0
Rated operation current I_e at AC-3, 400 V	9 A
Rated operation power at AC-3, 400 V	4 kW
Rated operation current I_e at AC-1, 400 V	32 A
Max. rated operation voltage U_e AC	690 V
Voltage type for actuating	AC
Control supply voltage U_s at AC 50HZ	110 V
Number of auxiliary contacts as normally open contact	0
Number of auxiliary contacts as normally closed contact	1
Rated operation current I_e at AC-3, 690 V	5 A
Rated operation power at AC-3, 690 V	4 kW
Rated operation power at AC-4, 400 V	1.8 kW
Control supply voltage U_s at AC 60HZ	120 V
Power consumption, AC coil pickup	75 VA
Power consumption, AC coil hold-in	9.5 VA
Type of electrical connection of main circuit	Screw connection
Rated operation current I_e at AC-4, 400 V	4.3 A

CONSTRUCTION

IP rating	IP20
Mounting method	DIN-rail/screw

DIMENSIONS

Height	81 mm
Width	45 mm
Depth	86.5 mm
Weight	0.39 kg

100C09D01

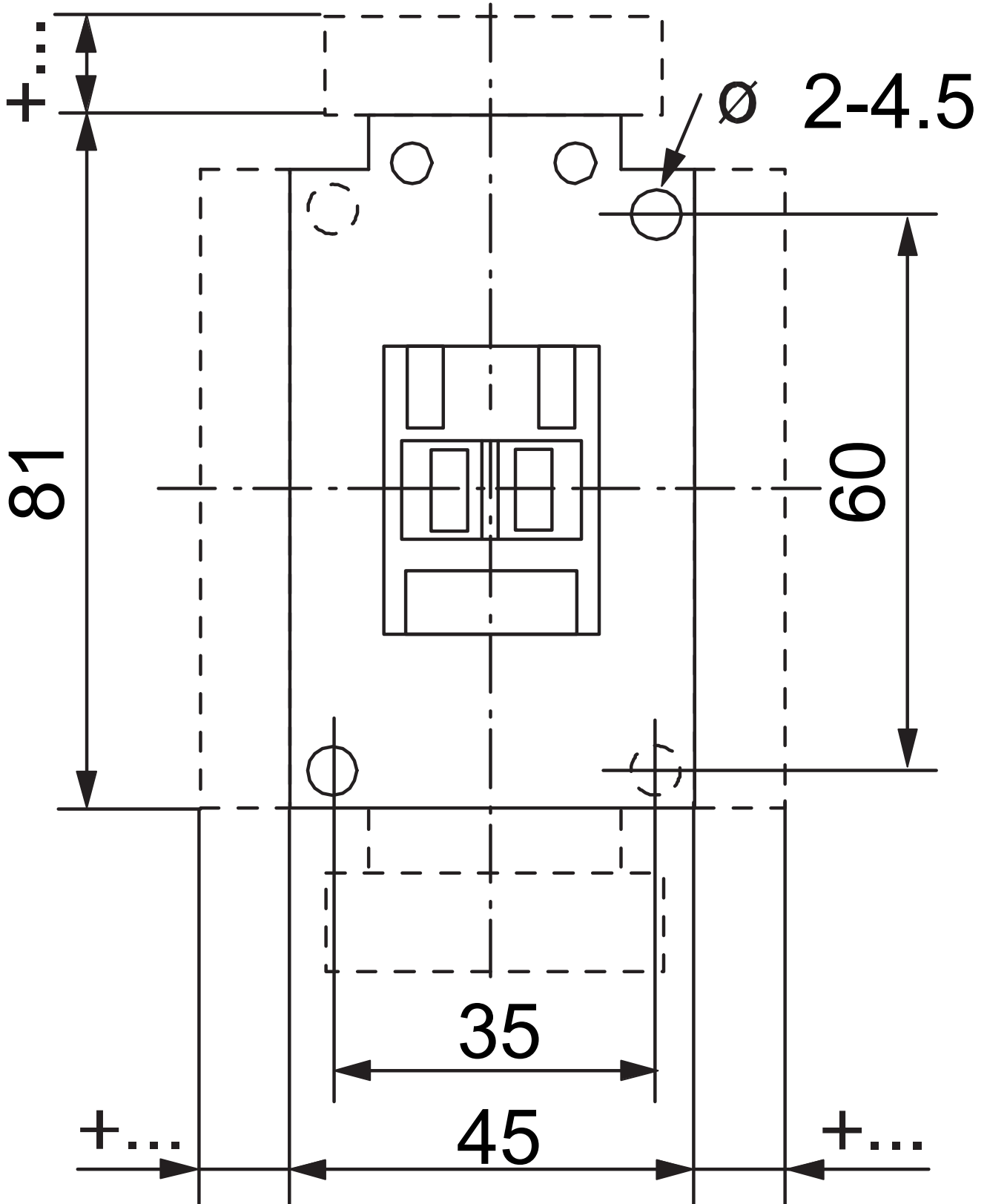
Allen-Bradley 100C Contactor 4kW 3Pole 110VAC Coil 1NC
Contact Auxiliary



CONTACTORS



DIMENSIONAL DIAGRAM



100C09D01

Allen-Bradley 100C Contactor 4kW 3Pole 110VAC Coil 1NC
Contact Auxiliary



CONTACTORS



Allen-Bradley

RELATED PRODUCTS

ACCESSORY



Item No: 140MCPEEC23

Required: No

Description: Allen-Bradley 140M Connecting
Link 140MC to 100C 09 to 23