

4983DC24020

Allen-Bradley 4983DC Surge Suppressor Din Rail Mount Combo
UL1449 and UL1283 240V AC 20A



Allen-Bradley
by ROCKWELL AUTOMATION



Component type	Surge protection device for power supply systems
Range	Surge Diverter
Model	N/A
Product status	Existing

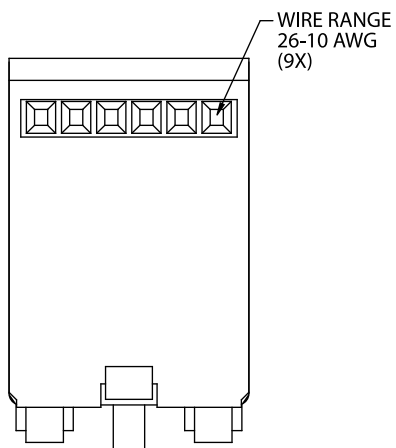
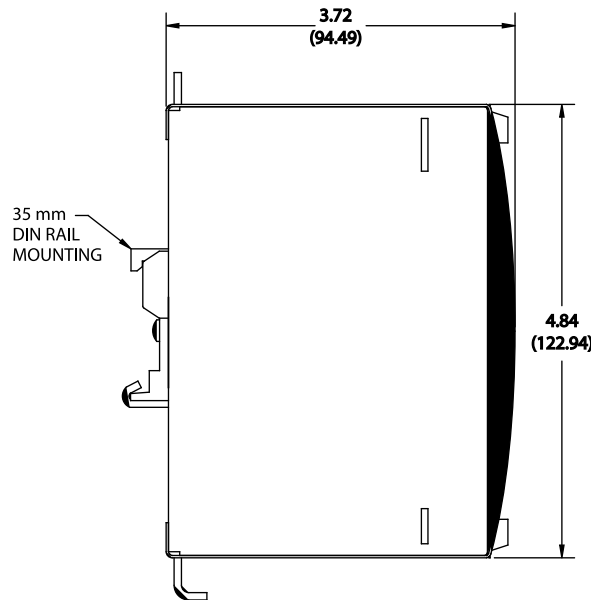
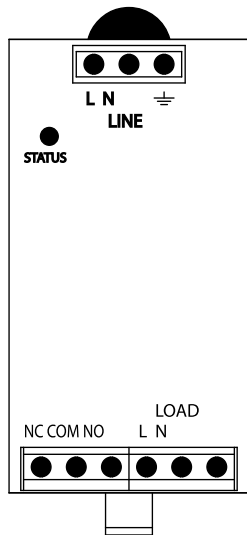
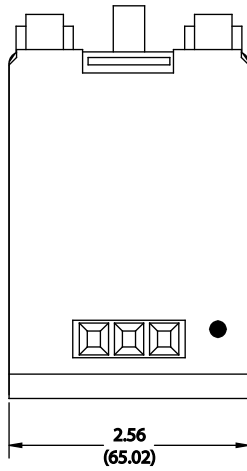
4983DC24020

Allen-Bradley 4983DC Surge Suppressor Din Rail Mount Combo
UL1449 and UL1283 240V AC 20A



Allen-Bradley
by ROCKWELL AUTOMATION

DIMENSIONAL DIAGRAM



Cat. Nos. 4983-DCxxx-10, -DCxxx-20