

MOX40022G

Moflash Xenon Beacons 10 Joules Flashing Mode IP65 230V AC
Wall or Surface Mount Lens Green



MOFLASH
SIGNALLING
BEACONS



Component type	Signalling device
Range	Xenon Beacon
Model	N/A
Product status	Existing

The Moflash range of Xenon beacons are ideal for light and heavy industrial signalling, fire alarm and process control automation applications. Providing brilliant white light instantaneously, an effective bright visual signal. Features include 1-25 Joules, up to 360° light output, a wide choice of colours, sizes, configurations, voltages and mounting options.

ELECTRICAL	Rated operation current I_e	0.06 A
	Nominal voltage	230 - 230 V
	Type of current	AC
COMMUNICATION	Compatible with Apple HomeKit	No
	Compatible with Google Assistant	No
	Compatible with Amazon Alexa	No
CONSTRUCTION	Type of indication	Optic
	Colour of lamp hood	Green
	Mounting method	Other
	Colour housing	Black
	Degree of protection (IP)	IP65
MECHANICAL	Suitable for wall mounting	Yes
PHOTOMETRIC	Lamp type	Xenon
	Type of optical signal	Flash light
DIMENSIONS	Weight	0.82 kg
ENVIRONMENT	Ambient temperature during operating	-25 - 55 °C

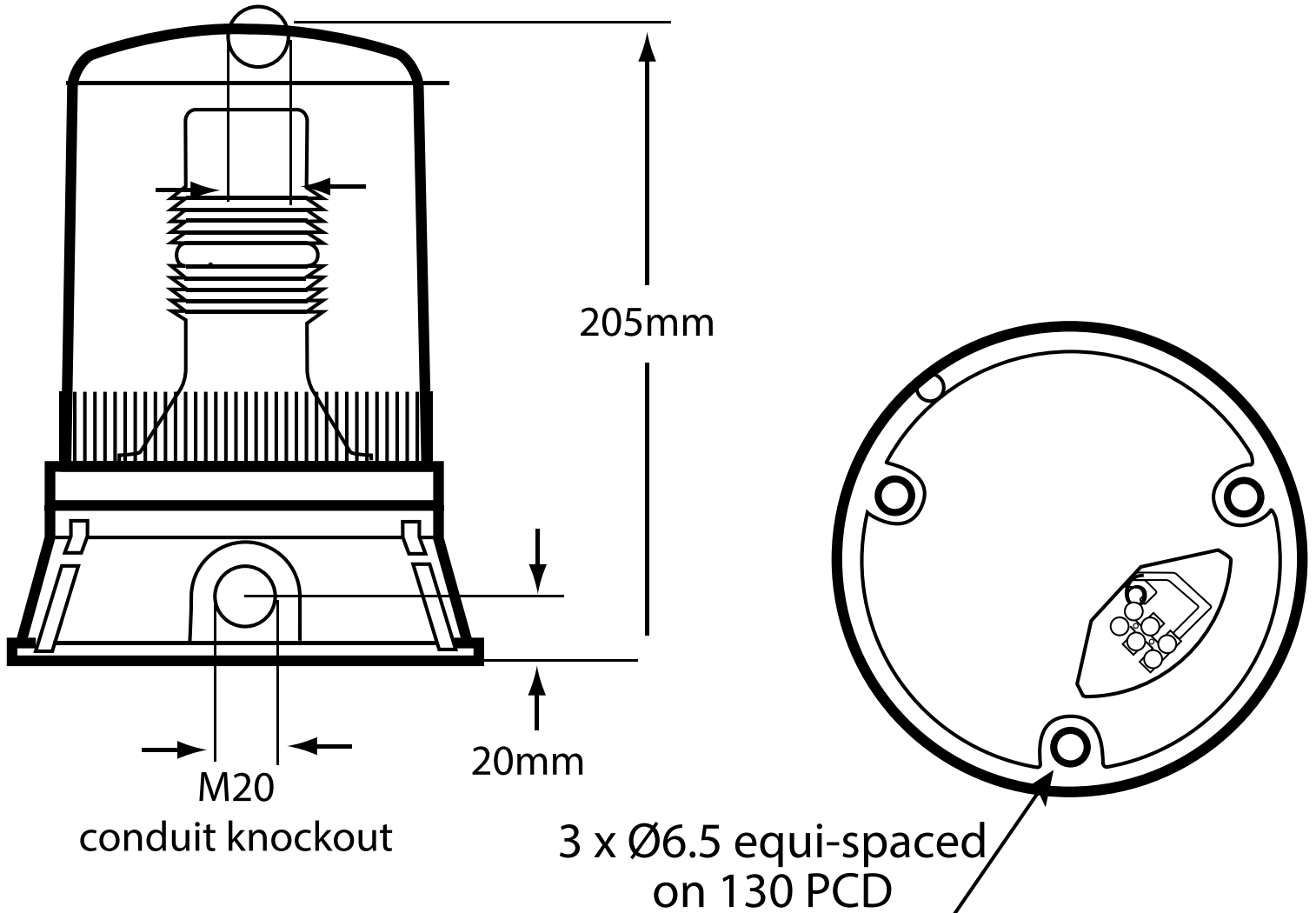
MOX40022G

Moflash Xenon Beacons 10 Joules Flashing Mode IP65 230V AC
Wall or Surface Mount Lens Green



MOFLASH
SIGNALLING
BEACONS

DIMENSIONAL DIAGRAM



RELATED PRODUCTS

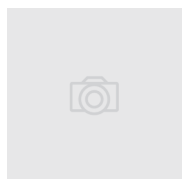
ACCESSORY



Item No: MO50004
Required: No
Description: Moflash Filament and Halogen Beacons Right Angle Wall BRKT suits 400 401 500 and 501 SRS Beacons



Item No: MO50010
Required: No
Description: Moflash Filament and Halogen Beacons Cage Guard LRG PLT Coated WHT Stl suits 200 201 400 401 SRS BEA



Item No: MO50006
Required: No
Description: Moflash Filament and Halogen Beacons Bracket Pole Mount suits 400 401 500 and 501 Series Beacons



Item No: MO50064
Required: No
Description: Moflash Filament and Halogen Beacons Dome for MOR88 MOFF200 MOFF201 MOFF400 MOFF401 Beacons Amber

MOX40022G

Moflash Xenon Beacons 10 Joules Flashing Mode IP65 230V AC
Wall or Surface Mount Lens Green



RELATED PRODUCTS

ACCESSORY



Item No: MO50065

Required: No

Description: Moflash Filament and Halogen Beacons Dome for MOR88 MOFF200 MOFF201 MOFF400 MOFF401 Beacons Red

Item No: MO50066

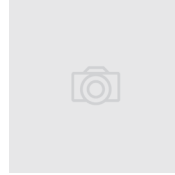
Required: No

Description: Moflash Filament and Halogen Beacons Dome for MOR88 MOFF200 MOFF201 MOFF400 and MOFF401 Beacons Blue

Item No: MO50067

Required: No

Description: Moflash Filament and Halogen Beacons Dome for MOR88 MOFF200 MOFF201 MOFF400 MOFF401 Beacons Green



Item No: MO50068

Required: No

Description: Moflash Filament and Halogen Beacons Dome for MOR88 MOFF200 MOFF201 MOFF400 MOFF401 Beacons Clear

Item No: MO50124

Required: No

Description: Moflash Filament and Halogen Beacons Traffic Light Bracket with Glands L118mm Single Module

Item No: MO50125

Required: No

Description: Moflash Filament and Halogen Beacons Traffic Light Bracket with Glands L227mm Double Module

