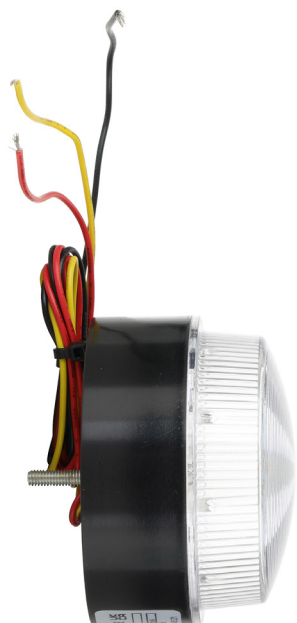


# MOLED8004A

Moflash LED800 12 LEDS Steady/Flashing Mode IP65 115 to 230V AC Stud or Surface Mnt Lens Amber



<b>Component type</b>	Signalling device
<b>Range</b>	LED Beacon
<b>Model</b>	N/A
<b>Product status</b>	Existing

The Moflash range of LED Beacons are a highly efficient and durable visual signalling solution for industrial and commercial applications. LED technology ensures a bright output, visible from a distance with a wide choice of colours, sizes, outputs, configurations, voltages, mounting options and a variety of operation modes such as flashing or rotating.

<b>ELECTRICAL</b>	Rated operation current $I_e$	0.02 A
	Nominal voltage	115 - 230 V
	Type of current	AC
	Electricity consumption	0.02 A
<b>COMMUNICATION</b>	Compatible with Apple HomeKit	No
	Compatible with Google Assistant	No
	Compatible with Amazon Alexa	No
<b>CONSTRUCTION</b>	Type of indication	Optic
	Colour of lamp hood	Orange
	Mounting method	Other
	Material housing	Polycarbonate (PC)
	Colour housing	Black
	Degree of protection (IP)	IP67
<b>PHOTOMETRIC</b>	Lamp type	LED
<b>DIMENSIONS</b>	Type of optical signal	Continuous light
<b>ENVIRONMENT</b>	Weight	0.14 kg
	Ambient temperature during operating	-20 - 55 °C

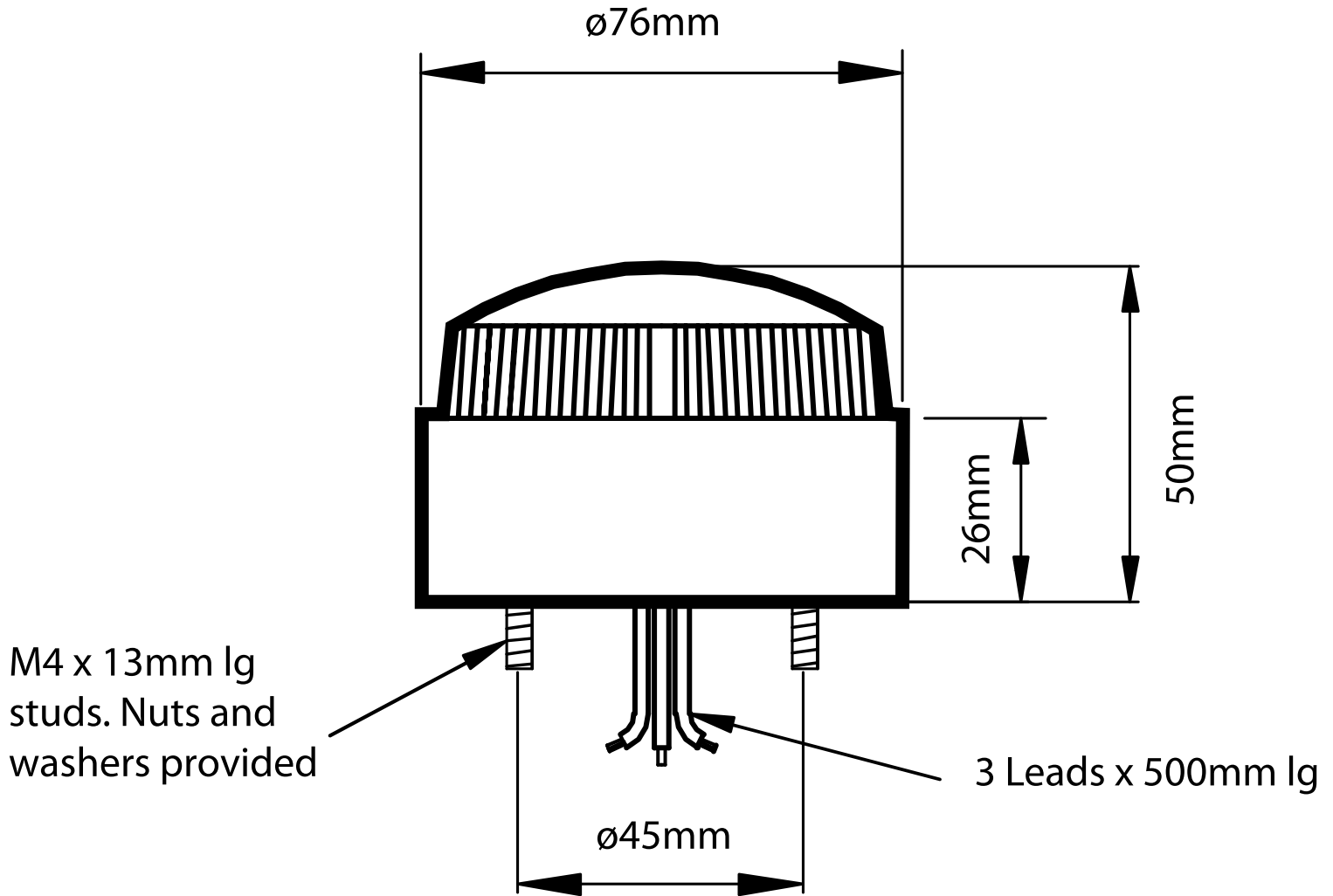
# MOLED8004A

Moflash LED800 12 LEDS Steady/Flashing Mode IP65 115 to 230V AC Stud or Surface Mnt Lens Amber



**MOFLASH**  
SIGNALLING  
BEACONS

## DIMENSIONAL DIAGRAM



$\text{M4} \times 13\text{mm}$  lg studs. Nuts and washers provided

3 Leads x  $500\text{mm}$  lg