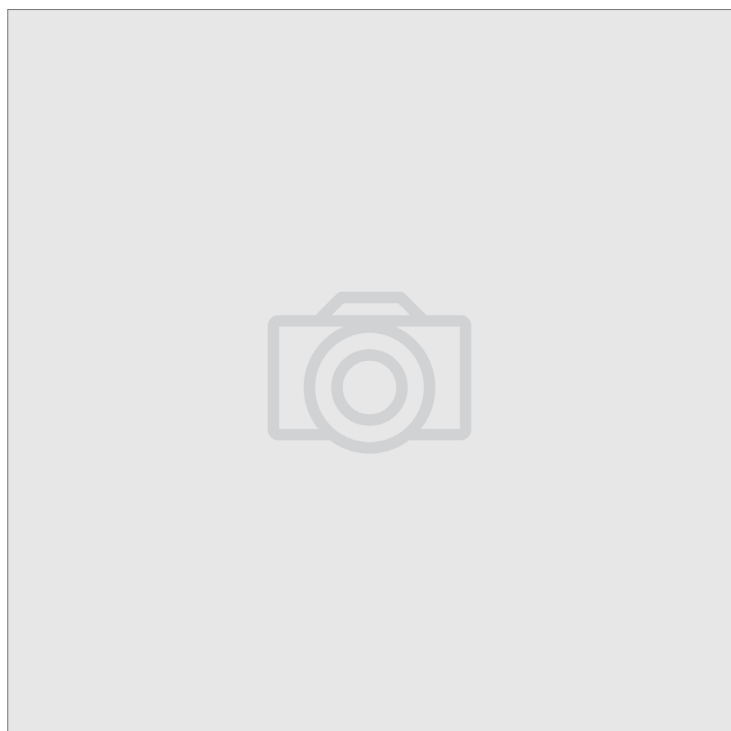


MOLED12504W

Moflash LED125 48 LEDS Steady or Flashing Mode IP65 230V
AC Wall or Surface Mount Lens Clear



Component type	Signalling device
Range	LED Beacon
Model	N/A
Product status	Existing

The Moflash range of LED Beacons are a highly efficient and durable visual signalling solution for industrial and commercial applications. LED technology ensures a bright output, visible from a distance with a wide choice of colours, sizes, outputs, configurations, voltages, mounting options and a variety of operation modes such as flashing or rotating.

ELECTRICAL	Rated operation current I_e	0.04 A
	Nominal voltage	230 - 230 V
	Type of current	AC
	Electricity consumption	0.04 A
COMMUNICATION	Compatible with Apple HomeKit	No
	Compatible with Google Assistant	No
	Compatible with Amazon Alexa	No
CONSTRUCTION	Type of indication	Optic
	Colour of lamp hood	Colourless
	Mounting method	Other
	Colour housing	Black
	Degree of protection (IP)	IP65
MECHANICAL	Suitable for wall mounting	Yes
PHOTOMETRIC	Lamp type	LED
	Type of optical signal	Continuous light
DIMENSIONS	Weight	0.57 kg
ENVIRONMENT	Ambient temperature during operating	-20 - 45 °C

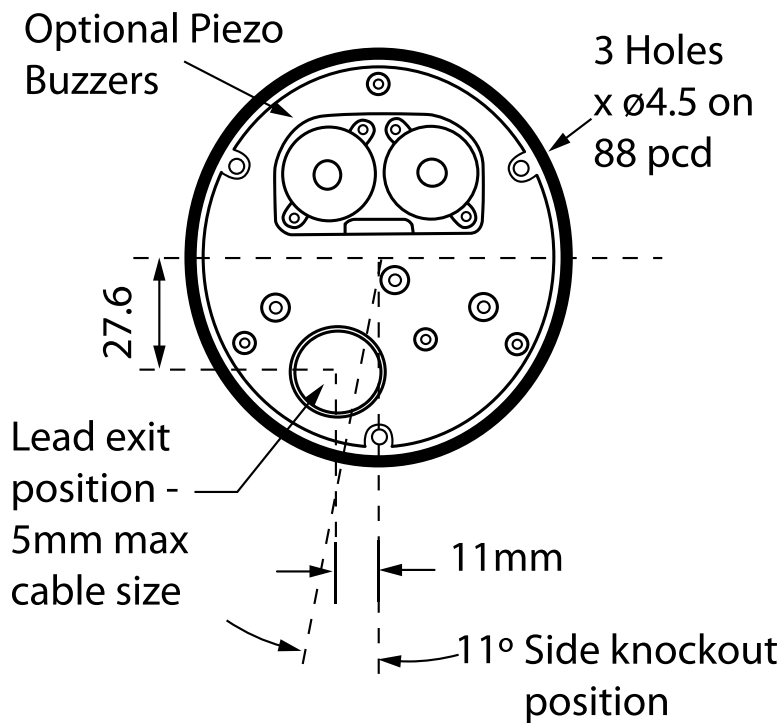
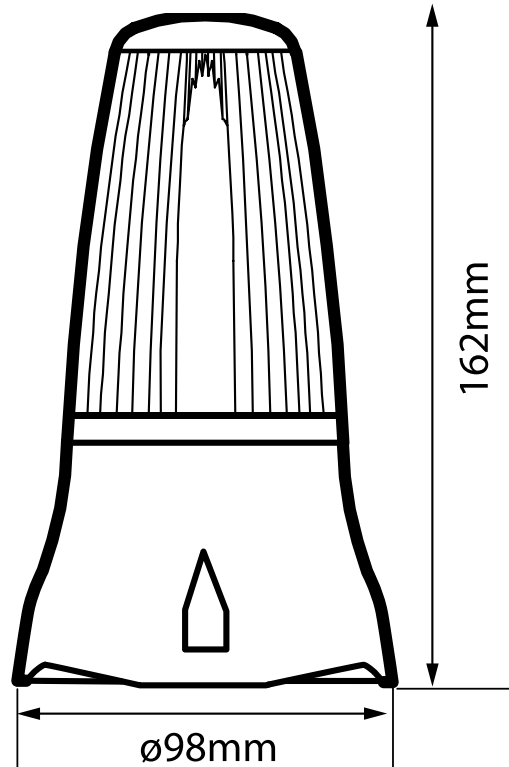
MOLED12504W

Moflash LED125 48 LEDS Steady or Flashing Mode IP65 230V
AC Wall or Surface Mount Lens Clear



MOFLASH
SIGNALLING
BEACONS

DIMENSIONAL DIAGRAM



MOLED12504W

Moflash LED125 48 LEDS Steady or Flashing Mode IP65 230V
AC Wall or Surface Mount Lens Clear



MOFLASH
SIGNALLING
BEACONS

RELATED PRODUCTS

ACCESSORY



Item No: MO50003

Required: No

Description: Moflash Filament and Halogen Beacons Cage Guard Small PLT Coated White Steel suits 125 Series Beacon

Item No: MO50007

Required: No

Description: Moflash Filament and Halogen Beacons Right Angle Wall Bracket suits 3 Point 125 Series Beacons

Item No: MO50080

Required: No

Description: Moflash Filament and Halogen Beacons Anti Vibration Bracket for MOFF125 MOFF200 and MOFF201 Beacon



Item No: MO50124

Required: No

Description: Moflash Filament and Halogen Beacons Traffic Light Bracket with Glands L118mm Single Module

Item No: MO50125

Required: No

Description: Moflash Filament and Halogen Beacons Traffic Light Bracket with Glands L227mm Double Module

