

# MOD6RCCB26330A

NHP MOD6 Residual Current Circuit Breaker RCCB 1PN 63A  
30mA Type A



**MOD6**  
RESIDUAL CURRENT DEVICES



<b>Component type</b>	Residual current circuit breaker (RCCB)
<b>Range</b>	MOD6 RCD
<b>Model</b>	N/A
<b>Product status</b>	Existing

NHP MOD6 residual current devices (RCDs) offer a 6kA rating with a proven history in domestic and commercial applications. The MOD6 RCD range offers many solutions for both 1 phase in 10mA and 30mA sensitivities as well as 3 phase in 30mA sensitivities. The MOD6 RCDs can be easily installed into NHP loadcentres, as well as Concept One distribution panelboards.

## ELECTRICAL

Number of poles	2.0
Voltage type	AC
Frequency	50/60 Hz
Rated current	63.0 A
Leakage current type	A
Rated leakage current	30.0 mA
Concurrently switching neutral conductor	Yes
Service voltage (Min)	287.0 V
Max. rated operation voltage Ue AC	455.0 V
Rated insulation voltage Ui	500.0 V
Rated impulse withstand voltage Uimp	6.0 kV
Rated fault current	6000.0 A
Selective protection	No
Electrical life at Un, In (service cycles)	10000.0 cycles

## CONSTRUCTION

Mounting method	DIN rail
Degree of protection (IP)	IP20
Additional equipment possible	Yes

## MECHANICAL

Connectable conductor cross section solid-core	35 - 35 mm <sup>2</sup>
Mechanical life (service cycles)	20000.0 cycles

## DIMENSIONS

Height	86.0
Depth	76.0 mm
Weight	0.25 kg

## ENVIRONMENT

Operating temperature	55 °C
Ambient temperature during operating	-25 - 55 °C
Storage temperature	70 °C

# MOD6RCCB26330A

NHP MOD6 Residual Current Circuit Breaker RCCB 1PN 63A  
30mA Type A



**MOD6**  
RESIDUAL CURRENT DEVICES

## ENVIRONMENT

Pollution degree

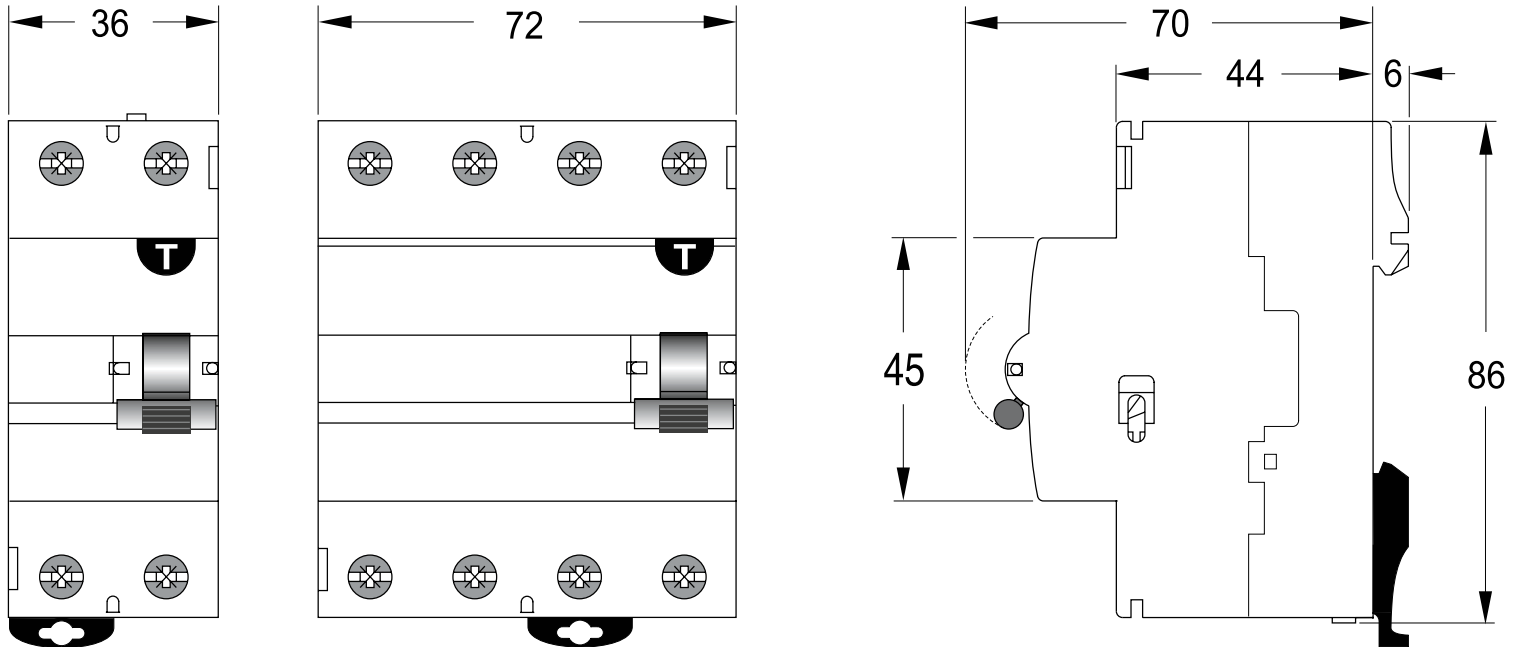
2.0

## CERTIFICATES/APPROVALS

Explosion-proof

No

## DIMENSIONAL DIAGRAM



## RELATED PRODUCTS

### ACCESSORY



**Item No:** DTLD

**Required:** No

**Description:** NHP DIN-T LOCKDIN Locking Device Removable Individual Piece 8mm



**Item No:** DTTLT25PN2

**Required:** No

**Description:** NHP MOD6 Miniature Circuit Breaker Terminal Axial Pin 25mm Long Insulated



**Item No:** DTPF12

**Required:** No

**Description:** NHP DIN-T Accessory Pole Filler 12Pole Strip 216mm equals 24 x 9mm Segments



**Item No:** IBC112P

**Required:** No

**Description:** NHP DIN-T Miniature Circuit Breaker Bus Comb 12 Way Pin Type 90 Degree 80A End Feed 130A Centre Feed



**Item No:** DTT9025PN

**Required:** No

**Description:** NHP MOD6 Miniature Circuit Breaker Terminal Insulated 90 Degrees 25mm Pin



**Item No:** IBC115P

**Required:** No

**Description:** NHP DIN-T Miniature Circuit Breaker Bus Comb 15 Way Pin Type 90 Degree 80A End Feed 130A Centre Feed



**Item No:** DTTAX16PN3

**Required:** No

**Description:** NHP MOD6 Miniature Circuit Breaker Terminal 3 Neutral Link suit RCCB

# MOD6RCCB26330A

NHP MOD6 Residual Current Circuit Breaker RCCB 1PN 63A  
30mA Type A



**MOD6**  
RESIDUAL CURRENT DEVICES

## RELATED PRODUCTS

### ACCESSORY



**Item No:** IBC118P

**Required:** No

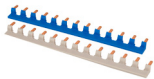
**Description:** NHP DIN-T Miniature Circuit Breaker Bus Comb 18 Way Pin Type 90 Degree 80A End Feed 130A Centre Feed



**Item No:** IBCEC1

**Required:** No

**Description:** NHP DIN-T Miniature Circuit Breaker Busbar Comb Endcap for 1Pole IBC



**Item No:** IBD213P

**Required:** No

**Description:** NHP MOD6 Miniature Circuit Breaker Busbar Comb 13 1PN Pin Type 90 Deg 80A End Feed 100A Centre Feed



**Item No:** IBD218P

**Required:** No

**Description:** NHP MOD6 Miniature Circuit Breaker Busbar Comb 18 Way 1PN Pin 80A End Feed 100A Centre Feed



**Item No:** IBD255P

**Required:** No

**Description:** NHP MOD6 Miniature Circuit Breaker Busbar Comb 55 Way 1PN Pin 80A End Feed 100A Centre Feed



**Item No:** IBDEC2

**Required:** No

**Description:** NHP MOD6 Miniature Circuit Breaker Busbar Comb Endcap for 2Pole IBD



**Item No:** IBDEC4

**Required:** No

**Description:** NHP MOD6 Miniature Circuit Breaker Busbar Comb Endcap for 4Pole IBD



**Item No:** ICL121F

**Required:** No

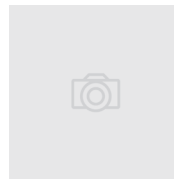
**Description:** NHP MOD6 Miniature Circuit Breaker Busbar Comb 12 Way 1P Fork 90 Deg 90A End Feed 150A Centre Feed



**Item No:** ICL181F

**Required:** No

**Description:** NHP MOD6 Miniature Circuit Breaker Busbar Comb 18 Way 1P Fork 90 Deg 80A End Feed 130A Centre Feed



**Item No:** ICL41F

**Required:** No

**Description:** NHP MOD6 Miniature Circuit Breaker Busbar Comb 04 Way 1P Fork 80A End Feed and 130A Centre Feed



**Item No:** ICL561F

**Required:** No

**Description:** NHP DIN-T Miniature Circuit Breaker Bus Comb 57 Way 1Pole Fork Type 110A End Feed 130A Centre Feed



**Item No:** ICL573F

**Required:** No

**Description:** NHP DIN-T Miniature Circuit Breaker Bus Comb 57 Way 3Pole Fork Type 120A End Feed 130A Centre Feed