

855BLS20RH4

Allen-Bradley 855BL Beacon 160mm Round Surface Mount
Rotating Halogen 240V AC Full Voltage Red



Allen-Bradley

by ROCKWELL AUTOMATION

BEACONS



Component type	Rotating beacon alarm luminaire
Range	Beacons
Model	N/A
Product status	Existing

The Allen-Bradley 855R series of round beacons are ideal for use in industrial signalling applications. Designed for fast, flexible, and easy installation with simple modular assembly while maintaining reliable performance. Available in 110mm diameter size utilising the latest LED technology with various colour, voltage and mounting options.

ELECTRICAL	Nominal voltage	240.0 V
	Electricity consumption	0.39 A
	Type of current	AC/DC
	Power	50.0 W
	Function	Rotating
CONSTRUCTION	Colour of lamp hood	Red
	Degree of protection (IP)	IP65
	Lamp holder	GY6.35
	Optics	Mirror
	Degree of protection (NEMA)	13
PHOTOMETRIC	Mounting method	Surface mounting
	Lamp type	Halogen

855BLS20RH4

Allen-Bradley 855BL Beacon 160mm Round Surface Mount
Rotating Halogen 240V AC Full Voltage Red



Allen-Bradley

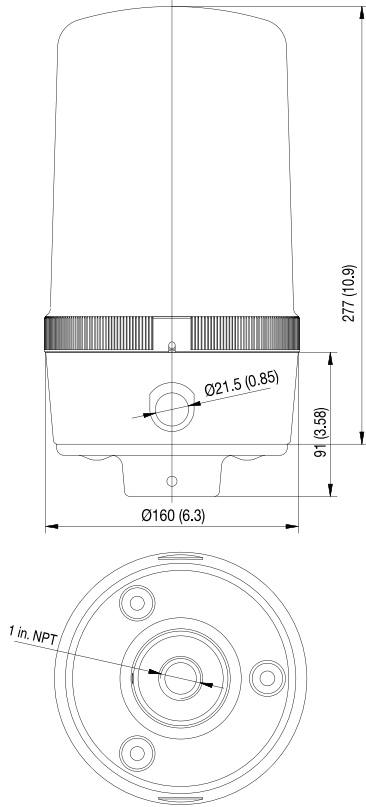
by ROCKWELL AUTOMATION

BEACONS

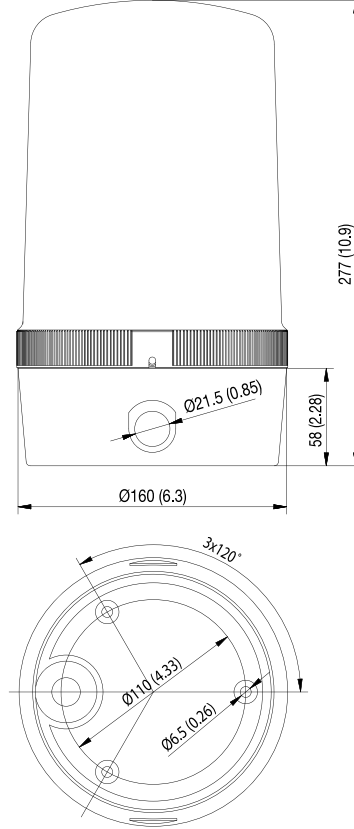
DIMENSIONAL DIAGRAM

Dimensions in millimeters (inches). Dimensions are not intended to be used for manufacturing purposes.

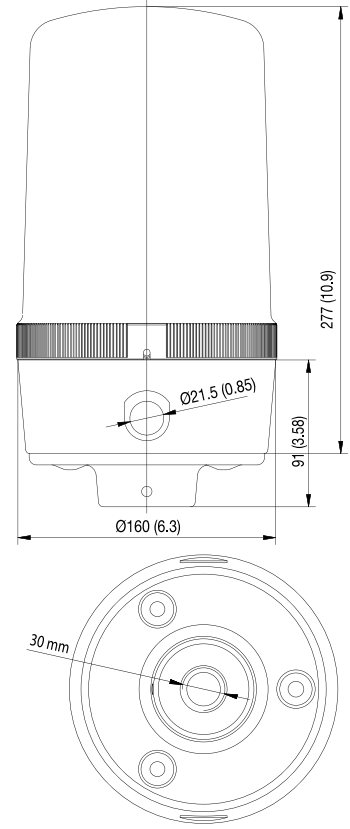
160 mm Beacon NPT Mount



160 mm Beacon Surface Mount



160 mm Beacon Tube Mount



160 mm Beacon Vertical Bracket

