

# 855BLS20DH5

Allen-Bradley 855BL Beacon 160mm Round Surface Mount  
Steady Halogen 240V AC Full Voltage Amber



**Allen-Bradley**

by ROCKWELL AUTOMATION

BEACONS



<b>Component type</b>	Signalling device
<b>Range</b>	Beacons
<b>Model</b>	N/A
<b>Product status</b>	Existing

The Allen-Bradley 855R series of round beacons are ideal for use in industrial signalling applications. Designed for fast, flexible, and easy installation with simple modular assembly while maintaining reliable performance. Available in 110mm diameter size utilising the latest LED technology with various colour, voltage and mounting options.

<b>ELECTRICAL</b>	Nominal voltage	240 - 240 V
	Type of current	AC
	Power	50.0 W
<b>COMMUNICATION</b>	Compatible with Apple HomeKit	No
	Compatible with Google Assistant	No
	Compatible with Amazon Alexa	No
<b>CONSTRUCTION</b>	Colour of lamp hood	Orange
	Mounting method	Surface mounting
	Colour housing	Black
	Degree of protection (IP)	IP65
<b>PHOTOMETRIC</b>	Lamp type	Incandescent lamp
	Type of optical signal	Continuous light
<b>DIMENSIONS</b>	Wire/conductor size	2.5 mm
	Weight	0.9 kg
<b>ENVIRONMENT</b>	Ambient temperature during operating	-25 - 50 °C

# 855BLS20DH5

Allen-Bradley 855BL Beacon 160mm Round Surface Mount  
Steady Halogen 240V AC Full Voltage Amber



Allen-Bradley

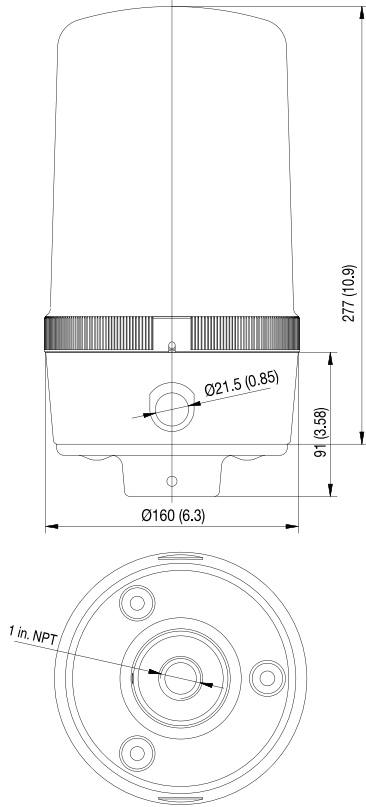
by ROCKWELL AUTOMATION

BEACONS

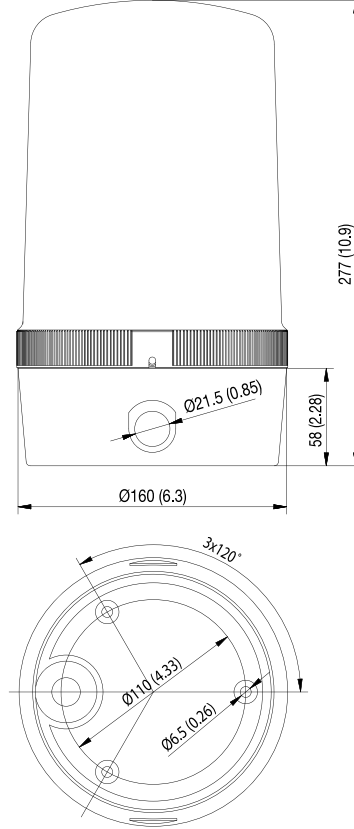
## DIMENSIONAL DIAGRAM

Dimensions in millimeters (inches). Dimensions are not intended to be used for manufacturing purposes.

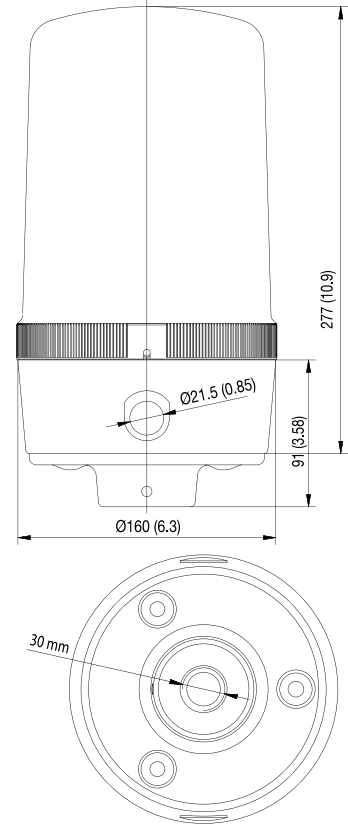
### 160 mm Beacon NPT Mount



### 160 mm Beacon Surface Mount



### 160 mm Beacon Tube Mount



### 160 mm Beacon Vertical Bracket

