

855BLS20BR6

Allen-Bradley 855BL Beacon 160mm Round Surface Mount
Strobe 240V AC Full Voltage Blue



Allen-Bradley

by ROCKWELL AUTOMATION

BEACONS



Component type	Rotating beacon alarm luminaire
Range	Beacons
Model	N/A
Product status	Existing

The Allen-Bradley 855R series of round beacons are ideal for use in industrial signalling applications. Designed for fast, flexible, and easy installation with simple modular assembly while maintaining reliable performance. Available in 110mm diameter size utilising the latest LED technology with various colour, voltage and mounting options.

ELECTRICAL

Nominal voltage	240.0 V
Electricity consumption	0.35 A
Type of current	AC/DC
Function	Strobe

CONSTRUCTION

Colour of lamp hood	Blue
Degree of protection (IP)	IP65
Optics	Fresnel lens
Degree of protection (NEMA)	13
Mounting method	Surface mounting

PHOTOMETRIC

Lamp type	Other
-----------	-------

855BLS20BR6

Allen-Bradley 855BL Beacon 160mm Round Surface Mount
Strobe 240V AC Full Voltage Blue



Allen-Bradley

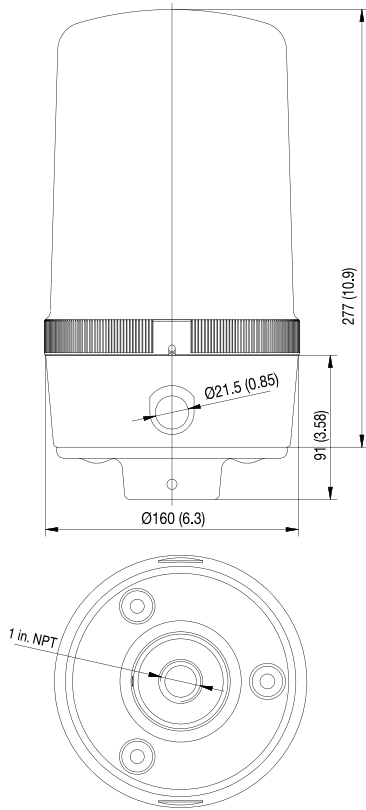
by ROCKWELL AUTOMATION

BEACONS

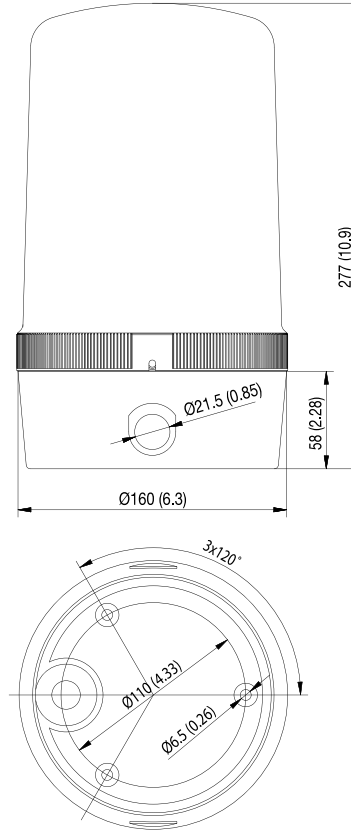
DIMENSIONAL DIAGRAM

Dimensions in millimeters (inches). Dimensions are not intended to be used for manufacturing purposes.

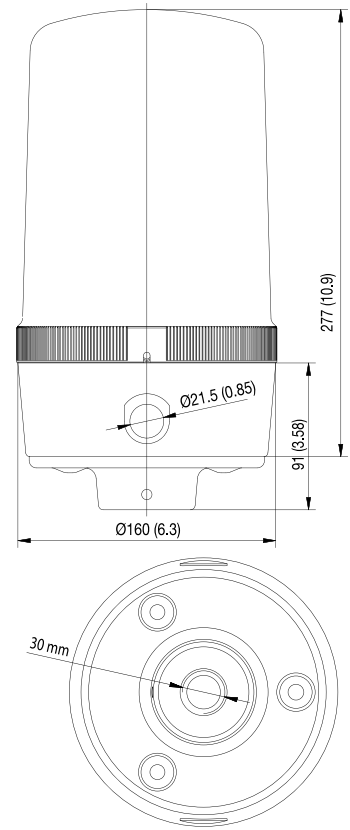
160 mm Beacon NPT Mount



160 mm Beacon Surface Mount



160 mm Beacon Tube Mount



160 mm Beacon Vertical Bracket

