

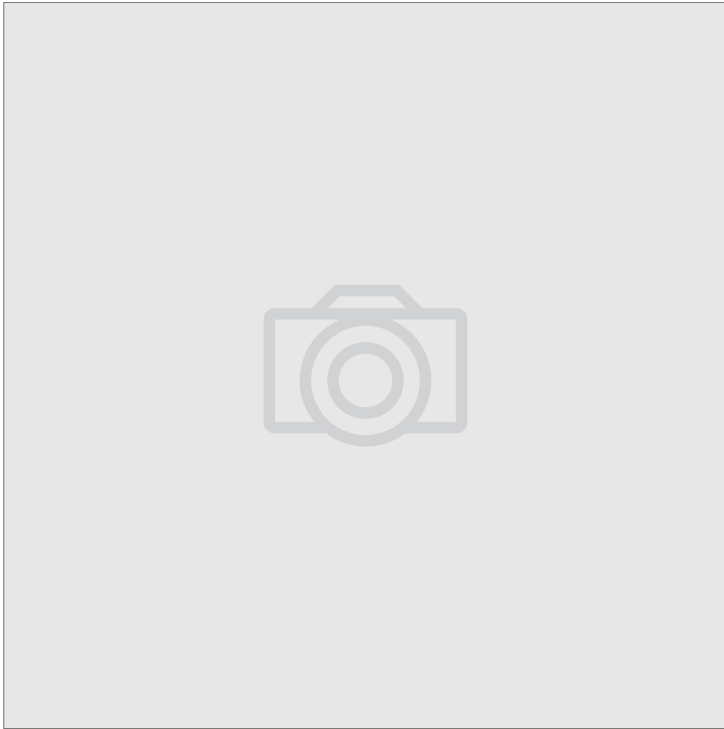
# 800TCU35

Allen-Bradley 800T Potentiometer 20 kOhms Resistive Element  
Finger Safe Terminal Guard for 30.5mm PB



**Allen-Bradley**

by ROCKWELL AUTOMATION  
PUSHBUTTON AND PILOT LIGHTS

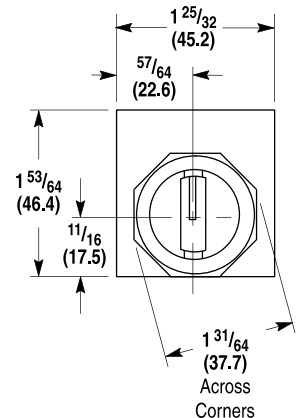
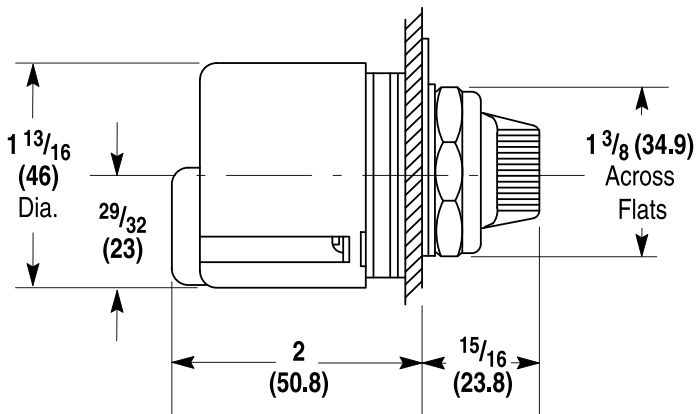


Component type	Potentiometer for command devices
Range	800T/H Pushbutton
Model	N/A
Product status	Existing

The Allen-Bradley 800T/H range of 30.5mm mount operators are designed and constructed to perform in the most demanding industrial environments. The range includes pushbuttons, selector switches, emergency stops, pilot lights. Available in both metal and plastic types with a modular design allowing for easy selection, configuration and assembly of components to form the operator control device.

<b>ELECTRICAL</b>	Resistance	20000.0 Ohm
	Type of electric connection	Screw connection
	Mechanical life (service cycles)	25000.0 cycles
<b>MECHANICAL</b>	Vibration acceleration (Max)	10.0 m/s <sup>2</sup>
	Vibration frequency, operational (Max)	2000.0 Hz
	Shock acceleration (Max)	100.0 g
	Shock duration (Max)	11.0 ms
<b>DIMENSIONS</b>	Hole diameter	30.5 mm
<b>ENVIRONMENT</b>	Operating temperature	-40 - 55 °C

## DIMENSIONAL DIAGRAM



*Type J Potentiometer Unit*  
**Shipping Wt. 4 oz (0.11 kg)**