

# 800HCQR24

Allen-Bradley 800H Pilot Light 30.5mm Complete Plastic FS  
NTO INC FV 24V AC DC



**Allen-Bradley**

by ROCKWELL AUTOMATION

PUSHBUTTON AND PILOT LIGHTS



<b>Component type</b>	Indicator light complete
<b>Range</b>	800T/H Pushbutton
<b>Model</b>	N/A
<b>Product status</b>	Existing

The Allen-Bradley 800T/H range of 30.5mm mount operators are designed and constructed to perform in the most demanding industrial environments. The range includes pushbuttons, selector switches, emergency stops, pilot lights. Available in both metal and plastic types with a modular design allowing for easy selection, configuration and assembly of components to form the operator control device.

## ELECTRICAL

<b>Voltage type</b>	AC/DC
<b>Type of electric connection</b>	Screw connection
<b>Number of indicator lights</b>	1.0
<b>Rated frequency</b>	50 - 60 Hz
<b>Operating voltage</b>	24.0 V

## CONSTRUCTION

<b>Degree of protection (IP)</b>	IP2X
<b>Material front ring</b>	Plastic
<b>With light source</b>	Yes
<b>Construction type lens</b>	Round

## MECHANICAL

<b>Shock acceleration (Max)</b>	100.0 g
<b>Vibration frequency, operational (Max)</b>	2000.0 Hz
<b>Vibration acceleration (Max)</b>	10.0 m/s <sup>2</sup>

## DIMENSIONS

<b>Hole diameter</b>	30.5 mm
<b>Diameter cap</b>	40.5 mm

# 800HCQR24

Allen-Bradley 800H Pilot Light 30.5mm Complete Plastic FS  
NTO INC FV 24V AC DC

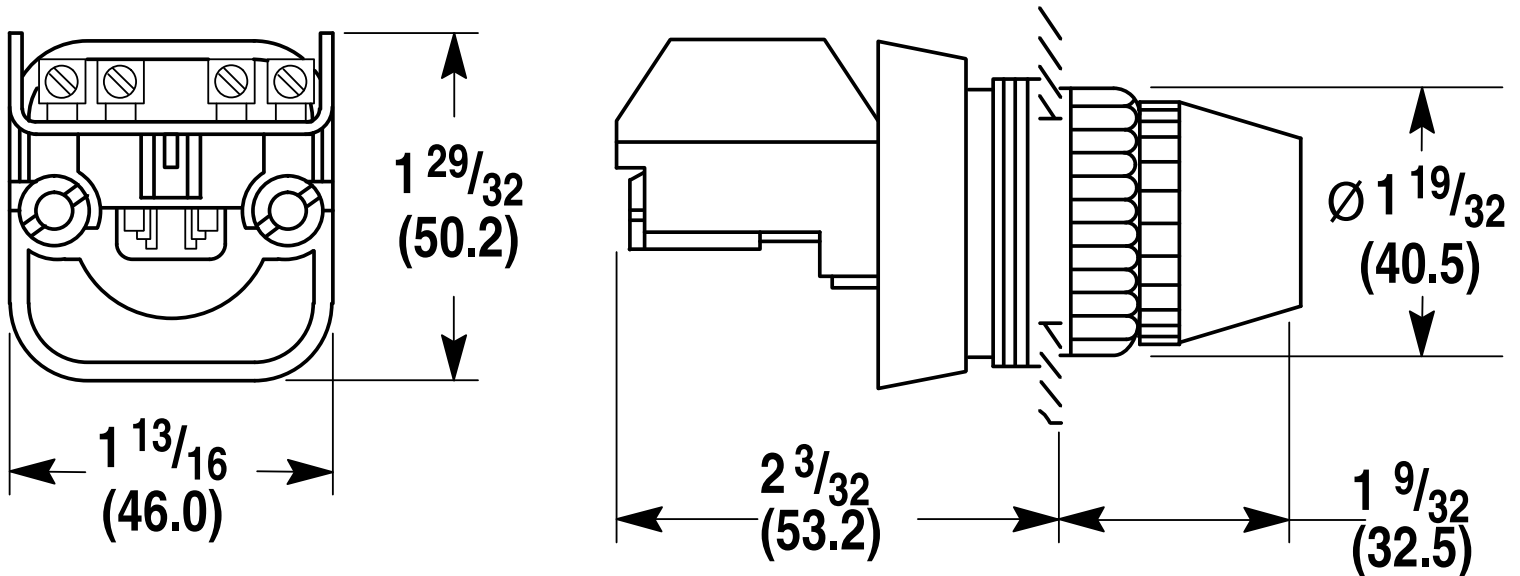


**Allen-Bradley**

by ROCKWELL AUTOMATION

PUSHBUTTON AND PILOT LIGHTS

## DIMENSIONAL DIAGRAM



Full Voltage and Dual Input Diode Type  
Pilot Light (Incandescent, Neon, LED)  
Shipping Weight. 5 oz (0.14 kg)