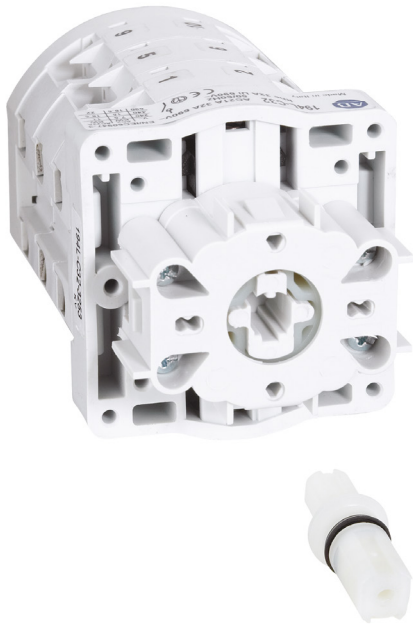


194LA251753

Allen-Bradley 194L Cam Switch 3Pole 25A Base Mount 90 Degree Off On



Allen-Bradley
by ROCKWELL AUTOMATION



Component type	Off-load switch
Range	194L
Model	N/A
Product status	Existing

The Allen-Bradley 194L range of rotary cam switches are designed for use in control and load switching based applications rated from 12A to 40A. Modular in design and available with a range of frame sizes, faceplate and switch body designs for various switching configurations. Optional accessories include shaft extensions and enclosures for various applications.

ELECTRICAL

Number of poles	3.0
Rated permanent current I_u	25.0 A
Rated operation power at AC-3, 400 V	11.0 kW
Rated operation current I_e at AC-15, 230 V	8.0 A
Rated operation current I_e at AC-15, 400 V	6.0 A
Rated operation current I_e at AC-22a, 690V	25.0 A
Rated operation current I_e at AC-22a, 220-500V	25.0 A
Rated operation current I_e at AC-21a, 690V	25.0 A
Rated operation current I_e at AC-1, 690V	25.0 A
I_{the} , thermal current (enclosed)	25.0 A
I_{th} , thermal current (open)	30.0 A
Number of auxiliary contacts as normally closed contact	0.0
Number of auxiliary contacts as normally open contact	0.0
Number of auxiliary contacts as change-over contact	0.0
Type of electrical connection of main circuit	Screw connection

CONSTRUCTION

Model	On/Off switch
Mounting method	DIN rail
Material housing	Plastic
Wire/conductor size, rigid cable	1.5 - 6 mm ²
Wire/conductor size, flex cable	1.5 - 4 mm ²
Degree of protection (IP), front side	IP20
Suitable for front mounting	No
Suitable for distribution board installation	No
Complete device in housing	No

194LA251753

Allen-Bradley 194L Cam Switch 3Pole 25A Base Mount 90 Degree Off On



Allen-Bradley
by ROCKWELL AUTOMATION

MECHANICAL

With zero (off) position	Yes
Mechanical life (service cycles)	1000000.0 cycles
Number of switch positions	2.0
With retraction in 0-position	No

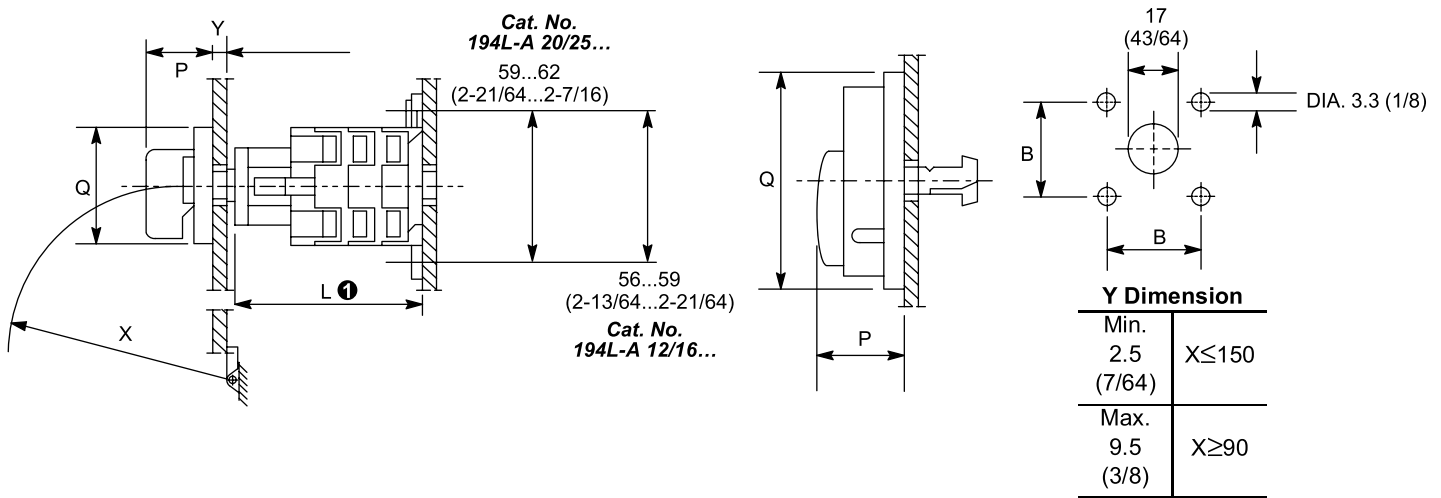
DIMENSIONS

Depth	71.5 mm
Height	62.0 mm

ENVIRONMENT

Operating temperature	-25 - 60 °C
-----------------------	-------------

DIMENSIONAL DIAGRAM



Cat. No.	L ①			
	No. of Contacts			
	1 – 2	3 – 4	5 – 6	7 – 8
194L-A12/16...	58 (2-9/32)	68 (2-11/16)	78 (3-5/64)	88 (3-15/32)
194L-A20/25...	58 (2-9/32)	71.5 (2-13/16)	84 (3-5/16)	96.5 (3-51/64)

Control Knob

Cat. No.	P	B	Q
194L-HE4A...	28 (1-7/64)	36 (1-27/64)	48 (1-57/64) x 48 (1-57/64)
194L-HE4I...			48 (1-57/64) x 62 (2-7/16)
194L-HE4S...		48 (1-57/64)	64 (2-33/64) x 64 (2-33/64)
194L-HE6A...			64 (2-33/64) x 78 (3-5/64)
194L-HE6I...			67 (2-41/64) x 67 (2-41/64)
194L-HE6S...			
194L-HE6N...	34 (1-11/32)	67 (2-41/64) x 67 (2-41/64)	
194L-HE6G...			

① With DIN 46 277 (35) Rail + 2.5 mm (7/64)