



Turn Opportunity into Advantage...

Benefit from simplicity, control, versatility... - Operational safety and dependability

Multi Drawer is CUBIC's fully withdrawable system for switchboards.

The new generation of Multi Drawer offers a wide range of features for increased competitiveness in relation to both optimised assembling time as well as to the total price of the switchboard.

CUBIC

MD - Multi Drawer

"Turn opportunity into advantage"... the essence of CUBIC's Multi Drawer system.

The new generation of Multi Drawer turns opportunities into advantages. Advantages in terms of versatility, operational safety, dependability and cost effectiveness in withdrawable units to any type of switchboard.

The Multi Drawer is used world-wide where electrical energy is distributed with the highest possible personal and operational safety; typically within the process industry, mining, navigation, hospitals, infrastructure etc., where even a short interruption of the power supply may be crucial to human lives and cause huge operational disadvantages and economic losses.

All advantages - One system

The Multi Drawer system provides the possibility to offer versatile and compact solutions, which simultaneously meet the end-user's demand for a competitive product.

Multi Drawer comes in a user-friendly modern design, constructed and designed in concert with the users. Multi Drawer provides efficient solutions and appears with the best combination of personnel and operational safety, user friendliness and economy.

- Best possible safety for personnel
- Competitive
- Fewer operational stops
- Compact design
- Operationally dependable
- Minimum maintenance
- Possibility of rebuilding while in operation

Optimum utilisation of the space in the panel

The Multi Drawer is designed with optimum utilisation of the space in the panel and with possibility of choosing drawers in sizes from 16 A to 630 A.

The MD-drawers are prepared for installation of all bus systems on the market, incl. future use of Ethernet.

The MD-drawers are delivered with:

- Main plug, 3P or 4P
- Holes for component installation, etc.
- Alignment connections
- Interlock
- Fixed or hinged front
- Physical sizes from 1x1 to 3x3 modules



...Simplicity ...Control ... Versatility
- Operational safety & dependability



Standards, tests and approvals

CUBIC pays much attention to both personal safety and operational dependability and therefore, we currently carry out tests that are demanded by the market, such as earthquake test, shock test and arcing test.

The CUBIC products are all tested and/or type approved by several of the world's most recognised test laboratories.

CUBIC products are all tested according to both IEC 60439 and IEC 61439.

Degree of protection

The MD-drawers are available in:

- Up to IP54, enclosure
- Up to IP30 with shutter, internal
- Up to IP20 without shutter, internal

Internal separation

The MD-drawers are available in:

- Form 3b or 4b

The Modular System

Multi Drawer is based on CUBIC's internationally recognised modular system. The modular system is one of the most versatile systems available for switchboards as well as to ensure the operation of electrical equipment.

MD configuration

The MD can be constructed in configurations from WFF to WWW.

WFF	WFW	WWF	WWW
WDD	WDW	WWD	

With seven combination possibilities for the main plug, plug outlet and aux. plug, the system can be adjusted to the customer's requirements to both operational and personnel safety.



New features - Multi Drawer

The new generation of Multi Drawer comes with key features that are designed for the benefit of the end-user.

The Multi Drawer stands out. It is based on the very best from the previous version complemented with new key features that make Multi Drawer a system of advantages.

The new generation Multi Drawer meets the wishes and requirements of the end-user.

New features:

- House in only three parts
- 40A 1.5x1 drawer
- Push button with integrated lock
- Covering MDA
- Closing method for door version

Further to the features listed above, Multi Drawer provides a range of other improvements:

- Improved inlet and outlet adaptors
- Left side outlet
- Larger holes for cables in the house
- Hole for rear assembling
- Dividing plate with hook
- Auxiliary plug
- Simplified holder for blind plate
- Reinforced bottom plate
- New rear plate
- Changed interlock
- DVHS for rear connection



Push button

Custom designed push button with integrated padlocking.



40A 1.5x1 drawer

The 40A drawer for increased competitiveness.



Covering MDA

The shape curved covering is fitted without screws.



Closing method - door version

Simplified closing method with only one padlock for locking.



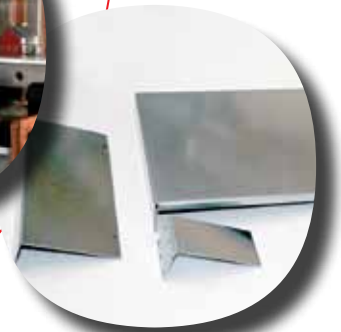
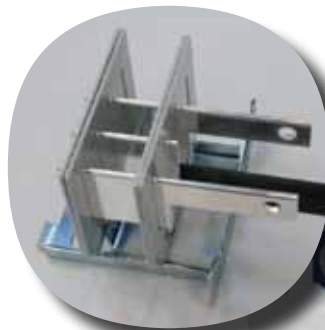
House

The house is assembled from only three parts.

Multi Drawer - Optional accessories

With the focus on maximum versatility, it is possible to add a range of accessories to the MD drawers aimed at fulfilling the requested needs and wishes.

- Cable boxes for Multi Drawer
- Auxiliary circuits (control)
- Outlet plug
- Aux. switch
- Position indication
- Mounting plates
- Coding



Technical data

Material/basic treatment:

Electro-galvanized or iron-phosphated steel plate

Surface/colour:

Powder-lacquered, colour RAL 7035

Standards and approvals:

IEC/EN 60439 / IEC 61439

Rated voltage (Ue):

Up to 1000 V; 50 Hz

Test voltage:

Up to 3.5 kV

Main busbar:

(horizontal busbars)

Rated current, I at 30K:

Up to 6300 Amps

Short-time withstand current, I_{sw}:

Up to 120 kA

Peak withstand current, I_{pk}:

Up to 264 kA

Distribution busbar:

(vertical busbars)

Rated current, I at 30K:

Up to 1800 Amps

Short-time withstand current, I_{sw}:

Up to 80 kA

Peak withstand current, I_{pk}:

Up to 176 kA

Drawers:

(functional units)

Internal separation:

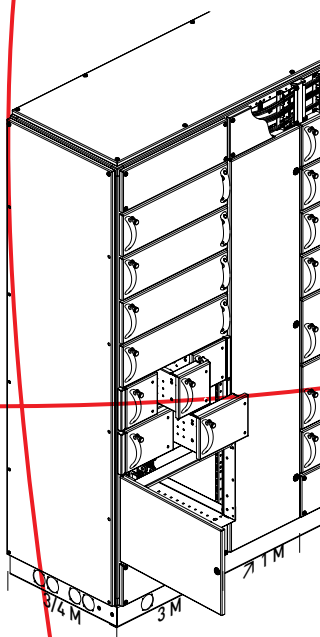
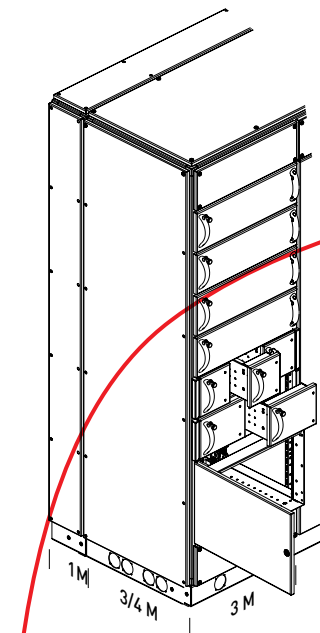
Form 3b or Form 4b

Degree of protection:

Up to IP54, enclosure

Up to IP30 with shutter, internal

Up to IP20 without shutter, internal



Size	Rated current, I _n	Cut off current Limited peak	Joule integrale I ² t	Prospective short-circuit, I _{cc}
1x1 M	Up to 40 A	Up to 15.4 kA	Up to 1.17x10 ⁶ A ² S	Up to 120 kA
1.5x1 M	Up to 200 A	Up to 34.9 kA	Up to 6.25x10 ⁶ A ² S	Up to 120 kA
3x1 M	Up to 630 A	Up to 71.0 kA	Up to 1.97x10 ⁷ A ² S	Up to 120 kA
3x1.5 M	Up to 630 A	Up to 71.0 kA	Up to 1.97x10 ⁷ A ² S	Up to 120 kA
3x2 M	Up to 630 A	Up to 71.0 kA	Up to 1.97x10 ⁷ A ² S	Up to 120 kA
3x3 M	Up to 630 A	Up to 71.0 kA	Up to 1.97x10 ⁷ A ² S	Up to 120 kA

CUBIC-Modulsystem A/S
 Skjoldborgsgade 21
 9700 Broenderslev
 Denmark
 Tel +45 9882 2400
 Fax +45 9882 3530
 E-mail: info@cubic.eu
 www.cubic.eu

CUBIC