

Single Function Safety Relay

Added safety for your E-Stop

SAFETY



What is your E-Stop connected to?



Single function safety relay

Why is it important to know what your E-Stop is connected to?

In NZ, the 'Best Practices Guideline' document for Safe Machinery by WorkSafe NZ, Section 8.1.7 provides guidance on E-Stop systems and states that the E-Stop systems should not be affected by electrical or electronic circuit failure.

How do you comply with the Regulations?

The most common way to design your system to avoid failure due to electrical/electronic malfunction is to wire your E-Stop to a certified safety relay. Figure 1 shows a typical system design for an E-Stop function. This system shows the E-Stops wired with 2 channels into a single function safety relay, which interrupts power to the machine motor via dual contactors wired in series.

System Capabilities

- The system is dual channel, thus if a malfunction occurs on one channel, the other channel will continue the stop function
- The safety relay will monitor the E-Stop and contactors for fault and won't allow machine operation until failed components are replaced/fixd
- The safety relay will also perform the reset function for the E-Stop, this is a requirement of Australian Standard AS 4024.1

• Which safety relay?

For a system such as Figure 1, use the single function safety relay 440RS12R2.



E-Stop twist to release

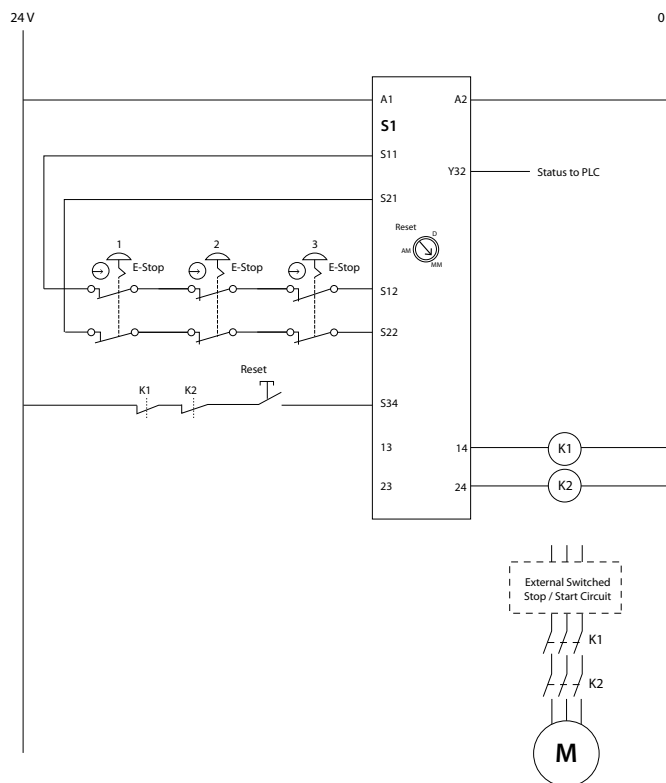


Figure 1 - Typical E-Stop function for a machine



NHP Electrical Engineering Products Pty Ltd
A.B.N. 84 004 304 812

NNTUESTOPCONNZF 11 15
© Copyright NHP 2015

AUSTRALIA

nhp.com.au

SALES
1300 NHP NHP

Melbourne
Laverton
Albury/
Wodonga
Dandenong

Hobart
Launceston
Sydney
Newcastle
Wollongong

Canberra
Brisbane
Townsville
Rockhampton
Toowoomba

Cairns
Adelaide
Perth
Darwin

NEW ZEALAND

nhp-nz.com

SALES
0800 NHP NHP

Auckland
Hamilton
Napier
New Plymouth
Wellington

Christchurch
Dunedin



For more information, scan to download the NHP eCatalogues App offering exclusive video content, catalogues and literature!



Authorised Distributor