



# Safe-T series RCBO

Single pole width residual current circuit breaker

POWER DISTRIBUTION



Single pole width residual current circuit breaker complete with integrated adaptor to suit Eaton or Heinemann chassis.

Ideal for retro fits into existing boards minimising downtime and maximising turnaround time.

- Standards: AS3111, AS3190
- Approval no. N15251
- Voltage 240 V AC 50/60 Hz
- 6 kA short-circuit protection
- Available in 30 mA
- Retrofit MCB with RCBO (no extra space required)
- No chassis or busbar modification required

# Safe-T Series RCBO

SRCB units offer overload, short-circuit and earth leakage protection in a single pole units. Overload protection is available in 10A, 16A and 20A. Short-circuit protection up to 6kA. Earth leakage protection is provided by built-in electronic core balance device available in 30mA sensitivity.

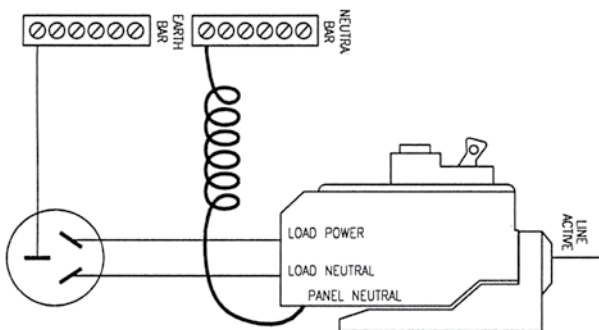
### Application

SRCB are suitable for use in single phase general light and power distribution boards. The size of the unit makes it possible to simply replace a miniature circuit breaker without taking up any extra space on busbar chassis. This makes the SRCB ideal for retro fits into existing boards minimising downtime and maximising turn-around time. Perfect for Schools, offices, warehouse, shops and larger scales retrofits.

There are 2 versions available to suit either Eaton panel-boards or Heinemann panelboards that allow quick re-placement of MCBs without modification to the busbar chassis system.



### Connection diagram



### SRCB - Residual current circuit breakers

Description	Amps	Sensitivity	Catalogue No.
SRCB RCBO 1P (25mm) Heinemann	10A	30mA	<b>SRCB1030HA</b>
SRCB RCBO 1P (25mm) Heinemann	16A	30mA	<b>SRCB1630HA</b>
SRCB RCBO 1P (25mm) Heinemann	20A	30mA	<b>SRCB2030HA</b>
SRCB RCBO 1P (25mm) Eaton	10A	30mA	<b>SRCB1030WA</b>
SRCB RCBO 1P (25mm) Eaton	16A	30mA	<b>SRCB1630WA</b>
SRCB RCBO 1P (25mm) Eaton	20A	30mA	<b>SRCB2030WA</b>

