



Solar PV 32A 1000V DC

Durable isolators designed for the harshest Australian environments

POWER DISTRIBUTION AND PROTECTION



- Fully compliant with AS/NZS4417.2. Suitable to be used throughout Australia and New Zealand
- Superior temperature performance, conforming to AS5033:2014 4.3.5.1 Long lasting service life and reliable switching
- Robust IP66 Aluminum enclosure Best protection against damaging moisture ingress and UV exposure
- 1000V DC rating per pole to AS5033:2014 Maintaining reliability and safety when used with transformerless inverters
- External earthing stud on enclosure

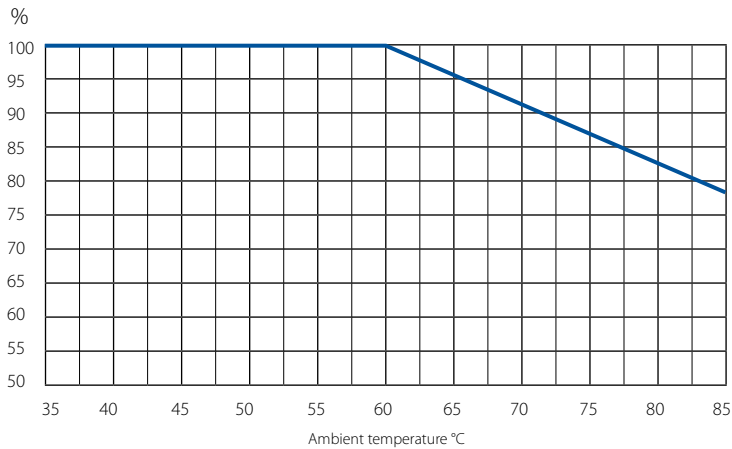


Note: 32A is rated 4 contacts (1 pole) in series under 1000V DC

Features:

- 1000V DC per pole DC-21B
- Aluminium enclosure
- Operates at an ambient of 85° C max in accordance with AS5033:2014 4.3.5.1
- IP66 rated in all mounting directions* once correctly installed
- Padlockable in OFF position with up to three locks
- Door interlock with defeat mechanism
- Suits single string transformerless inverter applications
- UV and chemical resistance
- Threaded metal plugs available. Cat. No. ISOM25TT
- Non-polarised
- Marked 'PV ARRAY DC ISOLATOR' in accordance with AS/NZS 5033:2014 Appendix A
- In the case of higher ambient temperature de-rating shall be defined by the curve below
- The operating temperature is -40° C to +60° C at rated current
- Complies with AS/NZS 5033:2014 and IEC60947-3
- E.g. @ 85° C, 0.79 x 32A = 25A (Approx. 6 kW Max.)
- Earthing point accessible internally and externally

Derating curve



For non - isolated inverter only

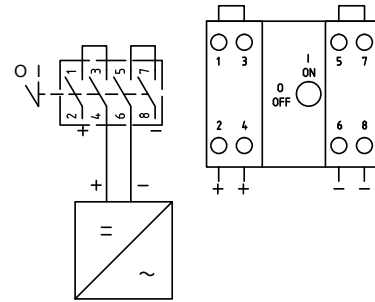
2 Pole**

| DC-PV2 / DC-21B (A@400V) | DC-PV2 / DC-21B (A@500V) | DC-PV2 / DC-21B (A@600V) | DC-PV2 / DC-21B (A@800V) | DC-PV2 / DC-21B (A@1000V) |
|--------------------------|--------------------------|--------------------------|--------------------------|---------------------------|
| 25A / 32A | 25A / 32A | 12A / 32A | 10A / 25A | 10A / 25A |

* IP rating needs to be maintained upon installation.

** 2 contacts per pole

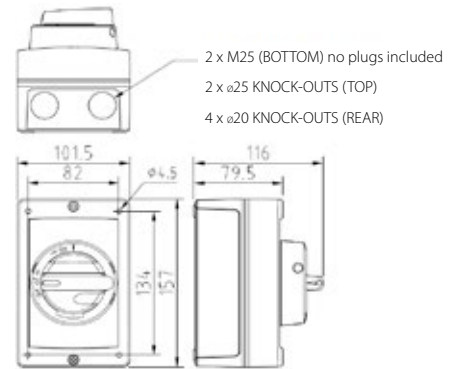
Wiring diagrams



2 Pole** - 25A max@1000VDC DC-21B

-10A max@1000VDC DC-PV2

PVA 432 - Aluminium enclosed



| Enclosure Type | Catalogue No. |
|---------------------|---------------|
| A2, aluminium, grey | PVA432 |



NHP Electrical Engineering Products
A.B.N. 84 004 304 812
NHP100458 07/18

AUSTRALIA
nhp.com.au
SALES 1300 NHP NHP
sales@nhp.com.au

NEW ZEALAND
nhp-nz.com
SALES 0800 NHP NHP
sales@nhp-nz.com



For more information, scan to download the NHP eCatalogues App offering exclusive video content, catalogues and literature