

A new addition to NHP's Surge Protection range

CPT-PSC3-25-400IR




Features

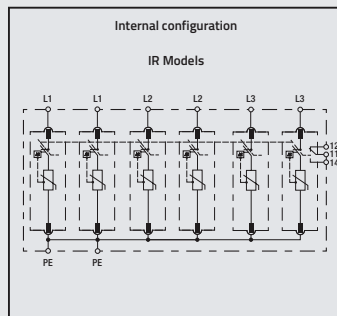
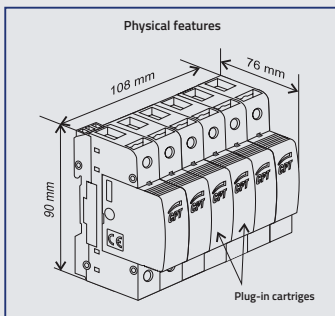
- I_{msc} 200kA maximum surge current rating
- 3 Pole device
- IEC 61643 Type 1+2
 - Type 1 - 10/350 μ s tested at highest rating to earth
 - Type 2 - 8/20 μ s tested at highest rating currents
- I_{typ} additionally tested 200 times at 20kA 8/20 μ s
- Flag and MOV Status contacts
- Pluggable Cartridges
- Reversible Base

Benefits

- High Robustness
- For use within 10m of the MEN Link
- Maximum Surge Protection from direct light strikes
- Maximum Protection against induced surge
- Increased Longevity against Typical Surge Events
- Remote Lifetime Indication
- Easy and Quick Replacement
- Installation in Multiple Orientations

Technical Features

IR Models		CPT-PSC3-25-400IR
IEC 61643-11 Designation		Class 1+2
Nominal voltage AC 50-60 Hz	U_n [V]	230 / 400
Maximum continuous operating voltage AC	U_c [V]	275
Lightning impulse current (10/350)	I_{imp} [kA]	25
Maximum surge current (8/20) - UL	I_{MSC} [kA]	200
Maximum surge current (8/20) - IEC	I_{MAX} [kA]	100
Nominal discharge current (8/20)	I_n [kA]	25
Typical discharge current (8/20)	I_{Typ} [kA]	20kA x 200
Voltage protection level at I_n	U_p [kV]	≤1.5
Maximum backup fuse	[A gL]	315
Short circuit capacity	I_{cc} [kA]	25
Response time (L-PE)	t_A [ns]	25
Insulating material & flammability class		PA66 CT1; V-0
Remote monitoring		IR models
End of life indication		Yes
Dynamic thermal disconnection (L-PE)		Yes
Certifications		CE 



NHP Electrical Engineering Products
 A.B.N. 84 004 304 812
 NHP91657 - 01/18
 © Copyright NHP 2018

AUSTRALIA
 nhp.com.au
 SALES 1300 NHP NHP
 sales@nhp.com.au

NEW ZEALAND
 nhp-nz.com
 SALES 0800 NHP NHP
 sales@nhp-nz.com



For more information, scan to download the NHP eCatalogues App offering exclusive video content, catalogues and literature