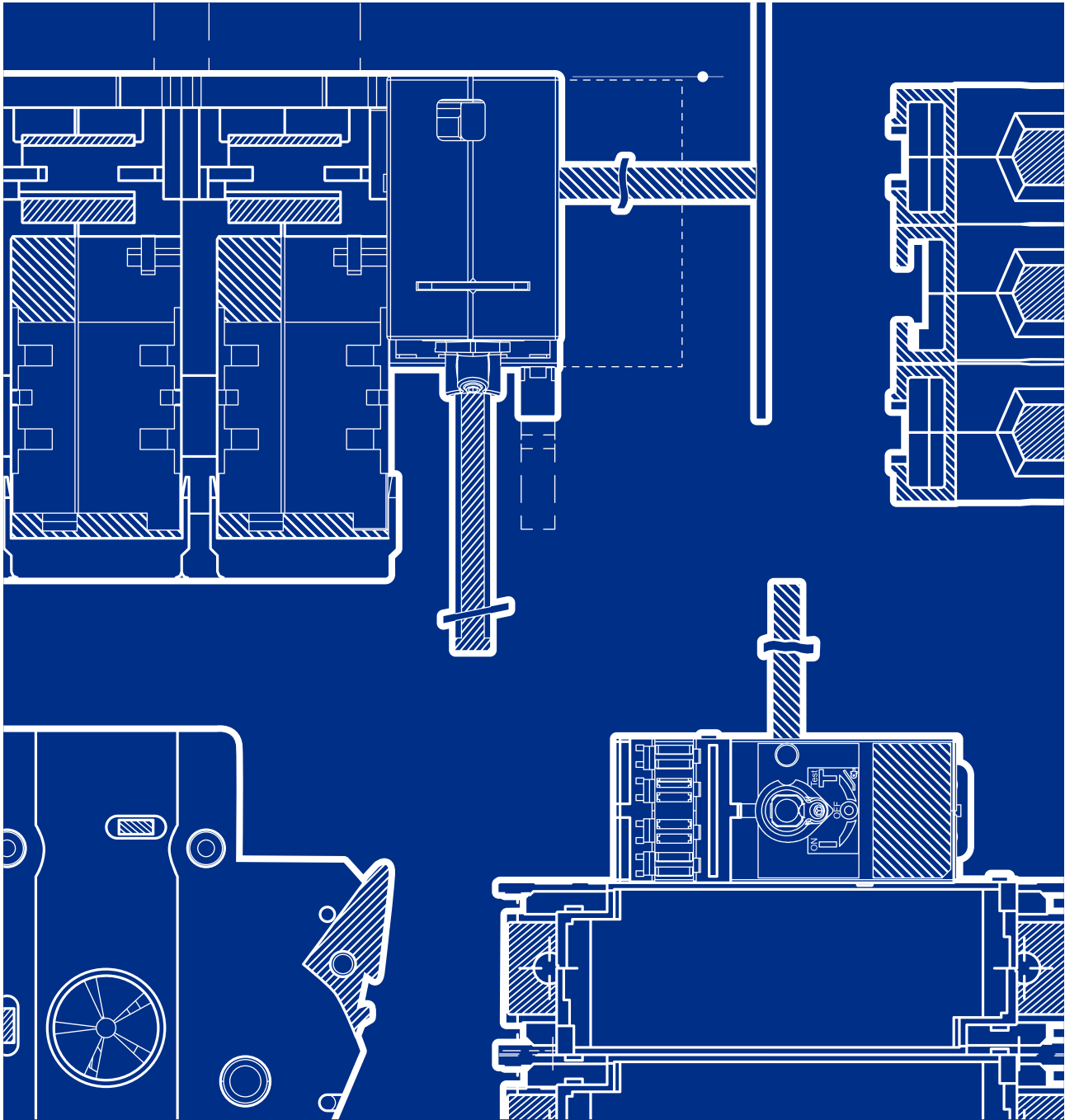
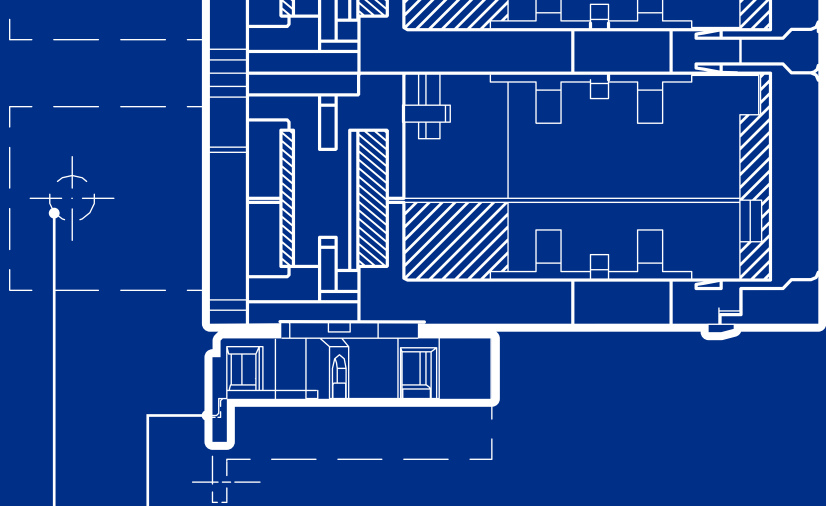
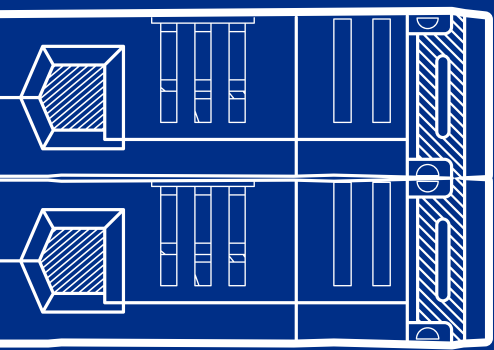


Power Distribution and Protection

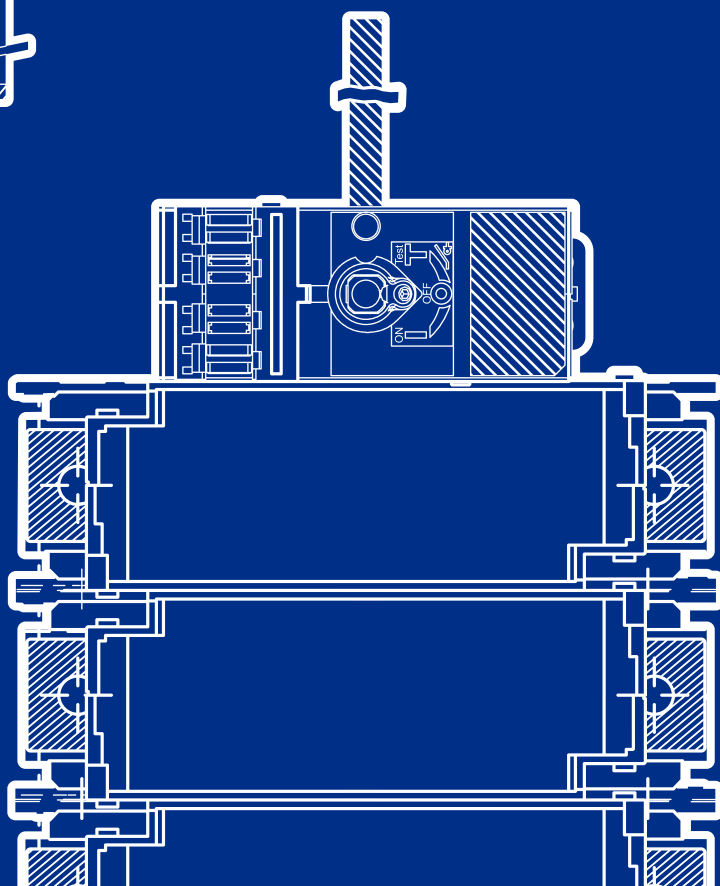
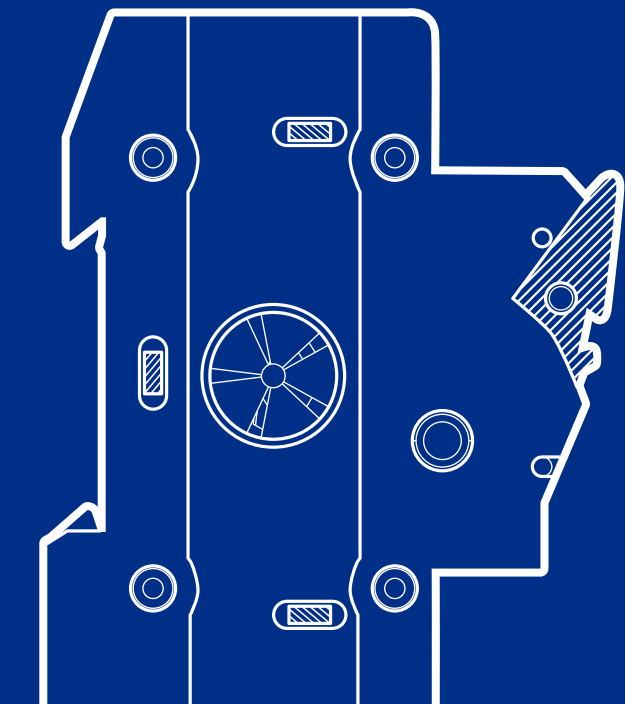
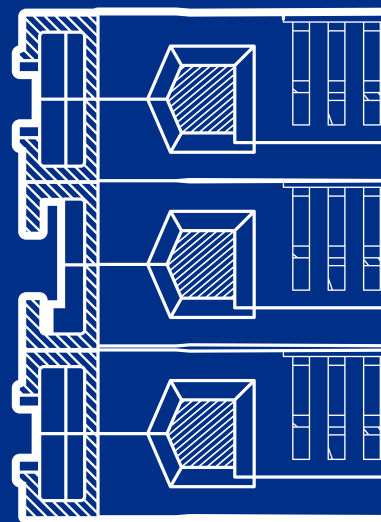
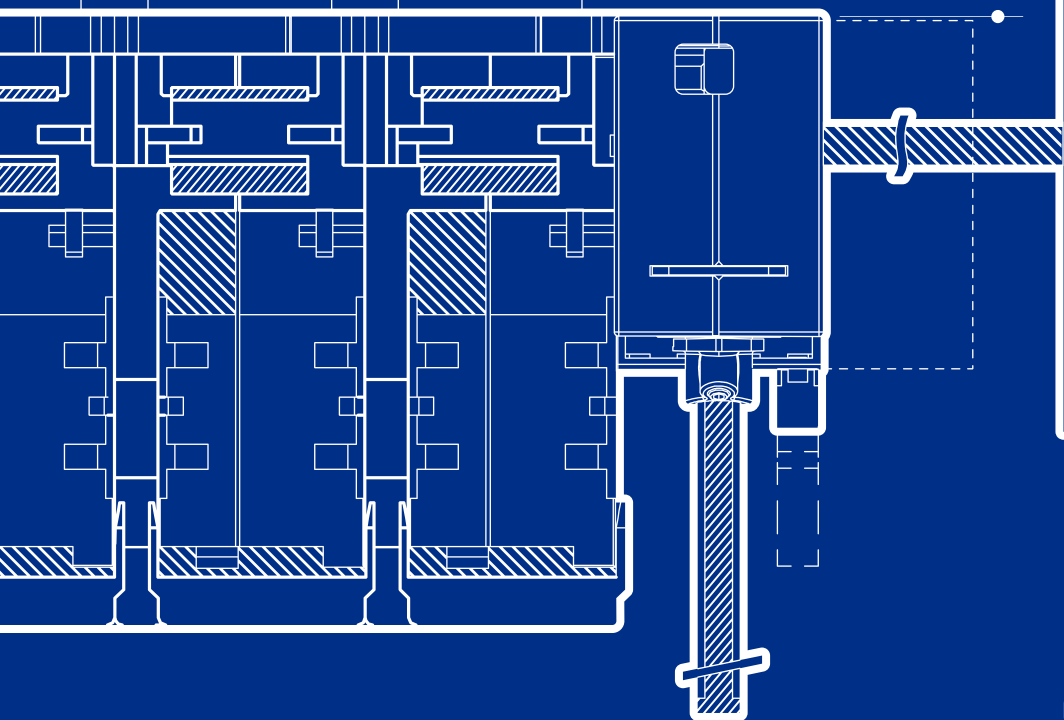
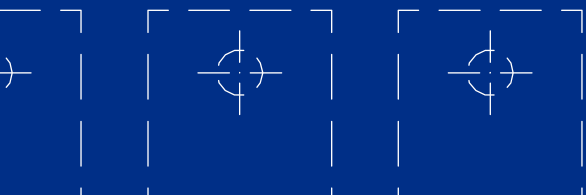
Circuit Protection



Fuses and Bases



2 1



2 Fuses and Bases

| | |
|---|-----|
| DIN Cylindrical Fuses 500 V AC / 690 V AC Selection Guide | 4 |
| DIN Cylindrical Fuse Holders 690 V AC Selection Guide | 5 |
| DIN Fuse Link 500 V AC / 690 V AC Selection Guide | 6 |
| DIN Fuse Link Bases and Fuse Switches Selection Guide | 6 |
| BS Fuse Links Selection Guide | 8 |
| BS Fuse Links Base Selection Guide | 8 |
| DIN Fuse Link Accessories | 44 |
| DIN Fuse Bases and Accessories | 45 |
| DIN Fuse Switch Disconnectors | 49 |
| DIN Fuse Switch Disconnect - Accessories | 63 |
| DIN Switch Fuses | 65 |
| DIN Switch Fuse Accessories | 75 |
| BS Standard Switch Fuses | 113 |
| BS Standard Switch Fuse Accessories | 124 |

DIN Cylindrical Fuses 500 V AC / 690 V AC Selection Guide

gG



aM



| | | |
|--------------------|------------------------------|------------------|
| Class | gG | aM |
| Application | General and Motor Protection | Motor Protection |
| Current Rating | 1 to 100 A | 1 to 100 A |
| Fault Interruption | 80 to 200 kA | 80 to 200 kA |
| Voltage Rating | 415 to 690 V AC | 415 to 690 V AC |
| Striker | No | No |
| Page Number | 9 | 9 |

| DIN Cylindrical Fuse Holders 690 V AC Selection Guide

DIN Rail Mountable



Switch Function Toggle switch, then remove fuse

Current Rating Suits cylindrical fuse links 1 to 100 A
Complies to DIN standard

Short Circuit Capacity Fuse links 120 kA

Voltage Rating 90 V AC / 600 V DC

Page Number **18**

DIN Fuse Link 500 V AC / 690 V AC Selection Guide

N000 / 00



N1



N2

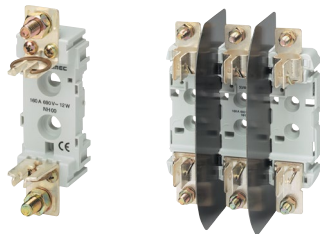


| | | | |
|--------------------|------------------------|------------------------|------------------------|
| Class | gG | gG | gG |
| Application | General Protection | General Protection | General Protection |
| Current Ratings | 6 A to 160 A | 16 A to 250 A | 35 A to 400 A |
| Fault Interruption | 120 kA | 120 kA | 120 kA |
| Voltage Rating | 500 V | 500 V | 500 V |
| Striker | Standard stock without | Standard stock without | Standard stock without |
| Page Number | 22 | 22 | 22 |

DIN Fuse Link Bases and Fuse Switches Selection Guide

Select a fuse base to fit

DIN Fuse Bases



DIN Fuse Switch Disconnects



| | | |
|------------------------|--------------------|--|
| Switch Function | No switch function | Push / Pull handle to switch |
| Utilisation Category | N/A | Up to AC - 23 B @ 400 V AC - 22 B @ 690 V |
| Current Rating | 160 A to 630 A | 100 A to 630 A |
| Short Circuit Capacity | 100 kA | 50 kA @ 690 V AC (gG) |
| Voltage Rating | 690 V | 690 V |
| Page Number | 44 | 50 |

N3



gG

General Protection

315 A to 800 A

120 kA

500 V

Standard stock without

22

N4



gG

General Protection

800 A to 1250 A

120 kA

500 V

Standard stock without

22

690 V DIN Range



gG and aM

General and Motor Protection

2 A to 630 A

120 kA

690 V

Optional

33

DIN Standard Switch Fuses (SSF DN)



Rotatory handle switch

Up to AC - 23 B @ 690 V
DC - 23 B @ 440 V DC

63 A to 1250 A

120 kA @ 415 V AC,
80 kA @ 690 V AC

690 V

65

BS Fuse Links Selection Guide

Clip-In Offset Tag



Bolt-In Offset Tag



Bolt-In Centre Tag



| | | | |
|--------------------|------------------------------|------------------------------|------------------------------|
| Class | gG and gM | gG and gM | gG and gM |
| Application | General and Motor Protection | General and Motor Protection | General and Motor Protection |
| Current Rating | 2 A to 63 A | 2 A to 200 A | 2 A to 1250 A |
| Fault Interruption | 80 kA | 80 kA | 80 kA |
| Voltage Rating | 415 to 500 V | 415 to 500 V | 415 to 550 V |
| Striker | No | No | No |
| Page Number | 86 | 92 | 103 |

BS Fuse Links Base Selection Guide

Select a fuse base to fit

NV



NC



BS SSF (SSFBS)



| | | | |
|------------------------|------------------|------------------|---------------------------------------|
| Switch Function | Push / Pull | Push / Pull | Rotary Handle Switch |
| BS Fuse Type | Clip-in Offset | Bolt-in | Bolt-in |
| Current Rating | 2 to 63 A | 2 to 125 A | 2 to 1250 A |
| Short Circuit Capacity | 80 kA @ 550 V AC | 80 kA @ 550 V AC | 20 kA @ 415 V AC, 80 kA @ 690 V AC |
| Voltage Rating | 550 V AC | 550 / 690 V AC | 690 V AC |
| Page Number | 80 | 83 | 115 |



DIN Cylindrical Fuses - AC



- ✓ Complies with IEC 60269-2
- ✓ 1 to 125 A range
- ✓ Type gG for general, cable, line and motor protection
- ✓ Type aM specifically for motor protection
- ✓ Type gR specifically for semiconductor protection
- ✓ 80 and 120 fault interruption capacities
- ✓ 415 V AC to 690 V AC ratings



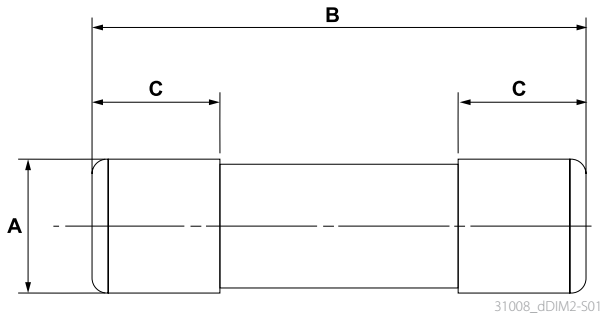
General

| | | |
|--|----------------------------|--------|
| Un, Nominal Operational Voltage, AC | 400 / 500 / 690 V AC | |
| Ue, Rated Operational Voltage, AC | 400 / 500 / 690 V AC | |
| Ue, Rated Operational Voltage, DC, Max | 440 | V DC |
| Uimp, Impulse Withstand Voltage | 6 | kV |
| Maximum Operating Temperature With Derating | 70 | °C max |
| Standards Compliance | IEC 60269-1 IEC 60269-2 | |
| Certifications | CE | |

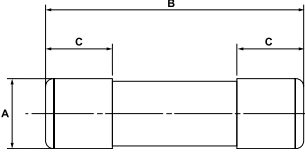


Dimensions for Cylindrical Fuse Links (mm)

Fuses and Bases



| Size (mm) | A | B | C | Weight (kg) |
|-----------|----|----|-----|-------------|
| 10 x 38 | 10 | 38 | 8.5 | 0.06 |
| 14 x 51 | 15 | 51 | 11 | 0.19 |
| 22 x 58 | 22 | 58 | 16 | 0.5 |



31008_dDIM2-501



DIN Cylindrical Fuses - gG, No Striker

| Fuse Rating (A) | Cartridge Size | AC Voltage Rating (V AC) | Fuse Type | Breaking Capacity @ Rated Voltage (kA) | Power Cons. (W) | Weight (kg) | Striker | Catalogue No. |
|-----------------|----------------|--------------------------|-----------|--|-----------------|-------------|------------|---------------|
| 1 | 10 x 38 | 500 | gG | 120 | 0.5 | 0.06 | No Striker | FR10GG50V1 |
| 2 | 10 x 38 | 500 | gG | 120 | 0.6 | 0.06 | No Striker | FR10GG50V2 |
| 4 | 10 x 38 | 500 | gG | 120 | 0.7 | 0.06 | No Striker | FR10GG50V4 |
| 6 | 10 x 38 | 500 | gG | 120 | 0.8 | 0.06 | No Striker | FR10GG50V6 |
| 10 | 10 x 38 | 500 | gG | 120 | 1 | 0.06 | No Striker | FR10GG50V10 |
| 16 | 10 x 38 | 500 | gG | 120 | 1.6 | 0.06 | No Striker | FR10GG50V16 |
| 20 | 10 x 38 | 500 | gG | 120 | 2 | 0.06 | No Striker | FR10GG50V20 |
| 32 | 10 x 38 | 415 | gG | 120 | 2.9 | 0.06 | No Striker | FR10GG50V32 |
| 20 | 14 x 51 | 690 | gG | 80 | 2.5 | 0.019 | No Striker | FR14GG69V20 |
| 32 | 14 x 51 | 500 | gG | 80 | 3.5 | 0.019 | No Striker | FR14GG50V32 |
| 40 | 14 x 51 | 500 | gG | 120 | 4.8 | 0.019 | No Striker | FR14GG50V40 |
| 50 | 14 x 51 | 415 | gG | 120 | 4.9 | 0.019 | No Striker | FR14GG50V50 |
| 40 | 22 x 58 | 690 | gG | 80 | 4.5 | 0.05 | No Striker | FR22GG69V40 |
| 50 | 22 x 58 | 690 | gG | 80 | 5.2 | 0.05 | No Striker | FR22GG69V50 |
| 63 | 22 x 58 | 690 | gG | 80 | 6.9 | 0.05 | No Striker | FR22GG69V63 |
| 80 | 22 x 58 | 690 | gG | 80 | 7.8 | 0.05 | No Striker | FR22GG69V80 |
| 100 | 22 x 58 | 500 | gG | 120 | 8.6 | 0.05 | No Striker | FR22GG50V100 |
| 125 | 22 x 58 | 500 | gG | 120 | 8.6 | 0.05 | No Striker | FR22GG50V125 |

DIN Cylindrical Fuses - gG, With Striker

| Fuse Rating (A) | Cartridge Size | AC Voltage Rating (V AC) | Fuse Type | Breaking Capacity @ Rated Voltage (kA) | Power Cons. (W) | Weight (kg) | Striker | Catalogue No. |
|-----------------|----------------|--------------------------|-----------|--|-----------------|-------------|--------------|---------------|
| 4 | 14 x 51 | 500 | gG | 120 | 1.8 | 0.019 | With Striker | 60520004 |
| 16 | 14 x 51 | 500 | gG | 120 | 2.1 | 0.019 | With Striker | 60520016 |
| 20 | 14 x 51 | 500 | gG | 120 | 2.6 | 0.019 | With Striker | 60520020 |
| 25 | 14 x 51 | 500 | gG | 120 | 2.9 | 0.019 | With Striker | 60520025 |
| 32 | 22 x 58 | 500 | gG | 120 | 0.3 | 0.05 | With Striker | 60520032 |
| 40 | 22 x 58 | 500 | gG | 120 | 0.5 | 0.05 | With Striker | 60520040 |
| 50 | 22 x 58 | 500 | gG | 120 | 0.65 | 0.05 | With Striker | 60520050 |

DIN Cylindrical Fuses - aM, No Striker

| Fuse Rating (A) | Cartridge Size | AC Voltage Rating (V AC) | Fuse Type | Breaking Capacity @ Rated Voltage (kA) | Power Cons. (W) | Weight (kg) | Striker | Catalogue No. |
|-----------------|----------------|--------------------------|-----------|--|-----------------|-------------|------------|---------------|
| 1 | 10 x 38 | 690 | aM | 120 | 0.7 | 0.019 | No Striker | 60130001 |
| 4 | 10 x 38 | 690 | aM | 120 | 0.8 | 0.019 | No Striker | 60130004 |
| 6 | 10 x 38 | 690 | aM | 120 | 0.85 | 0.05 | No Striker | 60130006 |
| 16 | 10 x 38 | 690 | aM | 120 | 3.6 | 0.05 | No Striker | 60130016 |
| 20 | 10 x 38 | 690 | aM | 120 | 3.7 | 0.05 | No Striker | 60130020 |
| 1 | 14 x 51 | 690 | aM | 120 | 6.9 | 0.05 | No Striker | 60230001 |
| 4 | 14 x 51 | 690 | aM | 120 | 8.6 | 0.05 | No Striker | 60230004 |
| 6 | 14 x 51 | 690 | aM | 120 | 3.5 | 0.05 | No Striker | 60230006 |
| 8 | 14 x 51 | 690 | aM | 120 | 4.8 | 0.05 | No Striker | 60230008 |
| 10 | 14 x 51 | 690 | aM | 120 | 4.9 | 0.05 | No Striker | 60230010 |
| 16 | 14 x 51 | 690 | aM | 120 | 2.3 | 0.05 | No Striker | 60230016 |



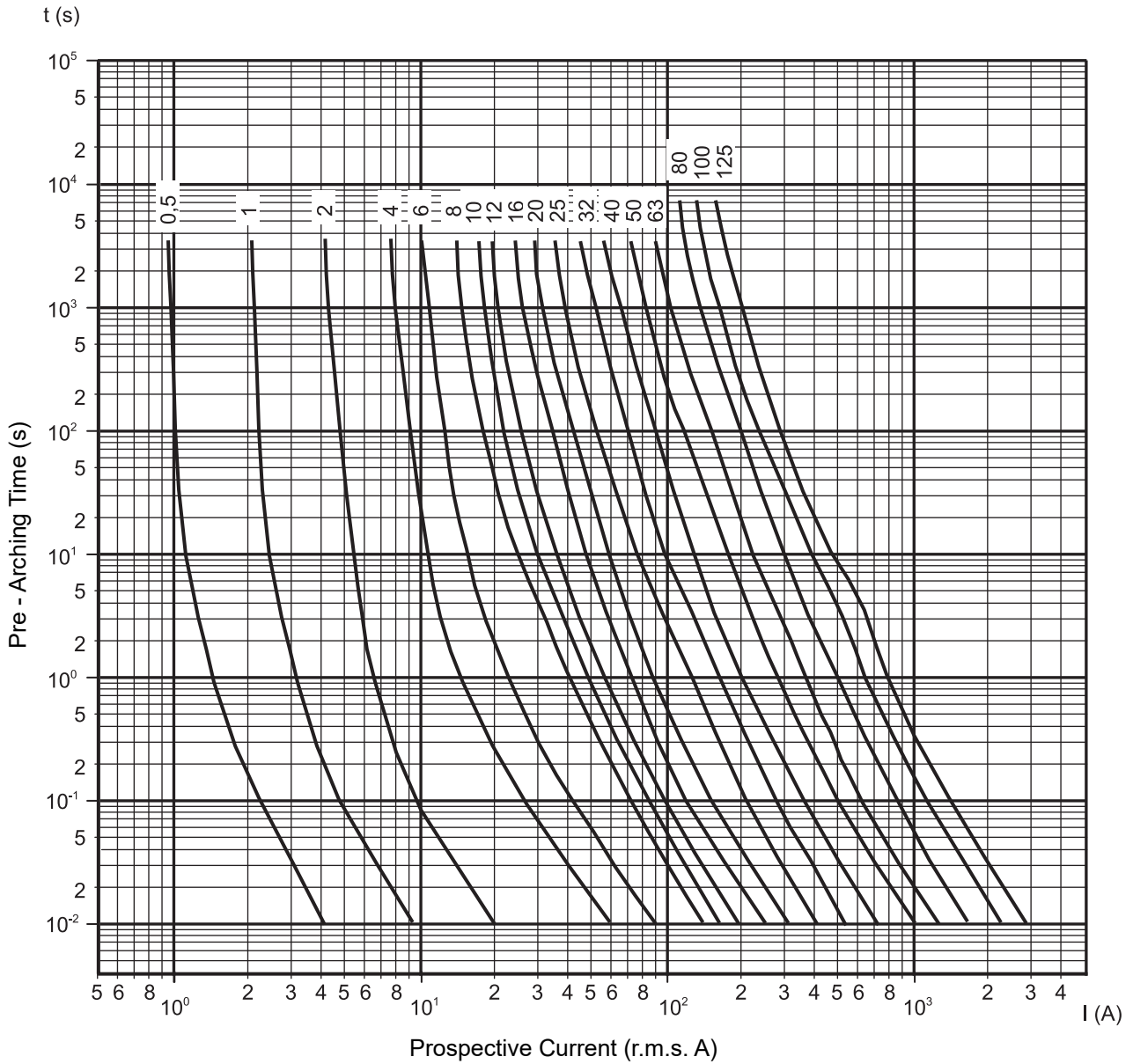
DIN Cylindrical Fuses - aM, With Striker

| Fuse Rating (A) | Cartridge Size | AC Voltage Rating (V AC) | Fuse Type | Breaking Capacity @ Rated Voltage (kA) | Power Cons. (W) | Weight (kg) | Striker | Catalogue No. |
|-----------------|----------------|--------------------------|-----------|--|-----------------|-------------|--------------|---------------|
| 2 | 22 x 58 | 500 | aM | 120 | 0.75 | 0.05 | With Striker | 60530002 |
| 4 | 22 x 58 | 500 | aM | 120 | 0.85 | 0.05 | With Striker | 60530004 |
| 6 | 22 x 58 | 500 | aM | 120 | 1 | 0.05 | With Striker | 60530006 |
| 16 | 22 x 58 | 500 | aM | 120 | 1.4 | 0.05 | With Striker | 60530016 |
| 20 | 22 x 58 | 500 | aM | 120 | 1.7 | 0.05 | With Striker | 60530020 |
| 32 | 22 x 58 | 500 | aM | 120 | 2 | 0.05 | With Striker | 60530032 |
| 40 | 22 x 58 | 500 | aM | 120 | 2.6 | 0.05 | With Striker | 60530040 |



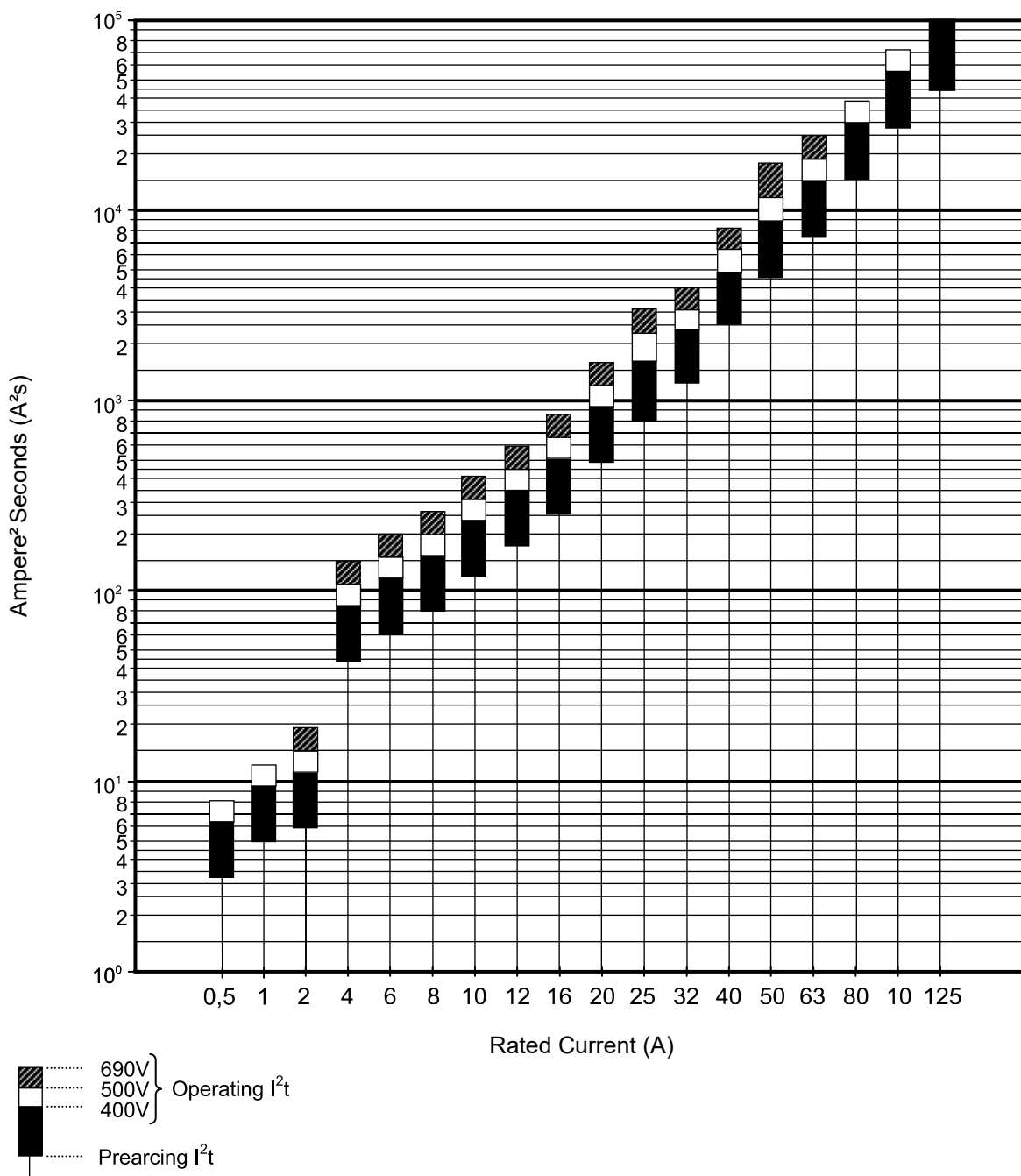
Time-Current Curves, Class gG Fuse Links

Fuses and Bases





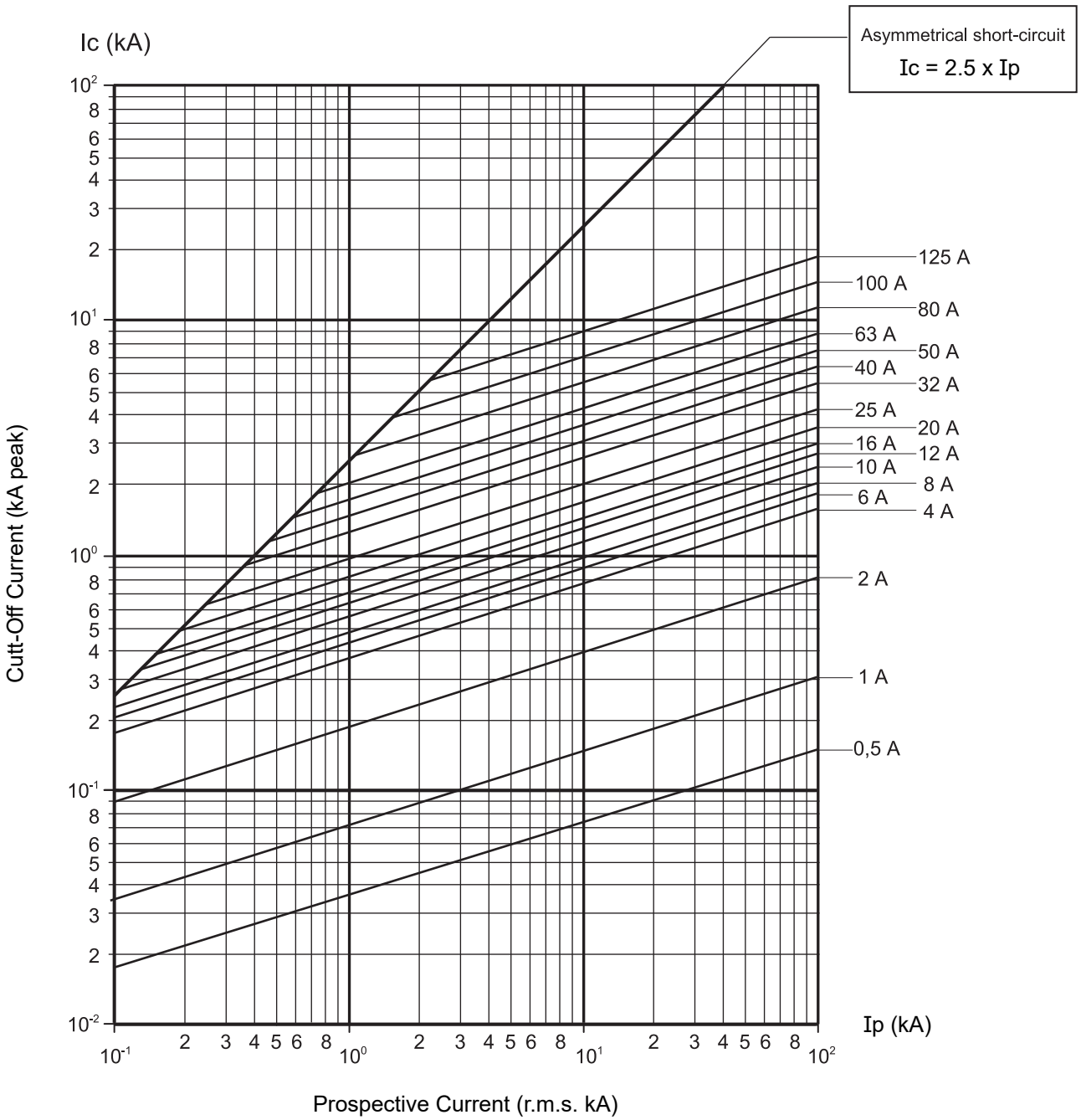
I²t Values - Class gG Fuse Links





Cut-Off Characteristics - Class of gG Fuse Links

Fuses and Bases





Compatible Cylindrical Fuse Holders

| | | | |
|---------------------------------------|---------|---------|---------|
| | CMC101 | CMS141 | CMS221 |
| Holder Types, 1, 2, and 3 Pole | CMC102 | CMS142 | CMS222 |
| | CMC103 | CMS143 | CMS223 |
| Fuse Sizes by Fuse Holder Type | 10 x 38 | 14 x 51 | 22 x 58 |

DIN Cylindrical Fuse Holders 690 V AC



- ✓ Toggle to disconnect circuit, then safely remove the isolated fuses
- ✓ Suits cylindrical fuse links 1 A to 100 A as per IEC / EN 60269-2200 kA fault rating
- ✓ Maximum operating voltage 690 V AC / 690 V DC
- ✓ Cable connection up to 35 mm² for wide range of installations
- ✓ Standard MCB profile to match other DIN profile electrical equipment
- ✓ DIN rail mount
- ✓ IP20

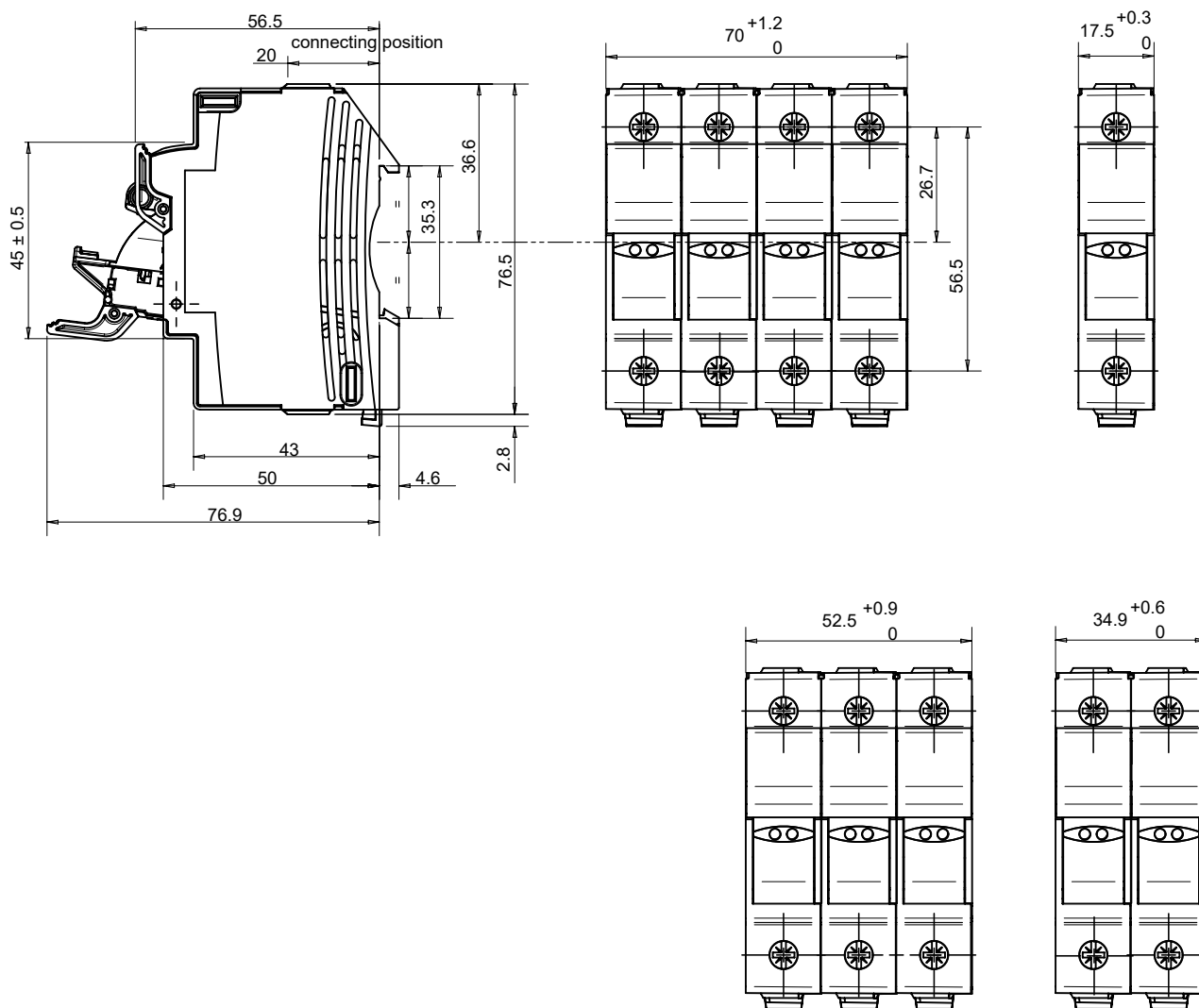


General

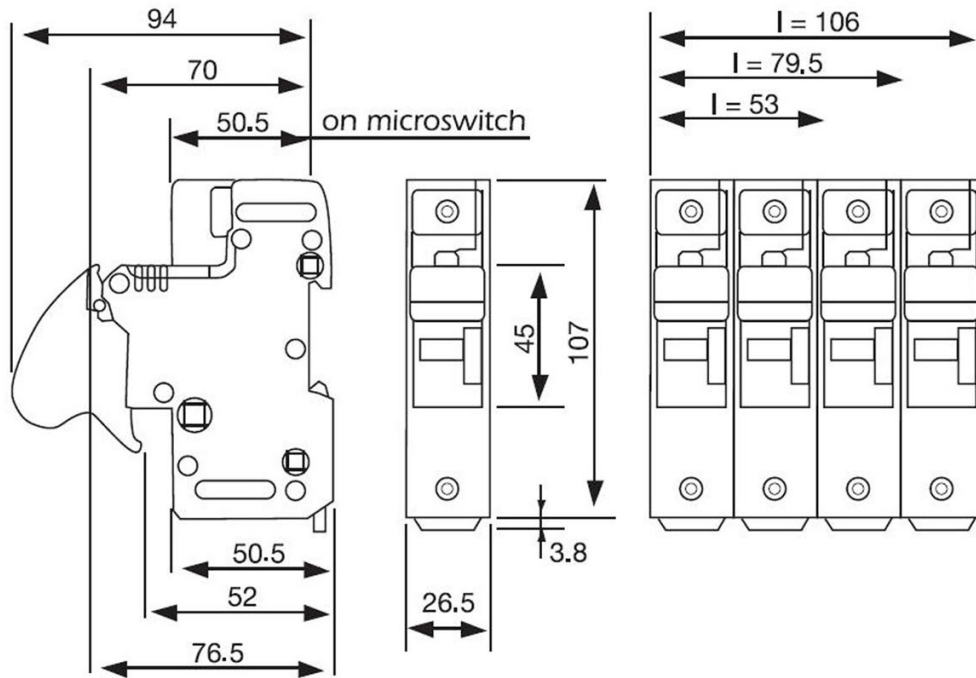
| | | |
|--|--|--------|
| Un, Nominal Operational Voltage, AC | 690 | V AC |
| Ue, Rated Operational Voltage, AC | 690 | V AC |
| Ue, Rated Operational Voltage, DC, Max | 690 | V DC |
| Uimp, Impulse Withstand Voltage | 6 | kV |
| Rated Peak Withstand Current 550 V | 80 | kA |
| Maximum Operating Temperature With Derating | 90 | °C max |
| IP Rating | IP20 | |
| Standards Compliance | DIEC 60947-2 IEC 60947-3 AS/NZS 60947-3 | |
| Certifications | Lloyd's DNV CE | |
| Service Information | Product is not repairable. Please contact your local NHP sales representative for assistance. | |



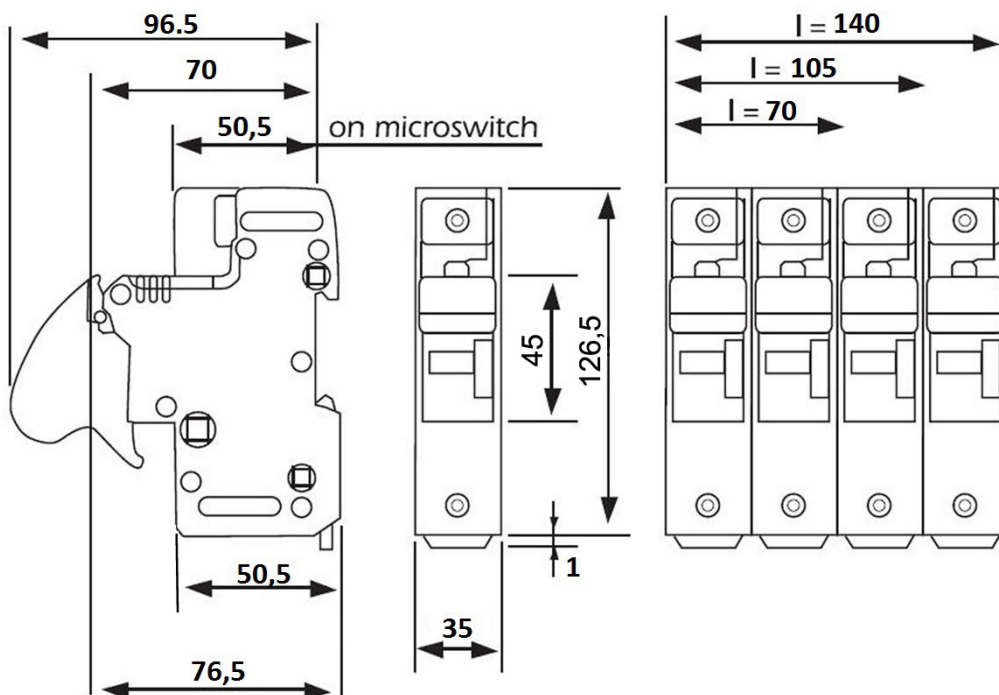
Dimensions for 32 A Fuse Holders (mm)



Dimensions for 50 A Fuse Holders (mm)



Dimensions for 100 A Fuse Holders (mm)





| Fuse Rating (A) | Poles | H x W x D (mm) | Ue Max (V AC) | Ue Max (V DC) | Catalogue No. |
|-----------------|-------|----------------|---------------|---------------|---------------|
| 32 | 1 | 81 x 18 x 58 | 690 | 440 | CMC101 |
| 32 | 2 | 81 x 36 x 58 | 690 | 440 | CMC102 |
| 32 | 3 | 81 x 54 x 58 | 690 | 440 | CMC103 |
| 32 | 4 | 81 x 72 x 58 | 690 | 440 | CMC104 |
| 50 | 1 | 96 x 27 x 69 | 690 | 440 | CMC141 |
| 50 | 2 | 96 x 54 x 69 | 690 | 440 | CMC142 |
| 50 | 3 | 96 x 81 x 69 | 690 | 440 | CMC143 |
| 100 | 1 | 112 x 36 x 70 | 690 | 440 | CMS221 |
| 100 | 2 | 112 x 72 x 70 | 690 | 440 | CMS222 |
| 100 | 3 | 112 x 108 x 70 | 690 | 440 | CMS223 |

Ratings Chart

| | CMC10 | CMS14 | CMS22 |
|--|--|--|--|
| Size | 10x38 | 14x51 | 22x58 |
| Number of poles/phases | 1, 1+N, 2, 3, 3+N, 4 | 1, 1+N, 2, 3, 3+N, 4 | 1, 1+N, 2, 3, 3+N, 4 |
| Conventional free air thermal current with fuse links I_{th} | 32 A | 50 A | 125 A |
| Max. power dissipation | 4 W | 5 W | 9.5 W |
| Utilisation category | AC20B/DC20B | AC20B/DC20B | AC20B/DC20B |
| Rated insulation voltage U_i | 1000 V | 690 V | 690 V |
| SCCR | 200 kA | 100 kA | 100 kA |
| Rated impulse withstand voltage U_{imp} | 6 kV | 8 kV | 8 kV |
| Degree of protection | IP 20 | IP 20 | IP 20 |
| Voltage limit for blown fuse indicator | - | - | - |
| Indication system | - | - | - |
| Operating temperature | -40°C to 70°C with carrier operation -50°C to 90°C without carrier operation | -25°C to 60°C | -25°C to 60°C |
| Storage temperature | -40°C to 70°C | -25°C to 80°C | -25°C to 80°C |
| Connection | Max. tightening torque: 2 Nm (17.7 lbs.-in) Rigid / Stranded wire = 1-16 mm ² (16-6AWG) Max. 2x6 mm ² PZ2 or flat 5.5x1 mm screw drivers recommended (max. diameter 6 mm) | Max. tightening torque: 3.5 Nm (30 lbs.-in) Rigid wire = 1.5-35 mm ² (16-3AWG) Stranded wire = 1.5-25 mm ² (16-4AWG) PZ2 or flat 5.5x1 mm screw drivers recommended (max. diameter 6 mm) | Max. tightening torque: 4 Nm (35 lbs.-in) Rigid wire = 1.5-50 mm ² (16-1AWG) Multistrand wire = 35 mm ² (3AWG) PZ2 or flat 6.5x1.2 mm screw drivers recommended (max. diameter 7 mm) |
| Vibration | Withstand on the 3 main axis*: Sinusoidal vibration testing according to IEC 60068-2-6 2 to 13 Hz x= 1 mm peak 13 to 100 Hz y= 0.7 g peak according to french marine application Random vibration testing according to IEC 61373 Category 1 Class B | Withstand on the 3 main axis*: Sinusoidal vibration testing according to IEC 60068-2-6 2 to 13 Hz x= 1 mm peak 13 to 100 Hz y= 0.7 g peak according to french marine application Random vibration testing according to IEC 61373 Category 1 Class B | Withstand on the 3 main axis*: Sinusoidal vibration testing according to IEC 60068-2-6 2 to 13 Hz x= 1 mm peak 13 to 100 Hz y= 0.7 g peak according to french marine application Random vibration testing according to IEC 61373 Category 1 Class B |
| Shock | Shock testing according to IEC 61373 Category 1 Class B Shock testing according to IEC 60068-2-27 15 g/11 ms/18 shocks * for specific usage please contact us | Shock testing according to IEC 61373 Category 1 Class B Shock testing according to IEC 60068-2-27 15 g/11 ms/18 shocks * for specific usage please contact us | Shock testing according to IEC 61373 Category 1 Class B Shock testing according to IEC 60068-2-27 15 g/11 ms/18 shocks * for specific usage please contact us |

DIN Fuse Links 500 V AC -gG



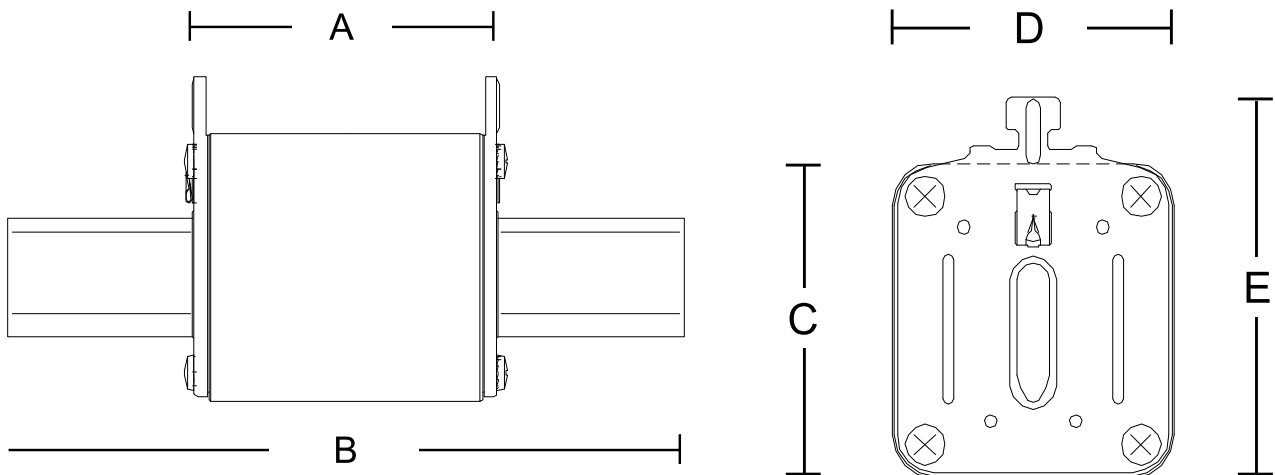
- ✓ Complies with AS/NZS 60269.2.1:2005 and IEC 60269-2-1
- ✓ 120 kA fault interruption capacity
- ✓ Type gG for general, cable, line and motor protection
- ✓ Sizes: 000, 1, 2, 3 and 4
- ✓ Dimensions according to DIN43 620 parts 1-4
- ✓ Fuses include a RED blown fuse indicator in top of fuse body
- ✓ Lead-free contact blades
- ✓ Non-isolated standard application metal gripping lugs
- ✓ Low temperature rise
- ✓ Low power losses
- ✓ 500 V AC rated.



General

| | | |
|--|---|--------|
| Un, Nominal Operational Voltage, AC | 500 | V AC |
| Ue, Rated Operational Voltage, AC | 500 | V AC |
| Ue, Rated Operational Voltage, DC, Max | 250 / 440 | V DC |
| Uimp, Impulse Withstand Voltage | 8 | kV |
| Maximum Operating Temperature With Derating | 70 | °C max |
| Standards Compliance | EN 60269-2-1 IEC 60269-2-1 AS/NZS 60269-2-1 HD 60269-2 | |
| Certifications | CE | |

Dimensions for NH / Din Fuse Links (N000-N4) (mm)



| Series | Size Reference | Brand | A Body Length | B Body + Tags | C Body Height | D Body Width | E Body Height + Gripping Lugs |
|----------------------|----------------|------------|------------------|------------------|------------------|-----------------|----------------------------------|
| N000 6 – 125 | 000 | FuseMaster | 49.0 | 78.0 | 40.0 | 21.0 | 52.5 |
| N00 125 – 160 | 00 | FuseMaster | 49.0 | 78.0 | 48.0 | 30.0 | 58.5 |
| N1 16 – 160 | 1 | FuseMaster | 65.0 | 135.0 | 46.0 | 28.0 | 65.0 |
| N1 200 – 250 | 1 | FuseMaster | 65.0 | 135.0 | 46.0 | 46.0 | 58.5 |
| N2 36 – 160 | 2 | FuseMaster | 65.0 | 150.0 | 46.0 | 28.0 | 72.5 |
| N2 200 – 250 | 2 | FuseMaster | 65.0 | 150.0 | 47.5 | 47.5 | 70.0 |
| N2 300 – 400 | 2 | FuseMaster | 65.0 | 150.0 | 56.0 | 56.0 | 71.0 |
| N3 315 – 400 | 3 | FuseMaster | 68.0 | 150.0 | 56.5 | 57.0 | 84.0 |
| N3 425 – 630 | 3 | FuseMaster | 66.0 | 150.0 | 66.5 | 67.0 | 84.0 |

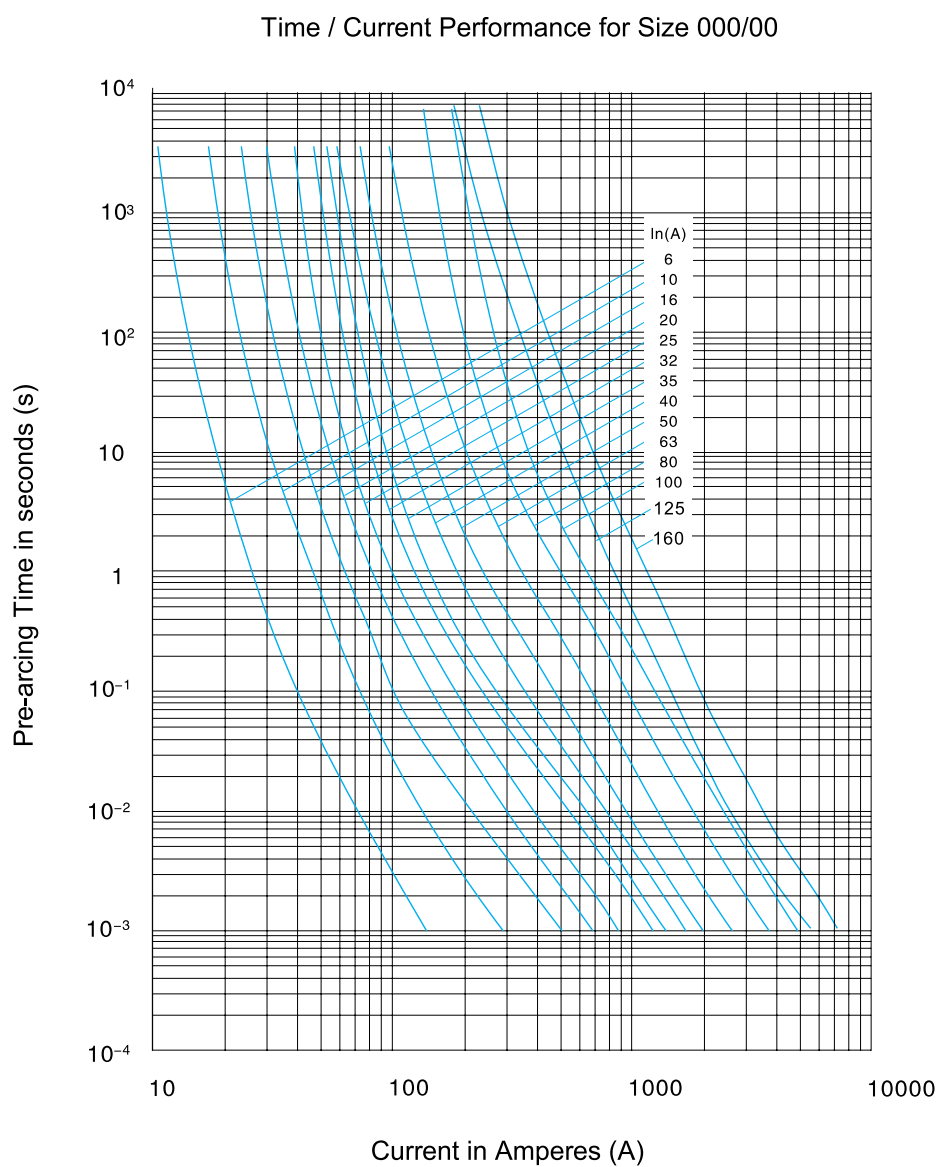


| Fuse Rating (A) | Cartridge Size | AC Voltage Rating (V AC) | Utilisation Category | Breaking Capacity @ Rated Voltage (kA) | Catalogue No. |
|-----------------|----------------|--------------------------|----------------------|--|---------------|
| 2 | 000 | 500 | gG | 120 | N0006 |
| 10 | 000 | 500 | gG | 120 | N00010 |
| 16 | 000 | 500 | gG | 120 | N00016 |
| 20 | 000 | 500 | gG | 120 | N00020 |
| 25 | 000 | 500 | gG | 120 | N00025 |
| 32 | 000 | 500 | gG | 120 | N00032 |
| 35 | 000 | 500 | gG | 120 | N00035 |
| 40 | 000 | 500 | gG | 120 | N00040 |
| 50 | 000 | 500 | gG | 120 | N00050 |
| 63 | 000 | 500 | gG | 120 | N00063 |
| 80 | 000 | 500 | gG | 120 | N00080 |
| 100 | 000 | 500 | gG | 120 | N000100 |
| 16 | 1 | 500 | gG | 120 | N116 |
| 20 | 1 | 500 | gG | 120 | N120 |
| 25 | 1 | 500 | gG | 120 | N125 |
| 32 | 1 | 500 | gG | 120 | N132 |
| 35 | 1 | 500 | gG | 120 | N135 |
| 40 | 1 | 500 | gG | 120 | N140 |
| 50 | 1 | 500 | gG | 120 | N150 |
| 63 | 1 | 500 | gG | 120 | N163 |
| 80 | 1 | 500 | gG | 120 | N180 |
| 100 | 1 | 500 | gG | 120 | N1100 |
| 125 | 1 | 500 | gG | 120 | N1125 |
| 160 | 1 | 500 | gG | 120 | N1160 |
| 200 | 1 | 500 | gG | 120 | N1200 |
| 224 | 1 | 500 | gG | 120 | N1224 |
| 250 | 1 | 500 | gG | 120 | N1250 |
| 35 | 2 | 500 | gG | 120 | N235 |
| 40 | 2 | 500 | gG | 120 | N240 |

| Fuse Rating (A) | Cartridge Size | AC Voltage Rating (V AC) | Utilisation Category | Breaking Capacity @ Rated Voltage (kA) | Catalogue No. |
|-----------------|----------------|--------------------------|----------------------|--|---------------|
| 50 | 2 | 500 | gG | 120 | N250 |
| 63 | 2 | 500 | gG | 120 | N263 |
| 80 | 2 | 500 | gG | 120 | N280 |
| 100 | 2 | 500 | gG | 120 | N2100 |
| 125 | 2 | 500 | gG | 120 | N2125 |
| 160 | 2 | 500 | gG | 120 | N2160 |
| 200 | 2 | 500 | gG | 120 | N2200 |
| 224 | 2 | 500 | gG | 120 | N2224 |
| 250 | 2 | 500 | gG | 120 | N2250 |
| 300 | 2 | 500 | gG | 120 | N2300 |
| 315 | 2 | 500 | gG | 120 | N2315 |
| 355 | 2 | 500 | gG | 120 | N2355 |
| 400 | 2 | 500 | gG | 120 | N2400 |
| 315 | 3 | 500 | gG | 120 | N3315 |
| 355 | 3 | 500 | gG | 120 | N3355 |
| 400 | 3 | 500 | gG | 120 | N3400 |
| 424 | 3 | 500 | gG | 120 | N3425 |
| 500 | 3 | 500 | gG | 120 | N3500 |
| 630 | 3 | 500 | gG | 120 | N3630 |
| 800 | 4 | 500 | gG | 120 | N4800 |
| 900 | 4 | 500 | gG | 120 | N4900 |
| 1250 | 4 | 500 | gG | 120 | N41250 |
| 1600 | 4 | 500 | gG | 120 | N41600 |



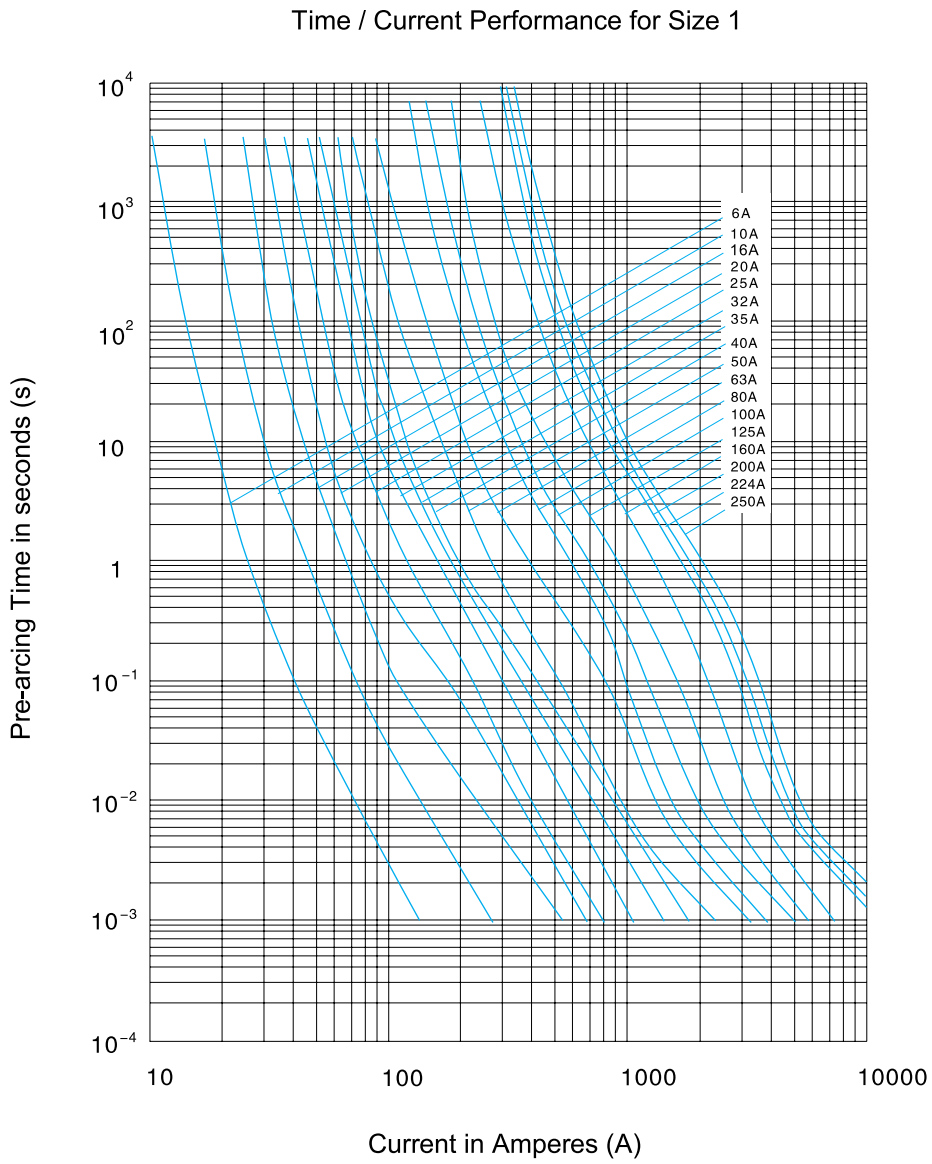
Time / Current Performance for Size 000 / 00, 2 A to 16 A , gG 500 V





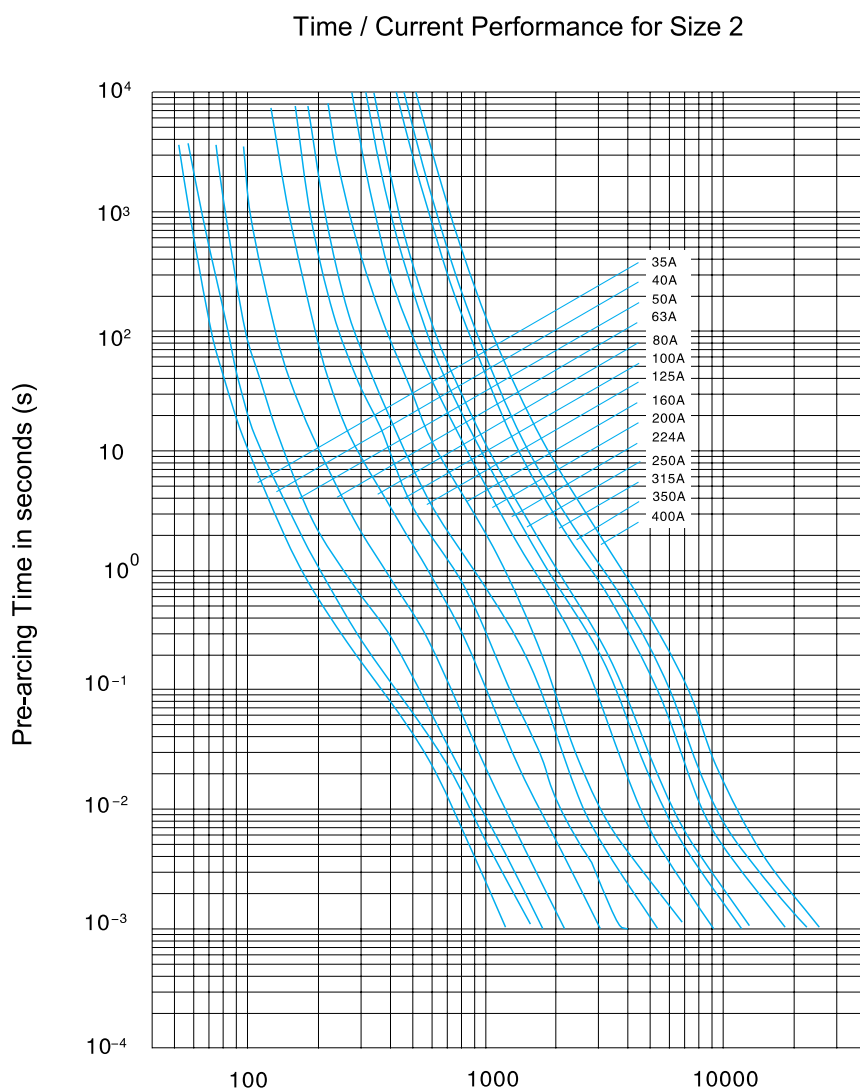
Time / Current Performance for Size 1 , 16 A to 250 A gG 500 V

Fuses and Bases



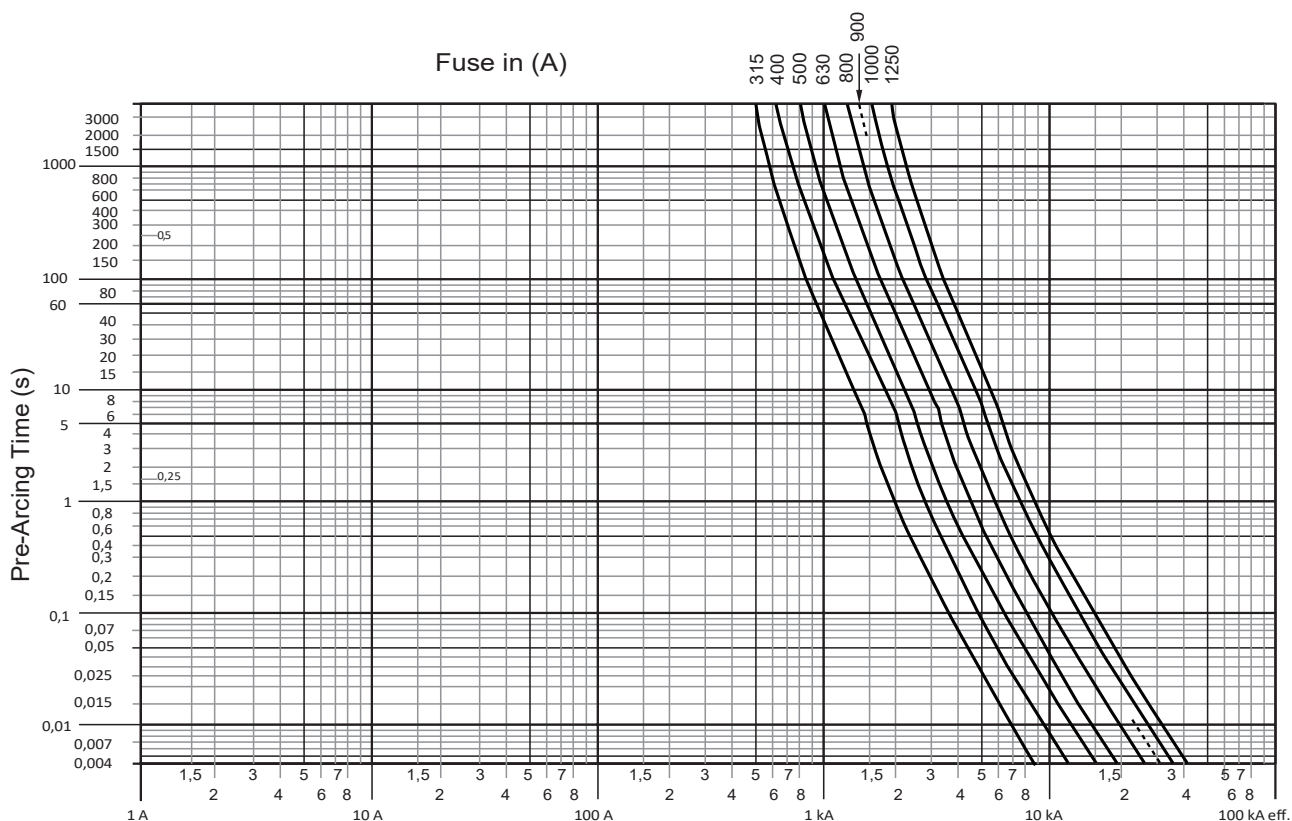


Time / Current Performance for Size 2, 35 A to 400 A , gG 500 V





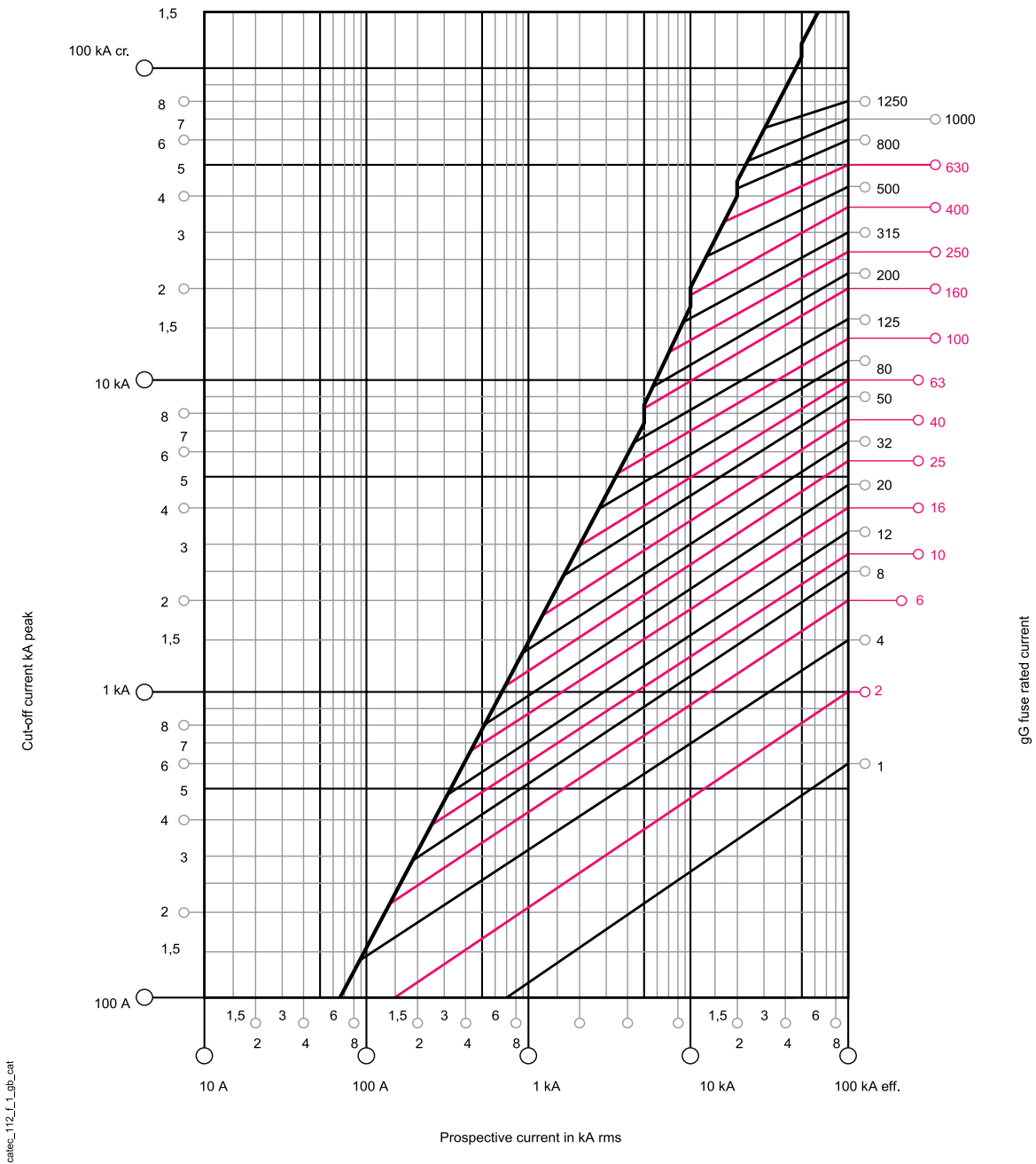
Time / Current Performance for Sizes 3 to 4, 315 A to 1250 A, gG 500 V





Cut-Off Characteristics for Size 000 to 4

Fuses and Bases





I²t Let-Through Energy and Power Loss Values Size 000, 1, 2, 3 Fuse Links (16 A to 630 A)

| Size | Catalogue No. | Current Rating | Pre-Arcing I ² t Value (A ² s) | Total I ² t Value @ 500 V (A ² s) | Power Loss (W) |
|------|---------------|----------------|--|---|----------------|
| 000 | N00016 | 16 | 307 | 1,060 | 1.4 |
| | N00020 | 20 | 691 | 1,800 | 1.6 |
| | N00025 | 25 | 1,080 | 3,700 | 2.4 |
| | N00032 | 32 | 1,920 | 7,800 | 2.6 |
| | N00040 | 40 | 3,130 | 14,100 | 3.2 |
| | N00050 | 50 | 6,250 | 17,000 | 4.3 |
| | N00063 | 63 | 14,000 | 25,400 | 4.7 |
| | N00080 | 80 | 25,000 | 47,000 | 4.8 |
| | N000100 | 100 | 39,000 | 72,000 | 6.5 |
| 00 | N00125 | 125 | 48,000 | 132,000 | 7.5 |
| | N00160 | 160 | 98,000 | 204,000 | 8.8 |
| 1 | N1 80 | 80 | 22,000 | 50,000 | 5 |
| | N1 100 | 100 | 34,000 | 85,000 | 6.8 |
| | N1 125 | 125 | 50,000 | 145,000 | 9 |
| | N1 160 | 160 | 101,000 | 233,000 | 11.2 |
| | N1 200 | 200 | 175,000 | 332,000 | 13.2 |
| | N1 224 | 224 | 232,000 | 471,000 | 15.2 |
| | N1 250 | 250 | 310,000 | 582,000 | 15.5 |
| 2 | N2 160 | 160 | 105,000 | 225,000 | 11.8 |
| | N2 200 | 200 | 150,000 | 355,000 | 13.8 |
| | N2 250 | 250 | 215,000 | 650,000 | 16.2 |
| | N2 300 | 300 | 335,000 | 1,076,000 | 19.8 |
| | N2 315 | 315 | 431,000 | 1,289,000 | 22 |
| | N2 355 | 355 | 658,000 | 1,560,000 | 22.7 |
| | N2 400 | 400 | 860,000 | 1,710,000 | 27.6 |
| 3 | N3 315 | 315 | 467,000 | 1,322,000 | 19 |
| | N3 355 | 355 | 591,000 | 1,652,000 | 22 |
| | N3 400 | 400 | 804,000 | 1,820,000 | 26 |
| | N3 425 | 424 | 883,000 | 2,170,000 | 31 |
| | N3 500 | 500 | 1,720,000 | 3,345,000 | 36 |
| | N3 630 | 630 | 3,219,000 | 4,900,000 | 38 |

DIN Fuse Links 690 V AC -gG and aM



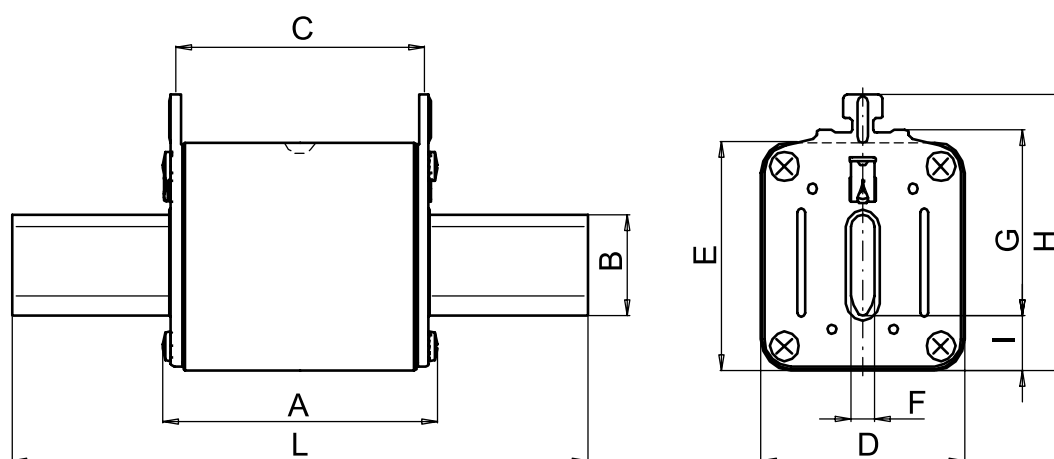
- ✓ Complies with AS/NZS 60269.2.1: 2005 and IEC 60269-2-1
- ✓ 120 kA fault interruption capacity Type gG for general, cable, line and aM for motor protection
- ✓ Sizes: 000, 1, 2 and 3
- ✓ Dimensions according to DIN 43 620 Parts 1 - 4
- ✓ Fuses include a RED blown fuse indicator in top of fuse body
- ✓ Lead-free contact blades
- ✓ Non-isolated standard application metal gripping lugs
- ✓ Low temperature rise
- ✓ Low power losses
- ✓ 690 V AC rated



General

| | | |
|---|-----------------------------------|--------|
| Un, Nominal Operational Voltage, AC | 690 | V AC |
| Ue, Rated Operational Voltage, AC | 690 | V AC |
| Ue, Rated Operational Voltage, DC, Max | 220 / 440 | V DC |
| Uimp, Impulse Withstand Voltage | 8 | kV |
| Maximum Operating Temperature With Derating | 70 | °C max |
| Standards Compliance | IEC 60269-2-1 AS/NZS 60269-2-1 | |
| Certifications | CE | |

Dimensions for NH/DIN gG and aM Fuse Links (mm)



| | Amax. | B | C | D | E | F | G | H | I | L |
|-----------------------|-------|----|----|------|------|---|----|----|----|-----|
| 20 477 13 | 54 | 15 | 47 | 20.5 | 40.5 | 6 | 35 | 52 | 7 | 78 |
| 20 209 13 | 54 | 15 | 47 | 29.5 | 46 | 6 | 35 | 58 | 13 | 78 |
| 20 211 13 | 75 | 20 | 65 | 42 | 51.5 | 6 | 40 | 64 | 14 | 135 |
| 20 213 13 ≤ 315 A | 75 | 26 | 65 | 53 | 59 | 6 | 60 | 83 | 14 | 150 |
| 20 213 13 355 - 425 A | 75 | 32 | 65 | 65 | 73.5 | 6 | 60 | 86 | 17 | 150 |
| 20 213 13 ≥ 500 A | 75 | 32 | 65 | 73 | 73 | 6 | 60 | 86 | 16 | 150 |
| 20 477 08 | 54 | 15 | 47 | 20.5 | 40.5 | 6 | 35 | 52 | 7 | 78 |
| 20 209 08 | 54 | 15 | 47 | 29.5 | 46 | 6 | 35 | 58 | 13 | 78 |
| 20 211 08 | 75 | 20 | 65 | 42 | 51.5 | 6 | 40 | 64 | 14 | 135 |
| 20 212 08 ≤ 200 A | 75 | 20 | 65 | 42 | 51.5 | 6 | 48 | 72 | 14 | 150 |
| 20 212 08 ≥ 224 A | 75 | 26 | 65 | 53 | 59 | 6 | 48 | 72 | 14 | 150 |
| 20 213 08 ≤ 315 A | 75 | 26 | 65 | 53 | 59 | 6 | 60 | 83 | 14 | 150 |
| 20 213 08 400 A | 75 | 32 | 65 | 65 | 73.5 | 6 | 60 | 86 | 17 | 150 |
| 20 213 08 500 - 630 A | 75 | 32 | 65 | 73 | 73 | 6 | 60 | 86 | 16 | 150 |

| Fuse Rating (A) | Cartridge Size | AC Voltage Rating (V AC) | Utilisation Category | Breaking Capacity @ Rated Voltage (kA) | Catalogue No. |
|-----------------|----------------|--------------------------|----------------------|--|---------------|
| 2 | 000 | 690 | gG | 120 | 204771302 |
| 4 | 000 | 690 | gG | 120 | 204771304 |
| 6 | 000 | 690 | gG | 120 | 204771306 |
| 10 | 000 | 690 | gG | 120 | 204771310 |
| 16 | 000 | 690 | gG | 120 | 204771316 |
| 20 | 000 | 690 | gG | 120 | 204771320 |
| 25 | 000 | 690 | gG | 120 | 204771325 |
| 32 | 000 | 690 | gG | 120 | 204771332 |
| 35 | 000 | 690 | gG | 120 | 204771335 |
| 40 | 000 | 690 | gG | 120 | 204771340 |
| 50 | 000 | 690 | gG | 120 | 204771350 |
| 63 | 00 | 690 | gG | 120 | 202091363 |
| 80 | 00 | 690 | gG | 120 | 202091380 |
| 100 | 00 | 690 | gG | 120 | 2020913100 |
| 125 | 00 | 690 | gG | 120 | 2020913125 |
| 16 | 1 | 690 | gG | 120 | 202111316 |
| 20 | 1 | 690 | gG | 120 | 202111320 |
| 25 | 1 | 690 | gG | 120 | 202111325 |
| 35 | 1 | 690 | gG | 120 | 202111332 |
| 40 | 1 | 690 | gG | 120 | 202111335 |
| 50 | 1 | 690 | gG | 120 | 202111340 |
| 63 | 1 | 690 | gG | 120 | 202111350 |
| 80 | 1 | 690 | gG | 120 | 202111363 |
| 100 | 1 | 690 | gG | 120 | 202111380 |
| 125 | 1 | 690 | gG | 120 | 2021113100 |
| 160 | 1 | 690 | gG | 120 | 2021113125 |
| 200 | 1 | 690 | gG | 120 | 2021113160 |
| 224 | 1 | 690 | gG | 120 | 2021113200 |
| 250 | 1 | 690 | gG | 120 | 2021113250 |



| Fuse Rating (A) | Cartridge Size | AC Voltage Rating (V AC) | Utilisation Category | Breaking Capacity @ Rated Voltage (kA) | Catalogue No. |
|-----------------|----------------|--------------------------|----------------------|--|---------------|
| 35 | 2 | 690 | gG | 120 | 202121335 |
| 40 | 2 | 690 | gG | 120 | 202121340 |
| 50 | 2 | 690 | gG | 120 | 202121350 |
| 63 | 2 | 690 | gG | 120 | 202121363 |
| 80 | 2 | 690 | gG | 120 | 202121380 |
| 100 | 2 | 690 | gG | 120 | 2021213100 |
| 125 | 2 | 690 | gG | 120 | 2021213125 |
| 160 | 2 | 690 | gG | 120 | 2021213160 |
| 200 | 2 | 690 | gG | 120 | 2021213200 |
| 224 | 2 | 690 | gG | 120 | 2021213224 |
| 250 | 2 | 690 | gG | 120 | 2021213250 |
| 300 | 2 | 690 | gG | 120 | 2021213300 |
| 315 | 2 | 690 | gG | 120 | 2021213315 |
| 355 | 2 | 690 | gG | 120 | 2021213355 |
| 400 | 2 | 690 | gG | 120 | 2021213400 |
| 300 | 3 | 690 | gG | 120 | 2021313300 |
| 315 | 3 | 690 | gG | 120 | 2021313315 |
| 355 | 3 | 690 | gG | 120 | 2021313355 |
| 400 | 3 | 690 | gG | 120 | 2021313400 |
| 425 | 3 | 690 | gG | 120 | 2021313425 |
| 500 | 3 | 690 | gG | 120 | 2021313500 |
| 630 | 3 | 690 | gG | 120 | 2021313630 |



| Fuse Rating (A) | Cartridge Size | AC Voltage Rating (V AC) | Utilisation Category | Breaking Capacity @ Rated Voltage (kA) | Catalogue No. |
|-----------------|----------------|--------------------------|----------------------|--|---------------|
| 2 | 000 | 690 | aM | 120 | 204770802 |
| 4 | 000 | 690 | aM | 120 | 204770804 |
| 6 | 000 | 690 | aM | 120 | 204770806 |
| 10 | 000 | 690 | aM | 120 | 204770810 |
| 16 | 000 | 690 | aM | 120 | 204770816 |
| 20 | 000 | 690 | aM | 120 | 204770820 |
| 25 | 000 | 690 | aM | 120 | 204770825 |
| 32 | 000 | 690 | aM | 120 | 204770832 |
| 35 | 000 | 690 | aM | 120 | 204770835 |
| 40 | 000 | 690 | aM | 120 | 204770840 |
| 50 | 000 | 690 | aM | 120 | 204770850 |
| 63 | 00 | 690 | aM | 120 | 202090863 |
| 80 | 00 | 690 | aM | 120 | 202090880 |
| 100 | 00 | 690 | aM | 120 | 2020908100 |
| 125 | 00 | 690 | aM | 120 | 2020908125 |
| 160 | 00 | 690 | aM | 120 | 2020908160 |
| 16 | 1 | 690 | aM | 120 | 202110816 |
| 20 | 1 | 690 | aM | 120 | 202110820 |
| 25 | 1 | 690 | aM | 120 | 202110825 |
| 35 | 1 | 690 | aM | 120 | 202110835 |
| 40 | 1 | 690 | aM | 120 | 202110840 |
| 50 | 1 | 690 | aM | 120 | 202110850 |
| 63 | 1 | 690 | aM | 120 | 202110863 |
| 80 | 1 | 690 | aM | 120 | 202110880 |
| 100 | 1 | 690 | aM | 120 | 2021108100 |
| 125 | 1 | 690 | aM | 120 | 2021108125 |
| 160 | 1 | 690 | aM | 120 | 2021108160 |
| 200 | 1 | 690 | aM | 120 | 2021108200 |
| 224 | 1 | 690 | aM | 120 | 2021108224 |
| 250 | 1 | 690 | aM | 120 | 2021108250 |

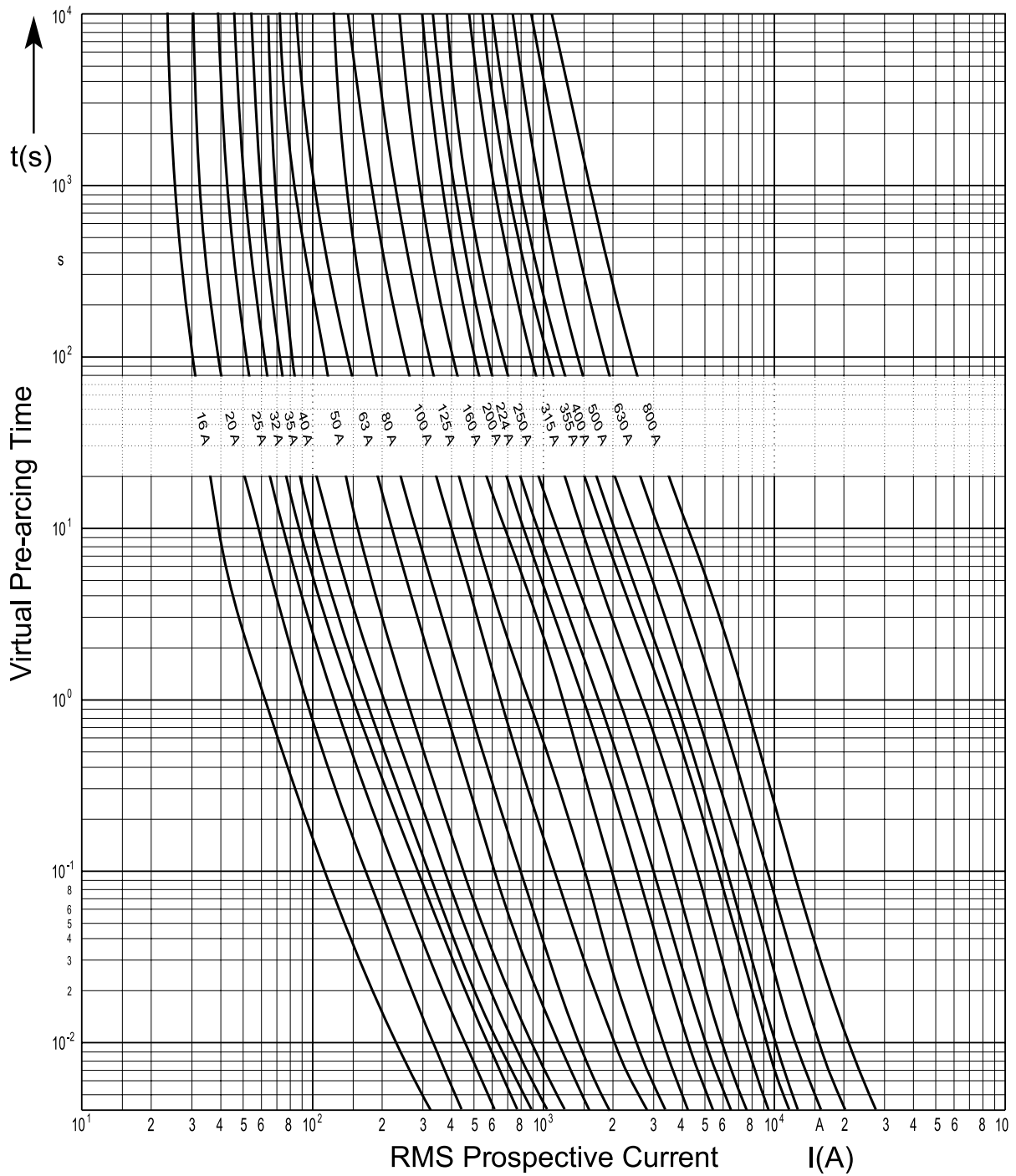


| Fuse Rating (A) | Cartridge Size | AC Voltage Rating (V AC) | Utilisation Category | Breaking Capacity @ Rated Voltage (kA) | Catalogue No. |
|-----------------|----------------|--------------------------|----------------------|--|---------------|
| 35 | 2 | 690 | aM | 120 | 202120835 |
| 50 | 2 | 690 | aM | 120 | 202120850 |
| 63 | 2 | 690 | aM | 120 | 202120863 |
| 80 | 2 | 690 | aM | 120 | 202120880 |
| 100 | 2 | 690 | aM | 120 | 2021208100 |
| 125 | 2 | 690 | aM | 120 | 2021208125 |
| 160 | 2 | 690 | aM | 120 | 2021208160 |
| 200 | 2 | 690 | aM | 120 | 2021208200 |
| 250 | 2 | 690 | aM | 120 | 2021208250 |
| 315 | 2 | 690 | aM | 120 | 2021208315 |
| 355 | 2 | 690 | aM | 120 | 2021208355 |
| 400 | 2 | 690 | aM | 120 | 2021208400 |
| 315 | 3 | 690 | aM | 120 | 2021308315 |
| 400 | 3 | 690 | aM | 120 | 2021308400 |
| 500 | 3 | 690 | aM | 120 | 2021308500 |
| 630 | 3 | 690 | aM | 120 | 2021308630 |



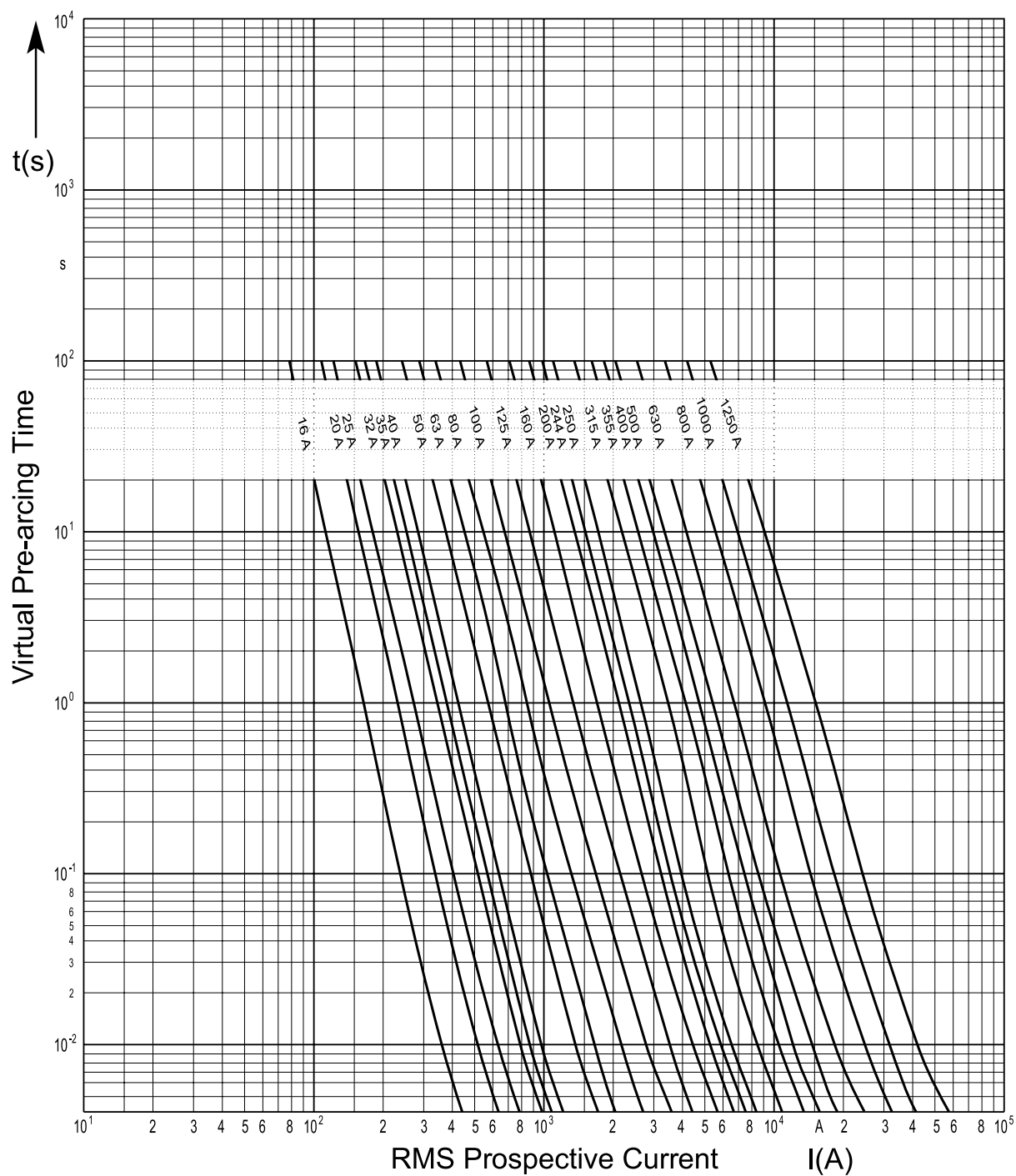
Fuses and Bases

Time - Current Characteristics, gG, 690 V AC





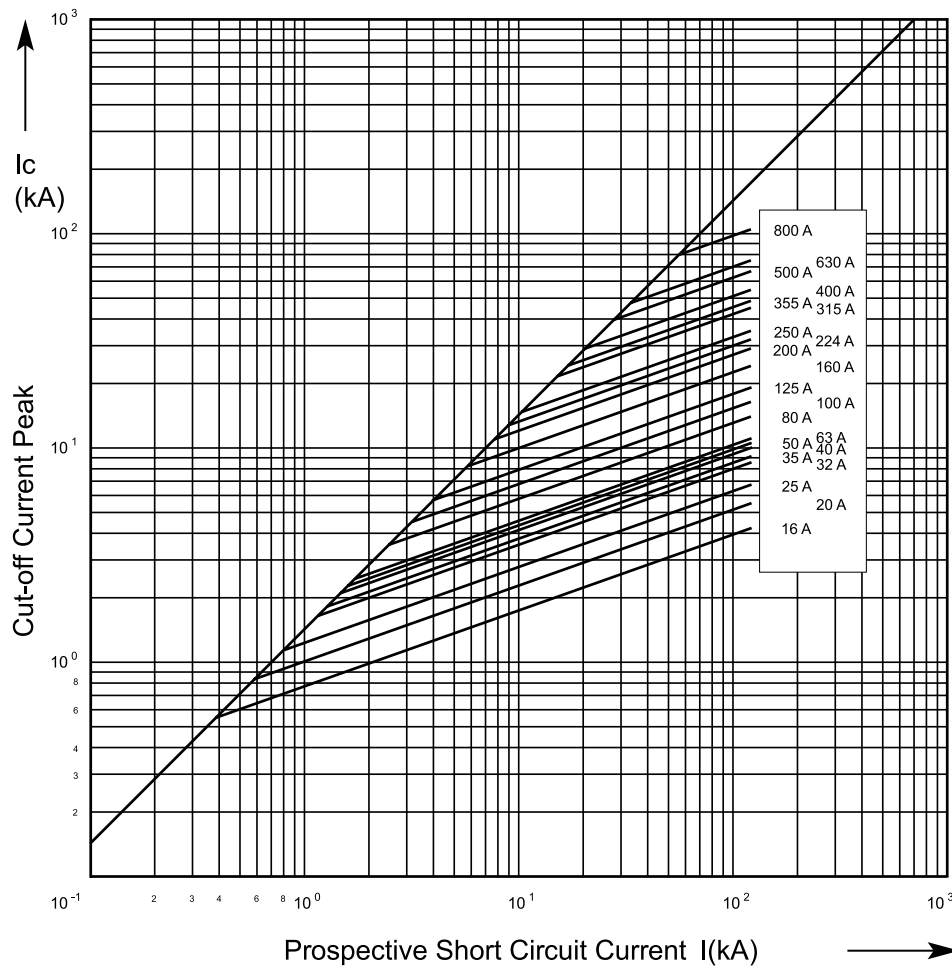
Time - Current Characteristics, aM, 690 V AC





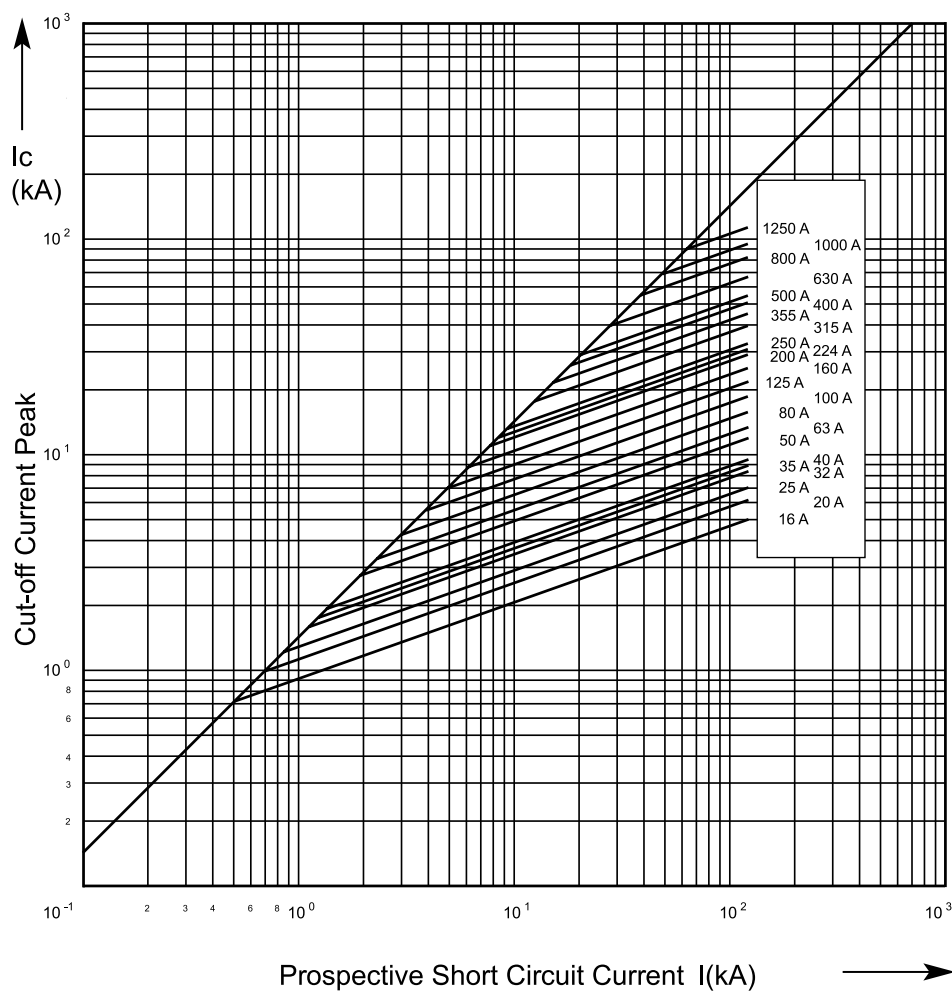
Cut-Off Characteristics, gG, 690 V AC

Fuses and Bases





Cut-Off Characteristics, aM, 690 V AC



Extractor Handles

DIN Fuse pullers are used to insert and remove NH-DIN fuse links and solid links of sizes 000 up to 4 from NH-DIN fuse bases and switch fuses. Can be used in application up to 690 V AC.



| Item Description | Catalogue No. |
|---------------------------|---------------|
| Extractor Handle DIN Fuse | DINF |

DFB DIN Fuse Bases Single Pole

DFB DIN Fuse Bases Size 00 to 3, 1 Pole

Open Type



| Item Description | Catalogue No. |
|---|---------------|
| Fuse Base DFB Size 00 Fuse, 160 A, 1 Pole, Back Plate Mount | 65001010 |
| Fuse Base DFB Size 00 Fuse, 160 A, 1 Pole, DIN Rail Mount | 65001110 |
| Fuse Base DFB Size 1 Fuse, 250 A, 1 Pole, Back Plate Mount | 65011011 |
| Fuse Base DFB Size 1 Fuse, 250 A, 1 Pole, DIN Rail Mount | 65011111 |
| Fuse Base DFB Size 2 Fuse, 400 A, 1 Pole, Back Plate Mount | 65011012 |
| Fuse Base DFB Size 2 Fuse, 400 A, 1 Pole, DIN Rail Mount | 65011112 |
| Fuse Base DFB Size 3 Fuse, 630 A, 1 Pole, Back Plate Mount | 65011013 |
| Fuse Base DFB Size 3 Fuse, 630 A, 1 Pole, DIN Rail Mount | 65011113 |

DFB DIN Fuse Bases Three Pole

DIN Fuse Bases Size 00 to 3, 3 Pole

Open Type



| Item Description | Catalogue No. |
|---|---------------|
| Fuse Base DFB Size 00 Fuse, 160 A, 3 Pole, Back Plate Mount | 65001030 |
| Fuse Base DFB Size 00 Fuse, 160 A, 3 Pole, DIN Rail Mount | 65001130 |
| Fuse Base DFB Size 1 Fuse, 250 A, 3 Pole, Back Plate Mount | 65011031 |
| Fuse Base DFB Size 1 Fuse, 250 A, 3 Pole, DIN Rail Mount | 65011131 |
| Fuse Base DFB Size 2 Fuse, 400 A, 3 Pole, Back Plate Mount | 65011032 |
| Fuse Base DFB Size 2 Fuse, 400 A, 3 Pole DIN Rail Mount | 65011132 |
| Fuse Base DFB Size 3 Fuse, 630 A, 3 Pole, Back Plate Mount | 65011033 |
| Fuse Base DFB Size 3 Fuse, 630 A, 3 Pole, DIN Rail Mount | 65011133 |



IP20 Kit Single Pole and Three Pole

IP20 Kit, includes connecting block, phase separation shield, terminal shrouds and fuse covers.



| Item Description | Catalogue No. |
|--|---------------|
| IP20 Kit, 160 A, DIN Fuse Base, 1 Pole | 65101010 |
| IP20 Kit, 160 A, DIN Fuse Base, 3 pole | 65101030 |
| IP20 Kit, 250 A, DIN Fuse Base, 1 Pole | 65111011 |
| IP20 Kit, 250 A, DIN Fuse Base, 3 Pole | 65111031 |
| IP20 Kit, 400 A, DIN Fuse Base, 1 Pole | 65111012 |
| IP20 Kit, 400 A, DIN Fuse Base, 3 Pole | 65111032 |
| IP20 Kit, 630 A, DIN Fuse Base, 1 Pole | 65111013 |
| IP20 Kit, 630 A, DIN Fuse Base, 3Pole | 65111033 |

DIN Fuse Accessories

Connecting Blocks

1 piece, 2 required to connect 3 fuse bases.



| Item Description | Catalogue No. |
|-------------------------------|---------------|
| DFB Connect Block 250 / 400 A | 65000031 |
| DFB Connect Block 630 A | 65000032 |
| DFB Connect Block 160 A | 65000033 |

Fuse Covers

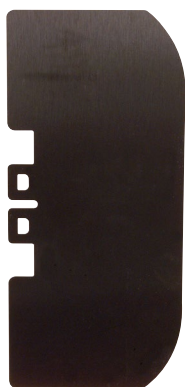
1 piece, 1 required per pole.



| Item Description | Catalogue No. |
|----------------------------|---------------|
| Fuse DFB Cover 160 A | 65000020 |
| Fuse DFB Cover 250 / 400 A | 65000022 |
| Fuse DFB Cover 630 A | 65000023 |

Phase Separation Shields

1 piece, 4 required for 3 fuse bases.



| Item Description | Catalogue No. |
|------------------------------------|---------------|
| Fuse DFB Phase Barrier 160 A | 65000001 |
| Fuse DFB Phase Barrier 250 / 400 A | 65000003 |
| Fuse DFB Phase Barrier 630 A | 65000004 |

Terminal Shrouds

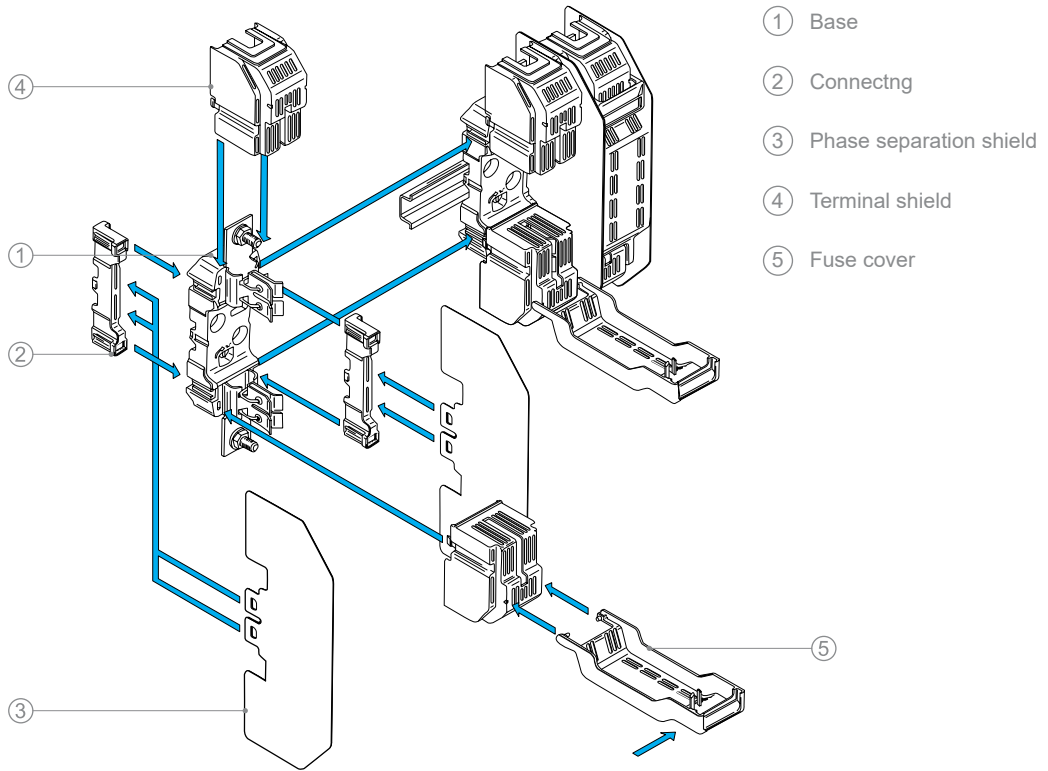
1 piece, 2 required per pole.



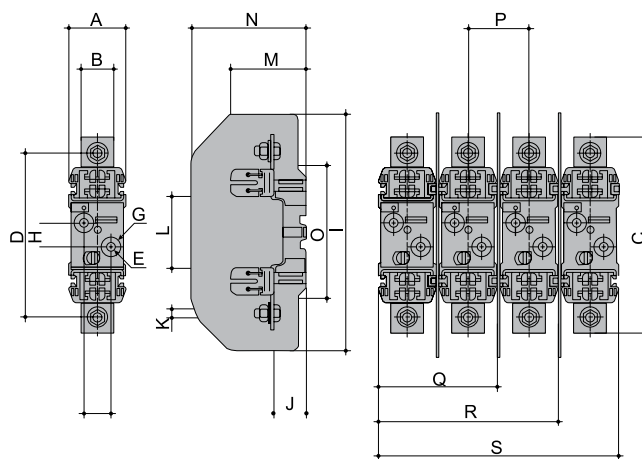
| Item Description | Catalogue No. |
|--------------------------------|---------------|
| Fuse DFB Terminal Shroud 160 A | 65000010 |
| Fuse DFB Terminal Shroud 250 A | 65000012 |
| Fuse DFB Terminal Shroud 400 A | 65000013 |
| Fuse DFB Terminal Shroud 630 A | 65000014 |

DIN Fuse Bases 160 to 630 A

IP20 Kit Assembly



Dimensions (mm)



| Rating Fuse (A) | Size | A | B | C | D | E | F | G | H | I | J | K | L | M | N | O | P | Q | R | S |
|-----------------|------|----|----|-------|-----|------|----|------|----|-----|----|-----|------|------|------|-----|------|-------|-----|-------|
| 160 | 00 | 37 | 20 | 120.5 | 100 | 15 | 0 | 7.5 | 25 | 146 | 23 | M8 | 56.5 | 58 | 84.5 | 86 | 38.5 | 75.5 | 114 | 152.5 |
| 250 | 1 | 60 | 28 | 200 | 175 | 10.5 | 30 | 20.5 | 25 | 250 | 35 | M10 | 80 | 77.5 | 123 | 148 | 66 | 121.5 | 192 | 244.5 |
| 400 | 2 | 60 | 32 | 225 | 200 | 10.5 | 30 | 20.5 | 25 | 250 | 35 | M12 | 80 | 88 | 123 | 148 | 66 | 12.5 | 192 | 244.5 |
| 630 | 3 | 60 | 38 | 240 | 210 | 10.5 | 30 | 20.5 | 25 | 270 | 35 | M12 | 80 | 97 | 143 | 148 | 82 | 121.5 | 224 | 244.5 |

DIN Fuse Switch Disconnect - Panel Mount



- ✓ Suits DIN-NH fuse links 2 to 630 A
- ✓ 3-pole switching
- ✓ AS/NZS 60947-3, EN 60947-3 / IEC 60947-3
- ✓ Fuses have mechanical retention in disconnecter lid
- ✓ Front-side degree of protection IP30, degree of protection depends on installation
- ✓ Test opening in disconnecter lid self-closing
- ✓ Recommended mounting position: handle at top



General

| | | |
|-------------------------------------|-----|------|
| Un, Nominal Operational Voltage, AC | 690 | V AC |
|-------------------------------------|-----|------|

| | | |
|-----------------------------------|-----|------|
| Ue, Rated Operational Voltage, AC | 690 | V AC |
|-----------------------------------|-----|------|

| | | |
|--|-----------|------|
| Ue, Rated Operational Voltage, DC, Max | 400 / 440 | V DC |
|--|-----------|------|

| | | |
|---------------------------------|---|----|
| Uimp, Impulse Withstand Voltage | 8 | kV |
|---------------------------------|---|----|

| | | |
|------------------------------|----|----|
| Rated Peak Withstand Current | 80 | kA |
|------------------------------|----|----|

| | | |
|---|----|--------|
| Maximum Operating Temperature With Derating | 70 | °C max |
|---|----|--------|

| | |
|-----------|------|
| IP Rating | IP30 |
|-----------|------|

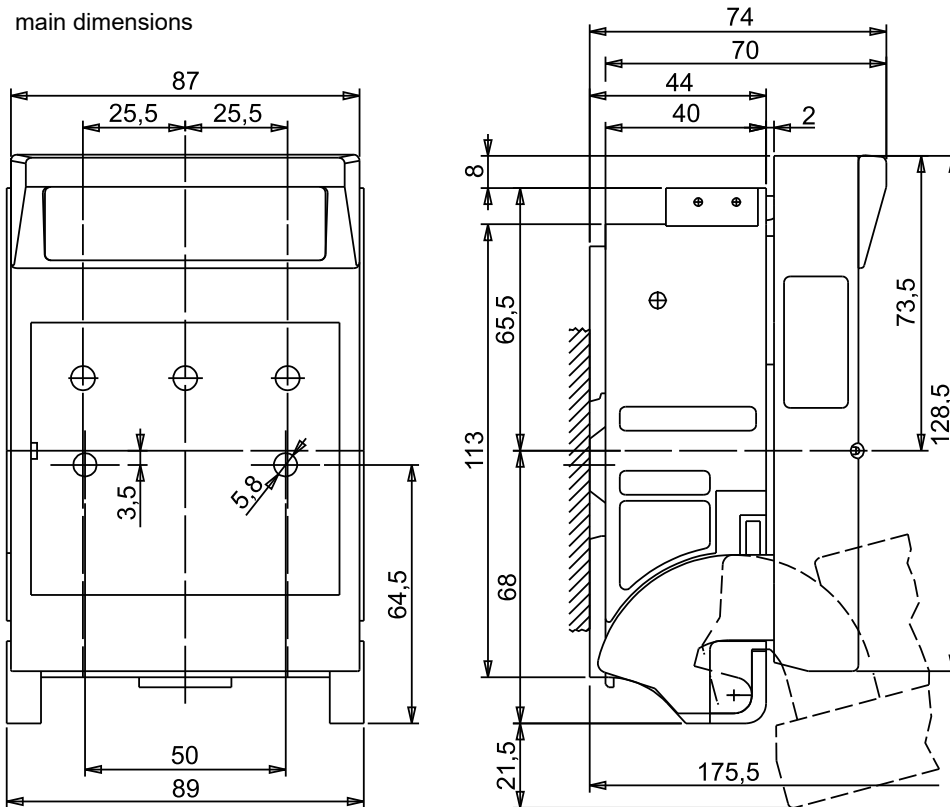
| | |
|----------------------|---|
| Standards Compliance | IEC 60947-1 IEC 60947-3 EN 60947-3 IEC 60269-2-1 DIN VDE 0636-2 |
|----------------------|---|

| | |
|----------------|----|
| Certifications | CE |
|----------------|----|

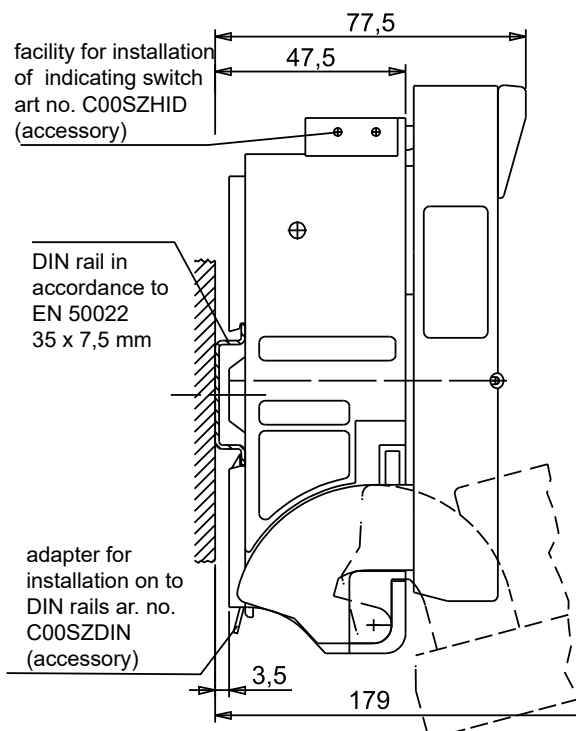
| | |
|---------------------|---|
| Service Information | Product is not repairable. Please contact your local NHP sales representative for assistance. |
|---------------------|---|

Dimensions for Fuse Switch Disconnecter (MBP-000-100A-3P) (mm)

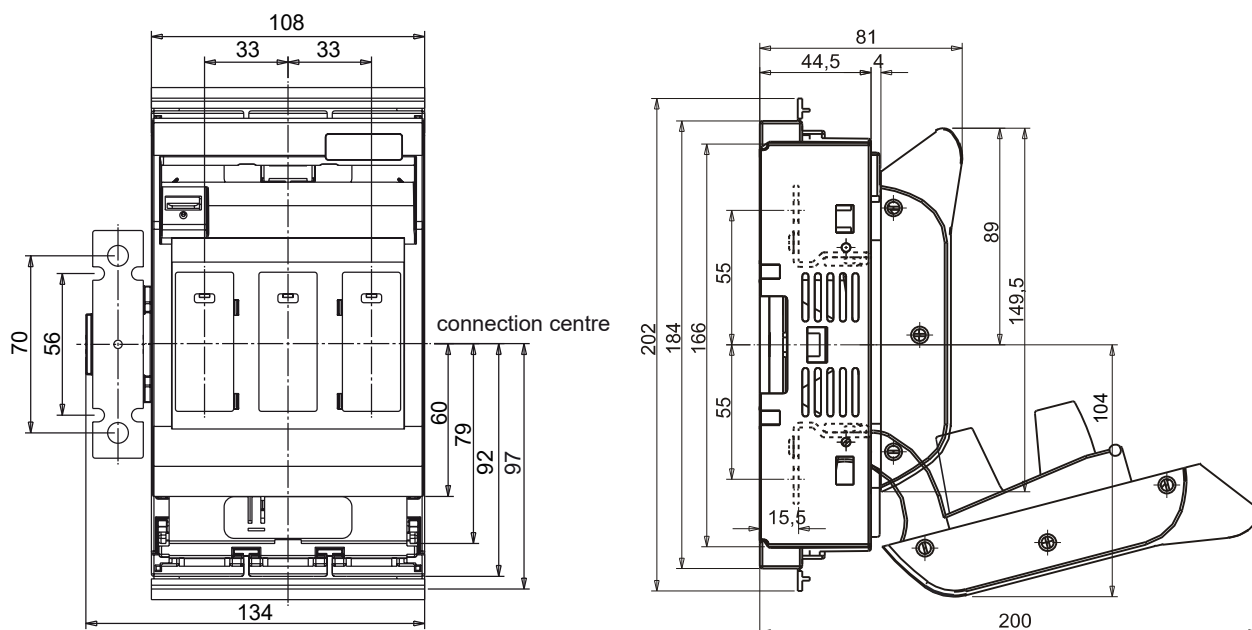
main dimensions



mounting on DIN rails



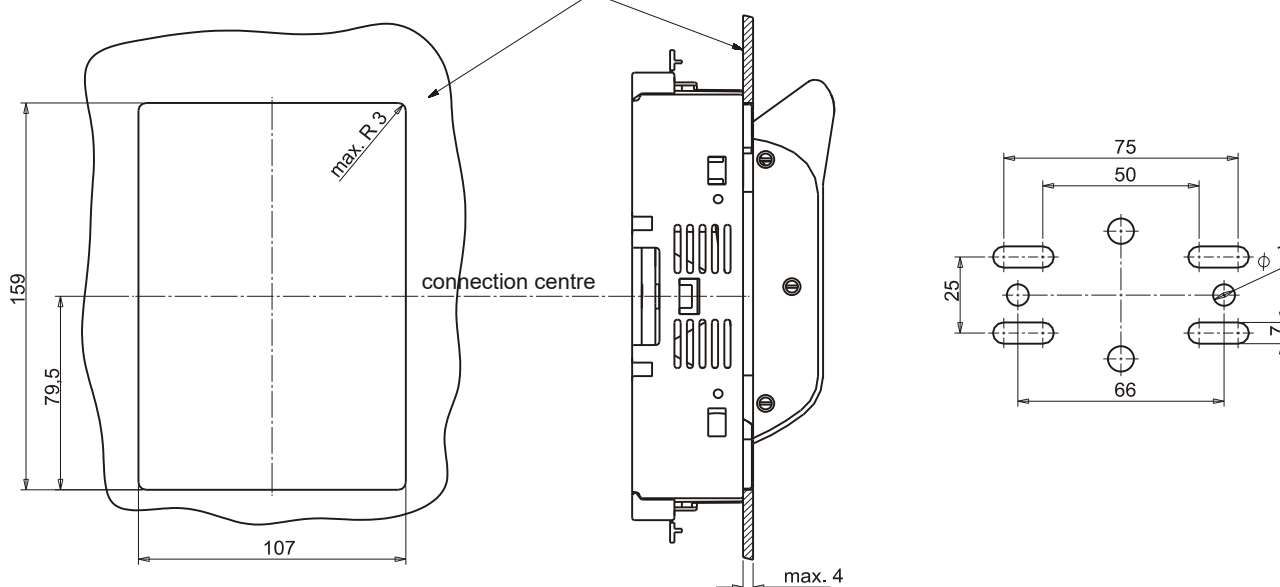
Dimensions for Fuse Switch Disconnecter (MBP-00-160A-3P) (mm)



dimensions of switch board cut out for bottom fixing without cover shield

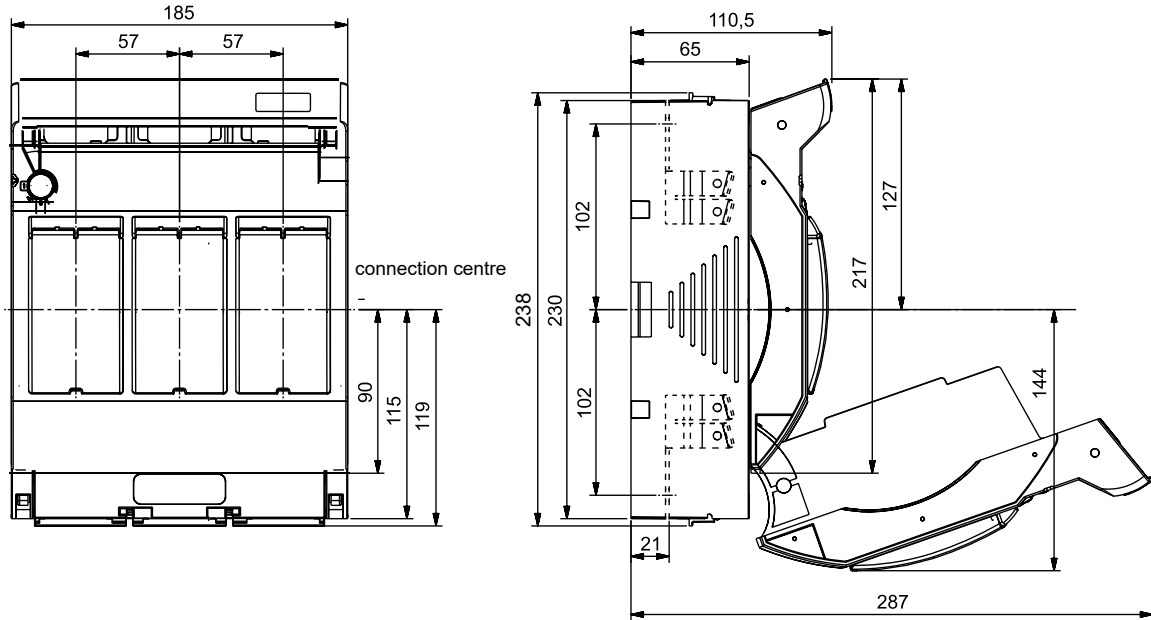
switch board

dimensions for bottom fitting





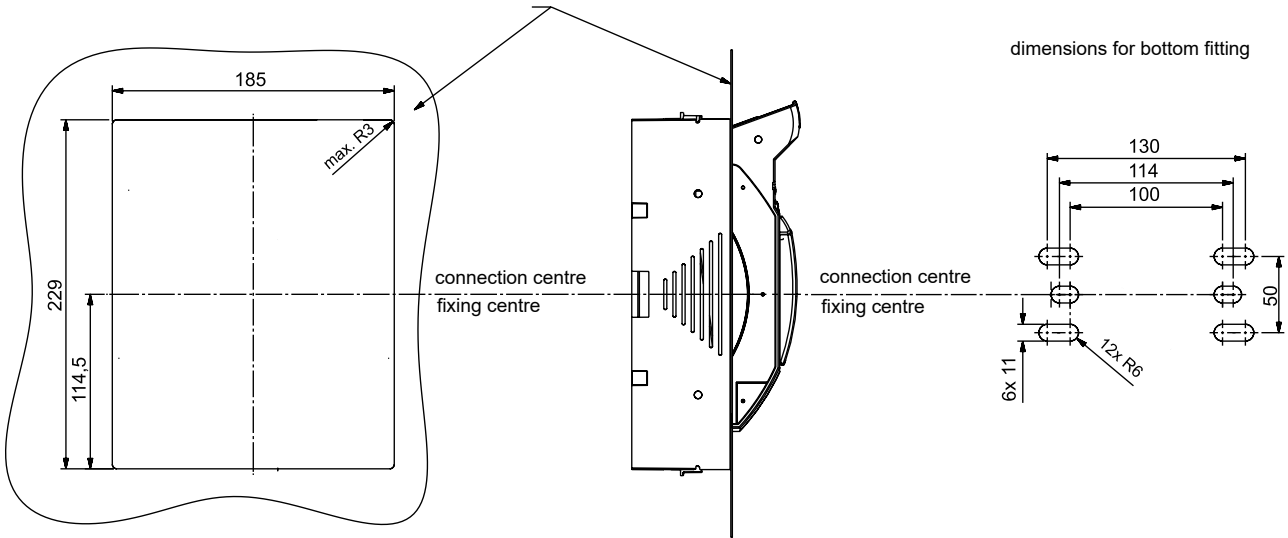
Dimensions for Fuse Switch Disconnecter (MBP-1-250A-3P) (mm)



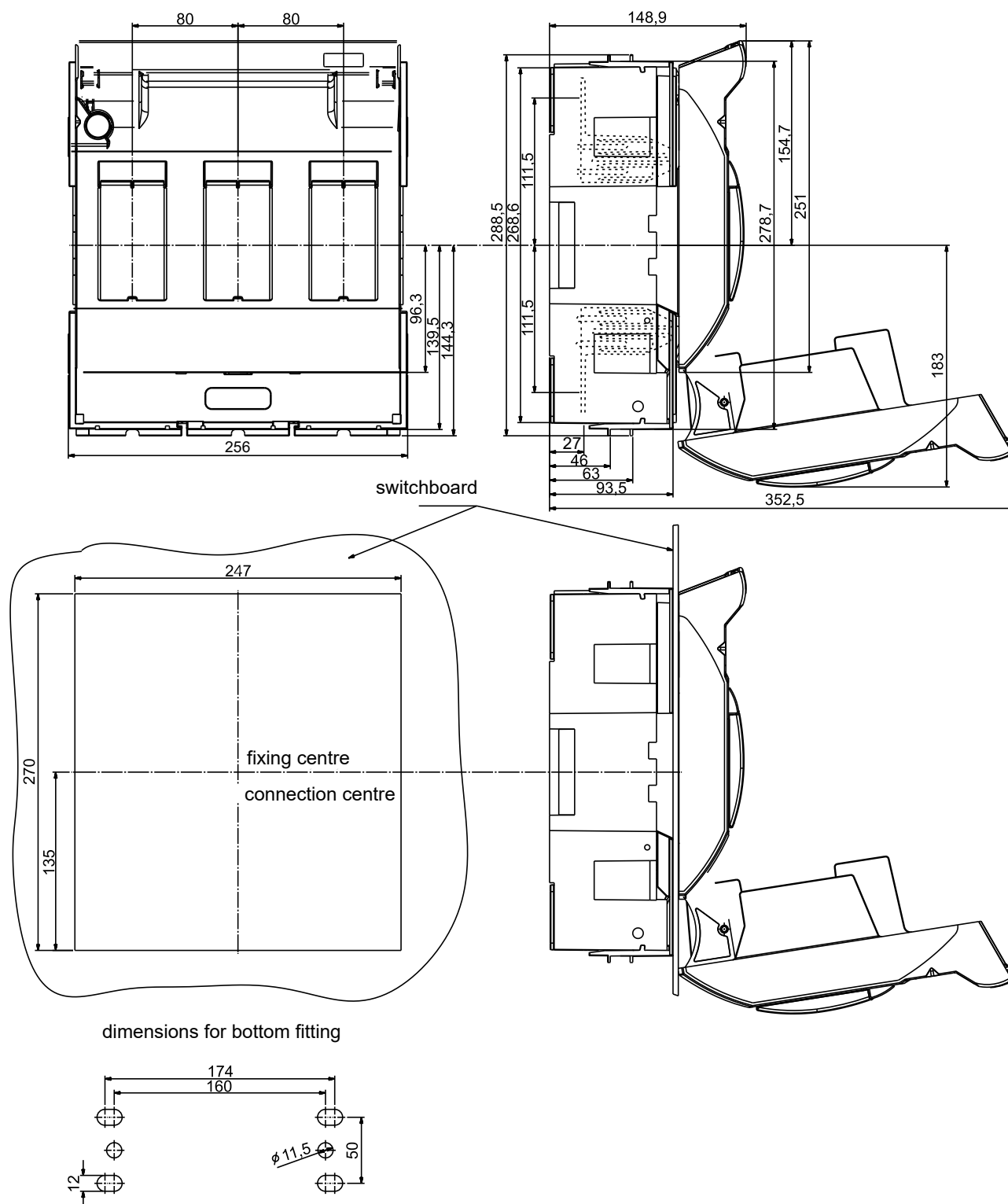
dimensions of switch board cut out for bottom fixing without cover shield

max. thickness of switch board 2mm

dimensions for bottom fitting

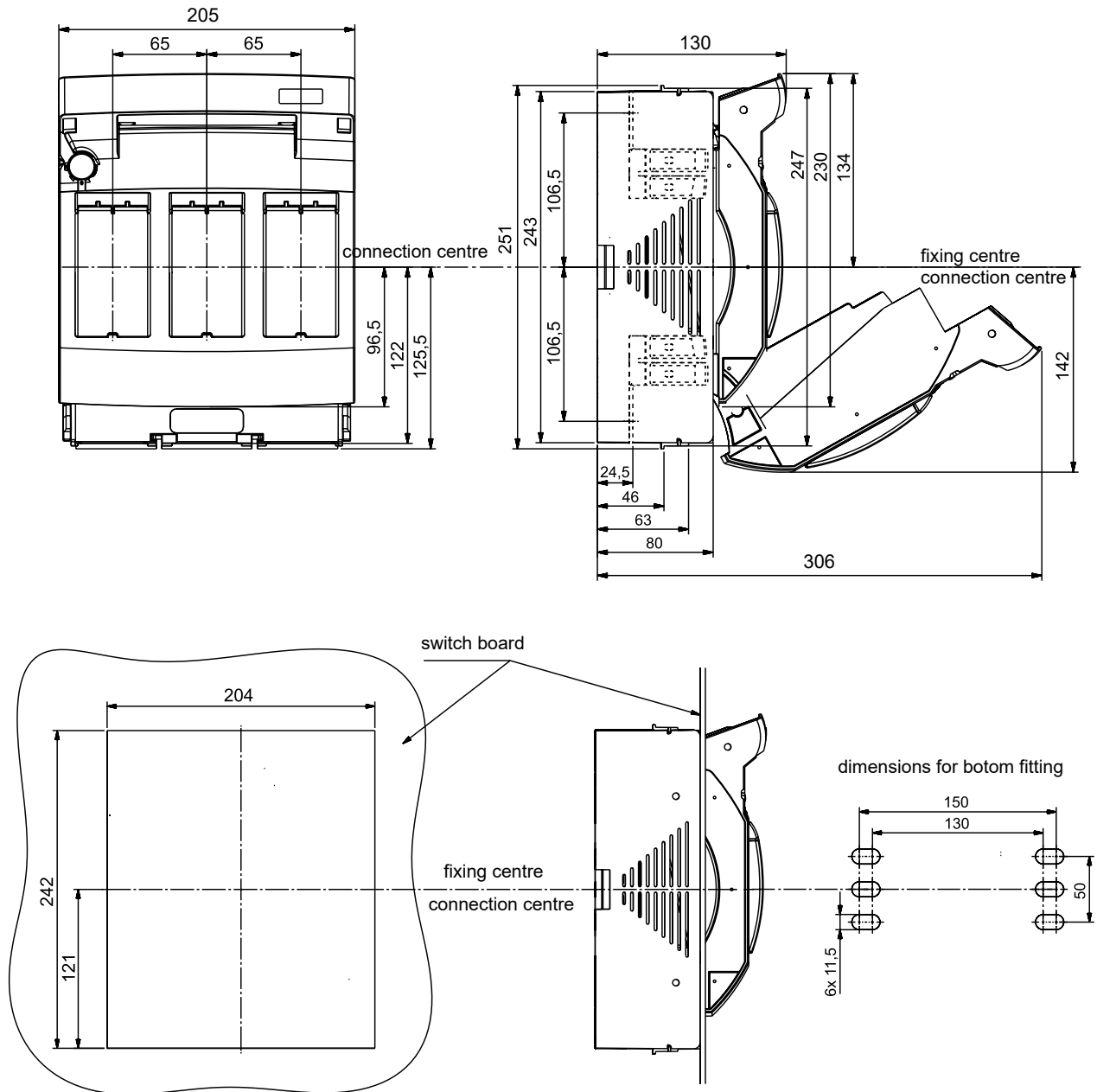


Dimensions for Fuse Switch Disconnecter (MBP-2-400A-3P) (mm)





Dimensions for Fuse Switch Disconnecter (MBP-3-630A-3P) (mm)





Panel Mount Fuse Switch



| Fuse Rating (A) | Cartridge (Size) | Flexible Cable (Max) | Catalogue No. |
|-----------------|------------------|----------------------|-----------------|
| 125 | 000 | 50 mm ² | MBP-000-100A-3P |
| 160 | 00 | 70 mm ² | MBP-00-160A-3P |
| 250 | 1 | 120 mm ² | MBP-1-250A-3P |
| 400 | 2 | 240 mm ² | MBP-2-400A-3P |
| 630 | 3 | 240 mm ² | MBP-3-630A-3P |

Ratings Chart

| NHP Part Number | MBP000100A3P | MBP00160A3P | MBP1250A3P | MBP2400A3P | MBP3630A3P |
|---|----------------|------------------------|-------------------------|-------------------------|-------------------------|
| Number of poles/phases | 3 | 3 | 3 | 3 | 3 |
| Size | 000 | 00 | 1 | 2 | 3 |
| Conventional free air thermal current with NH-fuse links I_{th} | 100 A | 160 A | 250 A | 400 A | 630 A |
| Max. power dissipation of fuse links P_n | 7,5 W | 12 W | 23 W | 34 W | 48 W |
| Conventional free air thermal current with solid links I_{th} | 100 A | 200 A | 400 A | 630 A | 780 A |
| Max. power dissipation of solid links P_n | 1,2 W | 1,2 W | 2,6 W | 9 W | 17,5 W |
| Utilisation category to IEC/EN 60947-3 | AC 22 B | – | – | – | – |
| | AC 21 B | – | – | – | – |
| $U_e = AC 400 V; I_e = 250 A$ | – | AC 23 B | AC 23 B | AC 23 B | AC 23 B |
| $U_e = AC 500 V; I_e = 250 A$ | – | AC 22 B | AC 22 B | AC 22 B | AC 22 B |
| $U_e = AC 690 V; I_e = 200 A$ | – | AC 21 B | AC 21 B | AC 21 B | AC 21 B |
| $U_e = DC 220 V; I_e = 250 A$ | – | DC 22 B | – | DC 21 B | – |
| $U_e = DC 440 V; I_e = 250 A$ | – | DC 21 B | DC 21 B | – | – |
| Rated operational voltage U_e | 690 V | 690 V | 690 V | 690 V | 690 V |
| Rated insulation voltage U_i | 690 V | 1000 V | 1000 V | 1000 V | 1000 V |
| Rated impulse withstand voltage U_{imp} | 6 kV | 8 kV | 12 kV | 12 kV | 12 kV |
| Rated frequency | 50 ... 60 Hz | 50 ... 60 Hz | 50 ... 60 Hz | 50 ... 60 Hz | 50 ... 60 Hz |
| Degree of protection | IP 20 | IP 30 | IP 20 | IP 20 | IP 20 |
| Degree of pollution | 3 | 3 | 3 | 3 | 3 |
| Rated conditional short-circuit current with fuse links | 80 kA | – | – | – | – |
| $U_e = AC 400 V; I_e = 250 A$ | – | 80 kA | 80 kA | 80 kA | 80 kA |
| $U_e = AC 500 V; I_e = 250 A$ | – | 80 kA | 50 kA | 80 kA | 80 kA |
| $U_e = AC 690 V; I_e = 200 A$ | – | 80 kA | 50 kA | 80 kA | 50 kA |
| Rated short circuit making capacity with solid links I_{cm} | | 6.2 kAsw | 8.2 kAsw | 10.6 kAsw | 18.6 kAsw |
| Rated short-time withstand current I_{cw} | | 4 kA / 1 s | 8 kA / 1 s | 13 kA / 1 s | 18 kA / 1 s |
| Power dissipation by I_{th} without NH-fuse links | | 11 W | 13 W | 27 W | 53 W |
| Power dissipation by I_{th} 400 A without solid links | 7 W | 17 W | 33 W | 67 W | 81 W |
| Installation mode | bottom fitting | bottom fitting | bottom fitting | bottom fitting | bottom fitting |
| Cable terminal connection | | | | | |
| Standard cable terminal | – | M8 | M10 | M10 | M12 |
| for cable lugs Cu max. | – | 2 x 70 mm ² | 2 x 150 mm ² | 2 x 185 mm ² | 2 x 240 mm ² |
| for cable lugs Al max. | – | 2 x 70 mm ² | 2 x 185 mm ² | 2 x 240 mm ² | 2 x 300 mm ² |
| for copper bars with max. dimensions | – | 20 x 5 mm | 30 x 10 mm | 35 x 10 mm | 45 x 10 mm |

DIN Fuse Switch Disconnect - Busbar Mount



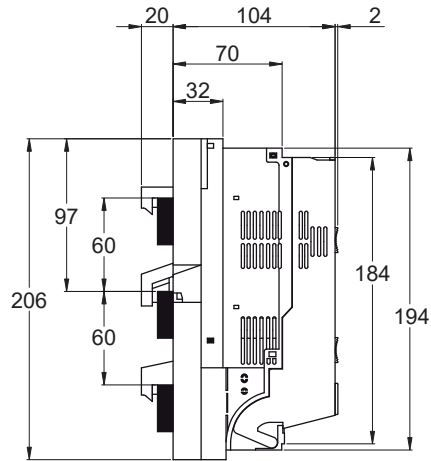
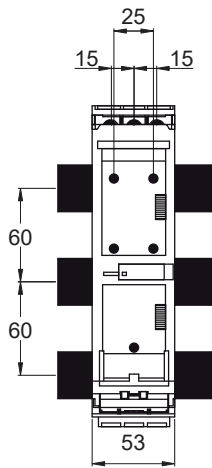
- ✓ Suits DIN-NH fuse links 2 to 250 A
- ✓ 3-pole switching
- ✓ AS/NZS 60947-3, EN 60947-3 / IEC 60947-3
- ✓ Fuses have mechanical retention in disconnecter lid
- ✓ Front- side degree of protection IP30, degree of protection depends on installation
- ✓ Test openings in disconnecter lid self-closing
- ✓ Recommended mounting position: handle at top
- ✓ 60 mm system (fuse sizes 000, 00, 1, 2, 3)
- ✓ Screwless busbar connection, locks on and makes contact easily and securely



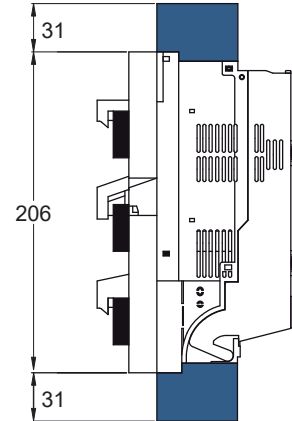
General

| | | |
|---|--|------|
| Un, Nominal Operational Voltage, AC | 690 | V AC |
| Ue, Rated Operational Voltage, AC | 690 | V AC |
| Ue, Rated Operational Voltage, DC, Max | 440 | V DC |
| Uimp, Impulse Withstand Voltage | 6 | kV |
| Rated Peak Withstand Current | 80 | kA |
| IP Rating | IP30 | |
| Standards Compliance | IEC 60947-3 EN 60947-3 IEC 60269-2-1 DIN VDE 0636-2 | |
| Certifications | CE | |
| Service Information | Product is not repairable. Please contact your local NHP sales representative for assistance. | |

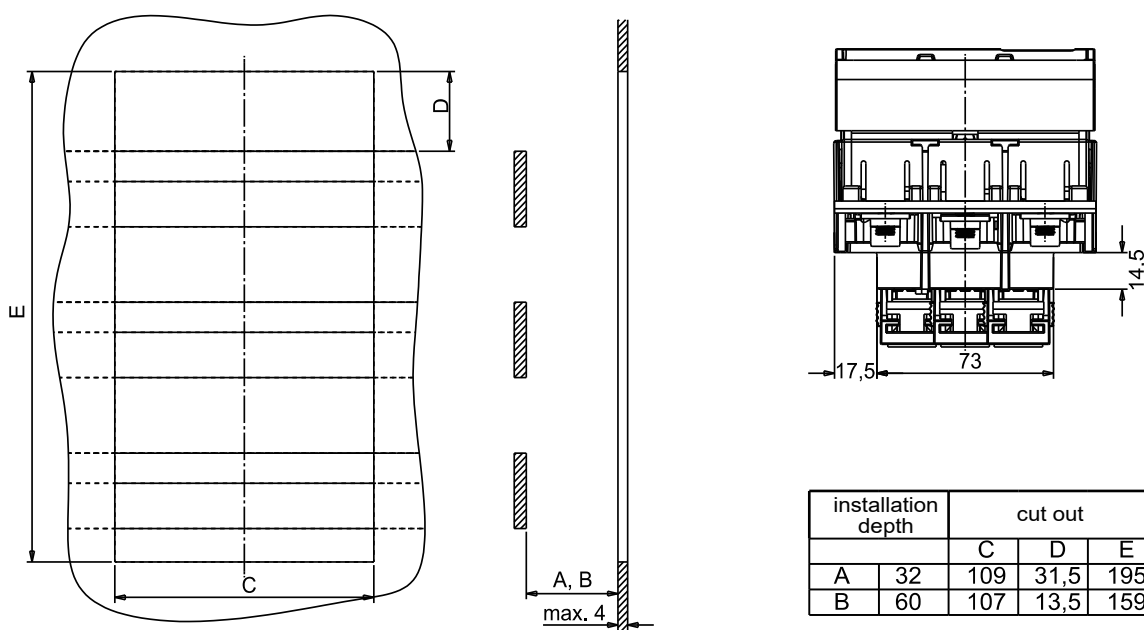
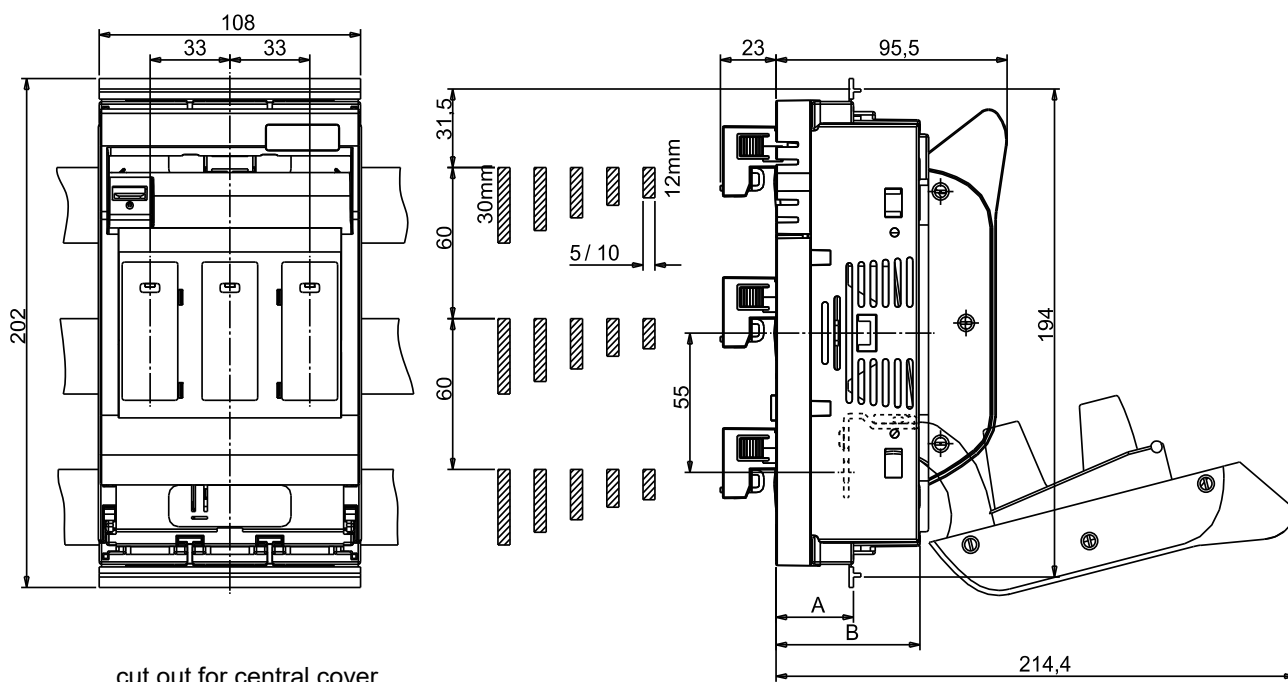
Dimensions for Fuse Switch Disconnecter (MBB-000-100A-3P) (mm)



cover for cable terminal connection
Art. Nr. 1.002.644
(accessory)

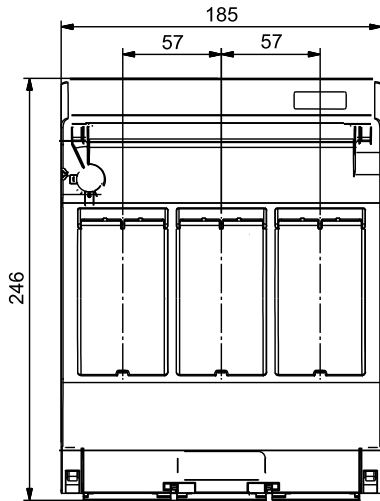


Dimensions for Fuse Switch Disconnecter (MBB-00-160A-3P) (mm)

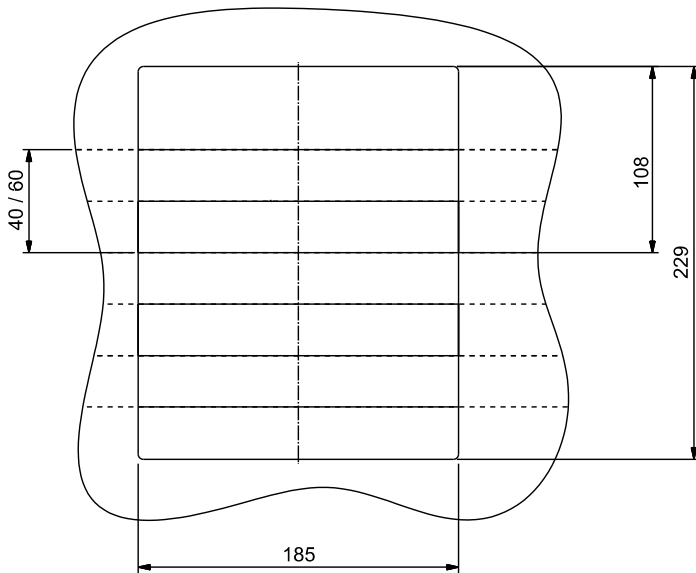
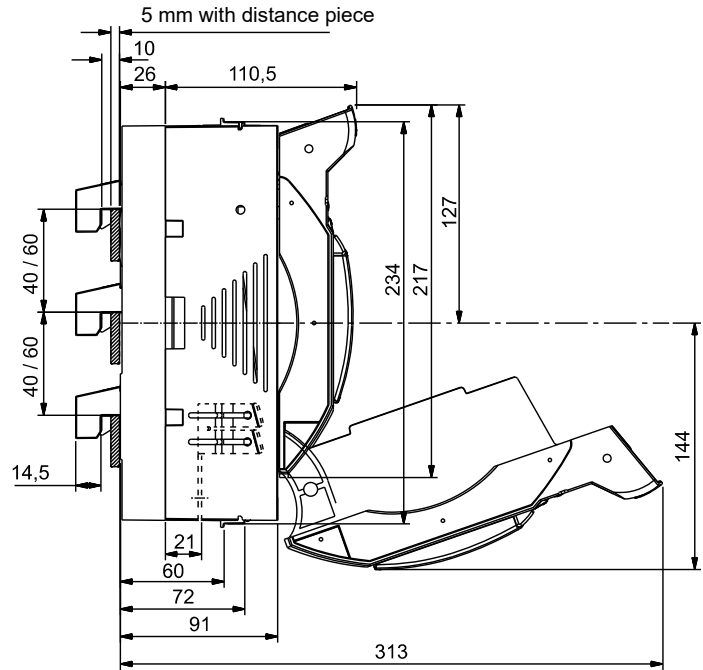


| installation depth | cut out | | | |
|--------------------|---------|-----|------|-----|
| | C | D | E | |
| A | 32 | 109 | 31,5 | 195 |
| B | 60 | 107 | 13,5 | 159 |

Dimensions for Fuse Switch Disconnecter (MBB-1-250A-3P) (mm)



switch board cut out



Busbar Mount



| Fuse Rating (A) | Cartridge (Size) | Flex Cable (Max) | H x W x D (mm) | Catalogue No. |
|-----------------|------------------|---------------------|-----------------|-----------------|
| 125 | 000 | 50 mm ² | 200 x 89 x 97 | MBB-000-100A-3P |
| 160 | 00 | 70 mm ² | 200 x 106 x 97 | MBB-00-160A-3P |
| 250 | 1 | 120 mm ² | 243 x 184 x 129 | MBB-1-250A-3P |

Rating Table for Panel Mount Version

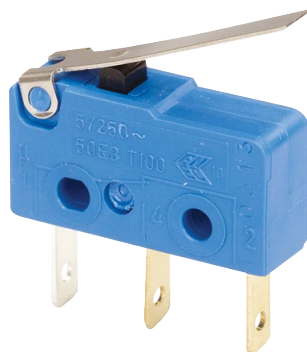
| For Fuse Link Sizes | 000 | 00 | 1 | 2 | 3 |
|---|-----------------------|-----------------------|-----------------------|-----------------------|-----------------------|
| Type of Current | AC (50 - 60 Hz) DC | AC (50 - 60 Hz) DC | AC (50 - 60 Hz) DC | AC (50 - 60 Hz) DC | AC (50 - 60 Hz) DC |
| Rated Operating Voltage (U_e) | 690 V AC | 690 V AC | 690 V AC | 690 V AC | 690 V AC |
| | 440 V DC | 440 V DC | 440 V DC | 440 V DC | 440 V DC |
| Rated Insulation Voltage (U_i) | 800 V | 800 V | 800 V | 800 V | 800 V |
| Rated Surge Withstand Capacity (U_{imp}) | 6 kV | 6 kV | 6 kV | 6 kV | 6 kV |
| Max. Rated Operating Current (I_e) | 125 A | 160 A | 250 A | 400 A | 630 A |
| Conditional Rated Short-Circuit Current | 50 kA | 50 kA | 80 kA | 50 kA | 50 kA |
| For VDE 0636-2 NH Fuses of All Operating Classes With Power Dissipation Per Phase | 9 W | 12 W | 23 W | 34 W | 48 W |

Fuse Switch Disconnecter for Busbar Mount

| For Fuse Link Sizes | 00 | 1 |
|---|------------------------------------|-----------------------------------|
| Type of Current | AC (50 - 60 Hz) DC | AC (50 - 60 Hz) - |
| Rated Operational Voltage (U_e) | 690 V AC, 440 V DC | 690 V AC |
| Rated Insulation Voltage (U_i) | 800 V AC | 800 V AC |
| Rated Surge Withstand Capacity (U_{imp}) | 6k V | 6k V |
| Max. Rated Operating Current (I_e) | 125 A | 250 A |
| Conditional Rated Short-Circuit Current Using gG Fuse Links | 50 kA size 00; 125 A - 690 V | 50 kA size 1; 250 A - 690 V |
| For VDE 0636-2 NH Fuses of All Operating Classes With Power Dissipation Per Phase | 10 W | 23 W |



Auxiliary Contacts



| Item Description | Catalogue No. |
|---|---------------|
| Pilot Switch LID Position Size 000/00/2/3 Fuse Disconnect | MBPSW |

Shrouds for Cable Lugs

Top or bottom mount terminal covers.

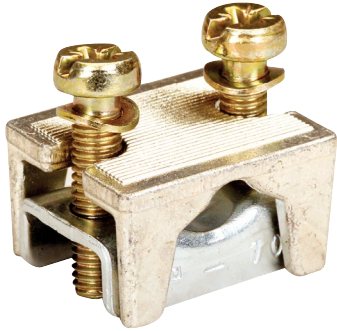


| Item Description | Catalogue No. |
|--|---------------|
| Busbar Mount Cable Lugs Shroud Size 00 | MBBCS003P |



| Item Description | Catalogue No. |
|---|---------------|
| Base Mount Cable Shroud Suits Size 1 3P | MBBCS13P |
| Base Mount Cable Shroud Suits Size 2 3P | MBBCS23P |
| Base Mount Cable Shroud Suits Size 3 3P | MBBCS33P |

Termination Options



| Item Description | Catalogue No. |
|--------------------------------|---------------|
| Wedge Clamp size 1 single each | MBCC1 |
| Wedge Clamp size 2 single each | MBCC2 |
| Wedge Clamp size 3 single each | MBCC3 |

DIN-NH Standard Switch Fuses (20 to 1250 A)



- ✓ 90-degree rotatory open-close. Supplied with handle and shaft for external operation
- ✓ Handles and switch fuse bodies both include a padlock facility to lock OFF the switch for lockout tagout (LOTO) insulation
- ✓ Suits DIN-NH fuse links 20 to 1250 A
- ✓ 100 kA fault rating
- ✓ 690 V AC rated
- ✓ Double breaking per pole (top and bottom) for isolated fuse removal
- ✓ Positive break indication
- ✓ TEST position for testing control circuits without energising the power poles using U-type auxiliary contacts
- ✓ Option: Fuse Monitoring Device for remote blown fuse indication
- ✓ Front Operated, Base mount
- ✓ Supplied with external handle and 320 mm shaft
- ✓ IP30
- ✓ Base Mounting

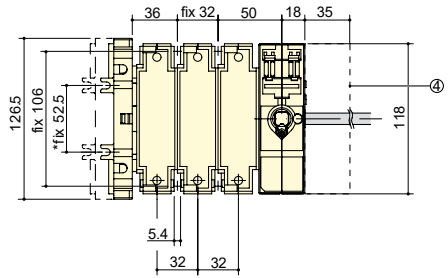
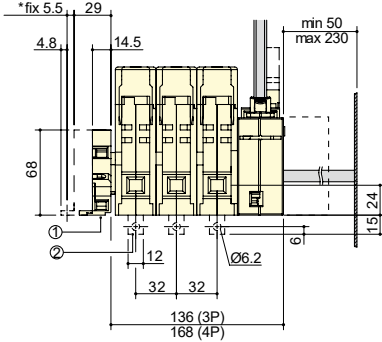
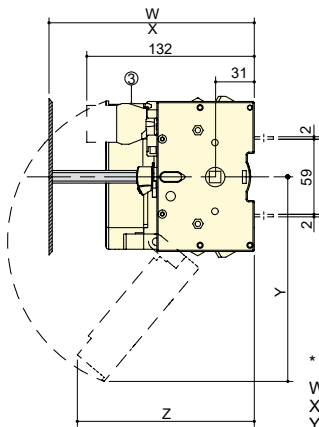


General

| | | |
|--|--|--------|
| Un, Nominal Operational Voltage, AC | 690 | V AC |
| Ue, Rated Operational Voltage, AC | 690 | V AC |
| Ue, Rated Operational Voltage, DC, Max | 440 | V DC |
| Uimp, Impulse Withstand Voltage | 8 - 12 | kV |
| Rated Peak Withstand Current 550 V | 80 | kA |
| Maximum Operating Temperature With Derating | 70 | °C max |
| IP Rating | IP30 (using shrouds) | |
| Standards Compliance | IEC 60947-3 AS/NZS 60947-3 IEC 60269-2-1 DIN 43620-3 AS 60269.2.1 | |
| Certifications | CCC KEMA | |
| Service Information | Product is not repairable. Please contact your local NHP sales representative for assistance. | |



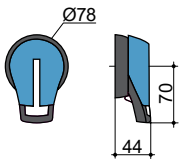
Dimensions for SSF BS (63 A) and DIN (63 A) Switch Fuses (mm)



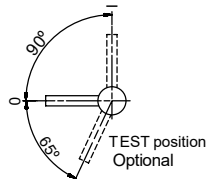
* to use if pre-break auxiliary contact number > 4
 W: 124 + N x 23.5 for BS; 139 for DIN
 X: 145 + N x 23.5 for BS; 145 for DIN
 Y: 159 only for DIN
 Z: 145 only for DIN

- ① S type auxiliary contact N/O + N/C to use if block number > 4.
- ② Rear connection (option).
- ③ 1 to 4 pre-break auxiliary contact for signalling.
- ④ Additional contact holder for U type AC.

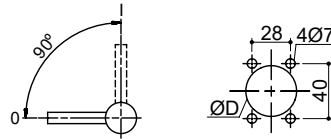
Door drilling



S1 handle

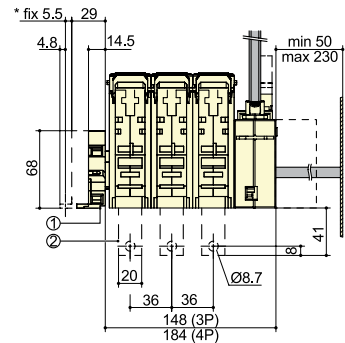
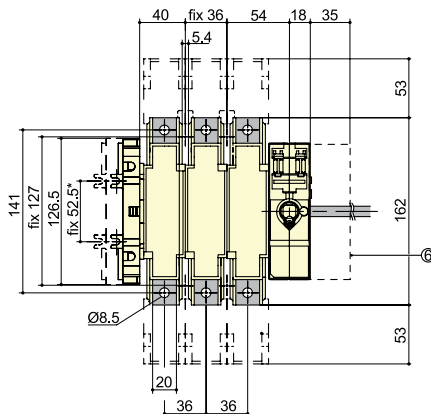
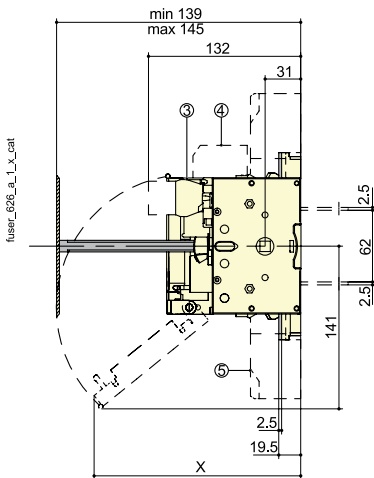


S type handle – front operation
 Conventional fixing (from rear): D = 31 to 37 mm
 Fast fixing (external, door closed): D = 37 mm



S type handle – side operation
 Conventional fixing (from rear): D = 31 to 37 mm
 Fast fixing (external, door closed): D = 37 mm

Dimensions for SSF BS (100 A) and DIN (125 A) Switch Fuses (mm)

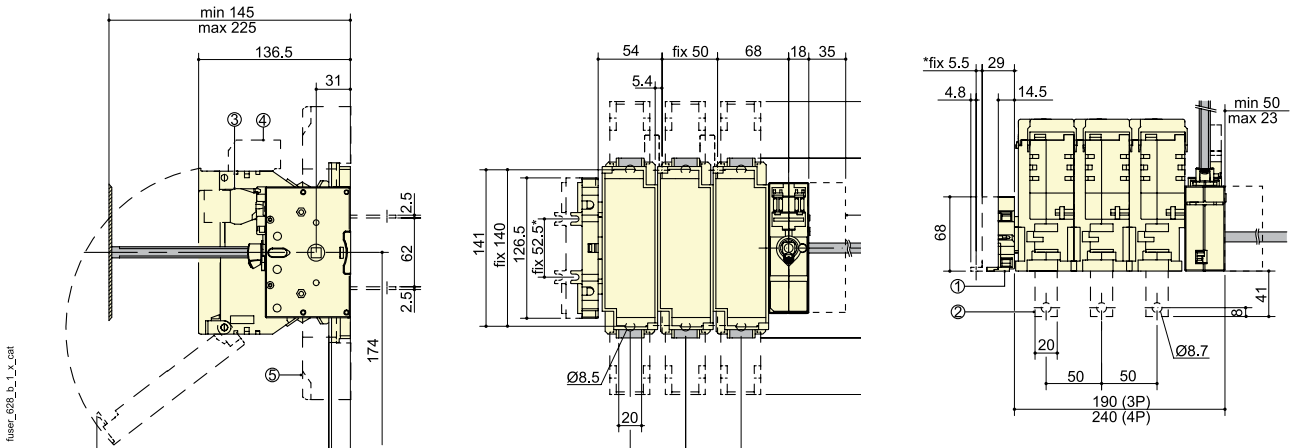


* to use if pre-break auxiliary contact number > 4
 X: 179 for BS88 / NFC and DIN 100 to 125 A
 189 for NFC and DIN 125 to 160 A

- ① S-type auxiliary contact NO + NC to use if block number > 4
- ② Rear connection (option)
- ③ 1 to 4 pre-break auxiliary contact for signalling
- ④ 1 or 2 pre-break auxiliary contact (fuse blown indication)
- ⑤ Terminal shrouds
- ⑥ Additional contact holder for U-type AC

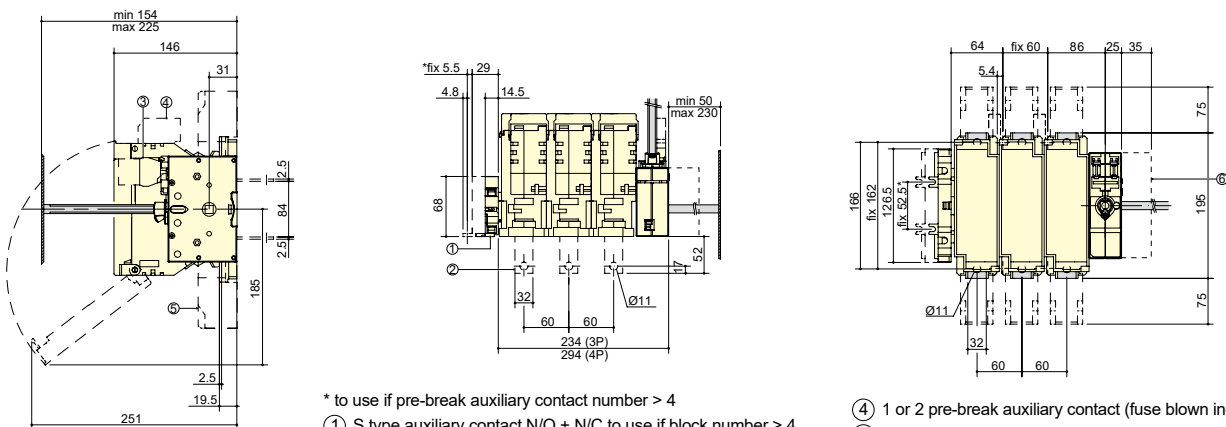


Dimensions for SSF BS (160 A) and DIN (160 A) Switch Fuses (mm)



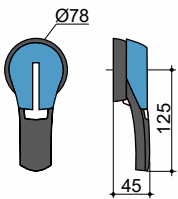
- * to use if pre-break auxiliary contact number > 4
- ① S-type auxiliary contact NO + NC to use if block number > 4
- ② Rear connection (option)
- ③ 1 to 4 pre-break auxiliary contact for signalling
- ④ 1 or 2 pre-break auxiliary contact (fuse blown indication)
- ⑤ Terminal shrouds
- ⑥ Additional contact holder for U-type AC

Dimensions for SSF BS (200 - 250 A) and DIN (250 A) Switch Fuses (mm)

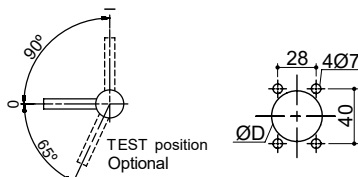


- * to use if pre-break auxiliary contact number > 4
- ① S type auxiliary contact N/O + N/C to use if block number > 4.
- ② Rear connection (option).
- ③ 1 to 8 pre-break auxiliary contact for signalling.
- ④ 1 or 2 pre-break auxiliary contact (fuse blown indication).
- ⑤ Terminal shrouds.
- ⑥ Additional contact holder for U type AC.

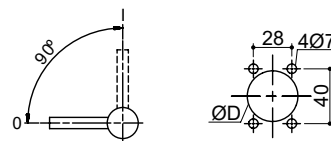
Door drilling



S2 handle



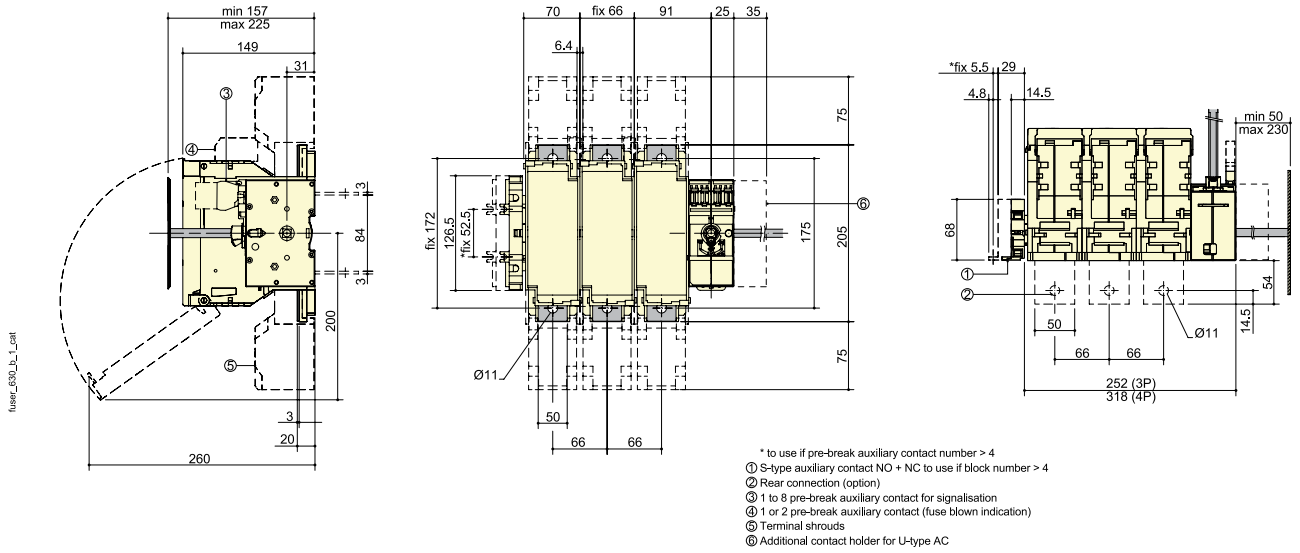
S type handle – front operation
 Conventional fixing (from rear): D = 31 to 37 mm
 Fast fixing (external, door closed): D = 37 mm



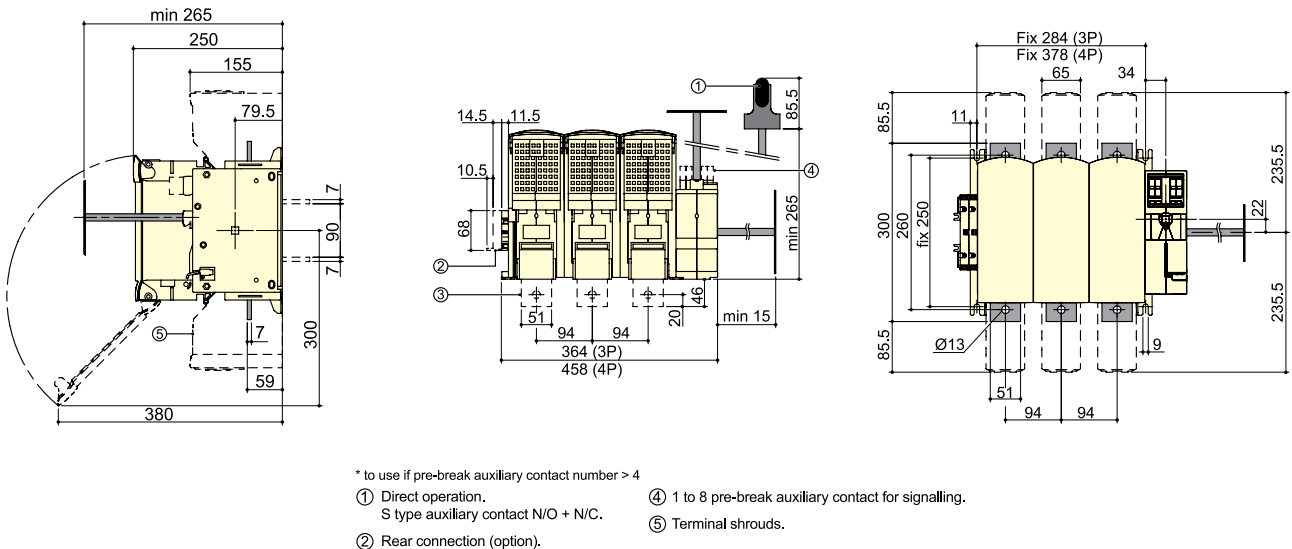
S type handle – side operation
 Conventional fixing (from rear): D = 31 to 37 mm
 Fast fixing (external, door closed): D = 37 mm



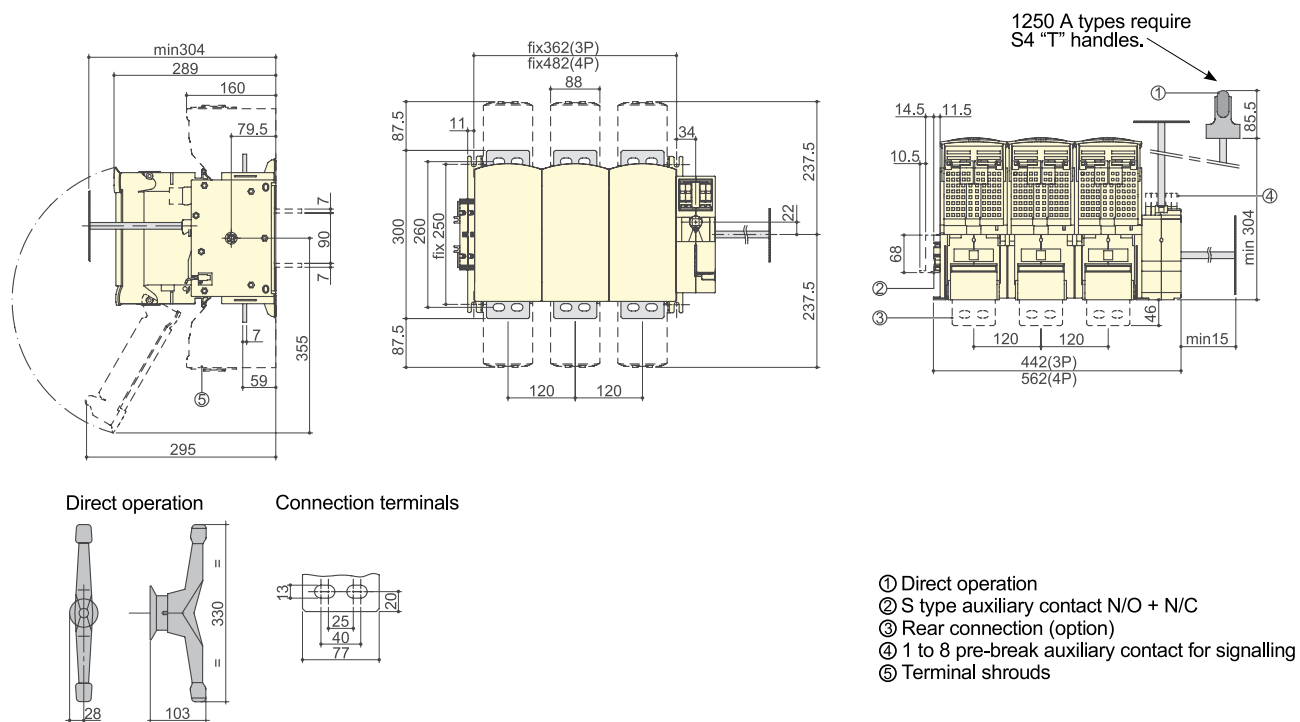
Dimensions for SSF BS (315 - 400 A) and DIN (400 A) Switch Fuses (mm)



Dimensions for SSF BS (630 - 800 A) and DIN (630 - 800 A) Switch Fuses (mm)



Dimensions for SSF BS (1250 A) and DIN (1250 A) (mm)





DIN-NH Standard Switch Fuses (20 to 1250 A)

Front operated, base mount (supplied with external handle and 320 mm shaft)

| Fuse Rating (A) | DIN Cartridge Size | No. of Poles | AC - 21A (A @ 400 V) | AC - 23A (A @ 400 V) | AC - 23A (kW @ 400 V) | Catalogue No. |
|-----------------|--------------------|--------------|----------------------|----------------------|-----------------------|---------------|
| 63 | 00 | 3 | 63 | 63 | 30 | SSFDN633P |
| 125 | 00 | 3 | 125 | 125 | 63 | SSFDN1253P |
| 160 | 00 | 3 | 160 | 160 | 80 | SSFDN1603P |
| 250 | 1 | 3 | 250 | 250 | 132 | SSFDN2503P |
| 400 | 2 | 3 | 400 | 400 | 220 | SSFDN4003P |
| 630 | 3 | 3 | 630 | 630 | 355 | SSFDN6303P |
| 800 | 3 | 3 | 800 | 800 | 450 | SSFDN8003P |
| 1250 | 4 | 3 | 1250 | 1000 | 560 | SSFDN12503P |
| 63 | 00 | 4 | 63 | 63 | 30 | SSFDN634P |
| 125 | 00 | 4 | 125 | 125 | 63 | SSFDN1254P |
| 160 | 00 | 4 | 160 | 160 | 80 | SSFDN1604P |
| 250 | 1 | 4 | 250 | 250 | 132 | SSFDN2504P |
| 400 | 2 | 4 | 400 | 400 | 220 | SSFDN4004P |
| 630 | 3 | 4 | 630 | 630 | 355 | SSFDN6304P |
| 800 | 3 | 4 | 800 | 800 | 450 | SSFDN8004P |
| 1250 | 4 | 4 | 1250 | 1000 | 560 | SSFDN12504P |

General (20 - 160 A)

| | | | | 20 A | 32C A | 32 A | 63 A | 100 A | 125 A | 160 A | 160 A |
|--|-----------|---|---|------|-------|------|----------|-------|-------|---------|-------|
| DIN or BS Fuse Types | | | | BS | BS | BS | DIN / BS | BS | DIN | BS | DIN |
| Fuse Types, gG General Purpose AS 60269.2.1:2005, AS/NZS 60269.2.1:2001 | DIN 43620 | – | – | – | – | – | 00C | – | 0 | – | 0 |
| | BS 88 | – | – | A1 | A1 | A1 | A2 - A3 | A4 | – | B1 - B2 | – |

Ratings Data (20 - 160 A)

| | | | | 20 A | 32C A | 32 A | 63 A | 100 A | 125 A | 160 A | 160 A |
|---|----------------------|-------|------|------|-------|------------------|------------------|-------------------|-------------------|-------------------|-------------------|
| Rated Insulation Voltage | – | – | V | 800 | 800 | 750 | 750 | 750 | 750 | 750 | 750 |
| Rated Impulse Withstand Voltage | – | – | kV | 8 | 8 | 8 | 8 | 8 | 8 | 8 | 8 |
| AC Rated Operational Current | AC 21 A | 400 V | A | 20 | 32 | 32 | 63 | 100 | 125 | 160 | 160 |
| | | 690 V | A | 20 | 32 | 32 | 63 | 100 ¹⁾ | 125 ¹⁾ | 160 ¹⁾ | 160 ¹⁾ |
| | AC 22 A | 400 V | A | 20 | 32 | 32 | 63 | 100 | 125 | 160 | 160 |
| | | 690 V | A | 20 | 32 | 32 | 63 | 100 ¹⁾ | 125 ¹⁾ | 160 ¹⁾ | 160 ¹⁾ |
| | AC 23 A | 400 V | A | 20 | 32 | 32 | 63 | 100 | 125 | 160 | 160 |
| | | 690 V | A | 20 | 32 | 32 | 63 | 100 ¹⁾ | 100 ¹⁾ | 125 ¹⁾ | 125 ¹⁾ |
| DC Rated Operational Current / Poles in Series | DC 21 A | 220 V | A | – | – | 32 | 63 | 100 | 125 | 160 | 160 |
| | | 440 V | A | – | – | 32 ²⁾ | 63 ²⁾ | 100 ²⁾ | 125 ²⁾ | 160 ²⁾ | 160 ²⁾ |
| | DC 22 A | 220 V | A | – | – | 32 | 63 | 100 | 125 | 160 | 160 |
| | | 440 V | A | – | – | 32 ²⁾ | 63 ²⁾ | 100 ²⁾ | 125 ²⁾ | 160 ²⁾ | 160 ²⁾ |
| | DC 21 A | 220 V | A | – | – | 32 | 40 | 100 | 100 | 125 | 125 |
| | | 440 V | A | – | – | 32 ²⁾ | 40 ²⁾ | 100 ²⁾ | 100 ²⁾ | 160 ²⁾ | 125 ²⁾ |
| Operational Power | Without Pre-break AC | 440 V | kW | 9 | 15 | 15 | 30 | 51 | 63 | 80 | 80 |
| | Without Pre-break AC | 690 V | kW | 15 | 25 | 25 | 55 | 90 | 90 | 110 | 110 |
| Rated Capacitor Power | – | – | kVAr | 8 | 15 | 15 | 28 | 45 | 55 | 75 | 75 |

Notes

1) With terminal shrouds/screen.

2) 4 pole device with 2 poles in series by polarity.

240 / 415 V ratings suitable for use on 230 / 400 V in accordance with AS 60038: 2012.

Ratings to AS/NZS 60947-3 and IEC 60947-3

General (200 - 1250 A)

| | | | | 200 A | 250 A | 315 A | 400 A | 630 A | 800 A | 1250 A |
|--|-----------|---|---|--------|---------------|---------------|-------------------|----------|---------------|----------|
| DIN or BS Fuse Types | | | | BS | DIN / BS | BS | DIN / BS | DIN / BS | DIN / BS | DIN / BS |
| Fuse Types, gG General Purpose AS 60269.2.1:2005, AS/NZS 60269.2.1:2001 | DIN 43620 | – | – | – | 1 | – | 2 | 3 | 3 | 4 |
| | BS 88 | – | – | B1, B2 | B1, B2, B3 | B1, B2, B3 | B1, B2, B3, B4 | C1, C2 | C1, C2, C3 | D1 |

Ratings Data (200 - 1250 A)

| | | | | 200 A | 250 A | 315 A | 400 A | 630 A | 800 A | 1250 A |
|---|----------------------|----------|------|-------------------|-------------------|-------------------|-------|-------|-------------------|--------------------|
| Rated Insulation Voltage | | V | | 750 | 750 | 800 | 800 | 1000 | 1000 | 1000 |
| Rated Impulse Withstand Voltage | | kV | | 8 | 8 | 8 | 8 | 12 | 12 | 12 |
| AC Rated Operational Current | AC 21 A | 400 V A | | 200 | 250 | 315 | 400 | 630 | 800 | 1250 |
| | | 690 V A | | 200 ¹⁾ | 250 ¹⁾ | 315 ¹⁾ | 315 | 500 | 800 | 800 |
| | AC 22 A | 400 V A | | 200 | 250 | 315 | 400 | 630 | 800 | 1250 |
| | | 690 V A | | 200 ¹⁾ | 250 ¹⁾ | 315 ¹⁾ | 315 | 500 | 800 | 800 |
| | AC 23 A | 400 V A | | 200 | 250 | 315 | 400 | 630 | 800 | 1000 |
| | | 690 V A | | 200 ¹⁾ | 250 ¹⁾ | 250 ¹⁾ | 250 | 315 | 630 | 630 |
| DC Rated Operational Current / Poles in Series | DC 21 A | 220 V A | | 200 | 250 | 250 | 315 | 315 | 800 | 1250 |
| | | 440 V A | | 250 ²⁾ | 250 ²⁾ | 250 ²⁾ | 315 | 315 | 800 ²⁾ | 1000 ²⁾ |
| | DC 22 A | 220 V A | | 200 | 250 | 250 | 315 | 315 | 800 | 1250 |
| | | 440 V A | | 250 ²⁾ | 250 ²⁾ | 250 ²⁾ | 315 | 315 | 800 ²⁾ | 1000 ²⁾ |
| | DC 21 A | 220 V A | | 200 | 200 | 200 | 200 | 400 | 800 | 1250 |
| | | 440 V A | | 200 ²⁾ | 200 ²⁾ | 200 ²⁾ | 250 | 315 | 800 ²⁾ | 1000 ²⁾ |
| Operational Power | Without Pre-break AC | 440 V kW | | 100 | 132 | 160 | 220 | 355 | 63 | 560 |
| | Without Pre-break AC | 690 V kW | | 150 | 220 | 222 | 220 | 295 | 90 | 400 |
| Rated Capacitor Power | – | – | kVAr | 90 | 115 | 145 | 185 | 290 | 365 | 460 |

Notes

1) With terminal shrouds/screen.

2) 4 pole device with 2 poles in series by polarity.

240 / 415 V ratings suitable for use on 230 / 400 V in accordance with AS 60038: 2012.

Ratings to AS/NZS 60947-3 and IEC 60947-3

Connection (20 - 160 A)

| | | | | 20 A | 32C A | 32 A | 63 A | 100 A | 125 A | 160 A | 160 A |
|-------------------------------------|---|---|-----------------|----------|----------|--------|---------|---------|---------|---------|---------|
| Connection Cable Size (Min. / Max.) | – | – | mm ² | 2.5 / 16 | 2.5 / 16 | 6 / 25 | 10 / 25 | 25 / 95 | 35 / 95 | 50 / 95 | 50 / 95 |

Physical (20 - 160 A)

| | | | | 20 A | 32C A | 32 A | 63 A | 100 A | 125 A | 160 A | 160 A |
|----------------------|---|---|-----|-------|-------|-------|-------|-------|-------|-------|-------|
| Mechanical Endurance | – | – | Ops | 20000 | 20000 | 10000 | 10000 | 10000 | 10000 | 10000 | 10000 |
| Weight (3 Pole) | – | – | Kg | 0.5 | 0.5 | 1.0 | 1.3 | 1.8 | 1.9 | 2.5 | 2.5 |

Short-Circuit Capacity (20 - 160 A)

| | | | | 20 A | 32C A | 32 A | 63 A | 100 A | 125 A | 160 A | 160 A |
|--|---|-------|----|------|-------|------|------|-------|-------|-------|-------|
| Short Circuit Capacity | | | | | | | | | | | |
| Switch-Fuse Cut-Off Current (kA Peak) | – | 400 V | kA | 5.5 | 5.5 | 9 | 10.6 | 20 | 20 | 20 | 22.7 |
| Fuse Protected Short Circuit Withstand | – | 400 V | kA | 80 | 80 | 80 | 80 | 80 | – | 50 | 80 |
| AC DIN or BS (kA RMS Prospective) | – | Fuse | A | 20 | 32 | 32 | 63 | 100 | – | 160 | 160 |

Notes

240 / 415 V ratings suitable for use on 230 / 400 V in accordance with AS 60038: 2012.

Ratings to AS/NZS 60947-3 and IEC 60947-3

Connection (200 - 1250 A)

| | | | | 200 A | 250 A | 315 A | 400 A | 630 A | 800 A | 1250 A |
|-------------------------------------|---|---|-----------------|----------|----------|-----------|-----------|-------------------|-------------------|---------|
| Connection Cable Size (Min. / Max.) | – | – | mm ² | 94 / 240 | 94 / 240 | 185 / 240 | 185 / 240 | 2 x 150 / 2 x 300 | 2 x 185 / 2 x 300 | 4 x 185 |

Physical (200 - 1250 A)

| | | | | 200 A | 250 A | 315 A | 400 A | 630 A | 800 A | 1250 A |
|----------------------|---|---|-----|-------|-------|-------|-------|-------|-------|--------|
| Mechanical Endurance | – | – | Ops | 10000 | 10000 | 10000 | 10000 | 8000 | 8000 | 8000 |
| Weight (3 Pole) | – | – | Kg | 3.8 | 3.8 | 4.8 | 4.8 | 18.7 | 19.8 | 25.0 |

Short-Circuit Capacity (200 - 1250 A)

| | | | | 200 A | 250 A | 315 A | 400 A | 630 A | 800 A | 1250 A |
|---|---|-------|----|-------|-------|-------|-------|-------|-------|--------|
| Short Circuit Capacity | | | | | | | | | | |
| Switch-Fuse Cut-Off Current (kA Peak) | – | 400 V | kA | 32.5 | 32.5 | 40 | 40 | 70 | 80 | 90 |
| Fuse Protected Short Circuit Withstand | – | 400 V | kA | 80 | 80 | 80 | 80 | 80 | 80 | – |
| AC DIN or BS (kA RMS Prospective) | – | Fuse | A | 200 | 250 | 315 | 400 | 630 | 800 | – |

Notes

240 / 415 V ratings suitable for use on 230 / 400 V in accordance with AS 60038: 2012.

Ratings to AS/NZS 60947-3 and IEC 60947-3



Socomec Switch Fuse Direct Mount Handles

Direct Mount Handles

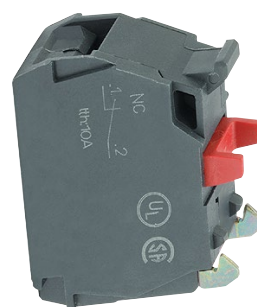
Switch fuse bodies can be padlocked OFF



| Item Description | Catalogue No. |
|--|---------------|
| Direct Mount Handle Suits SSF 20 A - 32 A | 36294012 |
| Direct Mount Handle Suits SSF 63 A - 400 A | 36297910 |
| Direct Mount Handle Suits SSF 630 A - 800 A | 38996011 |
| Direct Mount Handle Suits SSF 800 A - 1250 A | 38997011 |

Socomec Switch Fuse Auxiliaries

Early Break Operation



| Item Description | Catalogue No. |
|--|---------------|
| Auxiliary 1 N/O suits Switch Fuse SSF 20 - 32 A | 39990701 |
| AUX 1 N/C suits Switch Fuse VLB32 - 40 and 125 - 500, SSF 63 - 400 A | 39990702 |



| Item Description | Catalogue No. |
|--|---------------|
| Auxiliary Side 1 N/O / 1 N/C 1st Pos. suits Switch Fuse SSF 63 - 800 A | 39990041 |
| Auxiliary Side 1 N/O / 1 N/C 2nd Pos. suits Switch Fuse SSF 800 - 1250 A | 39990042 |

Socomec Switch Fuse Terminal Shrouds

- Top or bottom touch protection from direct contact with terminals or connection parts
- Perforations allow remote thermgraphic inspection without the need to remove the shrouds
- The shrouds provide phase protection barriers between phases
- The terminals shrouds consist of clip-together 1 pole covers, and can be converted to 3 or 4 pole types
- IP20 rating from front



| Item Description | Catalogue No. |
|--|---------------|
| Terminal Shroud 3 Pole suits Switch Fuse 630 A and 800 A | 38983080 |
| Terminal Shroud 3 Pole suits Switch Fuse 1250 A | 38983120 |
| Terminal Shroud 4 Pole suits Switch Fuse 630 A and 800 A | 38984080 |
| Terminal Shroud 4 Pole suits Switch Fuse 1250 A | 38984120 |
| Terminal Shroud 3 Pole suits Switch Fuse VLB125 - 200 SSF100 - 160 | 39983016 |
| Terminal Shroud 4 Pole suits Switch Fuse VLB125 - 200 SSF100 - 160 | 39984016 |
| Terminal Shroud 3 Pole suits Switch Fuse VLB250 - 500 SSF200 - 400 | 39983025 |
| Terminal Shroud 4 Pole suits Switch Fuse VLB250 - 500 SSF200 - 400 | 39984025 |

Socomec Switch Fuse Solid Neutral Modules

Solid links can be used, when a user wants a switch fuse to be an isoator, and when fuse links are not fitted. Performs the function of an add-on, unswitched neutral pole.



| Item Description | Catalogue No. |
|--|---------------|
| Solid Neutral Module Suits Switch Fuse 32 A | 36299227 |
| Solid Neutral Module Suits Switch Fuse 63 A | 36299232 |
| Solid Neutral Module Suits Switch Fuse 100 A | 36299236 |
| Solid Neutral Module Suits Switch Fuse 160 A | 36299250 |
| Solid Neutral Module Suits Switch Fuse 200 A and 250 A | 36299260 |
| Solid Neutral Module Suits Switch Fuse 315 A and 400 A | 36299266 |
| Solid Neutral Module Suits Switch Fuse 630 A and 800 A | 36299294 |

DIN Solid Links

Din Fuse Solid Link

A solid link can be installed in a switch fuse, when a fuse is not required.



| Item Description | Catalogue No. |
|-------------------------------------|---------------|
| Fuse DIN Solid Links 160 A Size 00C | 64200000 |
| Solid Link Fuse DIN 160 A Size 00 | 64210000 |
| Fuse DIN Solid Links 250 A Size 1 | 64210001 |
| Fuse DIN Solid Links 400 A Size 2 | 64210002 |
| Fuse DIN Solid Links 630 A Size 3 | 64210003 |
| Fuse DIN Solid Links 1250 A Size 4 | 64410005 |

BS Fuse Holders for Clip-In Offset Tag Fuse Links



- ✓ Pull to disconnect circuit and remove fuse
- ✓ Suits offset tag links 2 to 63 A
- ✓ Type gG general purpose rated
- ✓ 550 V AC rated
- ✓ Complies to BS standard
- ✓ DIN rail mount



General

| | | |
|--|-----|------|
| Un, Nominal Operational Voltage, AC | 550 | V AC |
|--|-----|------|

| | | |
|--|-----|------|
| Ue, Rated Operational Voltage, AC | 550 | V AC |
|--|-----|------|

| | | |
|--|---|----|
| Uimp, Impulse Withstand Voltage | 8 | kV |
|--|---|----|

| | | |
|---|----|----|
| Rated Peak Withstand Current 550 V | 80 | kA |
|---|----|----|

| | | |
|--|----|--------|
| Maximum Operating Temperature With Derating | 70 | °C max |
|--|----|--------|

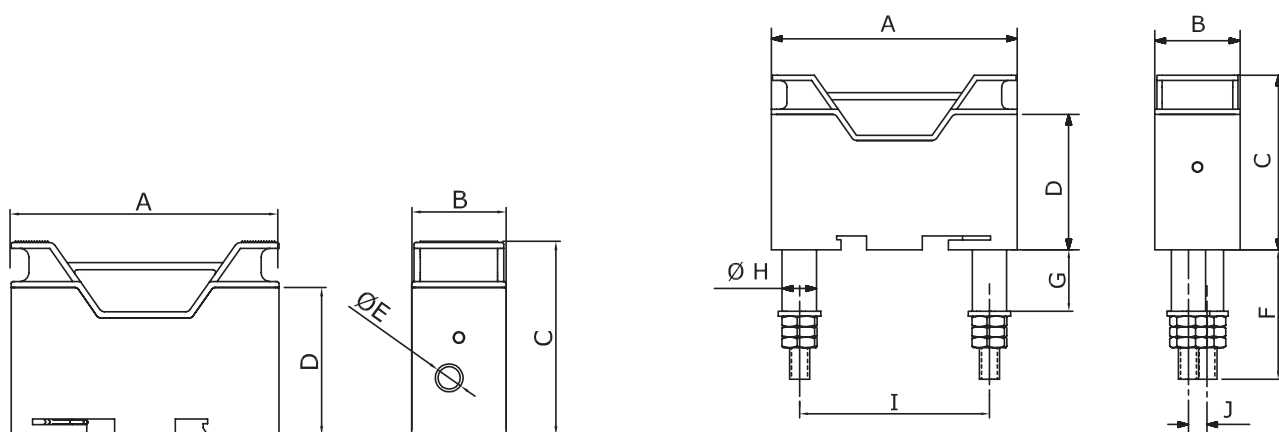
| | |
|------------------|------|
| IP Rating | IP2X |
|------------------|------|

| | |
|-----------------------------|---------------------|
| Standards Compliance | BS 88 AS 60269.1 |
|-----------------------------|---------------------|

| | |
|-----------------------|------|
| Certifications | ASTA |
|-----------------------|------|

| | |
|----------------------------|---|
| Service Information | Product is not repairable. Please contact your local NHP sales representative for assistance. |
|----------------------------|---|

Dimensions for BS Fuse Link Holders (NV Clip-In) (mm)



| Fuse Holder Type | A | B | C | D | E | F | G | H | I | J | K |
|------------------|------|------|----|------|-----|----|------|-----|----|-----|-----|
| NV32FW | 75.5 | 26.5 | 54 | 41.5 | 7.8 | - | - | - | - | - | - |
| NV32FWW | 75.5 | 26.5 | 54 | 41.5 | - | 40 | 17 | 9.7 | 58 | 5.6 | - |
| NV32BBS | 75.5 | 26.5 | 54 | 41.5 | 7.8 | 40 | 17 | 9.7 | - | - | 2.7 |
| NV63FW | 89 | 28.5 | 64 | 48.6 | 9 | - | - | - | - | - | - |
| NV63BBS | 89 | 28.5 | 64 | 48.6 | 9 | 39 | 18.3 | 12 | - | - | 3.3 |

NV Clip in Fuse Holder for Clip-In Fuse Links

| Connection Mode | Fuse Rating (A) | Housing (Colour) | H x W x D (mm) | Wire Conductor Size (mm) | Ue Max (V AC) | Catalogue No. |
|--------------------------|-----------------|------------------|----------------|--|---------------|---------------|
| Rear Stud, Rear Stud | 32 | Black | 75.5 x 27 x 56 | 1 mm ² - 16 mm ² | 550 | NV32BBS |
| Front Wired, Front Wired | 32 | Black | 75.5 x 27 x 56 | 1 mm ² - 16 mm ² | 550 | NV32FW |
| Front Wired, Front Wired | 32 | White | 75.5 x 27 x 56 | 1 mm ² - 16 mm ² | 550 | NV32FWW |
| Front Wired, Front Wired | 63 | Black | 88.5 x 30 x 63 | 1 mm ² - 25 mm ² | 550 | NV63BBS |
| Front Wired, Front Wired | 63 | Black | 88.5 x 30 x 63 | 1 mm ² - 25 mm ² | 550 | NV63FW |

General Data

| | NV32 | NV63 | |
|---|---|---|--------|
| Rated Current | 32 | 63 | A |
| Un, Nominal Operational Voltage, AC | 550 | 550 | V AC |
| Ue, Rated Operational Voltage, AC | 550 | 550 | V AC |
| Ue, Rated Operational Voltage, DC, Max | 250 | - | V DC |
| Uimp, Impulse Withstand Voltage | 8 | 8 | kV |
| Rated Peak Withstand Current 550 V | 80 | 80 | - |
| Maximum Operating Temperature With Derating | 70 | 70 | °C max |
| IP Rating | IP2X | IP2X | - |
| Standards Compliance | BS 88 | BS 88 | - |
| Certifications | ASTA | ASTA | - |
| Fitted Fuse Link Size / Type | F1 | F2 | - |
| Service Information | Product is not repairable. Please contact your local NHP sales representative for assistance. | Product is not repairable. Please contact your local NHP sales representative for assistance. | - |

Connection

| | NV32 | NV63 | |
|-----------------------------|---|---|-----------------------|
| Connection Mode | Front Wired, Front Wired / Rear Stud, Rear Stud | Front Wired, Front Wired / Rear Stud, Rear Stud | - |
| Mounting | DIN-35 Rail Mount | DIN-35 Rail Mount | - |
| Mounting Screw Option | M5 | M5 | - |
| Maximum Terminal Torque | 3.5 | 4 | Nm |
| Wire / Conductor Size (Max) | 16 | 25 | mm ² (Max) |
| Wire / Conductor Size (Min) | 1 | 1 | mm ² (Min) |

BS Fuse Holders for Bolt-In Offset Tag Fuse Links



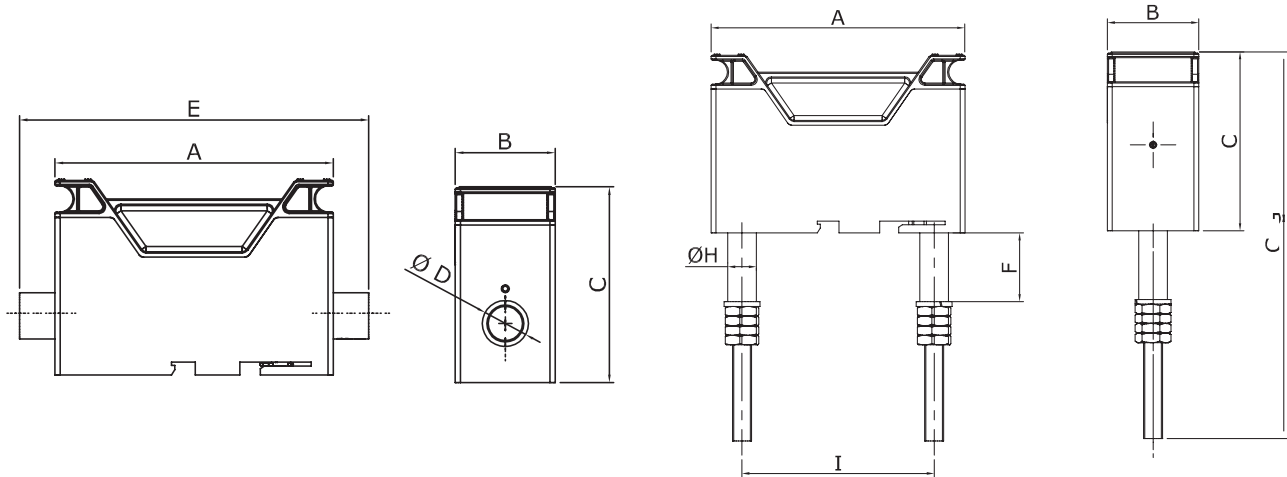
- ✓ Pull to disconnect circuit and remove fuse
- ✓ Suits bolt-in fuse links 32 to 125 A
- ✓ gG general purpose rated
- ✓ 550 V AC and 690 V AC ratings
- ✓ Complies to BS standard
- ✓ DIN rail mountable



General

| | | |
|--|--|--------|
| Un, Nominal Operational Voltage, AC | 550 / 690 | V AC |
| Ue, Rated Operational Voltage, AC | 550 / 690 | V AC |
| Uimp, Impulse Withstand Voltage | 8 | kV |
| Rated Peak Withstand Current at Rated Voltage | 80 | kA |
| Maximum Operating Temperature With Derating | 70 | °C max |
| IP Rating | IP2X | |
| Standards Compliance | BS 88 AS 60269.1 | |
| Certifications | ASTA | |
| Service Information | Product is not repairable. Please contact your local NHP sales representative for assistance. | |

Dimensions for BS Fuse Link Holders (NC Bolt-In) (mm)



| Fuse Holder Type | A | B | C | D | E | F | G | H | I |
|-------------------|-------|------|------|------|-------|------|-------|------|----|
| NC32FW | 77.2 | 97.2 | 56 | 9 | 97.2 | - | - | - | - |
| NC32FWW | 77.2 | 97.2 | 56 | - | - | 28.6 | 122 | 11.9 | 58 |
| NC63FW | 105.8 | 38 | 74.5 | 17.5 | 132.8 | - | - | - | - |
| NC125FW | 134 | 48.9 | 97.8 | 17.5 | 165.7 | - | - | - | - |
| NC125BBSFW | 134 | 48.9 | 97.8 | - | - | 28.6 | 184.4 | 11.9 | - |

NC Clip in Fuse Holder for Bolts in Fuse Links

| Connection Mode | Fuse Rating (A) | H x W x D (mm) | Wire Conductor Size (mm) | Ue Max (VAC) | Fitted Fuse Link Size | Catalogue No. |
|--------------------------|-----------------|----------------|--|--------------|-----------------------|---------------|
| Front Wired, Front Wired | 32 | 97 x 27 x 57 | 1 mm ² - 16 mm ² | 550 | A1 | NC32FW |
| Front Wired, Front Wired | 63 | 106 x 38 x 75 | 1 mm ² - 25 mm ² | 690 | A2 - A3 | NC63FW |
| Front Wired, Front Wired | 125 | 166 x 49 x 98 | 6 mm ² - 50 mm ² | 690 | A4 | NC125FW |
| Back Bolt Stud | 125 | 134 x 49 x 98 | (M8 thread) | 690 | A4 | NC125BBS |

General Data

| | NC32 | NC63 | NC125 | |
|---|---|---|---|--------|
| Rated Current | 32 | 63 | 125 | A |
| Un, Nominal Operational Voltage, AC | 550 | 690 | 690 | V AC |
| Ue, Rated Operational Voltage, AC | 550 | 690 | 690 | V AC |
| Ue, Rated Operational Voltage, DC, Max | - | - | - | V DC |
| Uimp, Impulse Withstand Voltage | 8 | 8 | 8 | kV |
| Rated Peak Withstand Current 550 V at Rated Voltage | 80 | 80 | 80 | |
| Maximum Operating Temperature With Derating | 70 | 70 | 70 | °C max |
| IP Rating | IP2X | IP2X | IP2X | - |
| Standards Compliance | BS 88, AS 60269.1 | BS 88, AS 60269.1 | BS 88, AS 60269.1 | - |
| Certifications | ASTA | ASTA | ASTA | - |
| Fitted Fuse Link Size / Type | A1 | A2 - A3 | A4 | - |
| Service Information | Product is not repairable. Please contact your local NHP sales representative for assistance. | Product is not repairable. Please contact your local NHP sales representative for assistance. | Product is not repairable. Please contact your local NHP sales representative for assistance. | - |

Connection

| | NC32 | NC63 | NC125 | |
|-----------------------------|---------------------------------|---------------------------------|------------------------------------|-----------------------|
| Connection Mode | Front Wired | Front Wired | Front Wired / Rear Stud, Rear Stud | - |
| Mounting | DIN-35 Rail Mount / Panel Mount | DIN-35 Rail Mount / Panel Mount | DIN-35 Rail Mount / Panel Mount | - |
| Mounting Screw Option | M5 | M5 | M5 | - |
| Maximum Terminal Torque | 3.5 | 3.5 | 4 | Nm |
| Wire / Conductor Size (Max) | 16 | 50 | 70 | mm ² (Max) |
| Wire / Conductor Size (Min) | 1 | 1 | 1 | mm ² (Min) |
| Rear Stud (Type) Size | - | - | M8 | - |

BS Fuse Links Clip-In Offset Tag



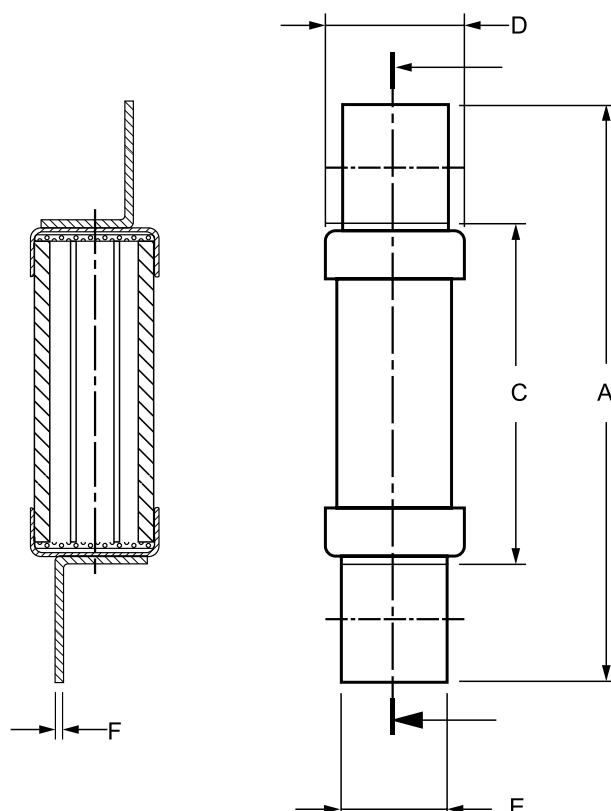
- ✓ Complies to BS standard
- ✓ 80 kA fault interruption capacity
- ✓ Type gG for general, cable, line and motor protection
- ✓ 2 to 63 A range
- ✓ 415 V AC rated



General

| | | |
|--|--|--------|
| Un, Nominal Operational Voltage, AC | 415 / 500 | V AC |
| Ue, Rated Operational Voltage, AC | 415 / 500 | V AC |
| Uimp, Impulse Withstand Voltage | 6 | kV |
| Maximum Operating Temperature With Derating | 70 | °C max |
| Standards Compliance | IEC 60269-1 IEC 60269-2 VDE 0636-10 DIN 43620 AS 60269-1:2005 BS 88 | |
| Certifications | ASTA | |

Dimensions for BS Fuse Links (NNS, NES) (mm)



| Series | Category | Brand | A Overall Length | B Fitting Centres | C Body Length | D Body Diameter | E Tag Width | F Tag Thickness | G Hole Length | H Hole Width |
|-----------------|----------|------------|---------------------|----------------------|------------------|--------------------|----------------|--------------------|------------------|-----------------|
| NNS2-32 | F1 | FuseMaster | 60.0 | - | 35.0 | 14.2 | 11.0 | 0.8 | - | - |
| NNS20M | F1 | FuseMaster | 62.0 | - | 35.0 | 14.3 | 11.5 | 0.8 | - | - |
| NNS32M | F1 | FuseMaster | 62.0 | - | 39.0 | 17.5 | 11.5 | 0.8 | - | - |
| NES20-63 | F2 | FuseMaster | 69.0 | - | 39.0 | 17.5 | 15.0 | 1.4 | - | - |

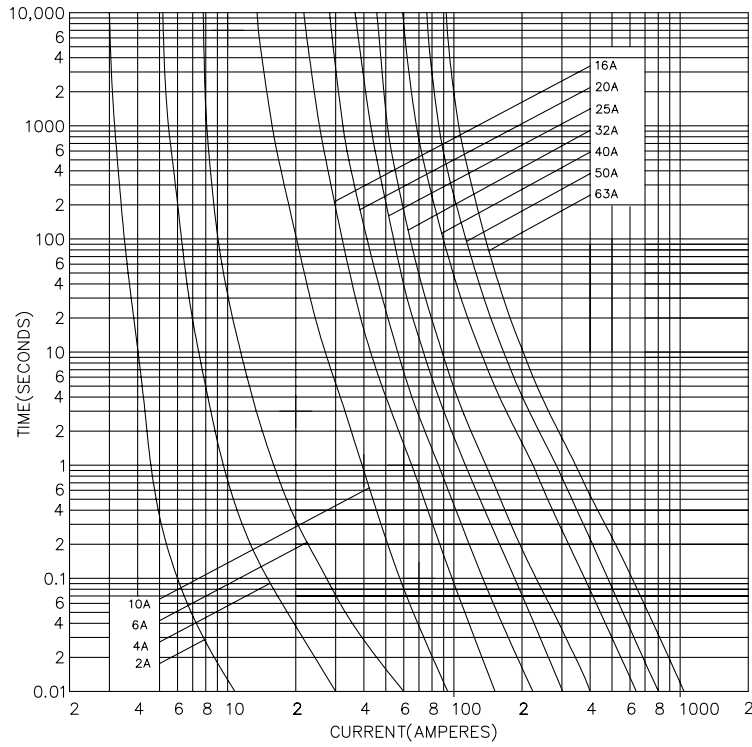


BS Fuse Links Clip-In Offset

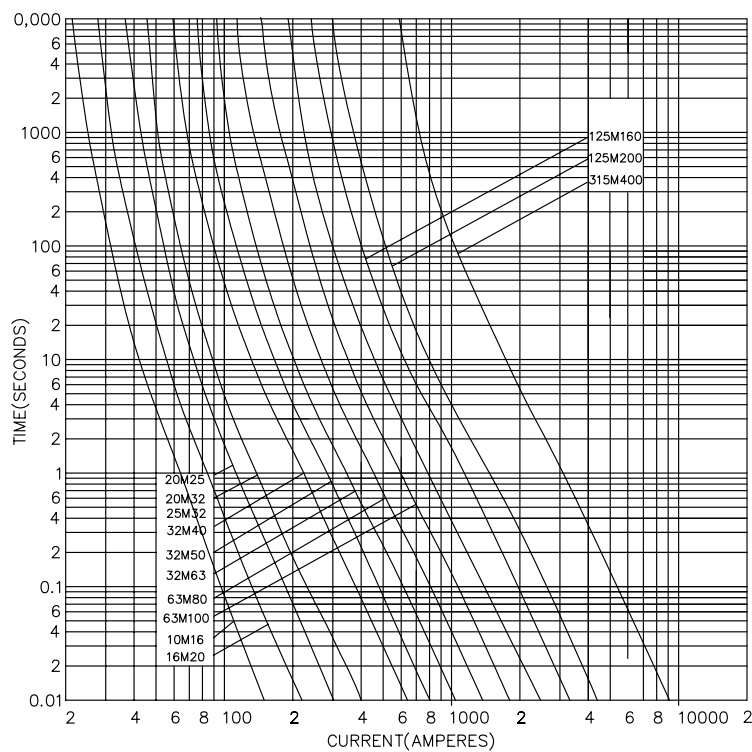
| Amp Rating (A) | Voltage Rating (V AC) | Utilisation Category | Breaking Capacity at Rated Voltage (kA) | Catalogue No. |
|----------------|-----------------------|----------------------|---|---------------|
| 2 | 415 | gG | 80 | NNS2 |
| 4 | 415 | gG | 80 | NNS4 |
| 6 | 415 | gG | 80 | NNS6 |
| 8 | 415 | gG | 80 | NNS8 |
| 10 | 415 | gG | 80 | NNS10 |
| 16 | 415 | gG | 80 | NNS16 |
| 20 | 415 | gG | 80 | NNS20 |
| 25 | 415 | gG | 80 | NNS25 |
| 32 | 415 | gG | 80 | NNS32 |
| 10M16 | 415 | gM | 80 | NNS10M16 |
| 16M20 | 415 | gM | 80 | NNS16M20 |
| 20M25 | 415 | gM | 80 | NNS20M25 |
| 25M32 | 415 | gM | 80 | NNS25M32 |
| 32M40 | 415 | gM | 80 | NNS32M40 |
| 32M50 | 415 | gM | 80 | NNS32M50 |
| 32M63 | 415 | gM | 80 | NNS32M63 |
| 20 | 415 | gG | 80 | NES20 |
| 25 | 415 | gG | 80 | NES25 |
| 32 | 415 | gG | 80 | NES32 |
| 40 | 415 | gG | 80 | NES40 |
| 50 | 415 | gG | 80 | NES50 |
| 63 | 415 | gG | 80 | NES63 |



Time Current Curve 2 to 63 A

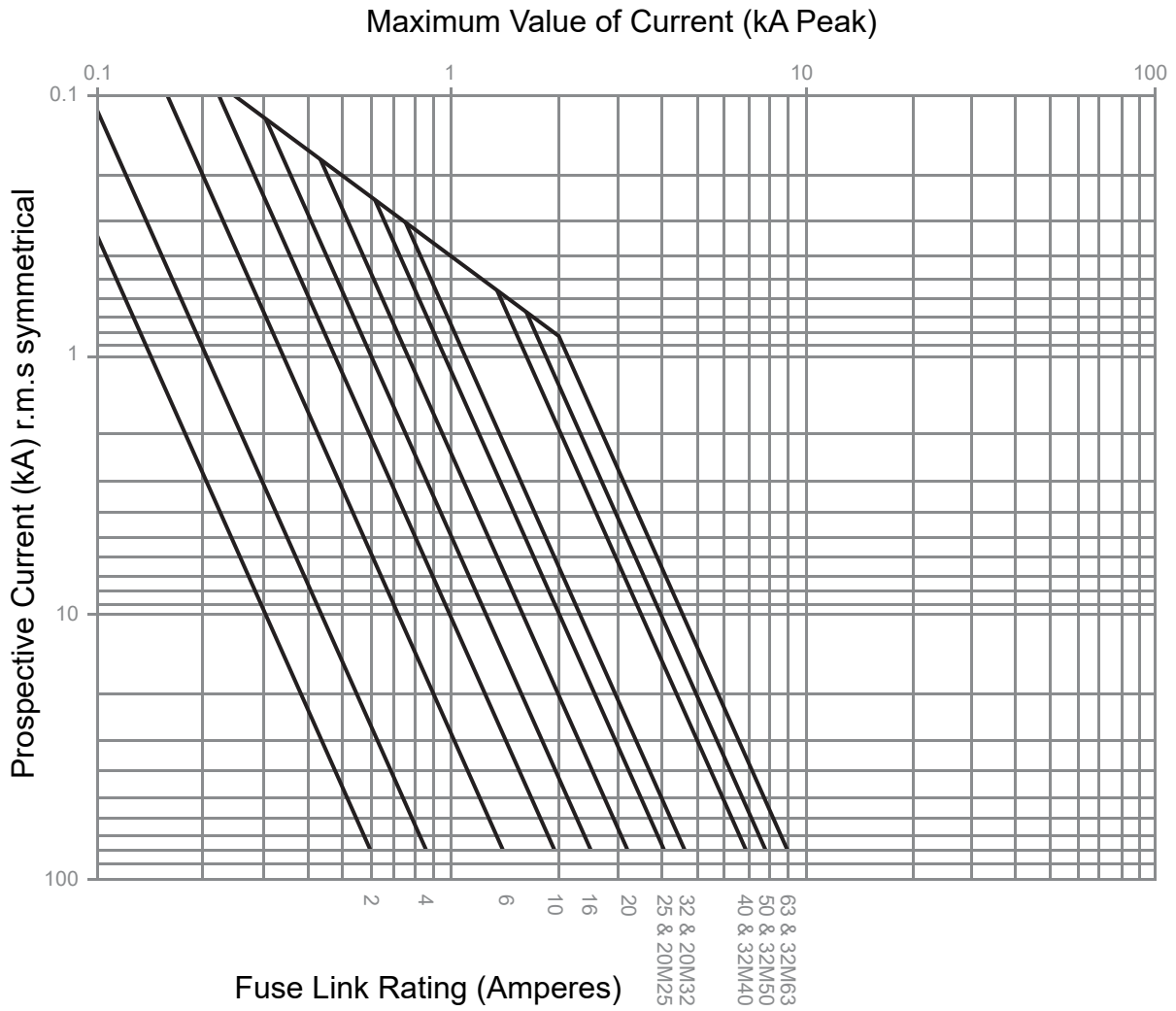


Time Current Curves "M" Motor Start Fuses 2 to 63 A



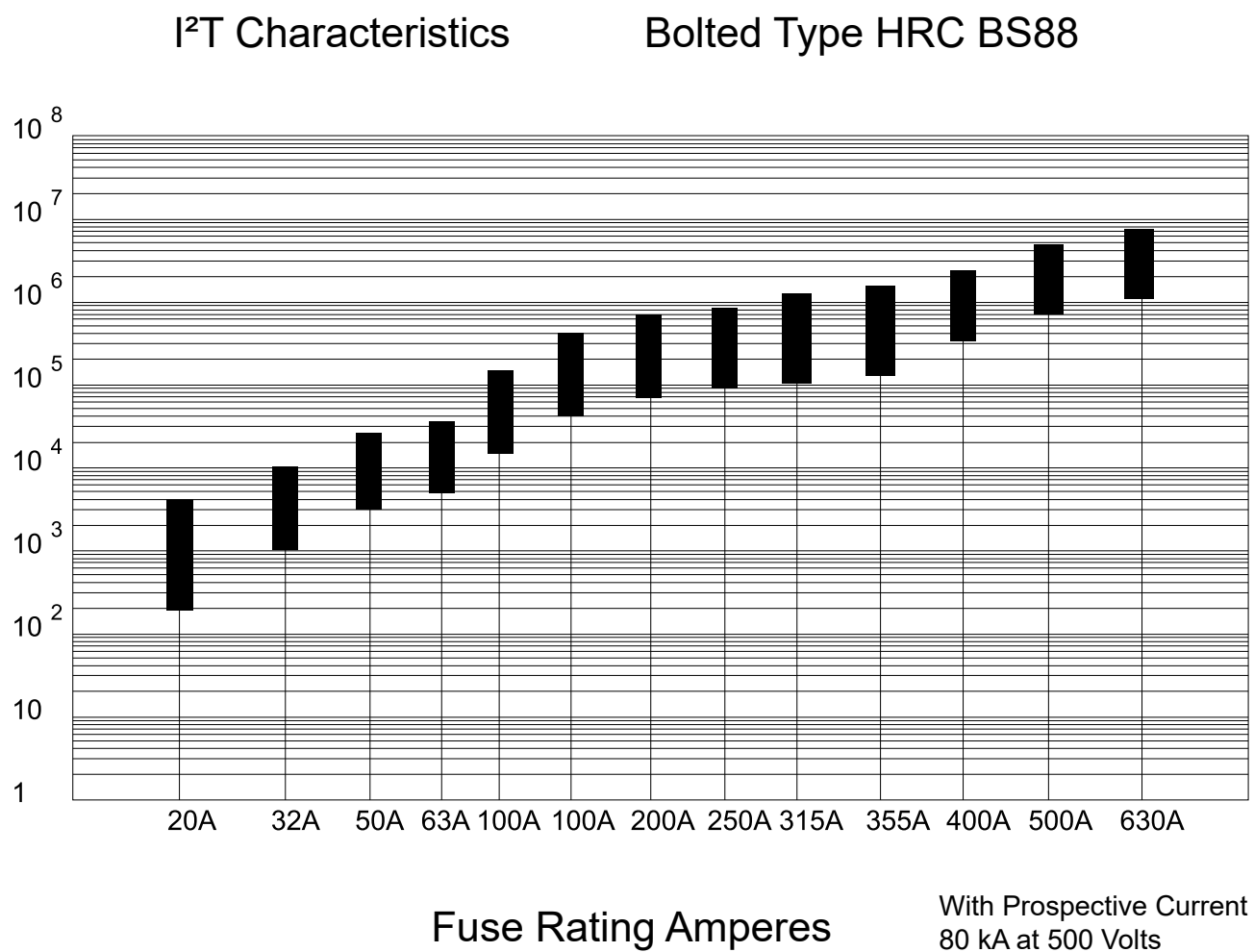


Cut-Off Characteristics Offset Tag Fuses 2 A to 63 A





Energy Let Through 20 to 630 A



BS Fuse Links Bolt-In Offset Tag



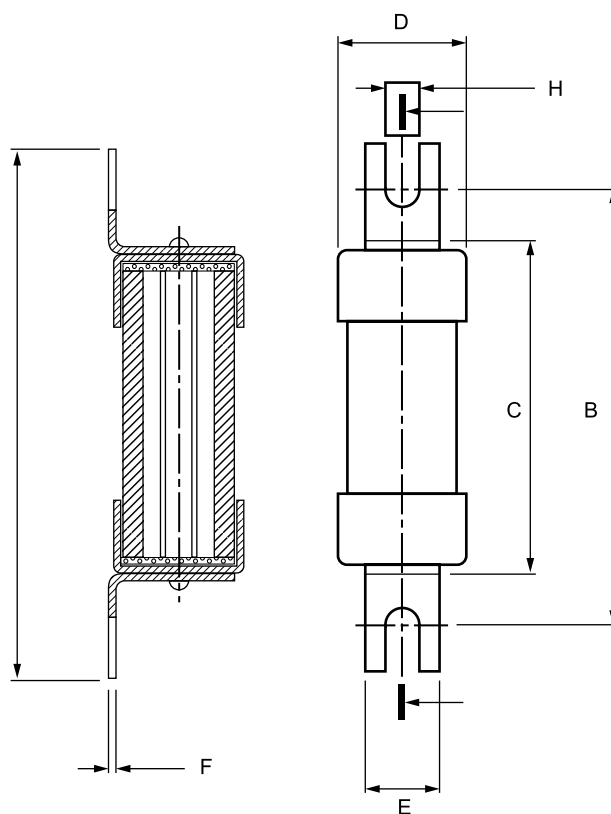
- ✓ Complies to BS Standard
- ✓ 80 kA fault interruption capacity
- ✓ Type gG and gM general, cable and motor protection
- ✓ 2 to 200 A range
- ✓ 415 / 500 V AC rated



General

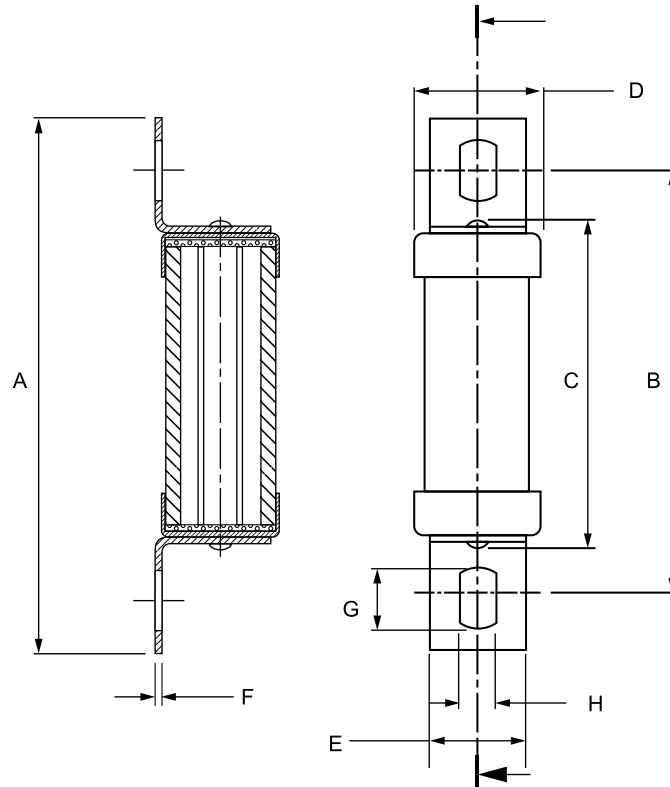
| | | |
|--|--|--------|
| Un, Nominal Operational Voltage, AC | 415 / 500 | V AC |
| Ue, Rated Operational Voltage, AC | 415 / 500 | V AC |
| Uimp, Impulse Withstand Voltage | 6 | kV |
| Maximum Operating Temperature With Derating | 70 | °C max |
| Standards Compliance | IEC 60269-1 IEC 60269-2 VDE 0636-10 DIN 43620 AS 60269-1:2005 BS 88 | |
| Certifications | ASTA | |

Dimensions for BS Fuse Links (NNIT) (mm)



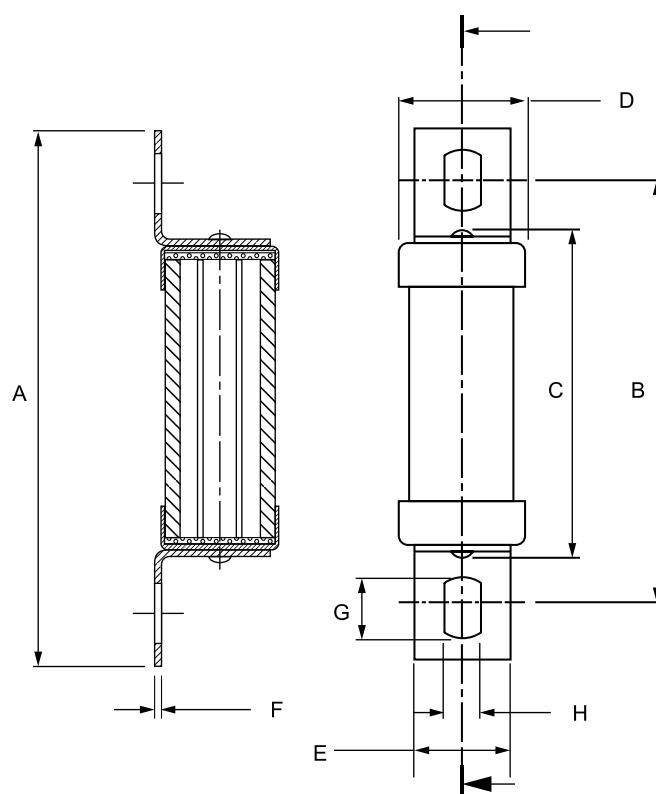
| Series | Category | Brand | A Overall Length | B Fitting Centres | C Body Length | D Body Diameter | E Tag Width | F Tag Thickness | G Hole Length | H Hole Width |
|--------------------|----------|------------|---------------------|----------------------|------------------|--------------------|----------------|--------------------|------------------|-----------------|
| NNIT 2 – 32 | A1 | FuseMaster | 55.0 | 44.5 | 35.0 | 14.2 | 10.5 | 0.8 | - | 4.8 |
| NNIT 20M | A1 | Lawson | 56.0 | 44.5 | 33.0 | 12.7 | 9.5 | 0.8 | - | 4.8 |
| NNIT 32M | A1 | Lawson | 56.0 | 44.5 | 33.0 | 12.7 | 9.5 | 0.8 | - | 4.8 |

Dimensions for BS Fuse Links (NTIA, NTIS, NOS) (mm)



| Series | Category | Brand | A Overall Length | B Fitting Centres | C Body Length | D Body Diameter | E Tag Width | F Tag Thickness | G Hole Length | H Hole Width |
|----------------------|----------|------------|---------------------|----------------------|------------------|--------------------|----------------|--------------------|------------------|-----------------|
| NTIA 2 – 32 | A2 | Mersen | 84.5 | 73 | 55 | 13.5 | 8.7 | 1.2 | 8 | 5.5 |
| NTIA 32M | A2 | Mersen | 86 | 73 | 49 | 21.9 | 9 | 1.2 | 8 | 5.5 |
| NTIS 36 – 63 | A3 | Mersen | 88.5 | 73 | 56 | 17.5 | - | 1.2 | - | 5.5 |
| NTIS 80 – 100 | A3 | Mersen | 89 | 73 | 49 | 26.9 | 13 | 1.2 | - | 5.5 |
| NTIS 63M | A3 | Mersen | 89 | 73 | 49 | 26 | 13 | 1.2 | - | 5.5 |
| NTIS 100M | A3 | Mersen | 89 | 73 | 49 | 26 | 13 | 1.2 | - | 5.5 |
| NOS 80 - 100 | as A3 | FuseMaster | 89 | 73 | 49 | 26 | 13 | 1.2 | - | 5.5 |
| NOS 100M | as A3 | Lawson | 89 | 73 | 49 | TBC | 13 | 1.2 | - | 5.5 |

Dimensions for BS Fuse Links (NTCP, NTFP) (mm)



| Series | Category | Brand | A Overall Length | B Fitting Centres | C Body Length | D Body Diameter | E Tag Width | F Tag Thickness | G Hole Length | H Hole Width |
|-----------------------|----------|------------|---------------------|----------------------|------------------|--------------------|----------------|--------------------|------------------|-----------------|
| NTCP 20 – 40 | A4 | FuseMaster | 110 | 94 | 51 | 22 | 20 | 2.4 | 11 | 8.7 |
| NTCP 50 – 100 | A4 | FuseMaster | 110 | 94 | 64.5 | 31.8 | 17 | 2.4 | 10 | 8.7 |
| NTCP 125 – 160 | A4 | Mersen | 110 | 94 | 64.5 | 26.9 | 17 | 2.4 | 10 | 8.7 |
| NTCP 100M | A4 | Lawson | 110 | 94 | 51 | 35 | 20 | 2.4 | 11 | 8.7 |
| NTFP 125 – 200 | as A4 | FuseMaster | 110 | 94 | 73.5 | 39.5 | 19 | 2.4 | 11 | 8.7 |
| NTFP 200M | as A4 | Lawson | 110 | 94 | 51 | 41 | 20 | 2.4 | 11 | 8.7 |



Bolt-In Offset Tag Fuses

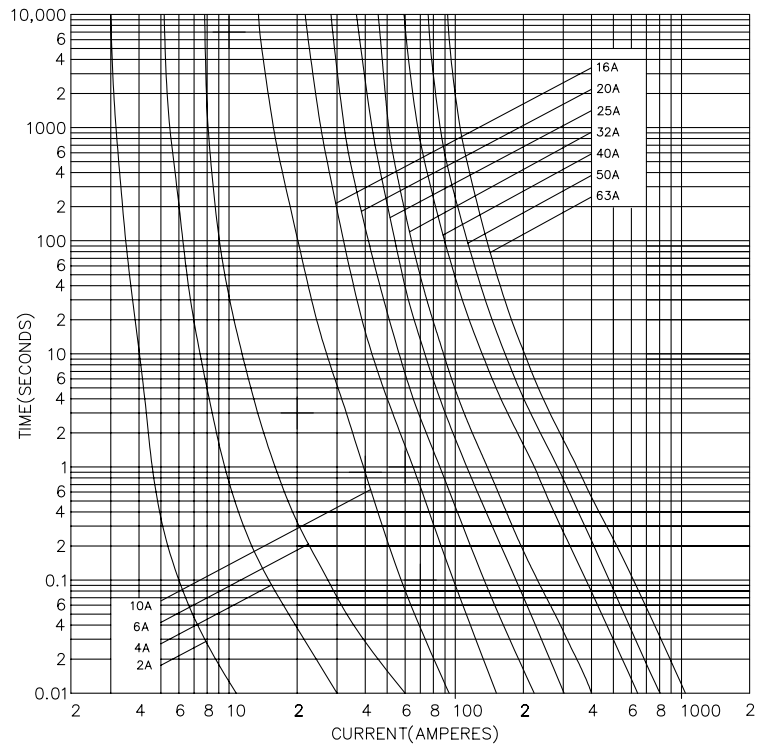
| Fuse Rating (A) | Cartridge Size | Ue Max (V AC) | Fuse Characteristics Type | Breaking Capacity @ Rated Voltage (kA) | Catalogue No. |
|-----------------|----------------|---------------|---------------------------|--|---------------|
| 2 | A1 | 500 | gG | 80 | NNIT2 |
| 4 | A1 | 500 | gG | 80 | NNIT4 |
| 6 | A1 | 500 | gG | 80 | NNIT6 |
| 10 | A1 | 500 | gG | 80 | NNIT10 |
| 16 | A1 | 500 | gG | 80 | NNIT16 |
| 20 | A1 | 500 | gG | 80 | NNIT20 |
| 25 | A1 | 500 | gG | 80 | NNIT25 |
| 32 | A1 | 500 | gG | 80 | NNIT32 |
| 20M25 | A1 | 415 | gM | 80 | NNIT20M25 |
| 20M32 | A1 | 415 | gM | 80 | NNIT20M32 |
| 32M40 | A1 | 415 | gM | 80 | NNIT32M40 |
| 32M50 | A1 | 415 | gM | 80 | NNIT32M50 |
| 32M63 | A1 | 415 | gM | 80 | NNIT32M63 |
| 2 | A2 | 500 | gG | 80 | NTIA2 |
| 4 | A2 | 500 | gG | 80 | NTIA4 |
| 6 | A2 | 500 | gG | 80 | NTIA6 |
| 10 | A2 | 500 | gG | 80 | NTIA10 |
| 16 | A2 | 500 | gG | 80 | NTIA16 |
| 20 | A2 | 500 | gG | 80 | NTIA20 |
| 25 | A2 | 500 | gG | 80 | NTIA25 |
| 32 | A2 | 500 | gG | 80 | NTIA32 |
| 32M40 | A2 | 415 | gM | 80 | NTIA32M40 |
| 32M50 | A2 | 415 | gM | 80 | NTIA32M50 |
| 32M63 | A2 | 415 | gM | 80 | NTIA32M63 |
| 36 | A3 | 500 | gG | 80 | NTIS36 |
| 40 | A3 | 500 | gG | 80 | NTIS40 |
| 50 | A3 | 500 | gG | 80 | NTIS50 |



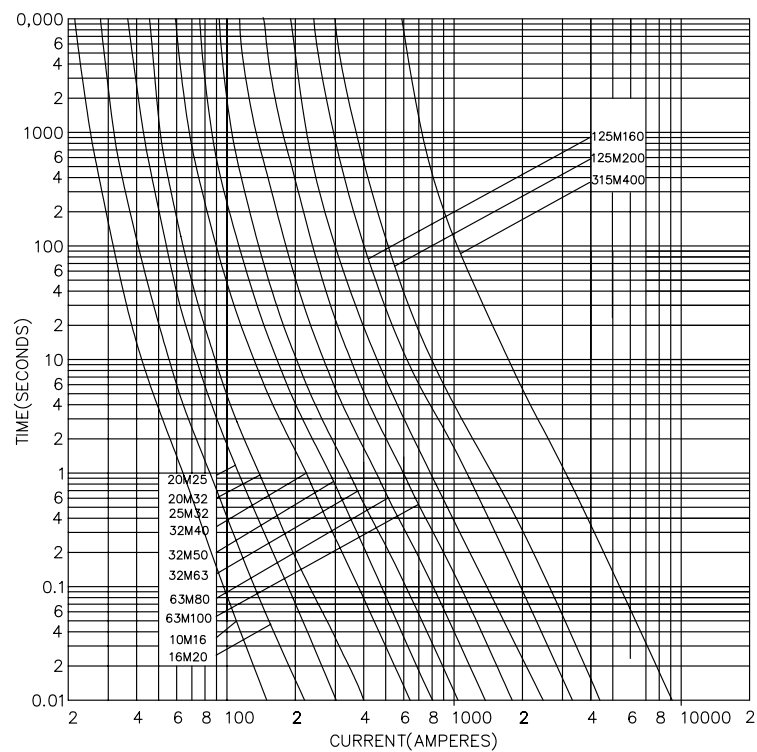
| Fuse Rating (A) | Cartridge Size | Ue Max (V AC) | Fuse Characteristics Type | Breaking Capacity @ Rated Voltage (kA) | Catalogue No. |
|-----------------|----------------|---------------|---------------------------|--|---------------|
| 63 | A3 | 500 | gG | 80 | NTIS63 |
| 80 | A3 | 500 | gG | 80 | NTIS80 |
| 63M80 | A3 | 415 | gM | 80 | NTIS63M80 |
| 63M100 | A3 | 415 | gM | 80 | NTIS63M100 |
| 80 | A3 | 500 | gG | 80 | NOS83 |
| 100 | A3 | 500 | gG | 80 | NOS100 |
| 100M125 | A3 | 415 | gM | 80 | NOS100M125 |
| 100M160 | A3 | 415 | gM | 80 | NOS100M160 |
| 80 | A4 | 500 | gG | 80 | NTCP80 |
| 100 | A4 | 500 | gG | 80 | NTCP100 |
| 100M125 | A4 | 415 | gM | 80 | NTCP100M125 |
| 100M160 | A4 | 415 | gM | 80 | NTCP100M160 |
| 125 | A4 | 500 | gG | 80 | NTFP125 |
| 160 | A4 | 500 | gG | 80 | NTFP160 |
| 200 | A4 | 500 | gG | 80 | NTFP200 |
| 200M250 | A4 | 415 | gM | 80 | NTFP200M250 |



Time Current Curve 2 to 63 A

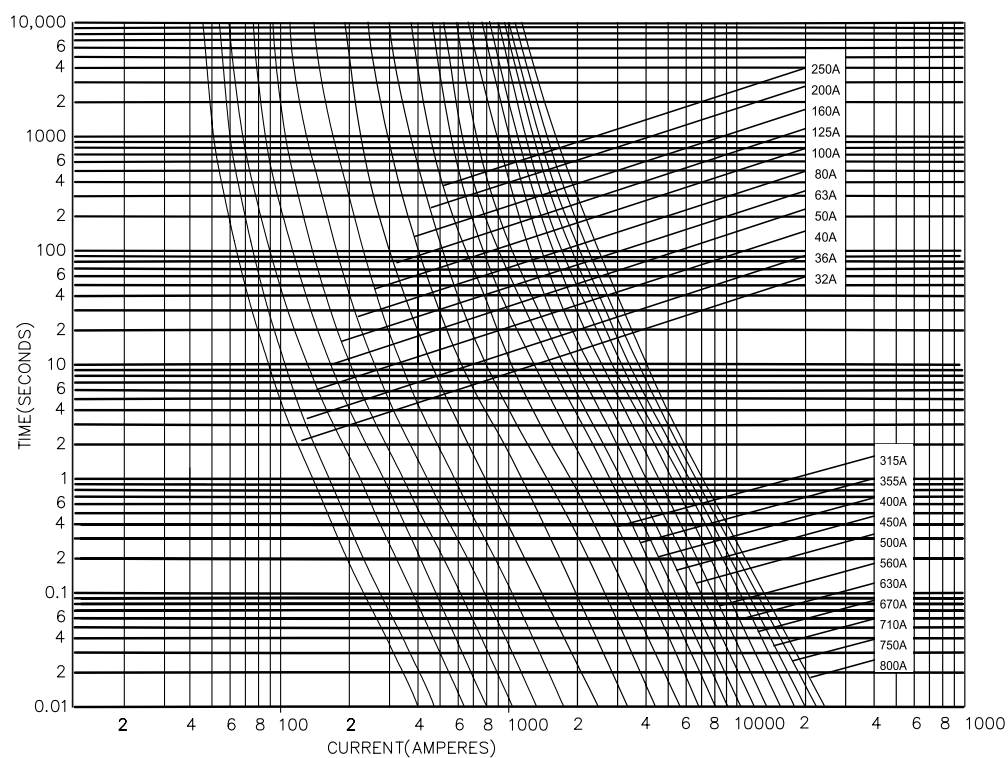


Time Current Curves "M" Motor Start Fuses 2 to 63 A





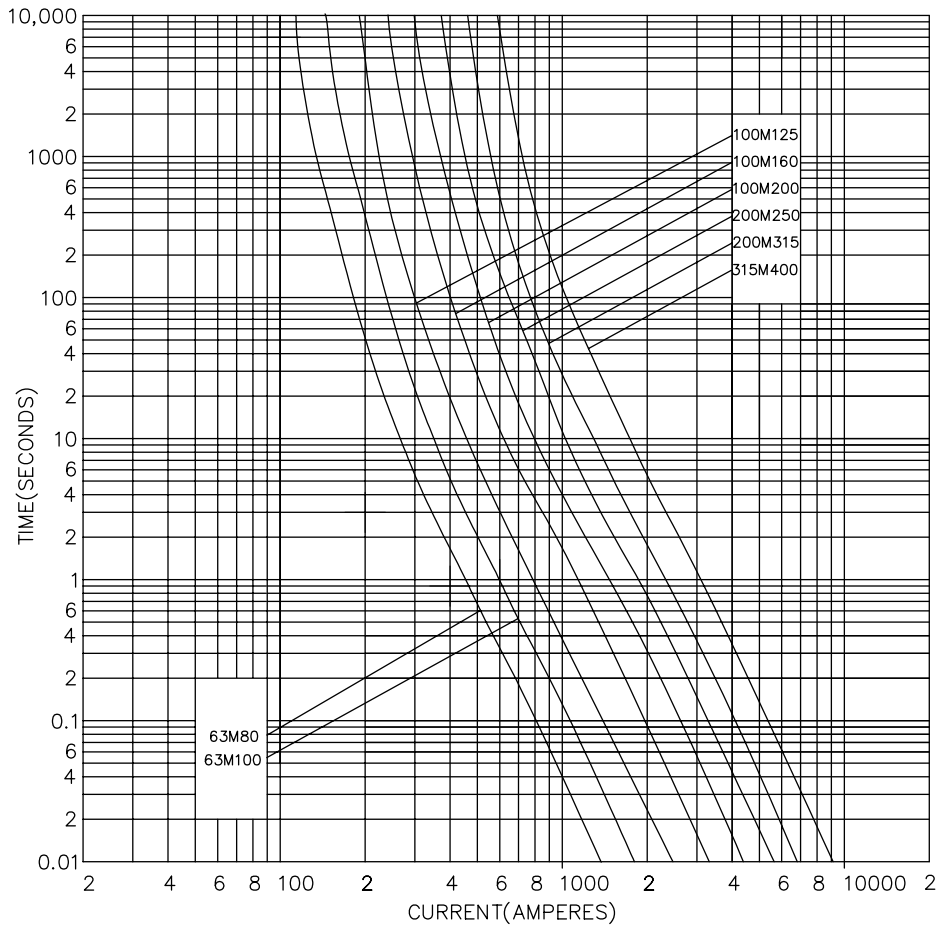
Time Current Curve Bolted Tag 32 to 800 A





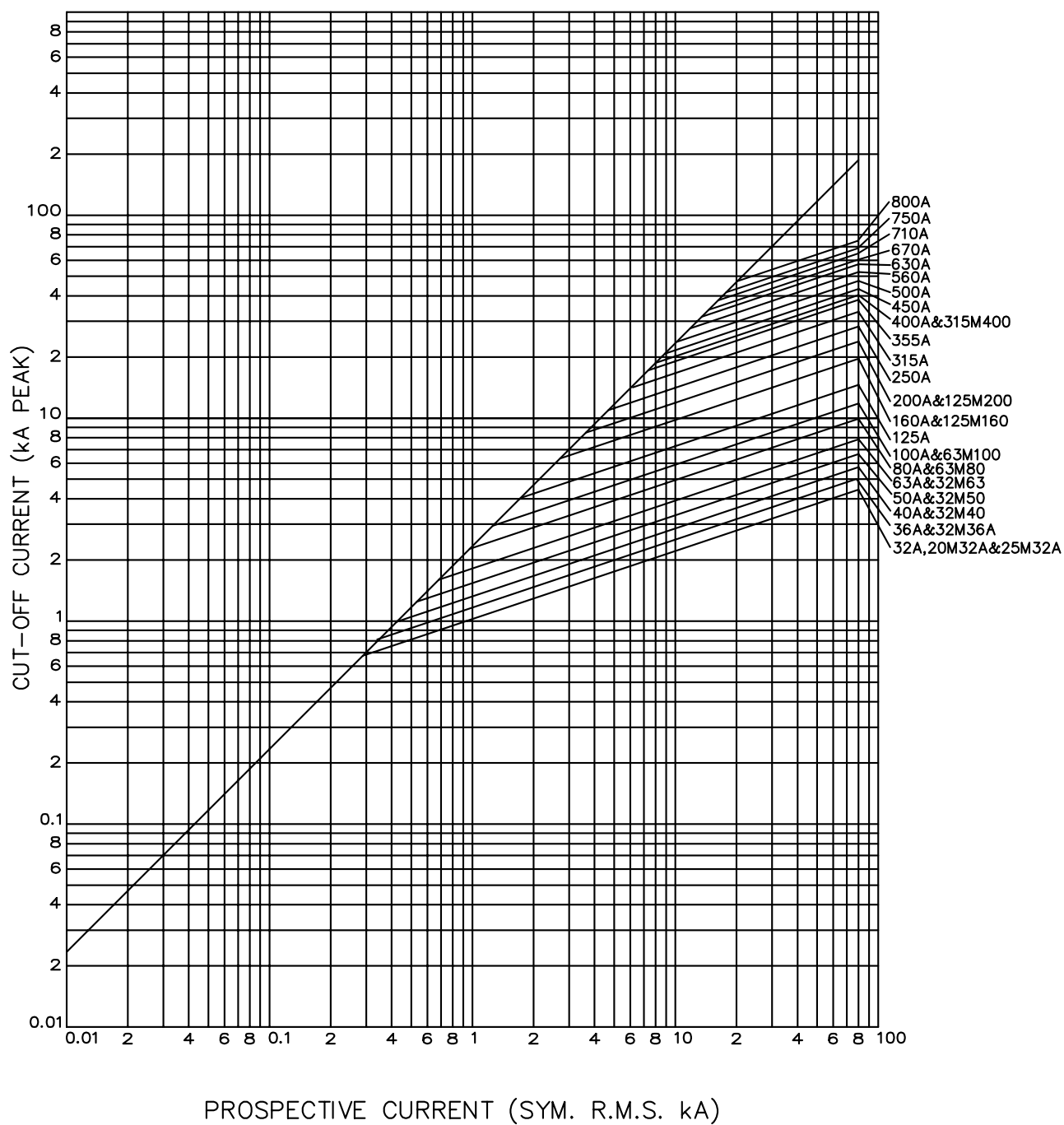
Time Current Curves "M" Motor Fuses 63 to 315 A

Fuses and Bases





Cut-Off Characteristics 415 V AC 20 to 800 A

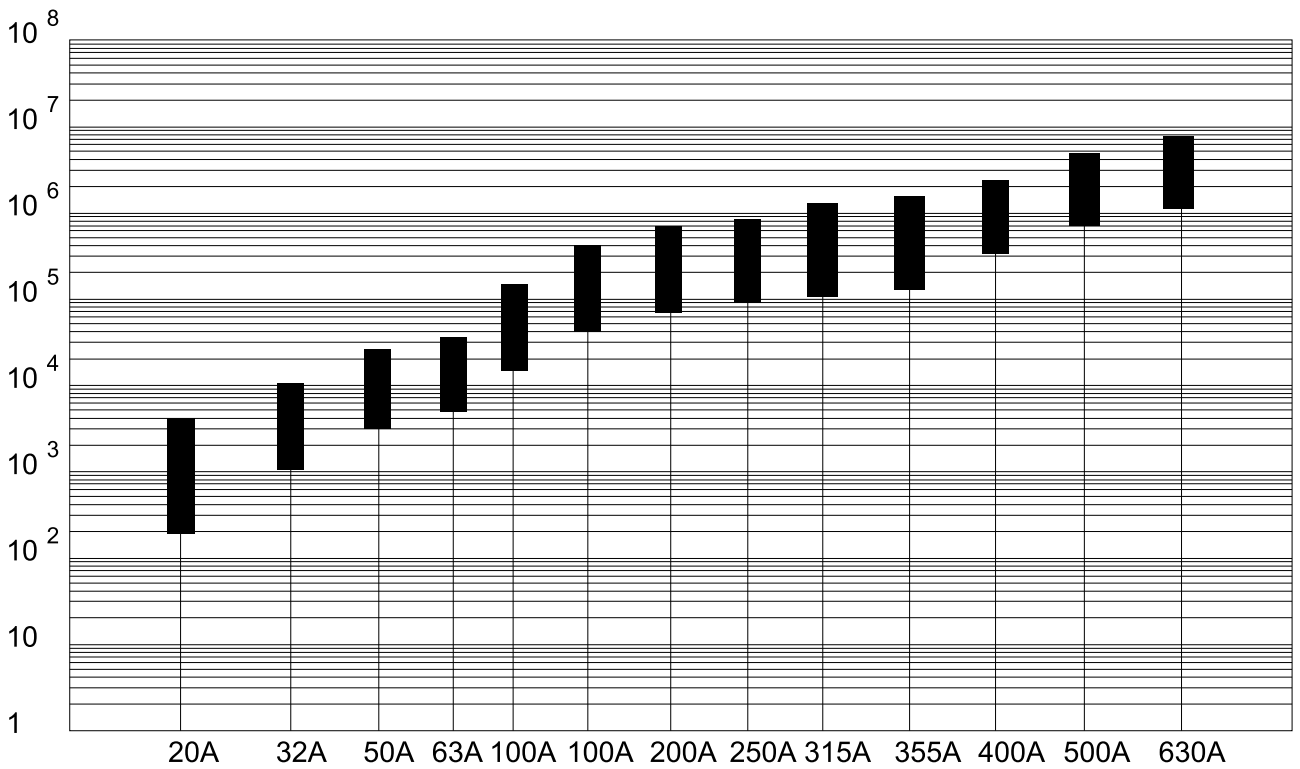




Energy Let Through 20 to 630 A

I²T Characteristics

Bolted Type HRC BS88



Fuse Rating Amperes

With Prospective Current
80 kA at 500 Volts



BS Fuse Links - Bolt-In Centre Tag



- ✓ Complies to BS standard
- ✓ 80 kA fault interruption capacity
- ✓ Type gG for general, cable, line and motor protection
- ✓ 2 to 1250 A range
- ✓ 415 V AC, 500 V AC and 550 V AC ratings.



General

| | |
|--|----------------------|
| Un, Nominal Operational Voltage, AC | 415 / 500 / 550 V AC |
|--|----------------------|

| | |
|--|----------------------|
| Ue, Rated Operational Voltage, AC | 415 / 500 / 550 V AC |
|--|----------------------|

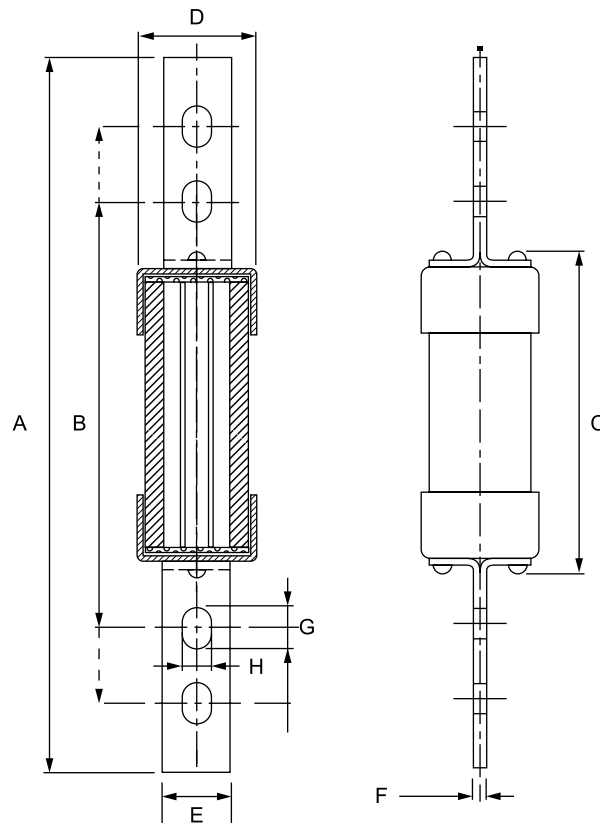
| | | |
|--|---|----|
| Uimp, Impulse Withstand Voltage | 8 | kV |
|--|---|----|

| | | |
|--|----|--------|
| Maximum Operating Temperature With Derating | 70 | °C max |
|--|----|--------|

| | |
|-----------------------------|--|
| Standards Compliance | IEC 60269-1 IEC 60269-2 VDE 0636-10 DIN 43620 AS 60269-1:2005 BS 88 |
|-----------------------------|--|

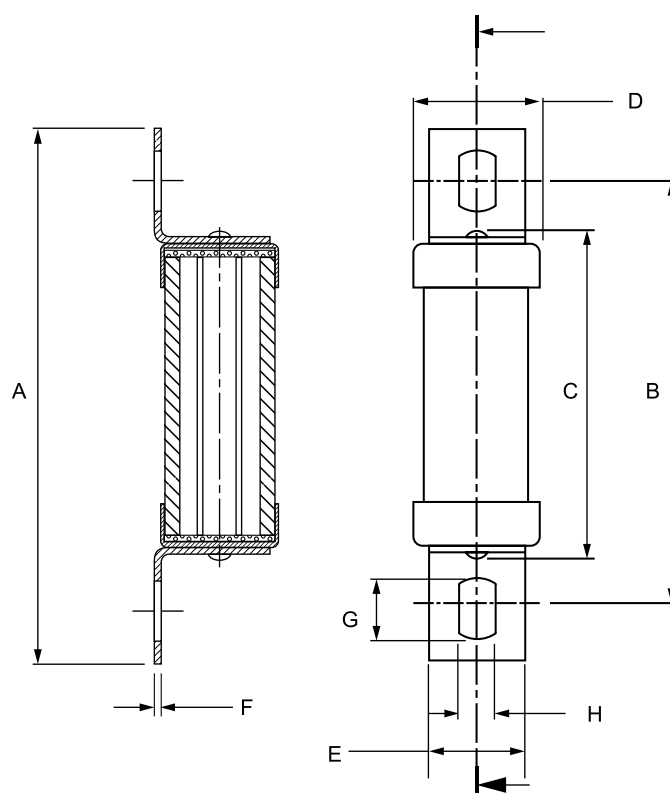
| | |
|-----------------------|------|
| Certifications | ASTA |
|-----------------------|------|

Dimensions for BS Fuse Links (NTBC, NTC, NTF, NTKF, NTKM, NTKM and NTMF) (mm)



| Series | Category | Brand | A Overall Length | B Fitting Centres | C Body Length | D Body Diameter | E Tag Width | F Tag Thickness | G Hole Length | H Hole Width |
|-----------------------|----------|------------|------------------------|-------------------------|---------------------|-----------------------|-------------------|-----------------------|---------------------|--------------------|
| NTBC 2 – 40 | B1 | FuseMaster | 137 | 111 | 45 | 22 | 15 | 1.4 | 14 | 8.7 |
| NTBC 50 – 63 | B1 | FuseMaster | 135 | 111 | 65 | 31.8 | 17 | 3.2 | 11 | 8.7 |
| NTBC 63M | B1 | Lawson | 137 | 111 | 45 | 26 | 20 | 3.2 | 14 | 8.7 |
| NTC 80 – 100 | B1 | FuseMaster | 135.5 | 111 | 65 | 31.8 | 17 | 3.2 | 11 | 8.7 |
| NTC 100M | B1 | Lawson | 137 | 111 | 45 | 35 | 20 | 3.2 | 14 | 8.7 |
| NTF 125 – 200 | B2 | FuseMaster | 131.5 | 111 | 72 | 39.5 | 19 | 3.2 | 11 | 8.7 |
| NTF 200M | B2 | Lawson | 137 | 111 | 45 | 41 | 20 | 3.2 | 14 | 8.7 |
| NTKF250S | B3 | EATON | 135.5 | 111 | 70 | 40 | 25.4 | 3.2 | 11 | 8.7 |
| NTKF 250 - 315 | B3 | FuseMaster | 135.5 | 111 | 70 | 50.5 | 25.4 | 3.2 | 11 | 8.7 |
| NTKF 315M | B3 | Lawson | 137 | 111 | 45 | 51 | 26 | 6.4 | 14 | 8.7 |
| NTKM 250 – 355 | B4 | FuseMaster | 136.5 | 111 | 72 | 41 | 25.4 | 5.3 | 11 | 8.7 |
| NTMF 355 - 400 | B4 | FuseMaster | 137 | 111 | 52 | 50.5 | 26 | 6.4 | 16 | 8.7 |

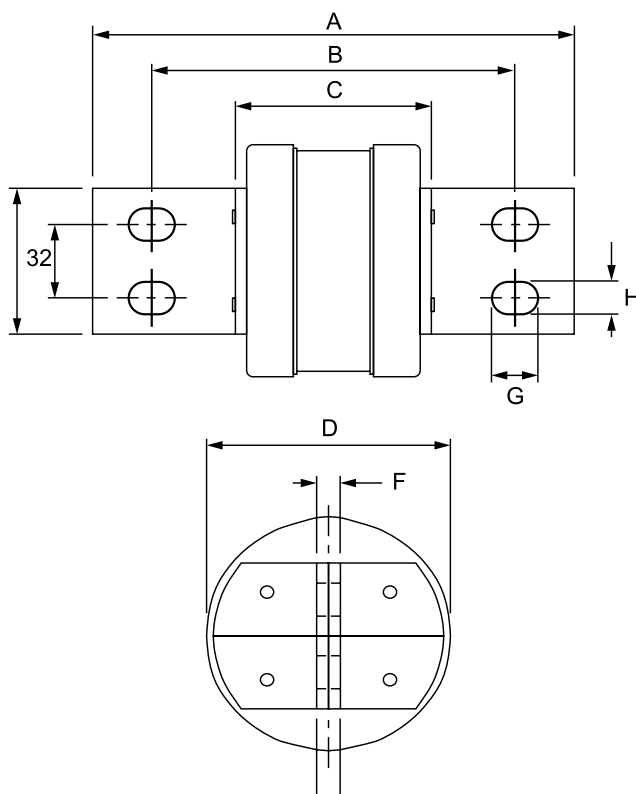
Dimensions for BS Fuse Links (NTM, NTTM, NTLM, NTT, NTLT) (mm)



| Series | Category | Brand | A Overall Length | B Fitting Centres | C Body Length | D Body Diameter | E Tag Width | F Tag Thickness | G Hole Length | H Hole Width |
|--------------------|----------|------------|---------------------|----------------------|------------------|--------------------|----------------|--------------------|------------------|-----------------|
| NTM355-400 | C1 | FuseMaster | 210 | 133/184 | 77 | 50.5 | 25.4 | 6.5 | 12.5 | 10.3 |
| NTM400M | C1 | Lawson | 210 | 133/184 | 51 | 61 | 26 | 6.4 | 16 | 10.3 |
| NTTM | C2 | FuseMaster | 207 | 133/184 | 71 | 70 | 25.4 | 6.5 | 12.5 | 10.3 |
| NTLM | C3 | Lawson | 210 | 133/184 | 56 | 73 | 26 | 9.5 | 16 | 10.3 |
| NTT | - | Lawson | 267 | 165/229 | 54 | 61 | 26 | 7.8 | 16 | 10.3 |
| NTLT670-800 | - | Lawson | 267 | 165/229 | 56 | 73 | 26 | 9.5 | 16 | 10.3 |



Dimensions for BS Fuse Links (NTLU, NTXU) (mm)



| Series | Category | Brand | A Overall Length | B Fitting Centres | C Body Length | D Body Diameter | E Tag Width | F Tag Thickness | G Hole Length | H Hole Width |
|-------------|----------|------------|---------------------|----------------------|------------------|--------------------|----------------|--------------------|------------------|-----------------|
| NTLU | D1 | FuseMaster | 197 | 149 | 56 | 73 | 63 | 9.5 | 16 | 10.3 |
| NTXU | D1 | Socomec | 197 | 149 | 95 | 101.6 | 63 | 9.5 | 16.7 | 13.5 |



BS Fuse Links - Bolt-In Center Tag

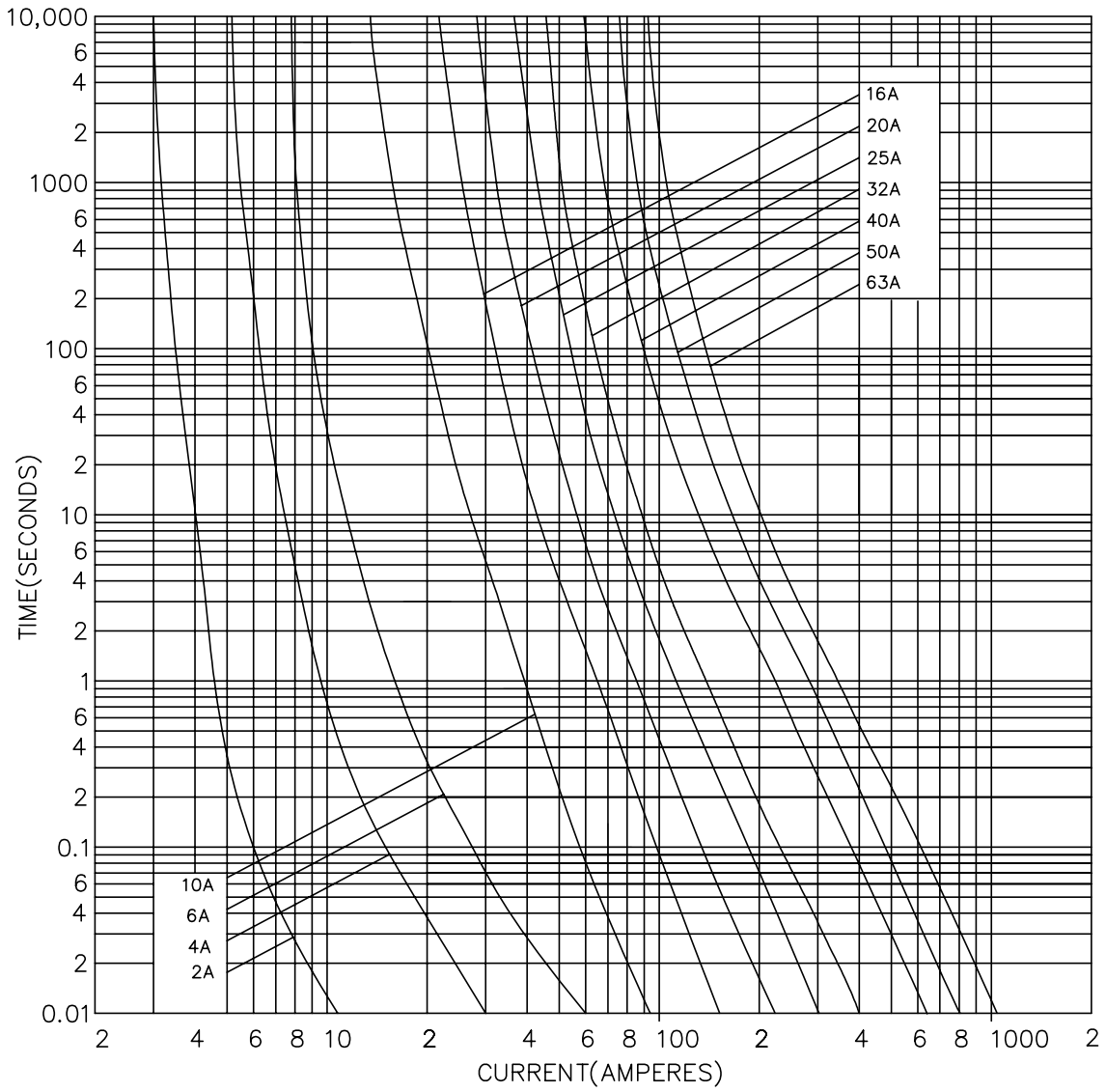
| Fuse Rating (A) | Fuse Sizes | Voltage Rating (V) | Breaking Capacity @ Rated Voltage (kA) | Catalogue No. |
|-----------------|------------|--------------------|--|---------------|
| 2 | B1 | 415 | 80 | NTBC2 |
| 4 | B1 | 415 | 80 | NTBC4 |
| 6 | B1 | 415 | 80 | NTBC6 |
| 10 | B1 | 415 | 80 | NTBC10 |
| 16 | B1 | 415 | 80 | NTBC16 |
| 20 | B1 | 415 | 80 | NTBC20 |
| 25 | B1 | 415 | 80 | NTBC25 |
| 32 | B1 | 415 | 80 | NTBC32 |
| 40 | B1 | 415 | 80 | NTBC40 |
| 50 | B1 | 415 | 80 | NTBC50 |
| 63 | B1 | 415 | 80 | NTBC63 |
| 63 M 80 | B1 | 415 | 80 | NTBC63M80 |
| 63 M 100 | B1 | 415 | 80 | NTBC63M100 |
| 80 | B1 | 415 | 80 | NTC80 |
| 100 | B1 | 415 | 80 | NTC100 |
| 100 M 125 | B1 | 415 | 80 | NTC100M125 |
| 100 M 160 | B1 | 415 | 80 | NTC100M160 |
| 125 | B2 | 415 | 80 | NTF125 |
| 160 | B2 | 415 | 80 | NTF160 |
| 200 | B2 | 415 | 80 | NTF200 |
| 200 M 250 | B2 | 415 | 80 | NTF200M250 |
| 200 M 315 | B2 | 415 | 80 | NTF200M315 |
| 250 | B3 | 415 | 80 | NTKF250 |
| 315 | B3 | 415 | 80 | NTKF315 |
| 315 M 400 | B3 | 415 | 80 | NTKF315M400 |
| 250 | B4 | 415 | 80 | NTKM250 |
| 315 | B4 | 415 | 80 | NTKM315 |
| 355 | B4 | 415 | 80 | NTMF355 |



| Fuse Rating (A) | Fuse Sizes | Voltage Rating (V) | Breaking Capacity @ Rated Voltage (kA) | Catalogue No. |
|-----------------|------------|--------------------|--|---------------|
| 400 | B4 | 415 | 80 | NTMF400 |
| 355 | C1 | 415 | 80 | NTM355 |
| 400 | C1 | 415 | 80 | NTM400 |
| 450 | C2 | 415 | 80 | NTTM450 |
| 500 | C2 | 415 | 80 | NTTM500 |
| 560 | C2 | 415 | 80 | NTTM560 |
| 630 | C2 | 415 | 80 | NTTM630 |
| 710 | C3 | 415 | 80 | NTLM710 |
| 800 | C3 | 415 | 80 | NTLM800 |
| 1000 | D1 | 415 | 80 | NTXU1000 |
| 1250 | D1 | 415 | 80 | NTXU1250 |

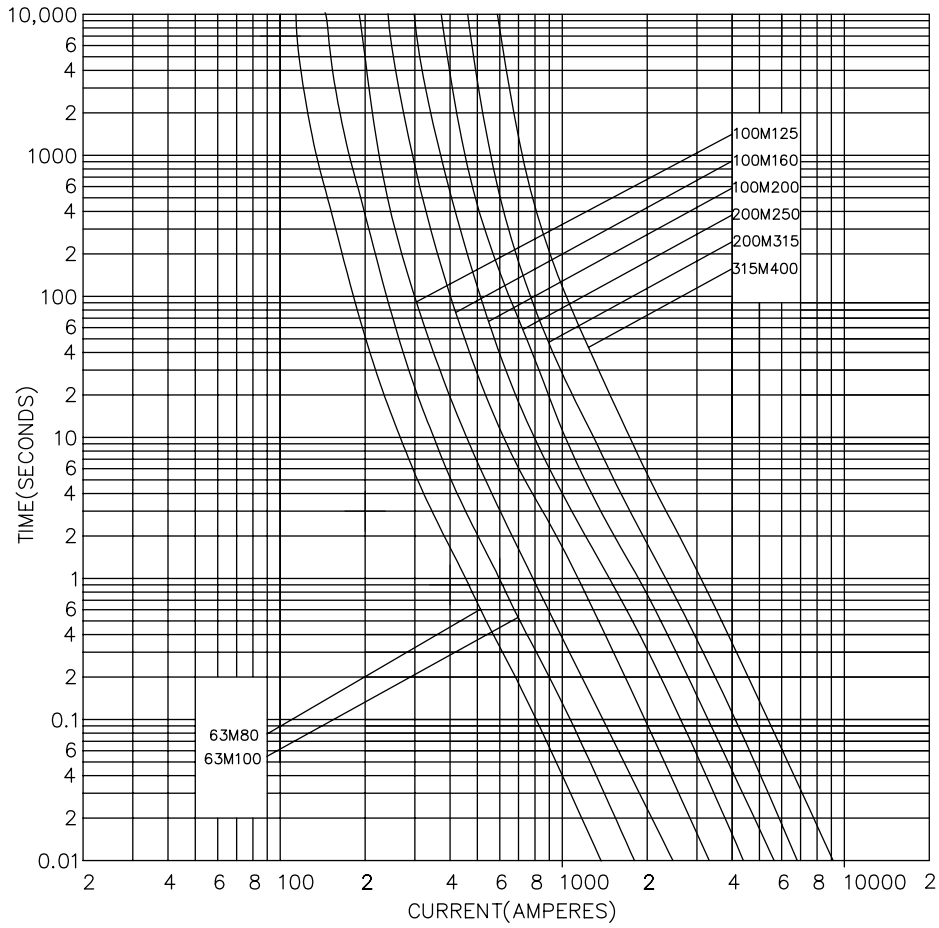


Time Current Curve 2 to 63 A





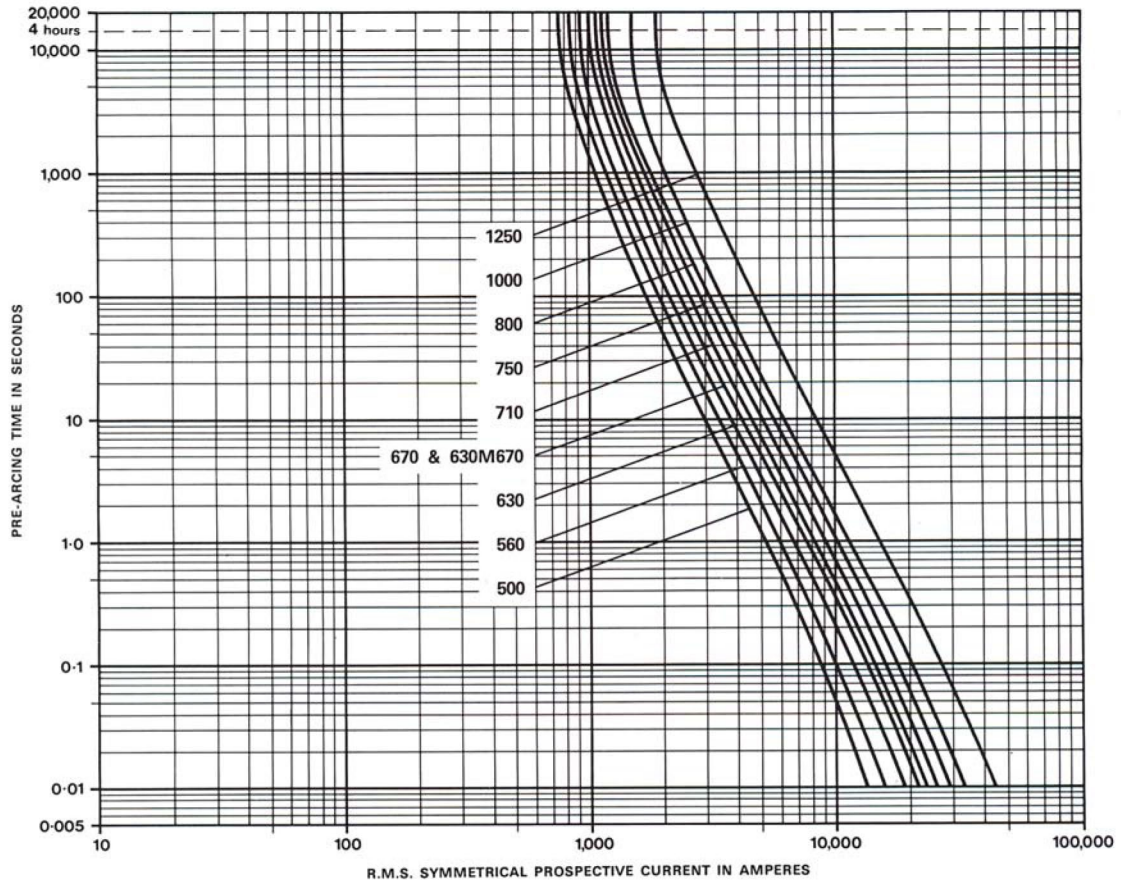
Time Current Curves "M" Motor Fuses 63 to 315 A





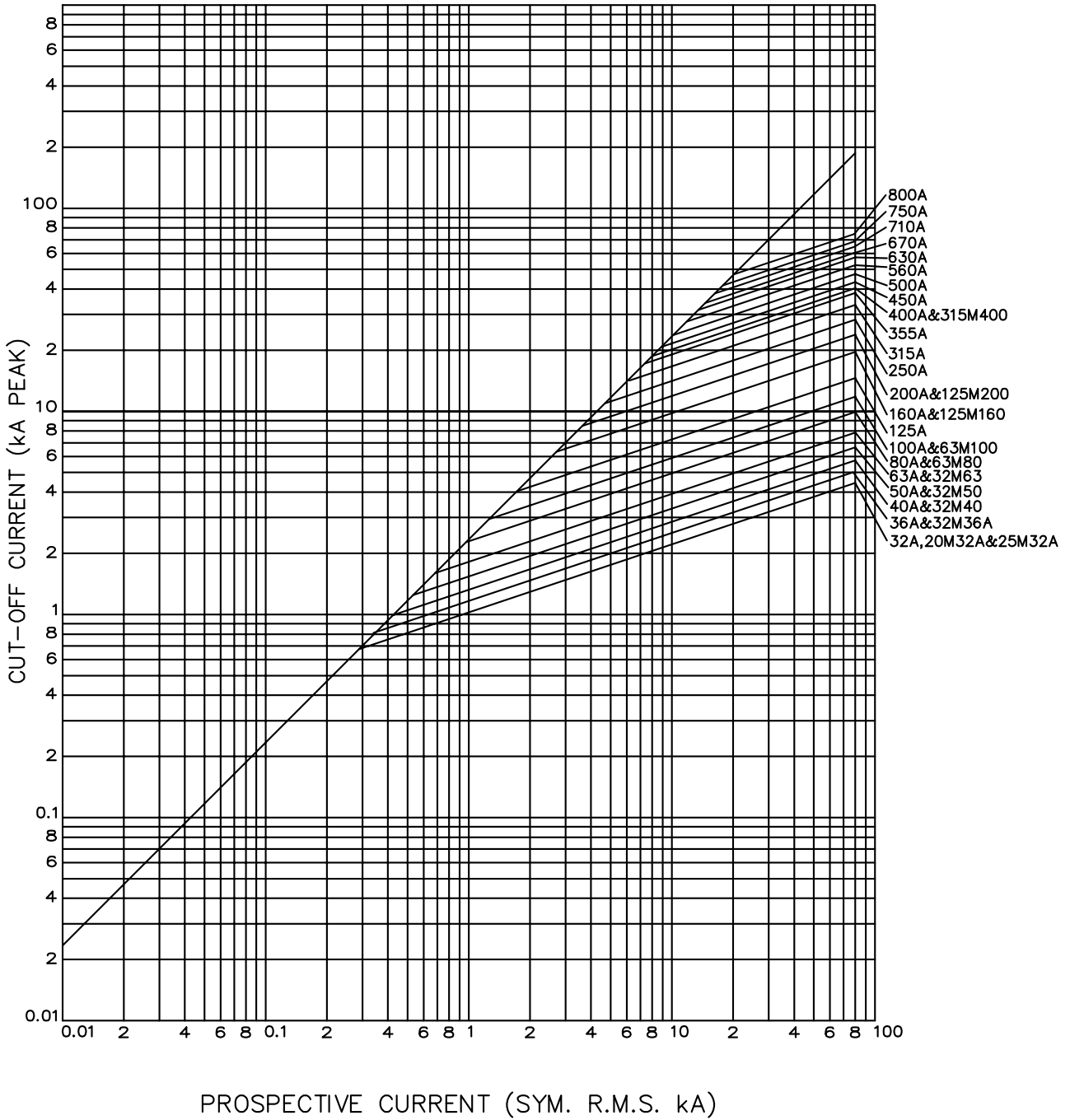
Time Current Curves (NTLU, NTXU)

Fuses and Bases





Cut-Off Characteristics 415 V AC 20 to 800 A

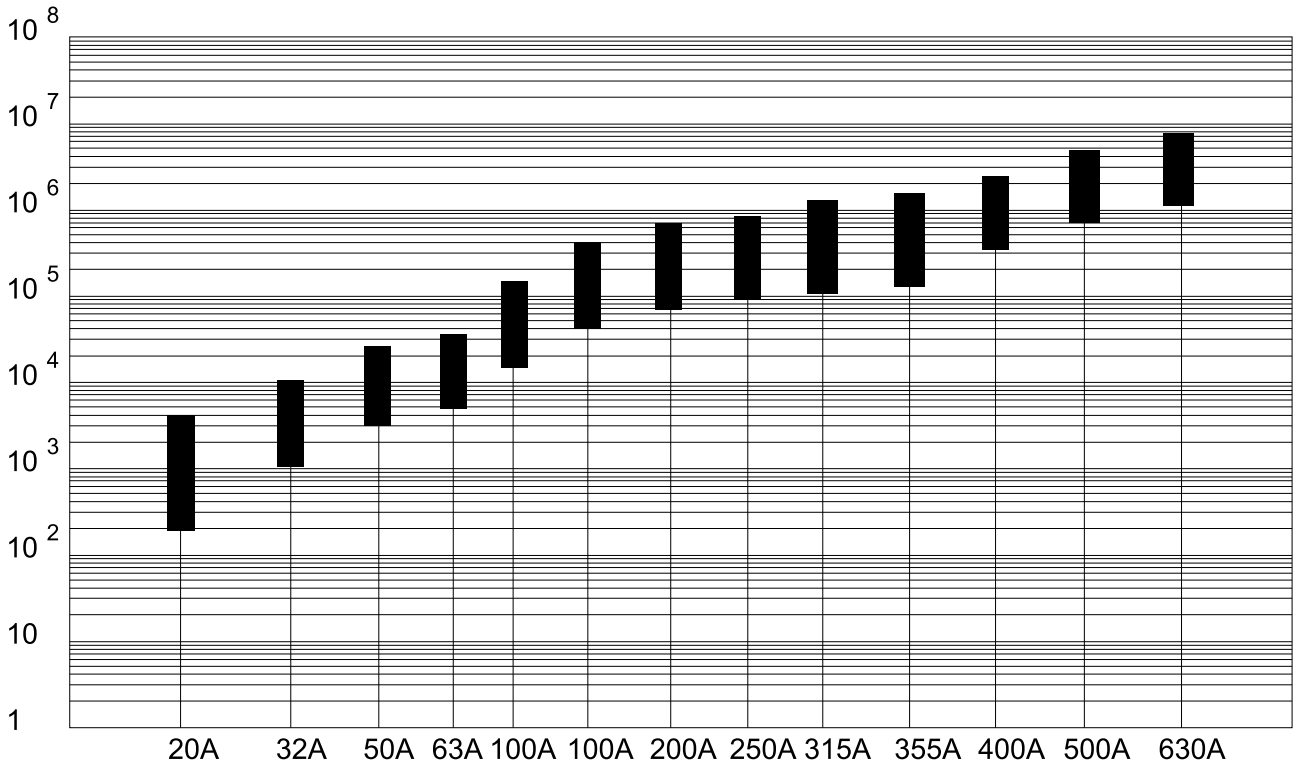




Energy Let Through 20 to 630 A

I²T Characteristics

Bolted Type HRC BS88



Fuse Rating Amperes

With Prospective Current
80 kA at 500 Volts

BS Standard Switch Fuses (20 to 1250 A)



- ✓ 90 degree rotatory open-close. Supplied with handle and shaft for external operation
- ✓ Handles and switches fuse bodies both include a padlock facility to lock OFF the switch for lockout tagout (LOTO) insulation
- ✓ Suits bolt-in fuse links 20 to 1250 A
- ✓ 100 kA fault rating
- ✓ Double breaking per pole (top or bottom) for isolated fuse removal
- ✓ Positive break indication
- ✓ Option: Fuse monitoring devices for remote blown fuse indication
- ✓ Complies to BS standard
- ✓ IP30
- ✓ Base mounting



General

| | | |
|--|-----|------|
| Un, Nominal Operational Voltage, AC | 690 | V AC |
|--|-----|------|

| | | |
|--|-----|------|
| Ue, Rated Operational Voltage, AC | 690 | V AC |
|--|-----|------|

| | | |
|---|-----|------|
| Ue, Rated Operational Voltage, DC, Max | 440 | V DC |
|---|-----|------|

| | | |
|--|----|----|
| Uimp, Impulse Withstand Voltage | 12 | kV |
|--|----|----|

| | | |
|---|----|----|
| Rated Peak Withstand Current 550 V | 80 | kA |
|---|----|----|

| | | |
|--|----|--------|
| Maximum Operating Temperature With Derating | 70 | °C max |
|--|----|--------|

| | | |
|------------------|----------------------|--|
| IP Rating | IP30 (using shrouds) | |
|------------------|----------------------|--|

| | | |
|-----------------------------|--|--|
| Standards Compliance | IEC 60947-3 AS/NZS 60947-3 IEC 60269-2-1 AS 60269.2.1 | |
|-----------------------------|--|--|

| | | |
|-----------------------|-------------|--|
| Certifications | CCC KEMA | |
|-----------------------|-------------|--|

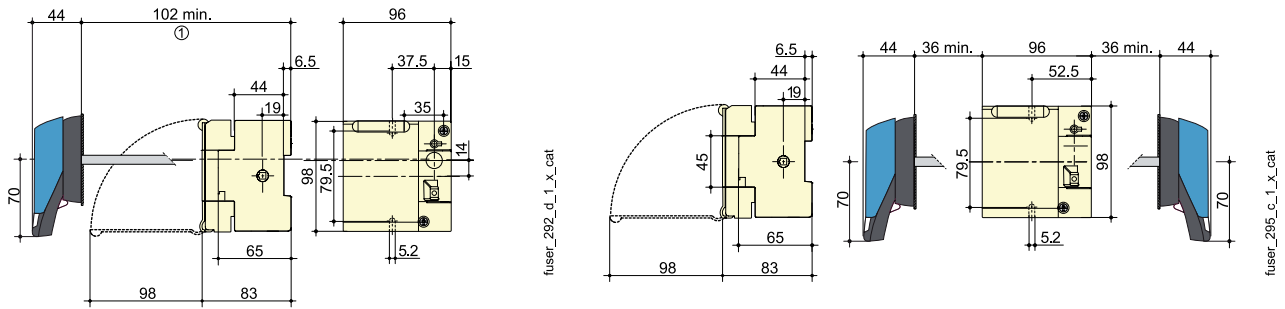
| | | |
|----------------------------|---|--|
| Service Information | Product is not repairable. Please contact your local NHP sales representative for assistance. | |
|----------------------------|---|--|



Dimensions for SSF BS Switch Fuses (20 A) (mm)

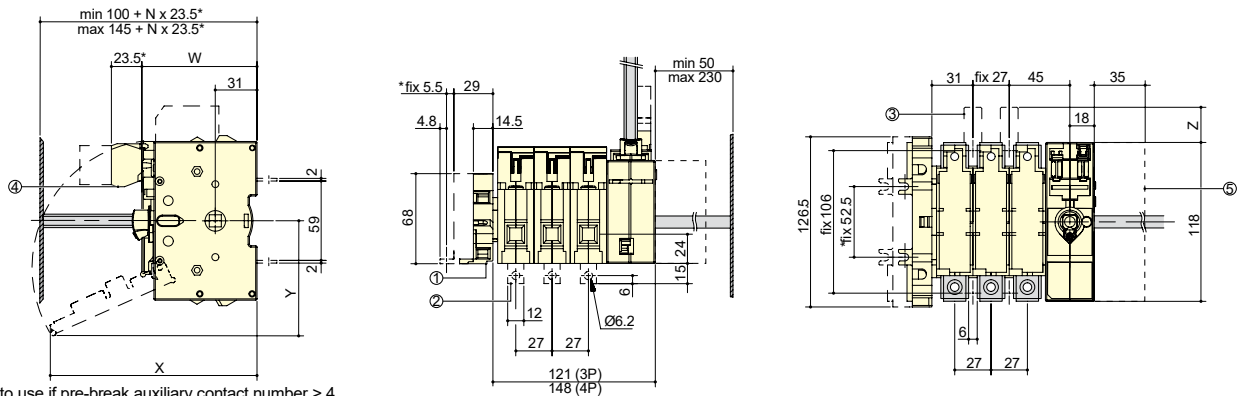
External front operation

External side operation



① With 1 U-type AC: 130 mm.
With 2 U-type AC: 155 mm.

Dimensions for SSF BS Switch Fuses (32 A) (mm)



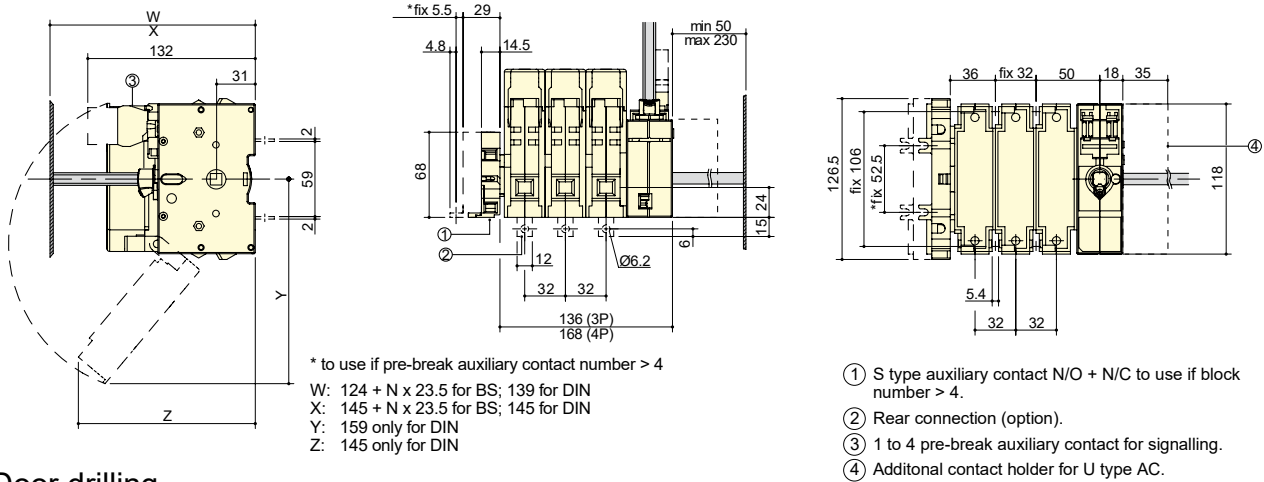
* to use if pre-break auxiliary contact number > 4

W: 84.5 + N x 23.5 for BS; 87 for DIN
X: 153 only for DIN
Y: 85 only for DIN
Z: 26 only for DIN

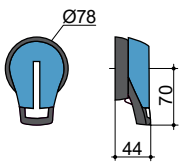
- ① S type auxiliary contact N/O + N/C to use if block number > 4.
- ② Rear connection (option).
- ③ 1 or 2 pre-break auxiliary contact (fuse blown indication).
- ④ 1 to 4 pre-break auxiliary contact for signalling.
- ⑤ Additional contact holder for U type AC.



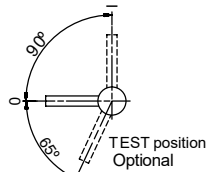
Dimensions for SSF BS (63 A) and DIN (63 A) Switch Fuses (mm)



Door drilling

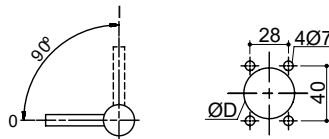


S1 handle



S type handle – front operation

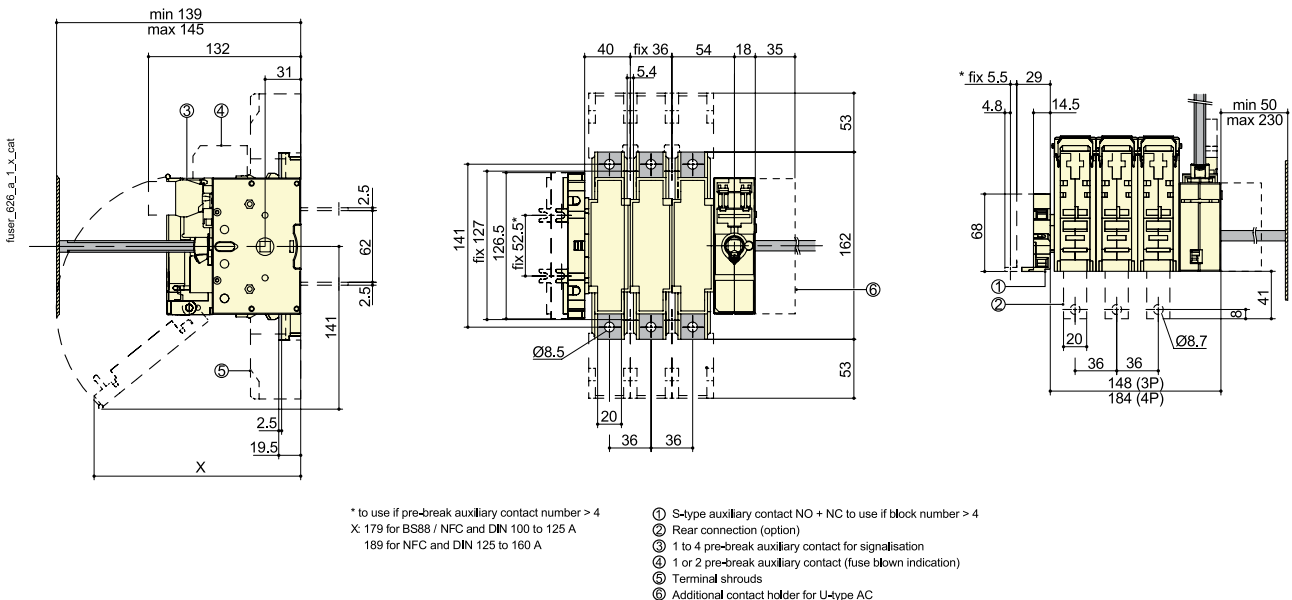
Conventional fixing (from rear): D = 31 to 37 mm
 Fast fixing (external, door closed): D = 37 mm



S type handle – side operation

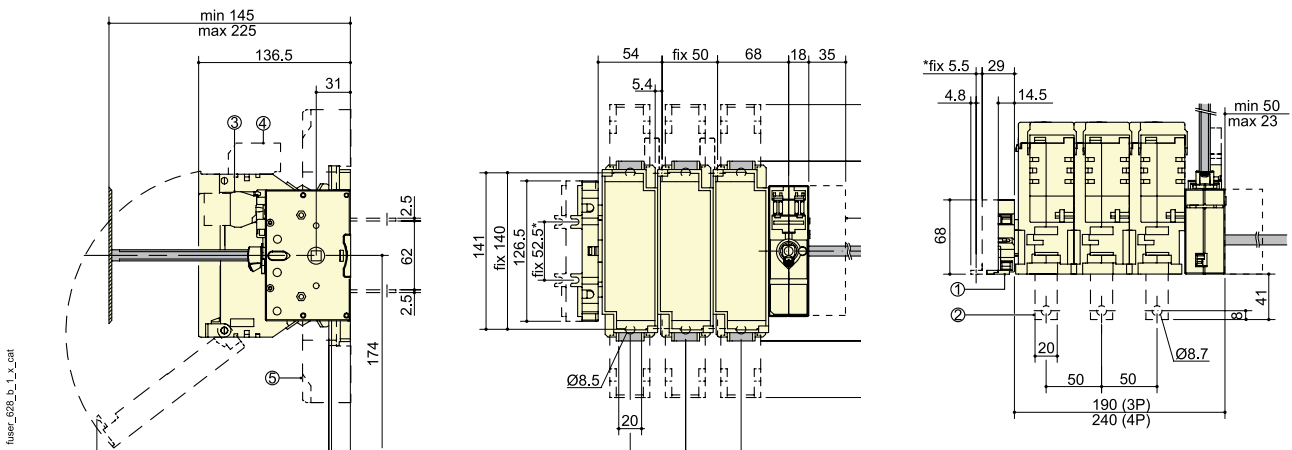
Conventional fixing (from rear): D = 31 to 37 mm
 Fast fixing (external, door closed): D = 37 mm

Dimensions for SSF BS (100 A) and DIN (125 A) Switch Fuses (mm)



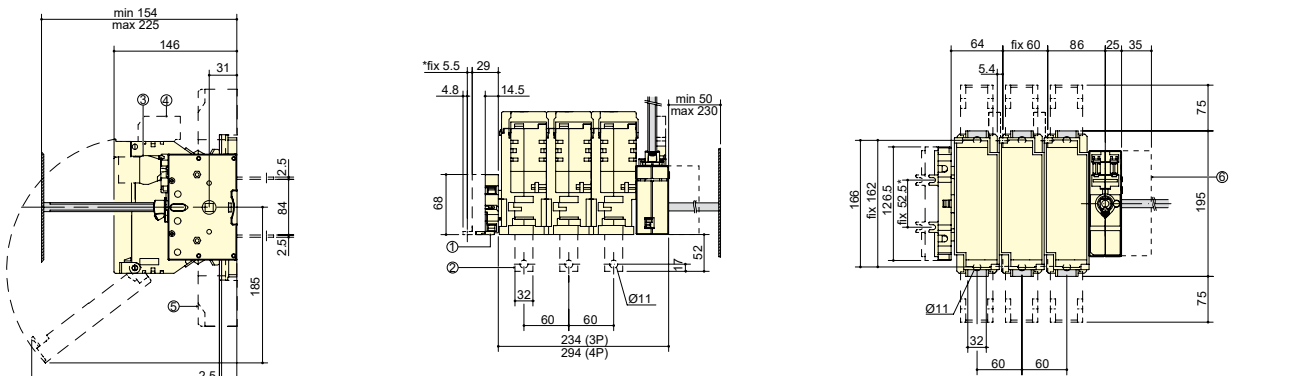


Dimensions for SSF BS (160 A) and DIN (160 A) Switch Fuses (mm)



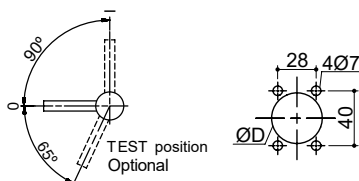
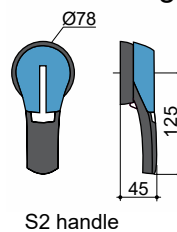
- * to use if pre-break auxiliary contact number > 4
- ① S-type auxiliary contact NO + NC to use if block number > 4
- ② Rear connection (option)
- ③ 1 to 4 pre-break auxiliary contact for signalisation
- ④ 1 or 2 pre-break auxiliary contact (fuse blown indication)
- ⑤ Terminal shrouds
- ⑥ Additional contact holder for U-type AC

Dimensions for SSF BS (200 - 250 A) and DIN (250 A) Switch Fuses (mm)

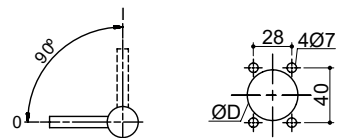


- * to use if pre-break auxiliary contact number > 4
- ① S type auxiliary contact N/O + N/C to use if block number > 4.
- ② Rear connection (option).
- ③ 1 to 8 pre-break auxiliary contact for signalling.
- ④ 1 or 2 pre-break auxiliary contact (fuse blown indication).
- ⑤ Terminal shrouds.
- ⑥ Additional contact holder for U type AC.

Door drilling



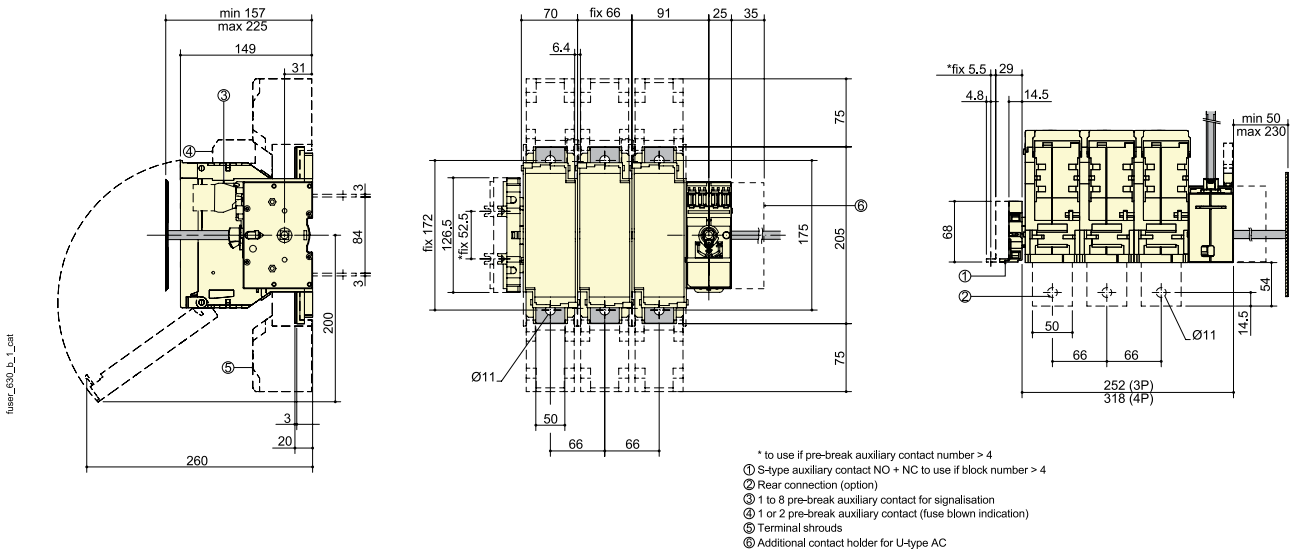
S type handle – front operation
Conventional fixing (from rear): D = 31 to 37 mm
Fast fixing (external, door closed): D = 37 mm



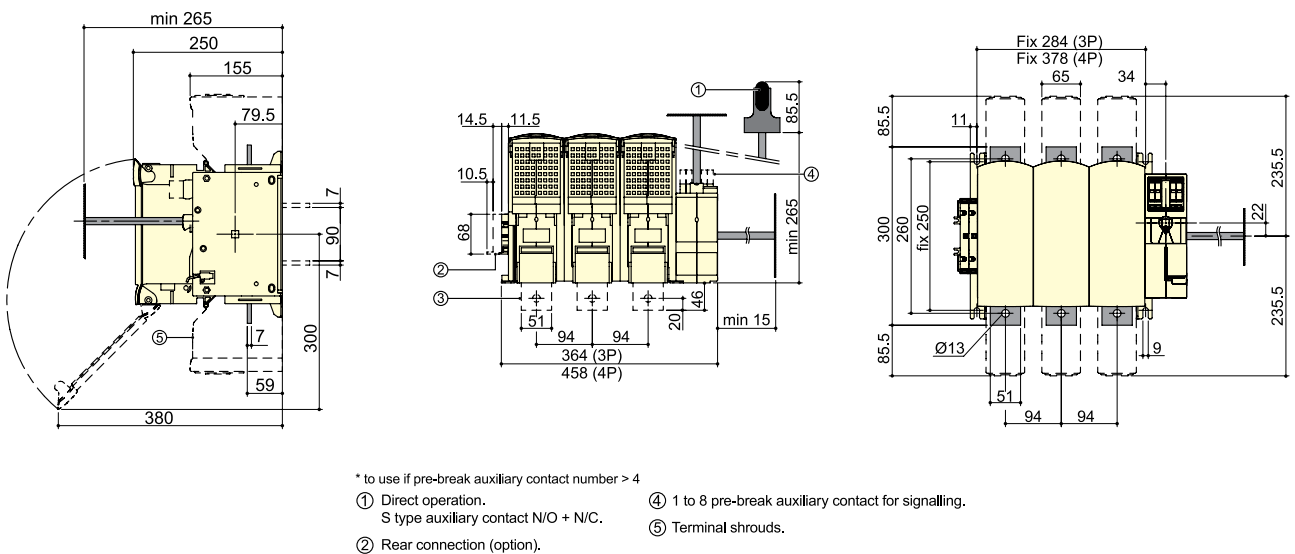
S type handle – side operation
Conventional fixing (from rear): D = 31 to 37 mm
Fast fixing (external, door closed): D = 37 mm



Dimensions for SSF BS (315 - 400 A) and DIN (400 A) Switch Fuses (mm)



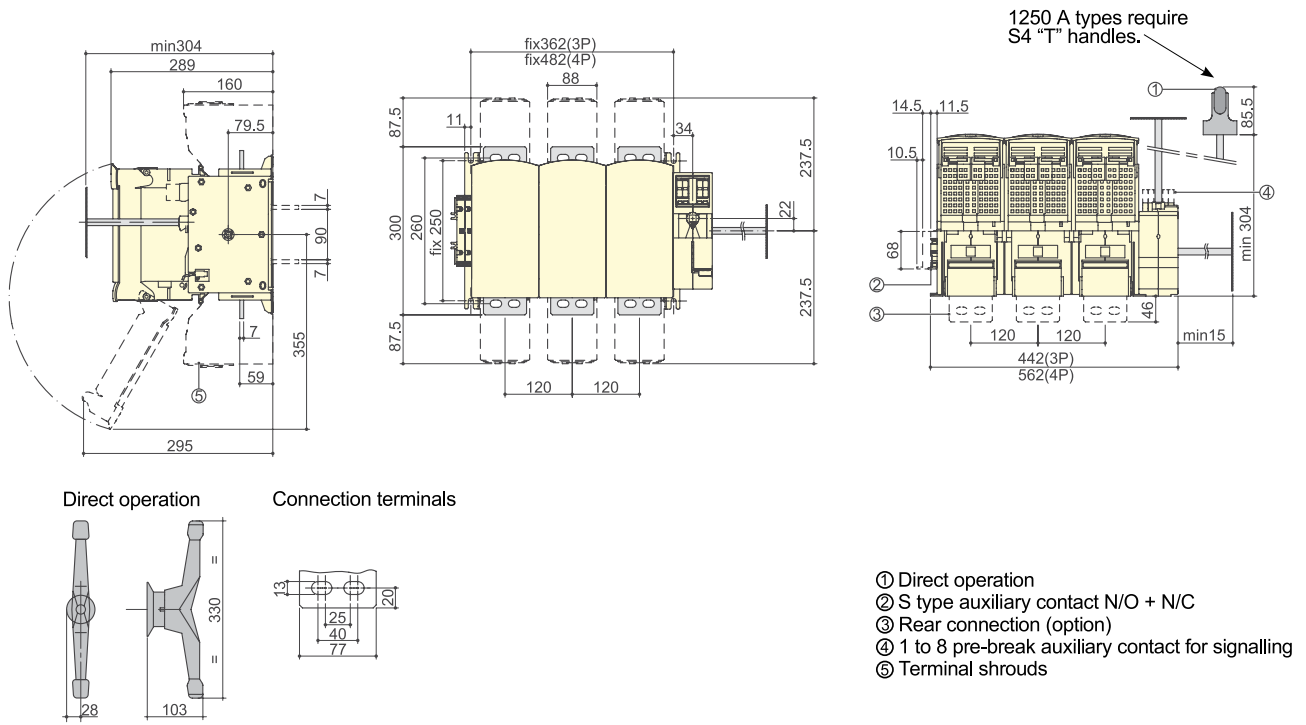
Dimensions for SSF BS (630 - 800 A) and DIN (630 - 800 A) Switch Fuses (mm)





Dimensions for SSF BS (1250 A) and DIN (1250 A) Switch Fuses (mm)

Fuses and Bases





SSF BS Standard Switch Fuses

Front operated, base mount (supplied with external handle and 320 mm shaft).

| Fuse Rating (A) | Cartridge Size | AC-23A (A @ 415 V) | AC-23A (kW @ 400 V) | Catalogue No. (3P) | Catalogue No. (4P) |
|-----------------|-------------------|--------------------|---------------------|--------------------|--------------------|
| 20 | A1 | 20 | 9 | SSFBS20C3P | SSFBS20CP4P |
| 32 | A1 | 32 | 15 | SSFBS323P | SSFBS324P |
| 63 | A2 - A3 | 63 | 30 | SSFBS633P | SSFBS634P |
| 100 | A4 | 100 | 51 | SSFBS1003P | SSFBS1004P |
| 160 | A4 - B1 - B2 | 160 | 80 | SSFBS1603P | SSFBS1604P |
| 200 | B1 - B2 | 200 | 100 | SSFBS2003P | SSFBS2004P |
| 250 | B1 - B2 - B3 | 250 | 132 | SSFBS2503P | SSFBS2504P |
| 315 | B1 - B2 - B3 | 315 | 160 | SSFBS3153P | SSFBS3154P |
| 400 | B1 - B2 - B3 - B4 | 400 | 220 | SSFBS4003P | SSFBS4004P |
| 630 | C1 - C2 | 630 | 355 | SSFBS6303P | SSFBS6304P |
| 800 | C1 - C2 - C4 | 800 | 450 | SSFBS8003P | SSFBS8004P |
| 1250 | D1 | 1000 | 560 | SSFBS12503P | SSFBS12504P |

General (20 - 160 A)

| | | | | 20 A | 32C A | 32 A | 63 A | 100 A | 125 A | 160 A | 160 A |
|--|-----------|---|---|------|-------|------|----------|-------|----------|---------|-------|
| DIN or BS Fuse Types | | | | BS | BS | BS | DIN / BS | BS | DIN / BS | BS | DIN |
| Fuse Types, gG General Purpose AS 60269.2.1:2005, AS/NZS 60269.2.1:2001 | DIN 43620 | – | – | – | – | – | 00C | – | 0 | – | 0 |
| | BS 88 | – | – | A1 | A1 | A1 | A2 - A3 | A4 | – | B1 - B2 | – |

Ratings Data (20 - 160 A)

| | | | | 20 A | 32C A | 32 A | 63 A | 100 A | 125 A | 160 A | 160 A |
|---|----------------------|-------|------|------|-------|------------------|------------------|-------------------|-------------------|-------------------|-------------------|
| Rated Insulation Voltage | – | – | V | 800 | 800 | 750 | 750 | 750 | 750 | 750 | 750 |
| Rated Impulse Withstand Voltage | – | – | kV | 8 | 8 | 8 | 8 | 8 | 8 | 8 | 8 |
| AC Rated Operational Current | AC 21 A | 400 V | A | 20 | 32 | 32 | 63 | 100 | 125 | 160 | 160 |
| | | 690 V | A | 20 | 32 | 32 | 63 | 100 ¹⁾ | 125 ¹⁾ | 160 ¹⁾ | 160 ¹⁾ |
| | AC 22 A | 400 V | A | 20 | 32 | 32 | 63 | 100 | 125 | 160 | 160 |
| | | 690 V | A | 20 | 32 | 32 | 63 | 100 ¹⁾ | 125 ¹⁾ | 160 ¹⁾ | 160 ¹⁾ |
| | AC 23 A | 400 V | A | 20 | 32 | 32 | 63 | 100 | 125 | 160 | 160 |
| | | 690 V | A | 20 | 32 | 32 | 63 | 100 ¹⁾ | 100 ¹⁾ | 125 ¹⁾ | 125 ¹⁾ |
| DC Rated Operational Current / Poles in Series | DC 21 A | 220 V | A | – | – | 32 | 63 | 100 | 125 | 160 | 160 |
| | | 440 V | A | – | – | 32 ²⁾ | 63 ²⁾ | 100 ²⁾ | 125 ²⁾ | 160 ²⁾ | 160 ²⁾ |
| | DC 22 A | 220 V | A | – | – | 32 | 63 | 100 | 125 | 160 | 160 |
| | | 440 V | A | – | – | 32 ²⁾ | 63 ²⁾ | 100 ²⁾ | 125 ²⁾ | 160 ²⁾ | 160 ²⁾ |
| | DC 21 A | 220 V | A | – | – | 32 | 40 | 100 | 100 | 125 | 125 |
| | | 440 V | A | – | – | 32 ²⁾ | 40 ²⁾ | 100 ²⁾ | 100 ²⁾ | 160 ²⁾ | 125 ²⁾ |
| Operational Power | Without Pre-break AC | 440 V | kW | 9 | 15 | 15 | 30 | 51 | 63 | 80 | 80 |
| | Without Pre-break AC | 690 V | kW | 15 | 25 | 25 | 55 | 90 | 90 | 110 | 110 |
| Rated Capacitor Power | – | – | kVAr | 8 | 15 | 15 | 28 | 45 | 55 | 75 | 75 |

Notes

1) With terminal shrouds/screen.

2) 4 pole device with 2 poles in series by polarity.

240 / 415 V ratings suitable for use on 230 / 400 V in accordance with AS 60038: 2012.

Ratings to AS/NZS 60947-3 and IEC 60947-3

General (200 - 1250 A)

| | | | | 200 A | 250 A | 315 A | 400 A | 630 A | 800 A | 1250 A |
|--|-----------|---|---|--------|---------------|---------------|-------------------|----------|---------------|----------|
| DIN or BS Fuse Types | | | | BS | DIN / BS | BS | DIN / BS | DIN / BS | DIN / BS | DIN / BS |
| Fuse Types, gG General Purpose AS 60269.2.1:2005, AS/NZS 60269.2.1:2001 | DIN 43620 | – | – | – | 1 | – | 2 | 3 | 3 | 4 |
| | BS 88 | – | – | B1, B2 | B1, B2, B3 | B1, B2, B3 | B1, B2, B3, B4 | C1, C2 | C1, C2, C3 | D1 |

Ratings Data (200 - 1250 A)

| | | | | 200 A | 250 A | 315 A | 400 A | 630 A | 800 A | 1250 A |
|---|----------------------|----------|------|-------------------|-------------------|-------------------|-------|-------|-------------------|--------------------|
| Rated Insulation Voltage | | V | | 750 | 750 | 800 | 800 | 1000 | 1000 | 1000 |
| Rated Impulse Withstand Voltage | | kV | | 8 | 8 | 8 | 8 | 12 | 12 | 12 |
| AC Rated Operational Current | AC 21 A | 400 V A | | 200 | 250 | 315 | 400 | 630 | 800 | 1250 |
| | | 690 V A | | 200 ¹⁾ | 250 ¹⁾ | 315 ¹⁾ | 315 | 500 | 800 | 800 |
| | AC 22 A | 400 V A | | 200 | 250 | 315 | 400 | 630 | 800 | 1250 |
| | | 690 V A | | 200 ¹⁾ | 250 ¹⁾ | 315 ¹⁾ | 315 | 500 | 800 | 800 |
| | AC 23 A | 400 V A | | 200 | 250 | 315 | 400 | 630 | 800 | 1000 |
| | | 690 V A | | 200 ¹⁾ | 250 ¹⁾ | 250 ¹⁾ | 250 | 315 | 630 | 630 |
| DC Rated Operational Current / Poles in Series | DC 21 A | 220 V A | | 200 | 250 | 250 | 315 | 315 | 800 | 1250 |
| | | 440 V A | | 250 ²⁾ | 250 ²⁾ | 250 ²⁾ | 315 | 315 | 800 ²⁾ | 1000 ²⁾ |
| | DC 22 A | 220 V A | | 200 | 250 | 250 | 315 | 315 | 800 | 1250 |
| | | 440 V A | | 250 ²⁾ | 250 ²⁾ | 250 ²⁾ | 315 | 315 | 800 ²⁾ | 1000 ²⁾ |
| | DC 21 A | 220 V A | | 200 | 200 | 200 | 200 | 400 | 800 | 1250 |
| | | 440 V A | | 200 ²⁾ | 200 ²⁾ | 200 ²⁾ | 250 | 315 | 800 ²⁾ | 1000 ²⁾ |
| Operational Power | Without Pre-break AC | 440 V kW | | 100 | 132 | 160 | 220 | 355 | 63 | 560 |
| | Without Pre-break AC | 690 V kW | | 150 | 220 | 222 | 220 | 295 | 90 | 400 |
| Rated Capacitor Power | – | – | kVAr | 90 | 115 | 145 | 185 | 290 | 365 | 460 |

Notes

1) With terminal shrouds/screen.

2) 4 pole device with 2 poles in series by polarity.

240 / 415 V ratings suitable for use on 230 / 400 V in accordance with AS 60038: 2012.

Ratings to AS/NZS 60947-3 and IEC 60947-3

Connection (20 - 160 A)

| | | | | 20 A | 32C A | 32 A | 63 A | 100 A | 125 A | 160 A | 160 A |
|--|---|---|-----------------|----------|----------|--------|---------|---------|---------|---------|---------|
| Connection Cable Size (Min. / Max.) | – | – | mm ² | 2.5 / 16 | 2.5 / 16 | 6 / 25 | 10 / 25 | 25 / 95 | 35 / 95 | 50 / 95 | 50 / 95 |

Physical (20 - 160 A)

| | | | | 20 A | 32C A | 32 A | 63 A | 100 A | 125 A | 160 A | 160 A |
|-----------------------------|---|---|-----|-------|-------|-------|-------|-------|-------|-------|-------|
| Mechanical Endurance | – | – | Ops | 20000 | 20000 | 10000 | 10000 | 10000 | 10000 | 10000 | 10000 |
| Weight (3 Pole) | – | – | Kg | 0.5 | 0.5 | 1.0 | 1.3 | 1.8 | 1.9 | 2.5 | 2.5 |

Short-Circuit Capacity (20 - 160 A)

| | | | | 20 A | 32C A | 32 A | 63 A | 100 A | 125 A | 160 A | 160 A |
|---|---|-------|----|------|-------|------|------|-------|-------|-------|-------|
| Short Circuit Capacity | | | | | | | | | | | |
| Switch-Fuse Cut-Off Current (kA Peak) | – | 400 V | kA | 5.5 | 5.5 | 9 | 10.6 | 20 | 20 | 20 | 22.7 |
| Fuse Protected Short Circuit Withstand | – | 400 V | kA | 80 | 80 | 80 | 80 | 80 | – | 50 | 80 |
| AC DIN or BS (kA RMS Prospective) | – | Fuse | A | 20 | 32 | 32 | 63 | 100 | – | 160 | 160 |

Notes

240 / 415 V ratings suitable for use on 230 / 400 V in accordance with AS 60038: 2012.

Ratings to AS/NZS 60947-3 and IEC 60947-3

Connection (200 - 1250 A)

| | | | 200 A | 250 A | 315 A | 400 A | 630 A | 800 A | 1250 A | |
|--|---|---|-----------------|----------|----------|-----------|-----------|-------------------|-------------------|---------|
| Connection Cable Size (min. / max.) | – | – | mm ² | 94 / 240 | 94 / 240 | 185 / 240 | 185 / 240 | 2 x 150 / 2 x 300 | 2 x 185 / 2 x 300 | 4 x 185 |

Physical (200 - 1250 A)

| | | | 200 A | 250 A | 315 A | 400 A | 630 A | 800 A | 1250 A | |
|-----------------------------|---|---|-------|-------|-------|-------|-------|-------|--------|------|
| Mechanical Endurance | – | – | Ops | 10000 | 10000 | 10000 | 10000 | 8000 | 8000 | 8000 |
| Weight (3 Pole) | – | – | Kg | 3.8 | 3.8 | 4.8 | 4.8 | 18.7 | 19.8 | 25.0 |

Short-Circuit Capacity (200 - 1250 A)

| | | | 200 A | 250 A | 315 A | 400 A | 630 A | 800 A | 1250 A | |
|---|---|-------|-------|-------|-------|-------|-------|-------|--------|----|
| Short Circuit Capacity | | | | | | | | | | |
| Switch-Fuse Cut-Off Current (kA Peak) | – | 400 V | kA | 32.5 | 32.5 | 40 | 40 | 70 | 80 | 90 |
| Fuse Protected Short Circuit Withstand | – | 400 V | kA | 80 | 80 | 80 | 80 | 80 | 80 | – |
| AC DIN or BS (kA RMS Prospective) | – | Fuse | A | 200 | 250 | 315 | 400 | 630 | 800 | – |

Notes

240 / 415 V ratings suitable for use on 230 / 400 V in accordance with AS 60038: 2012.

Ratings to AS/NZS 60947-3 and IEC 60947-3

Socomec Switch Fuse Direct Mount Handles

Direct Mount Handles

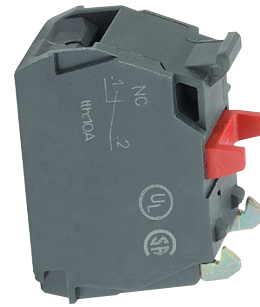
Switch fuse bodies can be padlocked OFF



| Item Description | Catalogue No. |
|--|---------------|
| Direct Mount Handle Suits SSF 20 A - 32 A | 36294012 |
| Direct Mount Handle Suits SSF 63 A - 400 A | 36297910 |
| Direct Mount Handle Suits SSF 630 A - 800 A | 38996011 |
| Direct Mount Handle Suits SSF 800 A - 1250 A | 38997011 |

Socomec Switch Fuse Auxiliaries

Early Break Operation



| Item Description | Catalogue No. |
|--|---------------|
| Auxiliary 1 N/O suits Switch Fuse SSF 20 - 32 A | 39990701 |
| AUX 1 N/C suits Switch Fuse VLB32 - 40 and 125 - 500, SSF 63 - 400 A | 39990702 |



| Item Description | Catalogue No. |
|--|---------------|
| Auxiliary Side 1 N/O / 1 N/C 1st Pos. suits Switch Fuse SSF 63 - 800 A | 39990041 |
| Auxiliary Side 1 N/O / 1 N/C 2nd Pos. suits Switch Fuse SSF 800 - 1250 A | 39990042 |

Socomec Switch Fuse Terminal Shrouds

- Top or bottom touch protection from direct contact with terminals or connection parts
- Perforations allow remote thermographic inspection without the need to remove the shrouds
- The shrouds provide phase protection barriers between phases
- The terminals shrouds consist of clip-together 1 pole covers, and can be converted to 3 or 4 pole types
- IP20 rating from front



| Item Description | Catalogue No. |
|--|---------------|
| Terminal Shroud 3 Pole suits Switch Fuse 630 A and 800 A | 38983080 |
| Terminal Shroud 3 Pole suits Switch Fuse 1250 A | 38983120 |
| Terminal Shroud 4 Pole suits Switch Fuse 630 A and 800 A | 38984080 |
| Terminal Shroud 4 Pole suits Switch Fuse 1250 A | 38984120 |
| Terminal Shroud 3 Pole suits Switch Fuse VLB125 - 200 SSF100 - 160 | 39983016 |
| Terminal Shroud 4 Pole suits Switch Fuse VLB125 - 200 SSF100 - 160 | 39984016 |
| Terminal Shroud 3 Pole suits Switch Fuse VLB250 - 500 SSF200 - 400 | 39983025 |
| Terminal Shroud 4 Pole suits Switch Fuse VLB250 - 500 SSF200 - 400 | 39984025 |

Socomec Switch Fuse Solid Neutral Modules

Solid links can be used, when a user wants a switch fuse to be an isoator, and when fuse links are not fitted. Performs the function of an add-on, unswitched neutral pole.



| Item Description | Catalogue No. |
|--|---------------|
| Solid Neutral Module Suits Switch Fuse 32 A | 36299227 |
| Solid Neutral Module Suits Switch Fuse 63 A | 36299232 |
| Solid Neutral Module Suits Switch Fuse 100 A | 36299236 |
| Solid Neutral Module Suits Switch Fuse 160 A | 36299250 |
| Solid Neutral Module Suits Switch Fuse 200 A and 250 A | 36299260 |
| Solid Neutral Module Suits Switch Fuse 315 A and 400 A | 36299266 |
| Solid Neutral Module Suits Switch Fuse 630 A and 800 A | 36299294 |

DIN Solid Links

Din Fuse Solid Link

A solid link can be installed in a switch fuse, when a fuse is not required.



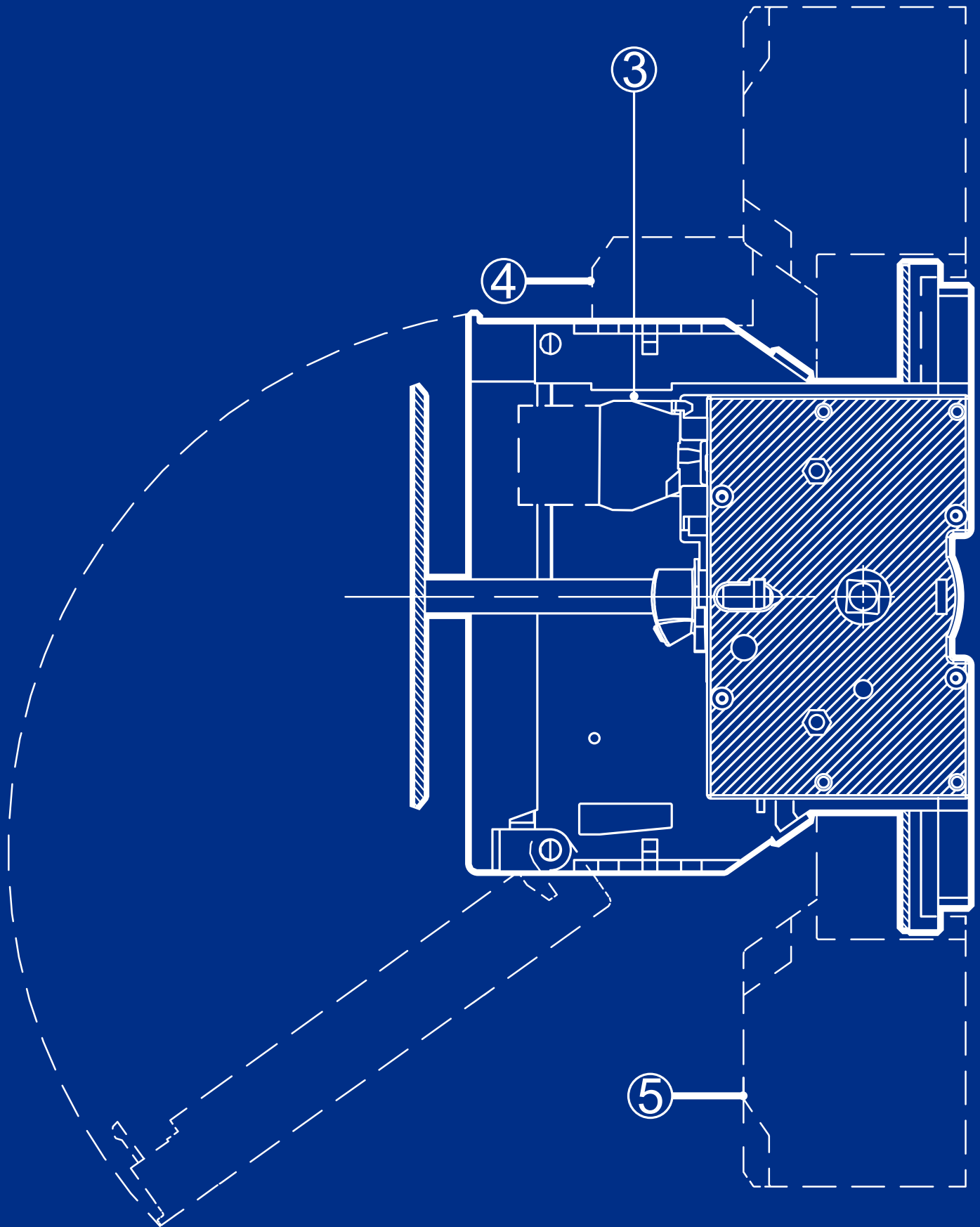
| Item Description | Catalogue No. |
|-------------------------------------|---------------|
| Fuse DIN Solid Links 160 A Size 00C | 6420000 |
| Solid Link Fuse DIN 160 A Size 00 | 64210000 |
| Fuse DIN Solid Links 250 A Size 1 | 64210001 |
| Fuse DIN Solid Links 400 A Size 2 | 64210002 |
| Fuse DIN Solid Links 630 A Size 3 | 64210003 |
| Fuse DIN Solid Links 1250 A Size 4 | 64410005 |

| Catalogue Number | Page | Catalogue Number | Page | Catalogue Number | Page |
|------------------|------|------------------|------|------------------|--------|
| 2 | | | | 3 | |
| 202091363 | 36 | 2021313630 | 37 | 36294012 | 75,124 |
| 202091380 | 36 | 202090863 | 38 | 36297910 | 75,124 |
| 2020913100 | 36 | 202090880 | 38 | 38996011 | 75,124 |
| 2020913125 | 36 | 2020908100 | 38 | 38997011 | 75,124 |
| 204771306 | 36 | 2020908125 | 38 | 39990041 | 75,124 |
| 204771310 | 36 | 2020908160 | 38 | 39990042 | 75,124 |
| 204771316 | 36 | 204770802 | 38 | 39990701 | 75,124 |
| 204771320 | 36 | 204770804 | 38 | 39990702 | 75,124 |
| 204771325 | 36 | 204770806 | 38 | 38983080 | 76,125 |
| 204771332 | 36 | 204770810 | 38 | 38983120 | 76,125 |
| 204771335 | 36 | 204770816 | 38 | 38984080 | 76,125 |
| 204771340 | 36 | 204770820 | 38 | 39983016 | 76,125 |
| 204771350 | 36 | 204770825 | 38 | 39984016 | 76,125 |
| 202111316 | 36 | 204770832 | 38 | 39983025 | 76,125 |
| 202111320 | 36 | 204770835 | 38 | 39984025 | 76,125 |
| 202111325 | 36 | 204770840 | 38 | 38984120 | 76,125 |
| 202111332 | 36 | 202110816 | 38 | 36299227 | 76,125 |
| 202111335 | 36 | 202110820 | 38 | 36299232 | 76,125 |
| 202111340 | 36 | 202110825 | 38 | 36299236 | 76,125 |
| 202111350 | 36 | 202110835 | 38 | 36299250 | 76,125 |
| 202111363 | 36 | 202110840 | 38 | 36299260 | 76,125 |
| 202111380 | 36 | 202110850 | 38 | 36299266 | 76,125 |
| 2021113100 | 36 | 202110863 | 38 | 36299294 | 76,125 |
| 2021113125 | 36 | 202110880 | 38 | 36294012 | 75,124 |
| 2021113160 | 36 | 2021108100 | 38 | 36297910 | 75,124 |
| 2021113200 | 36 | 2021108125 | 38 | 38996011 | 75,124 |
| 2021113250 | 36 | 2021108160 | 38 | 38997011 | 75,124 |
| 202121335 | 37 | 2021108200 | 38 | 39990041 | 75,124 |
| 202121340 | 37 | 2021108224 | 38 | 39990042 | 75,124 |
| 202121350 | 37 | 2021108250 | 38 | 39990701 | 75,124 |
| 202121363 | 37 | 202120835 | 39 | 38983080 | 76,125 |
| 202121380 | 37 | 202120850 | 39 | 38983120 | 76,125 |
| 2021213100 | 37 | 202120863 | 39 | 38984080 | 76,125 |
| 2021213125 | 37 | 202120880 | 39 | 39983016 | 76,125 |
| 2021213160 | 37 | 2021208100 | 39 | 39984016 | 76,125 |
| 2021213200 | 37 | 2021208125 | 39 | 39983025 | 76,125 |
| 2021213224 | 37 | 2021208160 | 39 | 39984025 | 76,125 |
| 2021213250 | 37 | 2021208200 | 39 | 38984120 | 76,125 |
| 2021213300 | 37 | 2021208250 | 39 | 36299227 | 76,125 |
| 2021213315 | 37 | 2021208315 | 39 | 36299232 | 76,125 |
| 2021213355 | 37 | 2021208355 | 39 | 36299236 | 76,125 |
| 2021213400 | 37 | 2021208400 | 39 | 36299250 | 76,125 |
| 2021313300 | 37 | 2021308315 | 39 | 36299260 | 76,125 |
| 2021313315 | 37 | 2021308400 | 39 | 36299266 | 76,125 |
| 2021313355 | 37 | 2021308500 | 39 | 36299294 | 76,125 |
| 2021313400 | 37 | 2021308630 | 39 | 39990702 | 75,124 |
| 2021313425 | 37 | 204771302 | 36 | | |
| 2021313500 | 37 | 204771304 | 36 | | |

| Catalogue Number | Page | Catalogue Number | Page | Catalogue Number | Page |
|------------------|------|------------------|--------|------------------|------|
| 6 | | | | | |
| 60130001 | 12 | 65000031 | 47 | MBP-2-400A-3P | 55 |
| 60130004 | 12 | 65000032 | 47 | MBP-3-630A-3P | 55 |
| 60130006 | 12 | 65000033 | 47 | MBB-00-160A-3P | 61 |
| 60130016 | 12 | 65000020 | 47 | MBB-000-100A-3P | 61 |
| 60130020 | 12 | 65000022 | 47 | MBB-1-250A-3P | 61 |
| 60230001 | 12 | 65000023 | 47 | MBCC1 | 64 |
| 60230004 | 12 | 65000001 | 47 | MBCC2 | 64 |
| 60230006 | 12 | 65000003 | 47 | N | |
| 60230010 | 12 | 65000004 | 47 | N0006 | 25 |
| 60230016 | 12 | 65000010 | 47 | N00010 | 25 |
| 60520004 | 12 | 65000012 | 47 | N00016 | 25 |
| 60520016 | 12 | 65000013 | 47 | N00020 | 25 |
| 60520020 | 12 | 65000014 | 47 | N00035 | 25 |
| 60520025 | 12 | 64200000 | 77,126 | N00040 | 25 |
| 60520032 | 12 | 64210000 | 77,126 | N00050 | 25 |
| 60520040 | 12 | 64210001 | 77,126 | N00063 | 25 |
| 60520050 | 12 | 64210002 | 77,126 | N00080 | 25 |
| 60530002 | 13 | 64210003 | 77,126 | N000100 | 25 |
| 60530004 | 13 | 64410005 | 77,126 | N125 | 25 |
| 60530006 | 13 | 64200000 | 77,126 | N135 | 25 |
| 60530016 | 13 | 64210000 | 77,126 | N150 | 25 |
| 60530020 | 13 | 64210001 | 77,126 | N163 | 25 |
| 60530032 | 13 | 64210002 | 77,126 | N180 | 25 |
| 60530040 | 13 | 64210003 | 77,126 | N1100 | 25 |
| 65001010 | 45 | 64410005 | 77,126 | N1125 | 25 |
| 65001110 | 45 | 60230008 | 12 | N1160 | 25 |
| 65011011 | 45 | C | | N1200 | 25 |
| 65011111 | 45 | CMC101 | 21 | N1224 | 25 |
| 65011012 | 45 | CMC102 | 21 | N1250 | 25 |
| 65011112 | 45 | CMC103 | 21 | N280 | 26 |
| 65011013 | 45 | CMC104 | 21 | N2100 | 26 |
| 65011113 | 45 | CMC141 | 21 | N2125 | 26 |
| 65001030 | 45 | CMC142 | 21 | N2160 | 26 |
| 65001130 | 45 | CMC143 | 21 | N2200 | 26 |
| 65011031 | 45 | CMS221 | 21 | N2224 | 26 |
| 65011131 | 45 | CMS222 | 21 | N2250 | 26 |
| 65011032 | 45 | CMS223 | 21 | N2315 | 26 |
| 65011132 | 45 | D | | N2355 | 26 |
| 65011033 | 45 | DINF | 44 | N2400 | 26 |
| 65011133 | 45 | M | | N3400 | 26 |
| 65101010 | 46 | MBP-000-100A-3P | 55 | N3500 | 26 |
| 65101030 | 46 | MBP-00-160A-3P | 55 | N3630 | 26 |
| 65111011 | 46 | MBP-1-250A-3P | 55 | NV32BBS | 79 |
| 65111031 | 46 | | | NV32FW | 79 |
| 65111012 | 46 | | | NV32FWW | 79 |
| 65111032 | 46 | | | NV63BBS | 79 |
| 65111013 | 46 | | | NV63FW | 79 |
| 65111033 | 46 | | | NC32FW | 82 |
| | | | | NC63FW | 82 |

| Catalogue Number | Page | Catalogue Number | Page | Catalogue Number | Page |
|------------------|------|------------------|------|------------------|------|
| NC125FW | 82 | NTCP100M125 | 95 | N240 | 25 |
| NNS2 | 86 | NTCP100M160 | 95 | N250 | 26 |
| NNS4 | 86 | NTFP125 | 95 | N263 | 26 |
| NNS6 | 86 | NTFP160 | 95 | N2300 | 26 |
| NNS10 | 86 | NTFP200 | 95 | N3315 | 26 |
| NNS16 | 86 | NTFP200M250 | 95 | N3355 | 26 |
| NNS20 | 86 | NTBC2 | 105 | N3425 | 26 |
| NNS25 | 86 | NTBC4 | 105 | N4800 | 26 |
| NNS32 | 86 | NTBC6 | 105 | N4900 | 26 |
| NNS20M25 | 86 | NTBC10 | 105 | N41250 | 26 |
| NES20 | 86 | NTBC16 | 105 | N41600 | 26 |
| NES25 | 86 | NTBC20 | 105 | NNS8 | 86 |
| NES32 | 86 | NTBC25 | 105 | NNS10M16 | 86 |
| NES40 | 86 | NTBC32 | 105 | NNS16M20 | 86 |
| NES50 | 86 | NTBC40 | 105 | NNS25M32 | 86 |
| NES63 | 86 | NTBC50 | 105 | NNS32M40 | 86 |
| NNIT2 | 94 | NTBC63 | 105 | NNS32M50 | 86 |
| NNIT4 | 94 | NTBC63M80 | 105 | NNS32M63 | 86 |
| NNIT6 | 94 | NTBC63M100 | 105 | NOS83 | 95 |
| NNIT10 | 94 | NTC80 | 105 | | |
| NNIT16 | 94 | NTC100 | 105 | S | |
| NNIT20 | 94 | NTC100M125 | 105 | SSFDN633P | 70 |
| NNIT25 | 94 | NTC100M160 | 105 | SSFDN1253P | 70 |
| NNIT32 | 94 | NTF125 | 105 | SSFDN1603P | 70 |
| NNIT20M25 | 94 | NTF160 | 105 | SSFDN2503P | 70 |
| NNIT20M32 | 94 | NTF200 | 105 | SSFDN4003P | 70 |
| NNIT32M40 | 94 | NTF200M250 | 105 | SSFDN6303P | 70 |
| NNIT32M50 | 94 | NTF200M315 | 105 | SSFDN8003P | 70 |
| NNIT32M63 | 94 | NTKF250 | 105 | SSFDN12503P | 70 |
| NTIA2 | 94 | NTKF315 | 105 | SSFDN634P | 70 |
| NTIA4 | 94 | NTKF315M400 | 105 | SSFDN1254P | 70 |
| NTIA6 | 94 | NTKM250 | 105 | SSFDN1604P | 70 |
| NTIA10 | 94 | NTKM315 | 105 | SSFDN2504P | 70 |
| NTIA16 | 94 | NTMF355 | 105 | SSFDN4004P | 70 |
| NTIA20 | 94 | NTMF400 | 106 | SSFDN6304P | 70 |
| NTIA25 | 94 | NTM355 | 106 | SSFDN8004P | 70 |
| NTIA32 | 94 | NTM400 | 106 | SSFDN12504P | 70 |
| NTIA32M40 | 94 | NTTM450 | 106 | SSFBS20C3P | 119 |
| NTIA32M50 | 94 | NTTM500 | 106 | SSFBS323P | 119 |
| NTIA32M63 | 94 | NTTM560 | 106 | SSFBS633P | 119 |
| NTIS36 | 94 | NTTM630 | 106 | SSFBS1003P | 119 |
| NTIS40 | 94 | NTLM710 | 106 | SSFBS1603P | 119 |
| NTIS50 | 94 | NTLM800 | 106 | SSFBS2003P | 119 |
| NTIS63 | 95 | NTXU1000 | 106 | SSFBS2503P | 119 |
| NTIS80 | 95 | NTXU1250 | 106 | SSFBS3153P | 119 |
| NTIS63M80 | 95 | N00025 | 25 | SSFBS4003P | 119 |
| NTIS63M100 | 95 | N00032 | 25 | SSFBS6303P | 119 |
| NOS100 | 95 | N116 | 25 | SSFBS8003P | 119 |
| NOS100M125 | 95 | N120 | 25 | SSFBS12503P | 119 |
| NOS100M160 | 95 | N132 | 25 | SSFBS324P | 119 |
| NTCP80 | 95 | N140 | 25 | | |
| NTCP100 | 95 | N235 | 25 | | |

| Catalogue Number | Page |
|-------------------------|-------------|
| SSFBS634P | 119 |
| SSFBS1004P | 119 |
| SSFBS1604P | 119 |
| SSFBS2004P | 119 |
| SSFBS2504P | 119 |
| SSFBS3154P | 119 |
| SSFBS4004P | 119 |
| SSFBS6304P | 119 |
| SSFBS8004P | 119 |
| SSFBS12504P | 119 |
| SSFBS20CP4P | 119 |



AUSTRALIA

nhp.com.au
SALES 1300 NHP NHP
sales@nhp.com.au

NEW ZEALAND

nhpnz.co.nz
SALES 0800 NHP NHP
sales@nhp-nz.com

**NHP Electrical Engineering
Products**

A.B.N. 84 004 304 812
V.2022-06-09
© Copyright NHP 2022