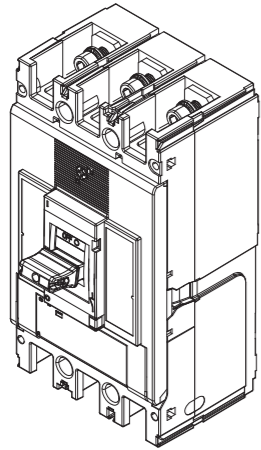




# INSTALLATION INSTRUCTIONS MOULDED CASE CIRCUIT BREAKERS TEMBREAK PRO P630 3P SMART ELECTRONIC



NHP Electrical Engineering Products Pty Ltd  
A.B.N. 84 004 304 812  
AUS 1300 NHP NHP | nhp.com.au  
NZ 0800 NHP NHP | nhp-nz.com

**TOOLS REQUIRED (NOT included)**

T1 Screwdriver Flathead (5mm)    T2 Screwdriver Phillips (#2)    T3 19mm Socket wrench    T4 8mm Allen key Socket wrench    T5 19mm Ring Spanner

**HARDWARE (included)**

A M10x30 Socket Screw (6 qty)    B M10 spring washer (6 qty)    C M10 flat washer (6 qty)    D M6x100 mounting screws (4 qty)    E Interpole Barriers (2 qty)    Instruction Manual (This Document)

**HARDWARE (NOT included)**

F Cable Lug or Copper Bar    G \*M12x40 hex bolt (6 qty)    H \*M12 flat washer (6 qty)    I \*M12 Belleville washer (6 qty)    J \*M12 nut (6 qty)

\*For extension bar connection only

**OPTIONAL (NOT included)**

K Extension Bars    L Terminal Covers    M Terminal Cover Lock    N Handle Lock    Internal Accessories

**MOUNTING ANGLES**

**MOUNTING**

TORQUE 4.6 - 6 Nm

**DIMENSIONS**

116, 90, 140, 184, 90, 82, 14.7, 97, 103, 107, 130, 151 (With handle cap), 8, 151

**CLEARANCE**

BR<sub>1</sub>, BR<sub>2</sub> = Adjacent Isolators / MCCBs

MCCB Cat No.	Y min (mm)	Z min (mm)
P630F	0	80
P630N	100	80
P630H	0	80
P630S	0	80

**CLEARANCE**

INSULATION PLATE, TOP PLATE (EARTHED METAL)

X<sub>1</sub>, X<sub>2</sub>, W\*

INSULATION

\*distance from conductor insulation to downstream MCCB

MCCB Cat No.	W* min (mm)	X <sub>1</sub> min (mm)	X <sub>2</sub> min (mm)
P630F			
P630N	100	80	60
P630H			
P630S	120	120	80

**OPERATING INSTRUCTIONS**

TRIP Button

I (ON), O (OFF), TRIPPED, TRIP, RESET, O (OFF)

Operation	Force (Nm)
OFF → ON	150
ON → OFF	130
TRIP → OFF	162

**DIRECTION OF POWER SUPPLY**

3~

OR

3~

**INTERNAL ACCESSORIES ASSEMBLY PROCEDURE\***

**STEP 1** TRIP MCCB

**STEP 2** OPEN COVER

**STEP 3** IDENTIFY TRIP BAR & MECHANISM

ALARM TRIP BAR, SHUNT/UVT TRIP BAR, SHUNT

**STEP 4.1** UVT/SHUNT INSTALLATION

**STEP 4.2** ALARM INSTALLATION

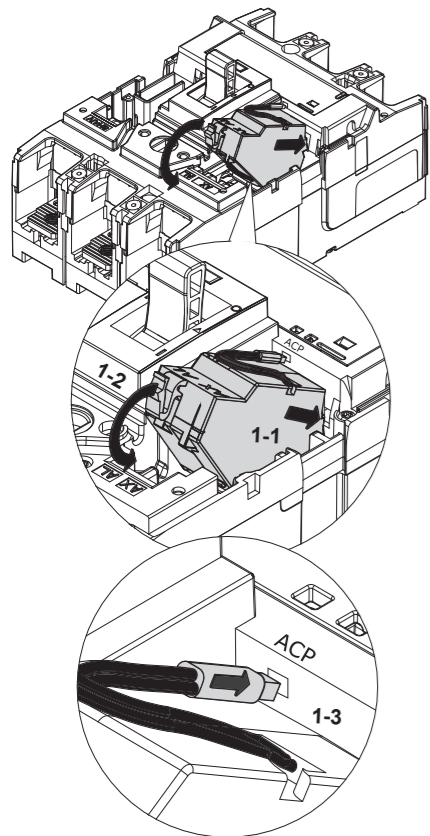
**STEP 5** CLOSE MCCB COVER

OFF

\*For additional internal accessory installations, scan QR code and refer to user manual for more details



SMART AX/AL INSTALLATION PROCEDURE

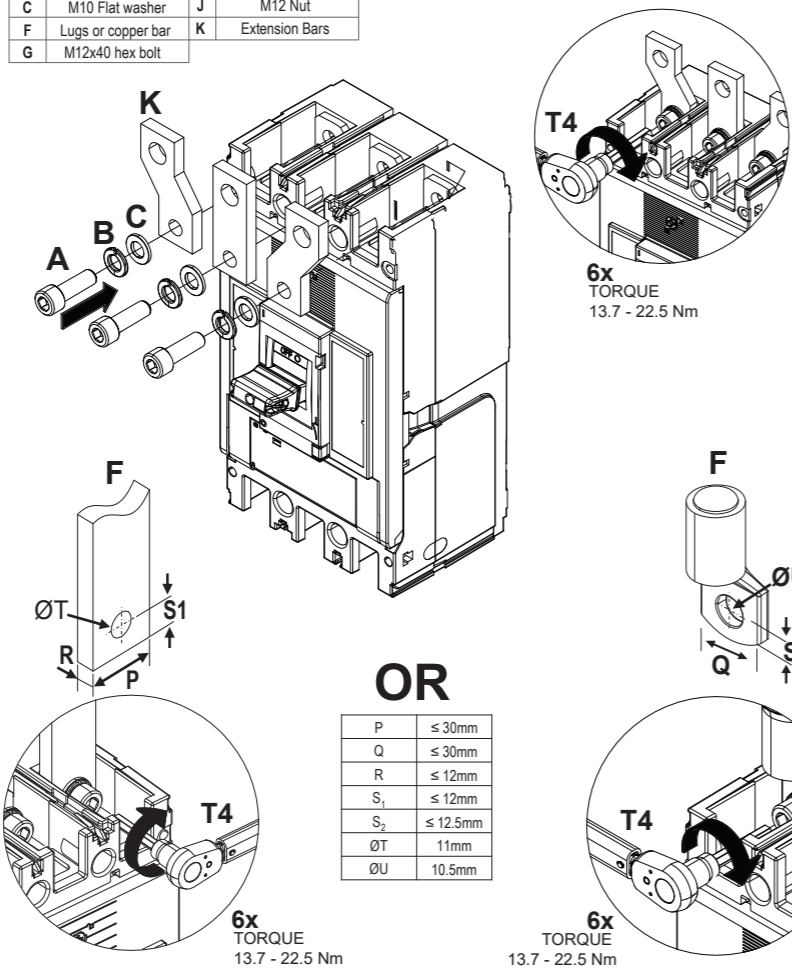


NOTE: SMART type AX/AL can only be installed in the LH side accessories chamber as shown above.

Follow steps 1,2 and 5 of 'Internal Accessories Mounting Procedure' to access and close the internal accessories chambers.

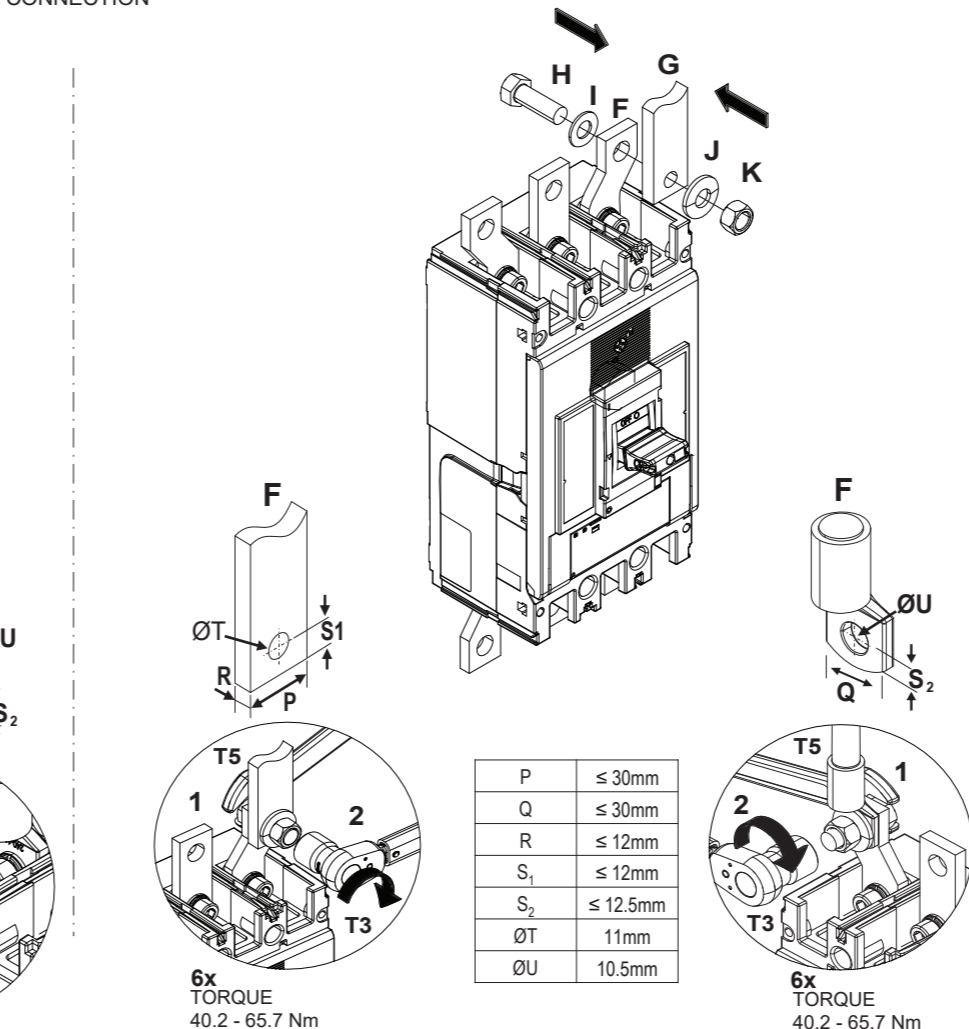
CONDUCTOR CONNECTION PROCEDURE -- FRONT CONNECTION -- EXTENSION BAR CONNECTION PROCEDURE

A	M10x30 Socket screw	H	M12 Flat washer
B	M10 Spring washer	I	M12 Belleville washer
C	M10 Flat washer	J	M12 Nut
F	Lugs or copper bar	K	Extension Bars
G	M12x40 hex bolt		



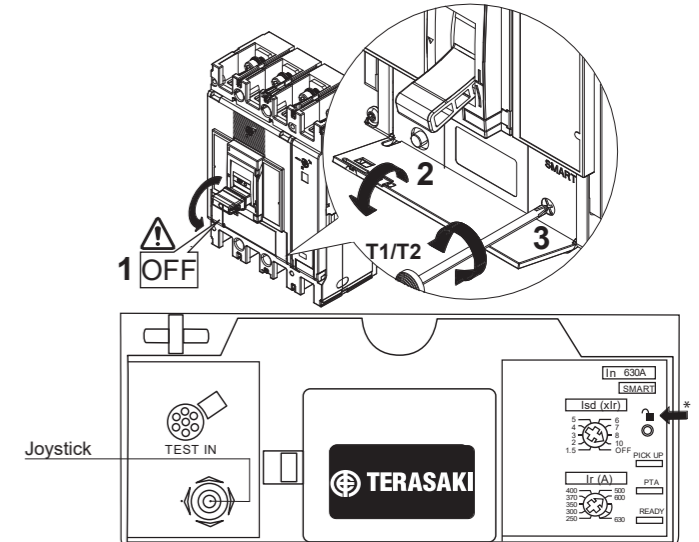
OR

P	≤ 30mm
Q	≤ 30mm
R	≤ 12mm
S <sub>1</sub>	≤ 12mm
S <sub>2</sub>	≤ 12.5mm
ØT	11mm
ØU	10.5mm



P	≤ 30mm
Q	≤ 30mm
R	≤ 12mm
S <sub>1</sub>	≤ 12mm
S <sub>2</sub>	≤ 12.5mm
ØT	11mm
ØU	10.5mm

TRIP UNIT ADJUSTMENT PROCEDURE



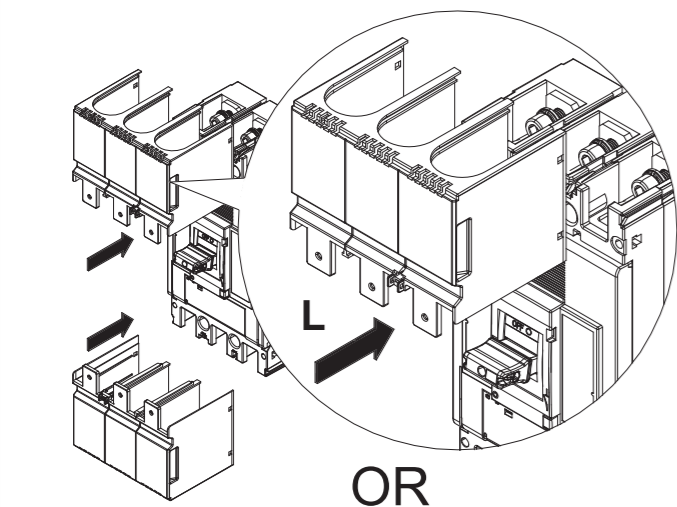
NAVIGATION

- Adjust 'Ir' dial for desired rated current
- To navigate between main menus, move joystick left or right
- To navigate within a submenu, move joystick up or down
- To confirm a setting change, press in the joystick

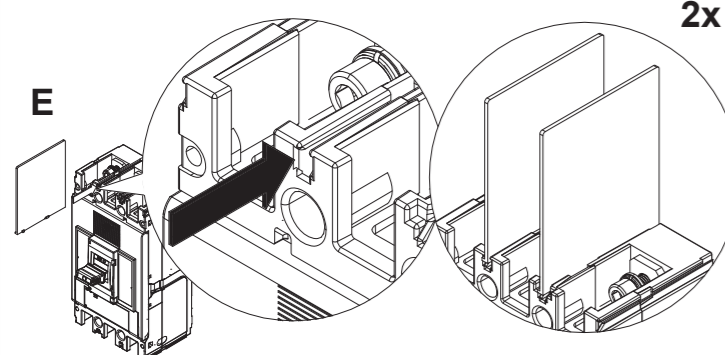
Protection	Measurement	Configuration	Information
DISPLAY ORIENTATION	STANDBY MODE	SCREEN BRIGHTNESS	

\*by default, the SMART OCR Protection settings are protected via a locking function, to unlock, please press the unlock button  
FOR MORE INFORMATION, PLEASE SCAN THE QR CODE

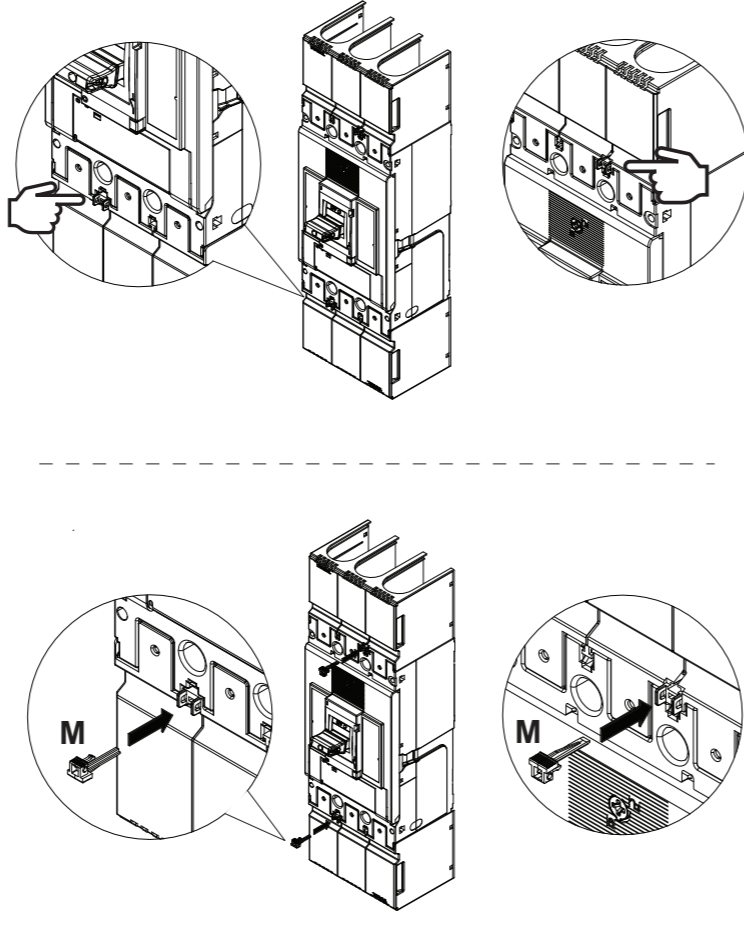
TERMINAL COVER



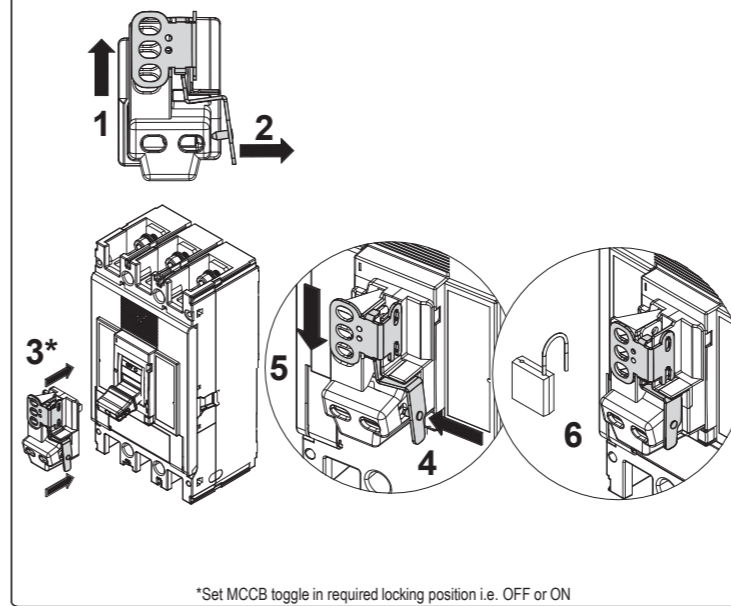
INTERPOLE BARRIER



TERMINAL COVER LOCK

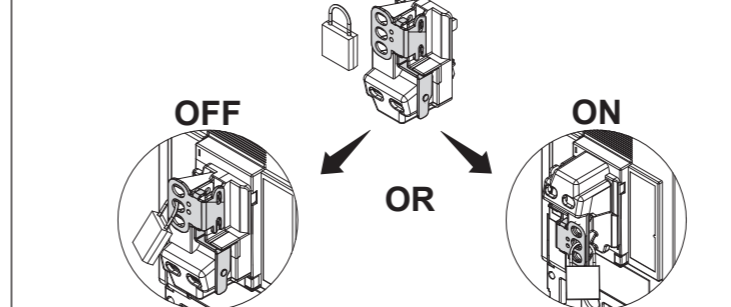


TOGGLE LOCK / PADLOCK ASSEMBLY PROCEDURE

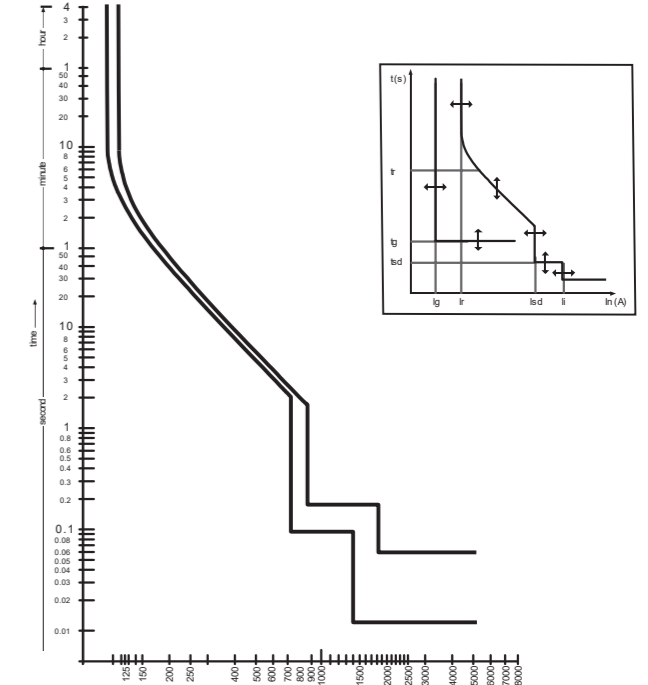


\*Set MCCB toggle in required locking position i.e. OFF or ON

TOGGLE LOCK OPTION



TIME CURRENT CHARACTERISTIC CURVE



	Threshold Adjustment	Time Setting
Long-time protection	(Ir)	(tr)
Short-time protection	(Isd)	(tsd) (t't)
Instant protection	(li)	
Protecting Earth	(lg)	(tg) (t't)
Neutral protection	(N)	

NOTE: The protection menu consists of sub-menus to view and edit each OCR protection setting