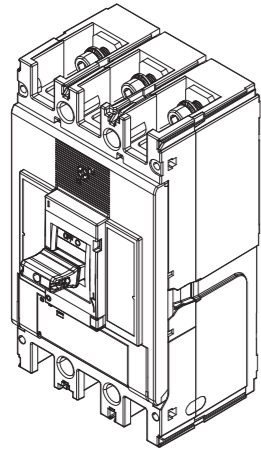


INSTALLATION INSTRUCTIONS MOULDED CASE CIRCUIT BREAKERS TEMBREAK PRO P630 3P BASIC ELECTRONIC



NHP Electrical Engineering Products Pty Ltd
A.B.N. 84 004 304 812
AUS 1300 NHP NHP | nhp.com.au
NZ 0800 NHP NHP | nhp-nz.com

TOOLS REQUIRED (NOT included)

T1 Screwdriver Flathead (5mm) T2 Screwdriver Phillips (#2) T3 19mm Socket wrench T4 8mm Allen key Socket wrench T5 19mm Ring Spanner

HARDWARE (included)

A M10x30 Socket Screw (6 qty) B M10 spring washer (6 qty) C M10 flat washer (6 qty) D M6x100 mounting screws (4 qty) E Interpole Barriers (2 qty) Instruction Manual (This Document)

HARDWARE (NOT included)

F Cable Lug or Copper Bar G *M12x40 hex bolt (6 qty) H *M12 flat washer (6 qty) I *M12 Belleville washer (6 qty) J *M12 nut (6 qty)

*For extension bar connection only

OPTIONAL (NOT included)

K Extension Bars L Terminal Covers M Terminal Cover Lock N Handle Lock Internal Accessories

MOUNTING ANGLES

MOUNTING

TORQUE 4.6 - 6 Nm

DIMENSIONS

CLEARANCE

MCCB Cat No.	Y min (mm)	Z min (mm)
P630F	0	80
P630N	0	80
P630H	0	80
P630S	0	80

BR₁, BR₂ = Adjacent Isolators / MCCBs

CLEARANCE

*distance from conductor insulation to downstream MCCB

MCCB Cat No.	W* min (mm)	X ₁ min (mm)	X ₂ min (mm)
P630F	100	80	60
P630N	100	80	60
P630H	100	80	60
P630S	120	120	80

OPERATING INSTRUCTIONS

Operation	Force (Nm)
OFF → ON	150
ON → OFF	130
TRIP → OFF	162

DIRECTION OF POWER SUPPLY

INTERNAL ACCESSORIES ASSEMBLY PROCEDURE*

STEP 1 TRIP MCCB

STEP 2 OPEN COVER

STEP 3 IDENTIFY TRIP BAR & MECHANISM

STEP 4.1 UVT/SHUNT INSTALLATION

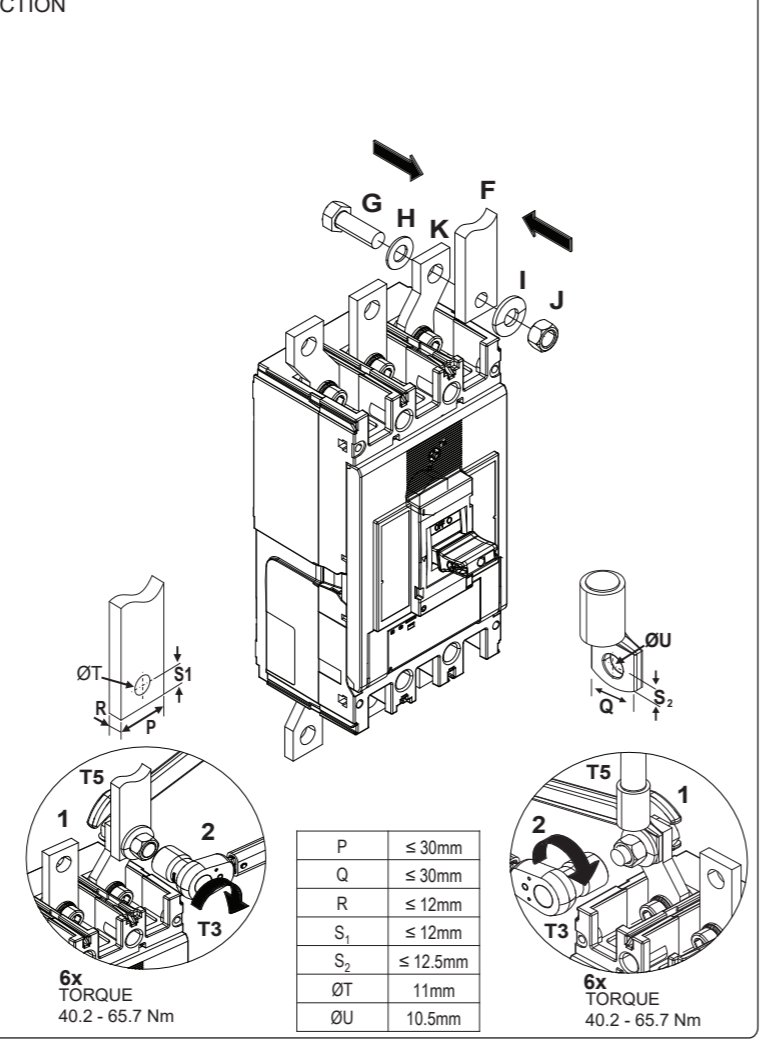
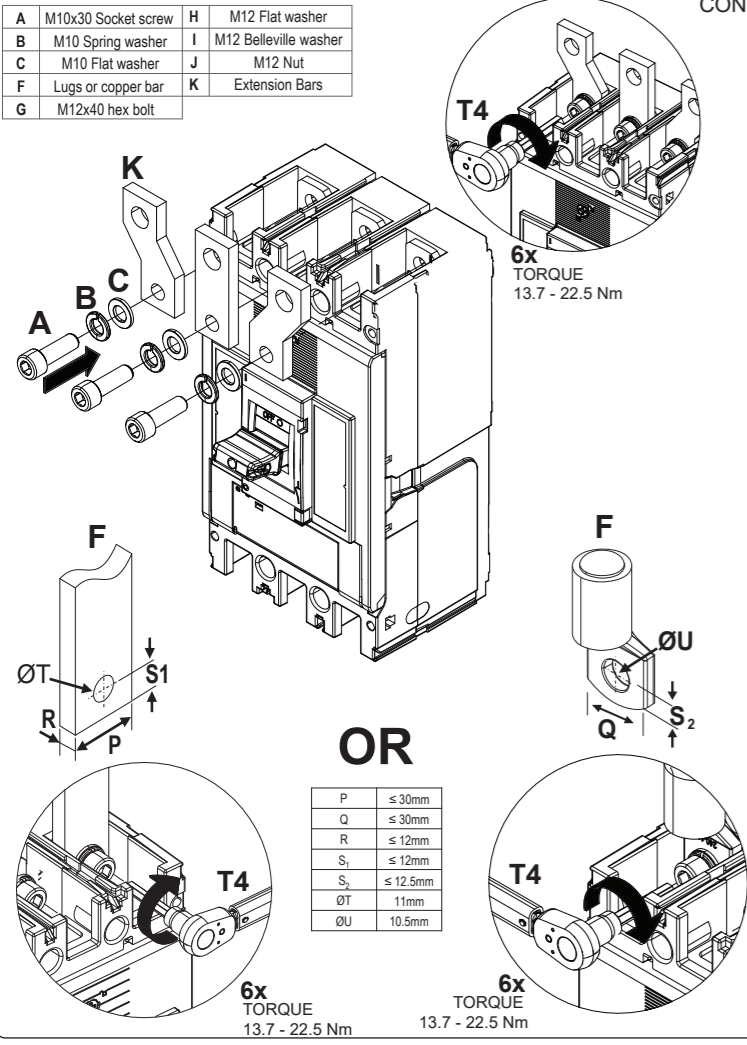
STEP 4.2 ALARM INSTALLATION

STEP 5 CLOSE MCCB COVER

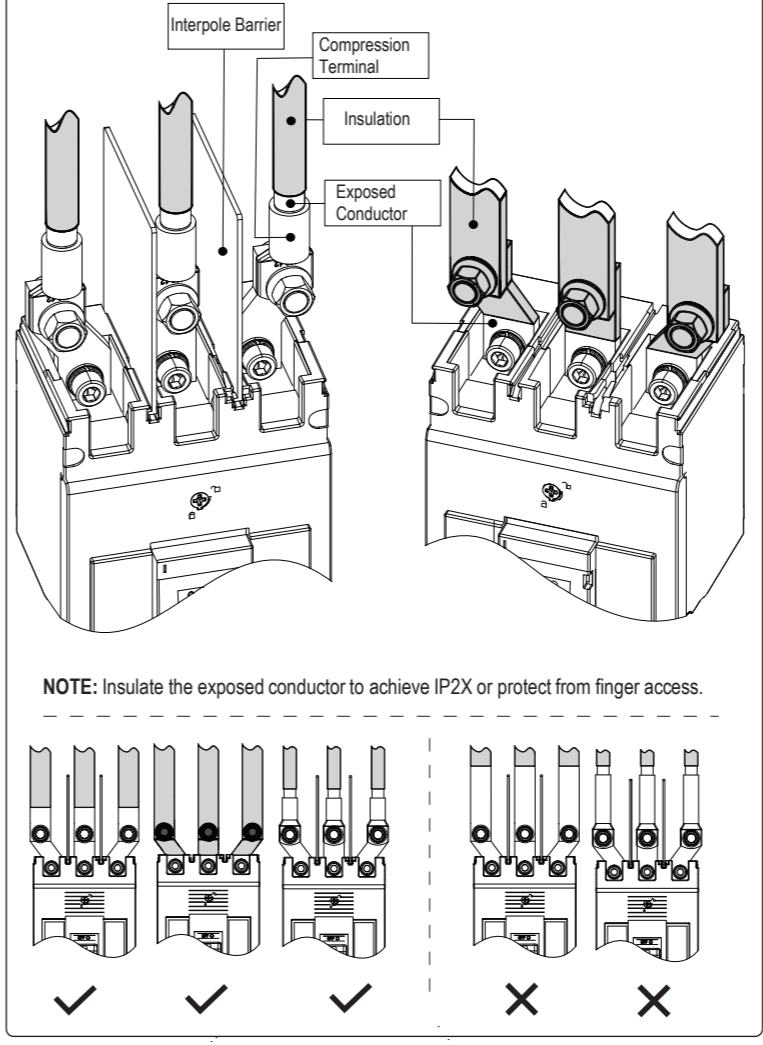
*For additional internal accessory installations, scan QR code and refer to user manual for more details

CONDUCTOR CONNECTION PROCEDURE -- FRONT CONNECTION -- EXTENSION BAR CONNECTION PROCEDURE

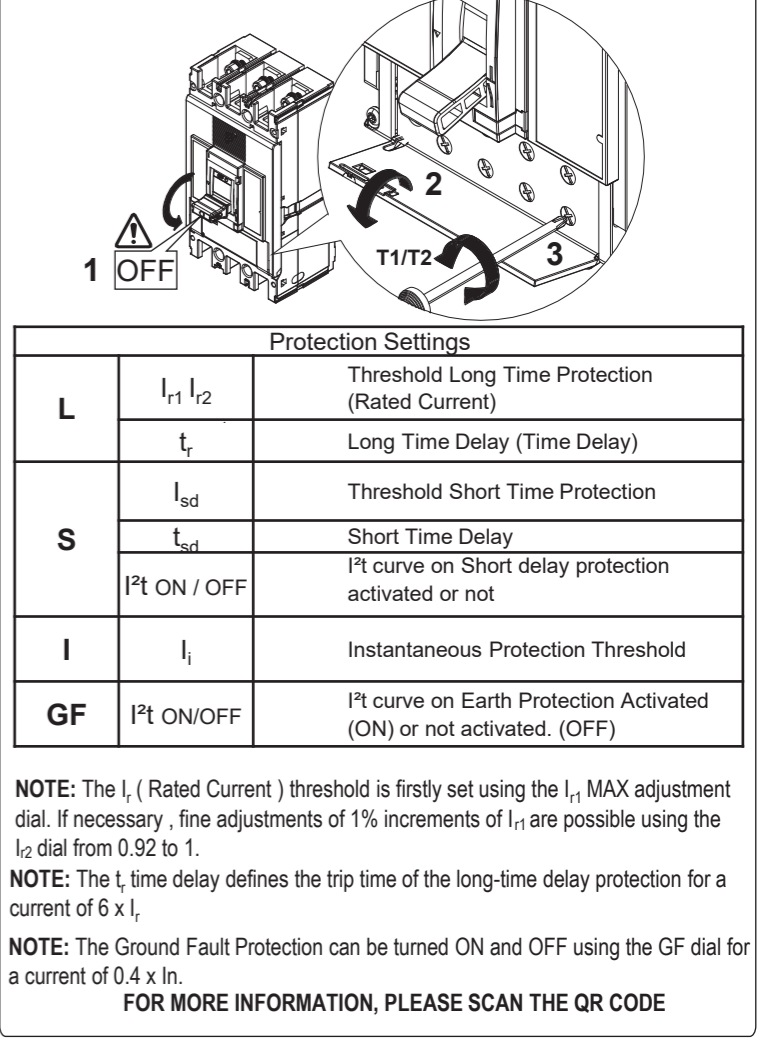
A	M10x30 Socket screw	H	M12 Flat washer
B	M10 Spring washer	I	M12 Belleville washer
C	M10 Flat washer	J	M12 Nut
F	Lugs or copper bar	K	Extension Bars
G	M12x40 hex bolt		



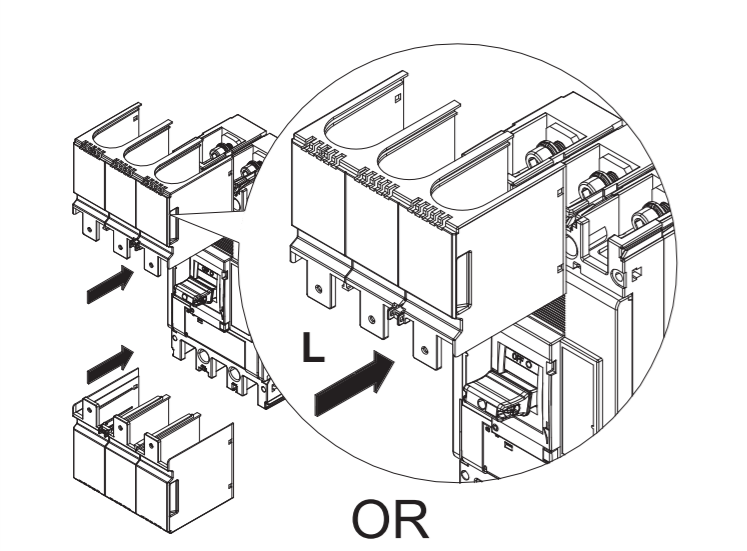
TOPSIDE INSULATION RECOMMENDATIONS - 415 / 440V AC



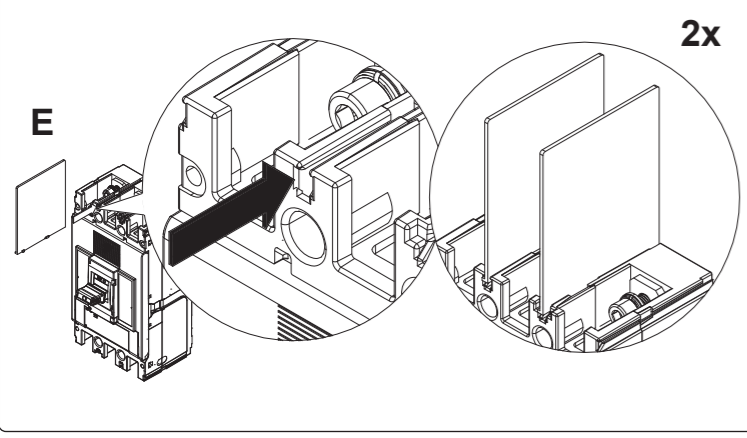
TRIP UNIT ADJUSTMENT PROCEDURE



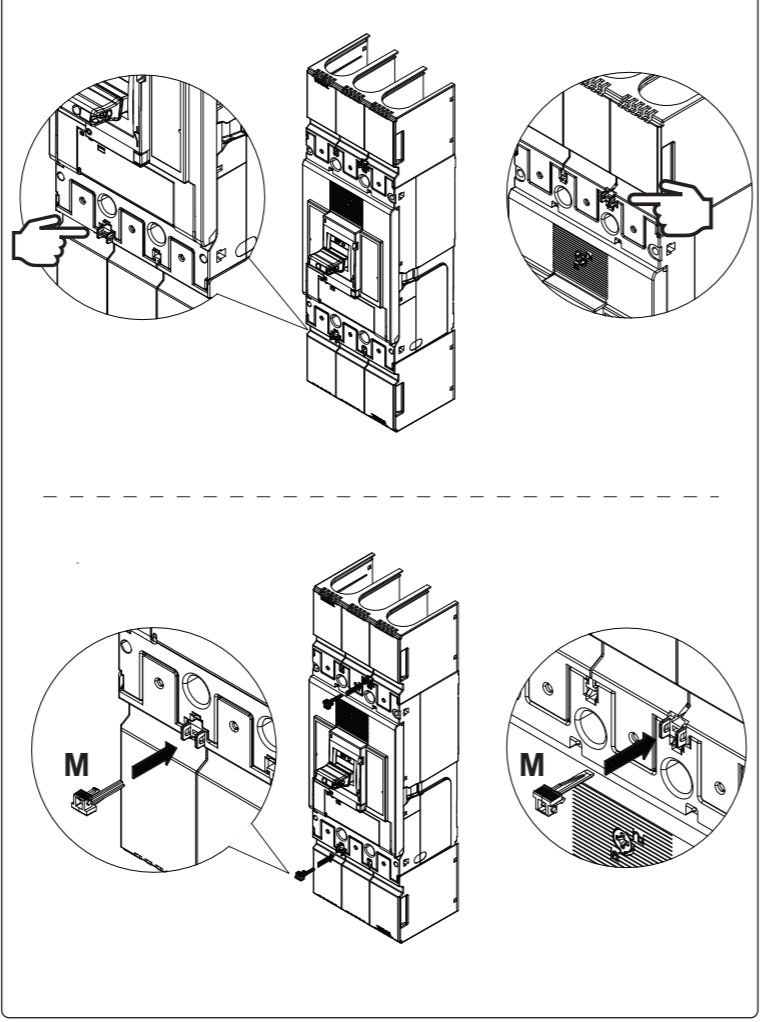
TERMINAL COVER



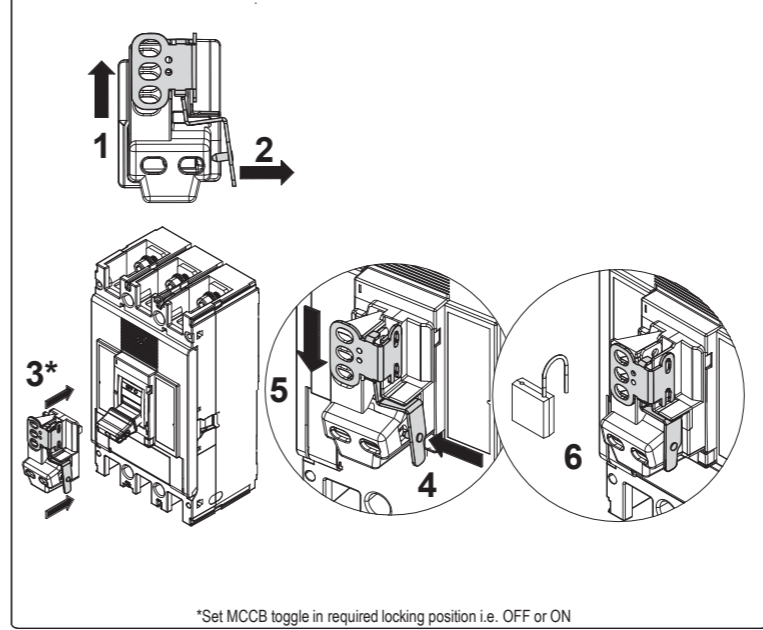
INTERPOLE BARRIER



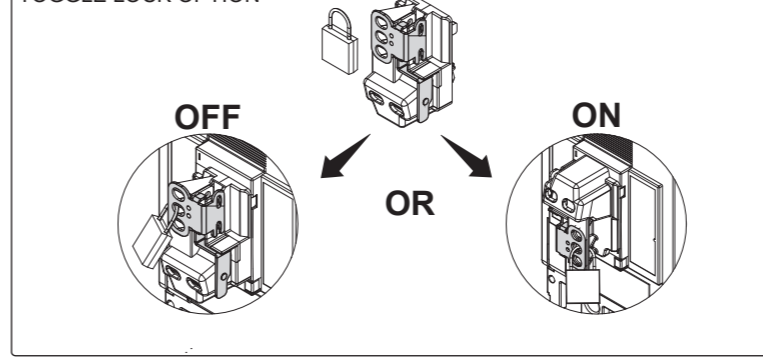
TERMINAL COVER LOCK



TOGGLE LOCK / PADLOCK ASSEMBLY PROCEDURE



TOGGLE LOCK OPTION



TIME CURRENT CHARACTERISTIC CURVE

