

## Removal instructions

1. Insert a small flat head screwdriver into the locking slot on the front of the unit (above LED and test switch, figure 1a).
2. Lift up the tab to unlock the bracket from the main unit. The unit is then free to slide out from the bracket and it can be lowered away from the bracket, allowing the 2 to separate.
3. The unit will automatically switch into emergency mode because it has been removed from the power supply. It will stay on emergency until such time as the battery cut-off threshold is reached or it is reconnected back onto the power supply, whichever happens first.
4. When the unit is reconnected to the supply, it will need time to recharge its battery before it will be capable of a full length discharge again. The ability of the unit to operate on emergency is determined by the age, charge level, operating temperature conditions and environmental circumstances of the battery in the unit.

## Testing precautions

Once the fitting is permanently connected to the mains supply, a commissioning discharge test as required in AS/NZS2293.2 must be carried out. You will need to allow 24 hours for the battery to fully charge prior to conducting this test, presently (at the time of writing), the standard requires that fittings operate in emergency mode for a period not less than 2 hours for their commissioning test and for not less than 90 minutes thereafter (it is required that 6 monthly discharge tests be carried out). You will need to keep the records for the commissioning test and enter them into the building emergency services logbook or via other recording methods as allowed by AS/NZS2293.2.

## Construction sites

Continuously switching of the mains power supply that is connected to emergency light fittings during the construction phase of an installation will cause these fittings to discharge and charge their batteries many times over a short period; this can shorten the life of the battery and will also result in shortened emergency lamp life. ABB does not recommend such practices and may not honour the warranty on batteries when they are subjected to such harsh operating conditions. Emergency light fittings are designed to be discharge tested once every 6 months as per AS/NZS2293.2, subjecting the product to repeated discharge or charge cycles is regarded as an abuse of the fittings.

## Trouble shooting guide

If you have installed and connected the unit as per the instructions listed earlier and it does not function correctly, use the following table as a guide to fixing the problem. Look up the type of fault in the left column and check the possible causes from the right column.

No.	Fault	Possible causes
1	LED light source and indicating LED not lit	AC supply not connected; or AC supply turned off; or Test switch damaged
2	LED light source is lit but indicating LED not lit	Test switch damaged; or Battery not connected or faulty
3	LED light source does not switch to emergency mode when the test button is pressed	Test switch damaged; or Battery not connected or faulty
4	LED light source works momentarily on emergency when the test button is pressed	Battery not yet charged (allow up to 24 hours)

If the unit still does not work after checking these possible causes, contact ABB service in Australia on 1800 222 435, Monday to Friday, 7.00am to 5.00pm (AEST) and ask for help. Our trained service personnel will usually be able to take your call immediately and assist you in resolving your difficulty. ABB is committed to providing valuable through-life support for its products.

## ABB Australia Pty Limited

Phone: 1800 222 435

E-mail: AU-ABB-Stanilite@abb.com

[www.stanilite.com.au](http://www.stanilite.com.au)

Copyright © 2016 ABB  
All rights reserved

## Installation manual

# Economy exit LED slide connect Standard

Doc no. 29-01106



This document covers	What's inside the box
Safety warning	Economy exit LED slide connect
Installation instructions	Pictograph insert pack
Removal instructions	Installation manual
Testing precautions	Warranty information
Trouble shooting guide	

## Congratulations

Congratulations on choosing to use this ABB product covered by our unique through-life support system. This document is designed to assist you during the installation of this product; for the safety of yourself and others **ABB recommends that you read this document thoroughly before commencing installation.** The fittings are designed for easy installation. They are advanced pieces of electronic equipment which, when treated with care and maintained through regular and appropriate servicing, will perform reliably for many years to come.

## Safety warning

In Australia and New Zealand, only licensed electricians are permitted by law to work with 240 volt electrical installations. Do not attempt to install or connect this product unless you are a licensed electrician. Turn off and isolate the electrical supply before connecting this fitting to the building wires. Do not touch the terminals of the terminal block when the light fitting is energised. The only user-serviceable parts are fluorescent or halogen lamp/s. LED light sources are not user-serviceable. Do not tamper with the fitting or the warranty will be void. As the installer, it is your responsibility to ensure compliance with all relevant building and safety codes, (ie: AS3000, AS/NZS2293). Refer to the applicable standards for data and mains cabling installation procedures and requirements.

**Important note:** This product is designed for indoor use only.

Stanilite®

Power and productivity  
for a better world™

**ABB**

## Installation instructions

1. Remove unit from the packing box and inspect it for damage or imperfections. If any damage is found, do not install the unit, but replace it carefully into the packing box and notify the ABB product support hotline in Australia on 1800 222 435.
2. If all looks okay, installation can proceed.
3. Insert a small flat head screwdriver into the locking slot on the front of the unit (above LED and test switch, figure 1a), lift up the locking tab to unlock the bracket from the main unit. The unit is then free to slide out from the bracket.
4. The economy exit LED slide connect can be installed either ceiling or wall mounted. Orient the bracket in such a way as to make the LED and push button readily visible and accessible when the unit is installed. Use the bracket as a template to mark the mounting holes and cable access position.
  - For ceiling mounted; knock out the cable access hole. Hold the bracket against the ceiling, mark 4 mounting holes and the cable access hole (figure 1b).
  - For wall mounted; drill 2 holes (Ø4 – Ø5mm) at the “V” shape feature in the back of the bracket (figure 1c and 1d) and knock out the cable access (figure 2). Hold the bracket against the wall, mark 2 mounting holes and the cable access hole.
5. Mount the bracket to the ceiling or wall using appropriate fixings (not supplied due to the wide variety of building construction materials).

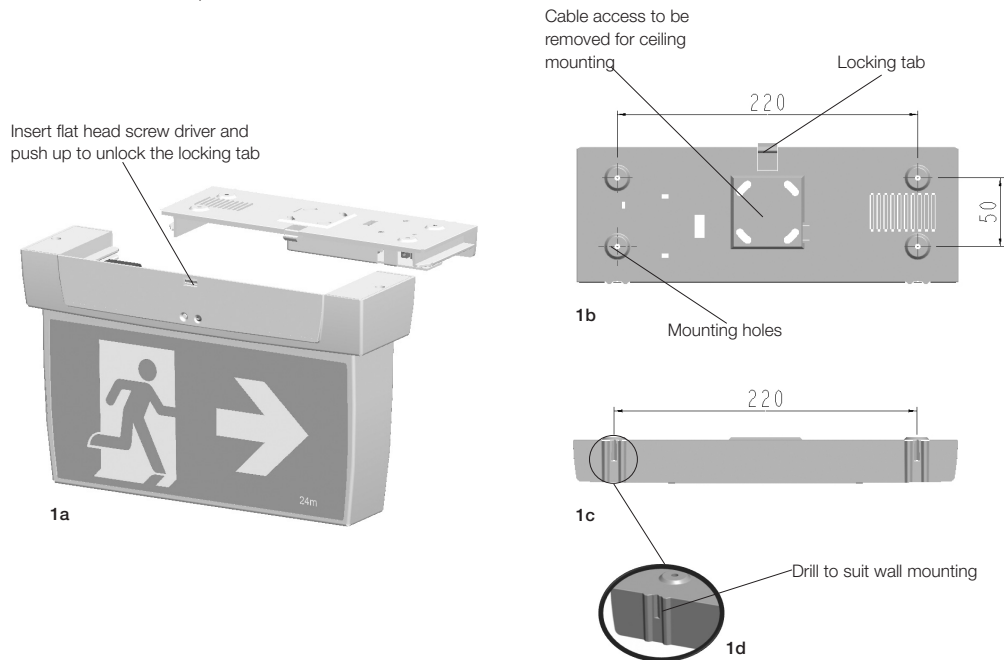


Figure 1: Mounting holes position for wall or ceiling mount

6. Run the cables in the ceiling or wall space as appropriate and through the cable access hole into the bracket. Strip 9mm insulation length, connect and terminate the cables as indicated in figure 2. Ensure that the double insulation of the cable/s passes completely into the terminal block enclosure so that no single insulation is exposed when the cover is in place. Be careful with multi-strand conductors that all of the strands are twisted together before insertion into the terminal. Any stray strands that inadvertently come into contact with their neighbouring terminal will cause undesirable results when the fitting is powered.
- Economy exit LED slide connect is designed for permanent illumination; connect incoming unswitched active, neutral and earth to terminal marked A, N and E respectively. When connected, replace the terminal block cover so that it clicks and locks into place.
7. Attach the exit unit to the bracket by aligning the sliding feature on both ends (figure 1a and 2). Once aligned, gently push the exit unit into the bracket to engage the mains connections and the locking tab. The economy exit LED slide connect is supplied standard with all options of pictograph inserts, ie: straight, left and right. Insert the appropriate pictograph onto the diffuser.

8. Once powered up, the normal AC LED light source will energise and remain lit until the power supply fails. The emergency function of the light fitting will only operate when the normal lighting power supply fails or when somebody presses the manual test button located on the front of the unit. Red LED indicates that the power is connected and the battery is charging.
9. Check the operation of the unit to ensure that the installation was successful. When powered up, allow a few minutes to give the battery a small charge, then press the manual test button located at the front face of the unit. Hold the test button in for a few seconds and observe the operation of the LED light source switching from mains to the emergency mode. If the LED light source on emergency mode works momentarily, that's okay. Try again in a few more minutes because if the battery was completely discharged, it may take a little time to charge up enough to operate even momentarily. After this time, press the test button again and if the LED light source does not work at all, check the supply, the connections and the trouble shooting guide at the end of this document.

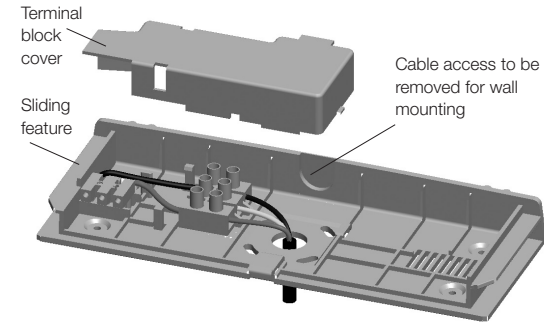


Figure 2: Terminal block connection diagram and internal view

## Cable entry knock out instructions

- Ceiling mount;

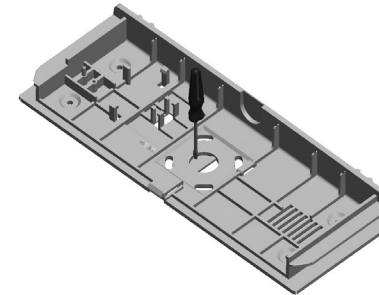


Figure 3a: Use screw driver to punch through the plastic

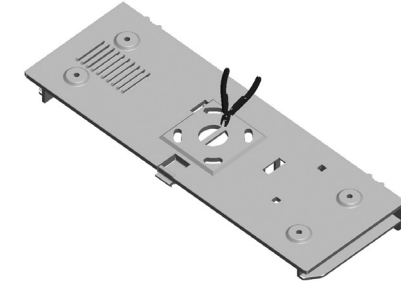


Figure 3b: Use wire cutter to cut the rib

- Wall mount;

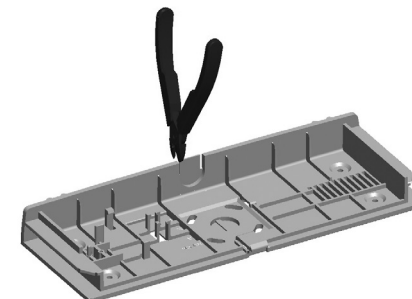


Figure 4a: Use wire cutter to cut around the edges

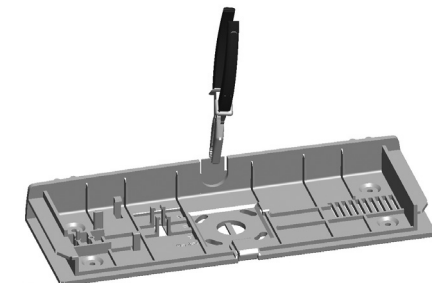


Figure 4b: Use pliers to remove the plastic