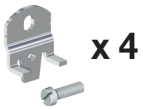
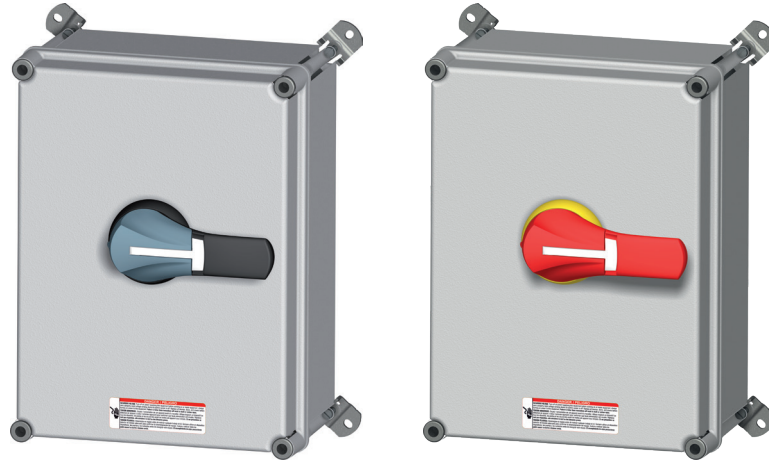




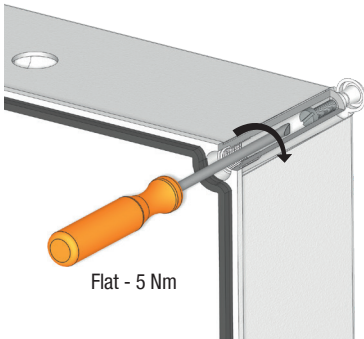
ENCLOSED LOAD BREAK SWITCH IP65 POLYESTER ENCLOSURE SIRCO



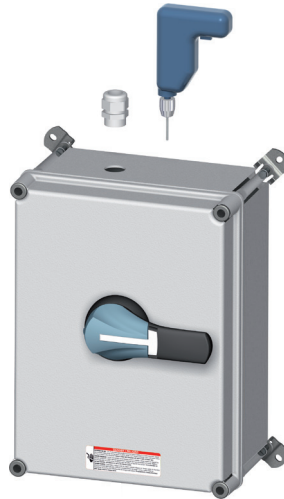
550097B



x 4

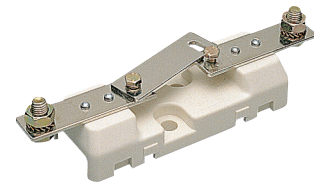


Flat - 5 Nm



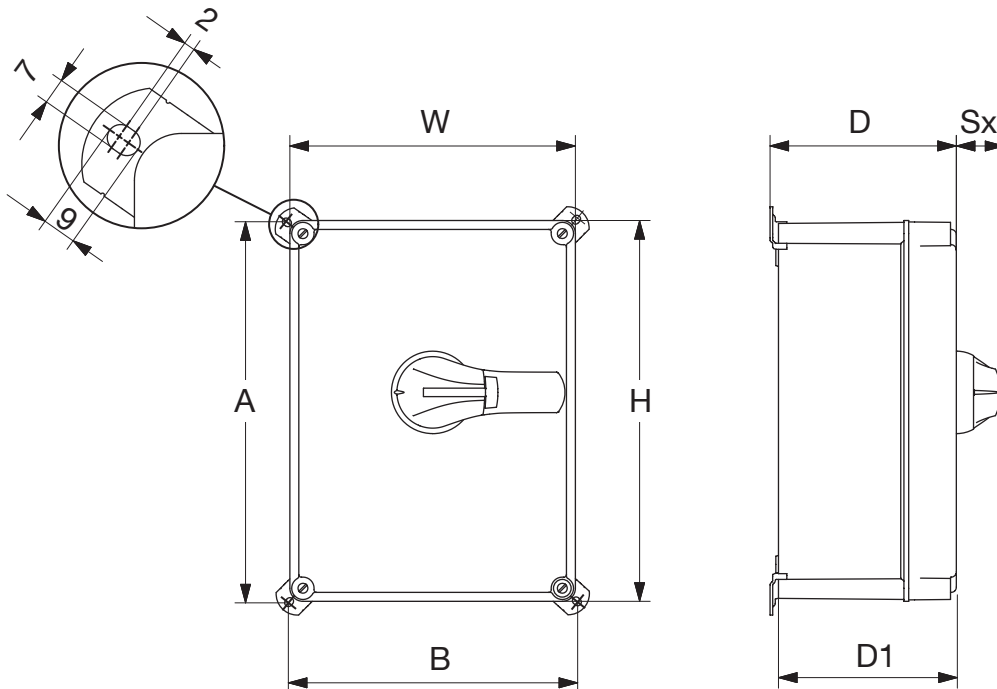
Do not drill the back of the enclosure. Please use suitable glands with IP rating equals or exceeds IP65.

DISCONNECTABLE NEUTRAL LINK ACCESSORY



	Reference	
160 A	NB16 0000	
250 A	NB25 0000	
	Torque min. (Nm)	Torque max. (Nm)
M8	8.3	13

Dimensions: mm



SIZE	H	W	D	D1	Sx	A	B
PEE3	360	270	176	171	45	362	272
PEE5	540	360	176	171	45	542	362

PEE CHARACTERISTICS ACCORDING TO IEC 60947-3

Thermal current I_{th} at 40°C		160 A	250 A
Frame size		B3	B4
Rated insulation voltage U_i (V)		800	800
Rated impulse withstand voltage U_{imp} (kV)		8	8
Rated operational currents I_e (A)			
Rated voltage	Utilisation category	A / B ⁽¹⁾	A / B ⁽¹⁾
415 VAC	AC-20 A / AC-20 B	160 / 160	250 / 250
415 VAC	AC-21 A / AC-21 B	160 / 160	250 / 250
415 VAC	AC-22 A / AC-22 B	160 / 160	250 / 250
415 VAC	AC-23 A / AC-23 B	160 / 160	250 / 250
220 VDC	DC-20 A / DC-20 B	160 / 160	250 / 250
220 VDC	DC-21 A / DC-21 B	160 / 160	250 / 250
220 VDC	DC-22 A / DC-22 B	160 / 160	250 / 250
220 VDC	DC-23 A / DC-23 B	125 / 125	200 / 200
440 VDC	DC-20 A / DC-20 B	160 / 160	250 / 250
440 VDC	DC-21 A / DC-21 B	160 ⁽³⁾ / 160 ⁽³⁾	200 ⁽³⁾ / 200 ⁽³⁾
440 VDC	DC-22 A / DC-22 B	125 ⁽³⁾ / 125 ⁽³⁾	200 ⁽³⁾ / 200 ⁽³⁾
440 VDC (4 pole only)	DC-23 A / DC-23 B	125 ⁽⁴⁾ / 125 ⁽⁴⁾	200 ⁽⁴⁾ / 200 ⁽⁴⁾
500 VDC	DC-20 A / DC-20 B	160 / 160	250 / 250
500 VDC	DC-21 A / DC-21 B	125 ⁽³⁾ / 125 ⁽³⁾	200 ⁽³⁾ / 200 ⁽³⁾
500 VDC (4 pole only)	DC-22 A / DC-22 B	125 ⁽⁴⁾ / 125 ⁽⁴⁾	200 ⁽⁴⁾ / 200 ⁽⁴⁾
500 VDC (4 pole only)	DC-23 A / DC-23 B	125 ⁽⁴⁾ / 125 ⁽⁴⁾	200 ⁽⁴⁾ / 200 ⁽⁴⁾
Operational power in AC-23 (kW) ⁽¹⁾⁽⁵⁾			
At 415 VAC without AC pre-break ⁽¹⁾		80 / 80	132 / 132
Reactive power (kvar)			
At 400 VAC (kvar) ⁽⁵⁾		75	115
gG DIN fuse protected short-circuit withstand (kA rms prospective) ⁽⁶⁾			
Prospective short-circuit current (kA rms)		100	50
Associated fuse rating (A)		160	250
Circuit breaker protected short-circuit withstand with any circuit breaker that ensures tripping in less than 0.3s			
Rated short-time withstand current 0.3s. I_{sw} (kA rms)		15	17
Short-circuit operation (switch only)			
Rated short-time withstand current I_{sw} 1s (kA rms)		7	9
Rated peak withstand current in I_{pk} (kA peak) ⁽⁶⁾⁽⁷⁾		20	30
Connection			
Minimum Cu cable cross-section (mm ²)		50	95
Maximum Cu cable cross-section (mm ²)		95	150
Tightening torque min/max (Nm)		9 / -	20 / -
Mechanical characteristics			
Durability (number of operating cycles)		10 000	10 000
Operating effort (Nm)		6.5	10
Weight of a 3-pole device (kg)		1.5	2
Weight of a 4-pole device (kg)		1.5	2
Degree of protection			
IP rating		IP65	
Disconnectable Neutral Link references			
160 A		NB16 0000	
250 A		NB25 0000	
Auxiliary Contact references			
1st AC		2699 0031	
2nd AC		2699 0032	
number of operations=30 000			
Terminal Shrouds references			
160 A - 3 P		2694 3014	
160 A - 4 P		2694 4014	
250 A - 3 P		2694 3021	
250 A - 4 P		2694 4021	

(1) Category with index A = frequent operation - Category with index B = infrequent operation.

(3) 3-pole device with 2 poles in series for the '+' and 1 pole for the '-'.
(4) 4-pole device with 2 poles in series per polarity.

(5) The power value is given for information only, the current values vary from one manufacturer to another.

(6) For a rated operational voltage $U_e = 415$ VAC.

(7) Coordination tables with circuit breaker: please consult us.