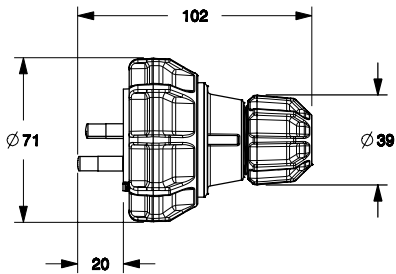
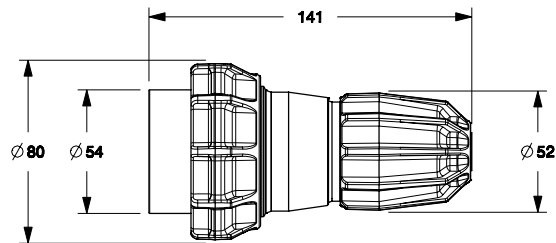


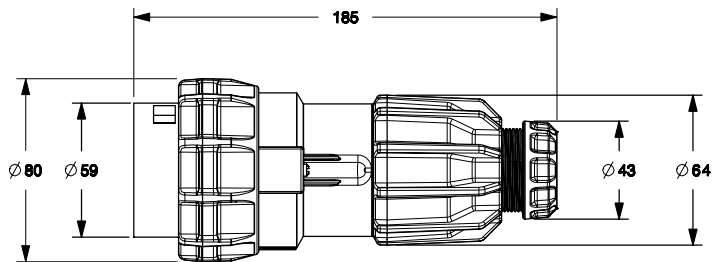
ISO PLUGS - Technical drawings



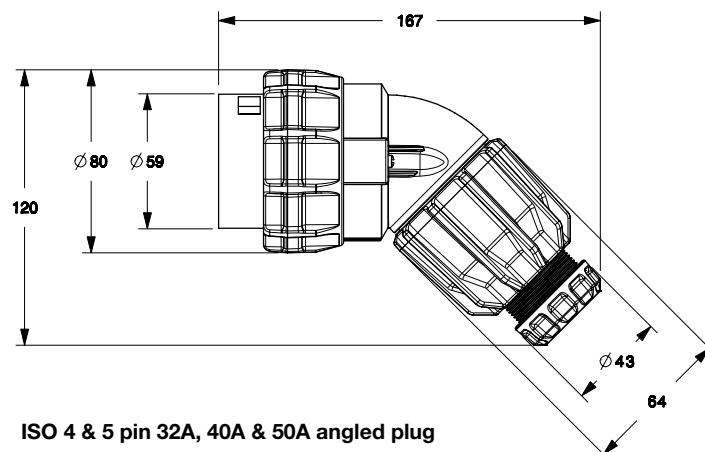
ISO single phase plug dimension



ISO 4 & 5 pin 10A & 20A straight plug



ISO 4 & 5 pin 32A, 40A & 50A straight plug



ISO 4 & 5 pin 32A, 40A & 50A angled plug