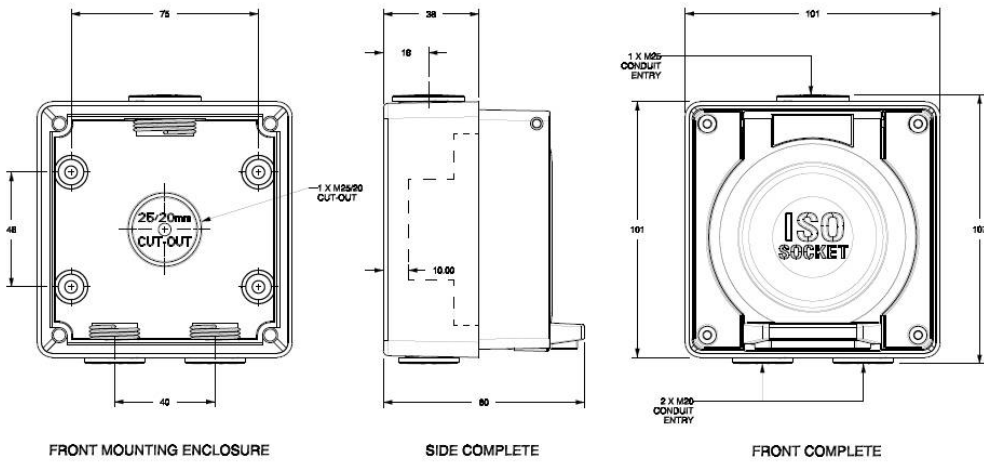
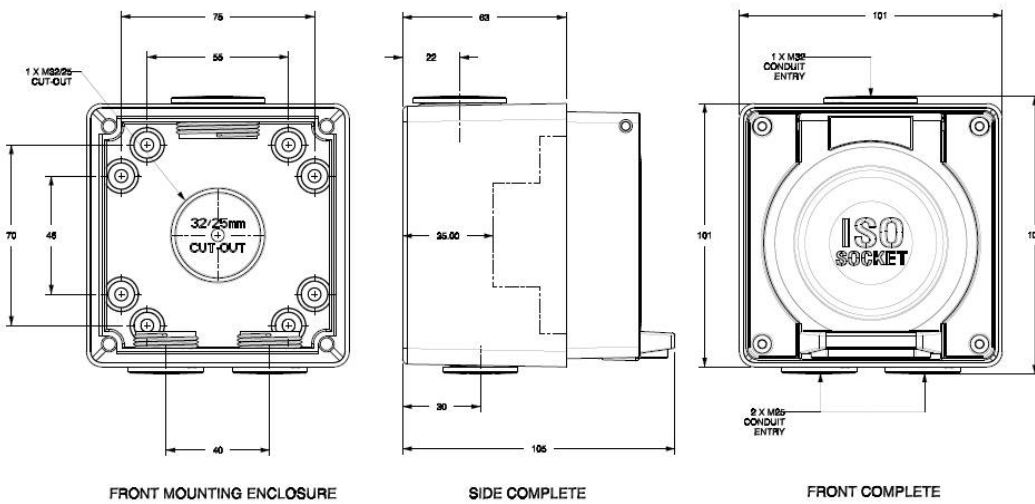


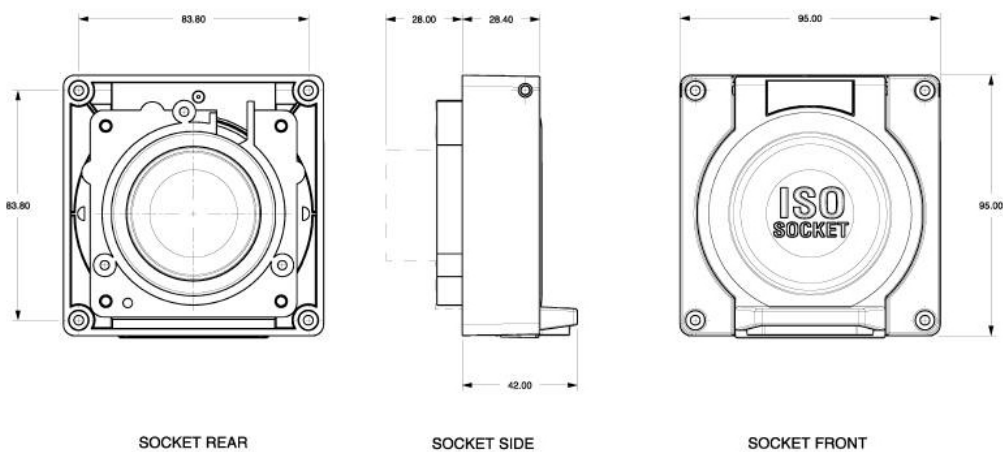
ISO OUTLETS - Technical drawings



ISO single phase outlet dimension including base



ISO 4 & 5 pin outlet dimension including base



ISO outlet dimension excluding base

Available from Authorised Electrical Wholesalers