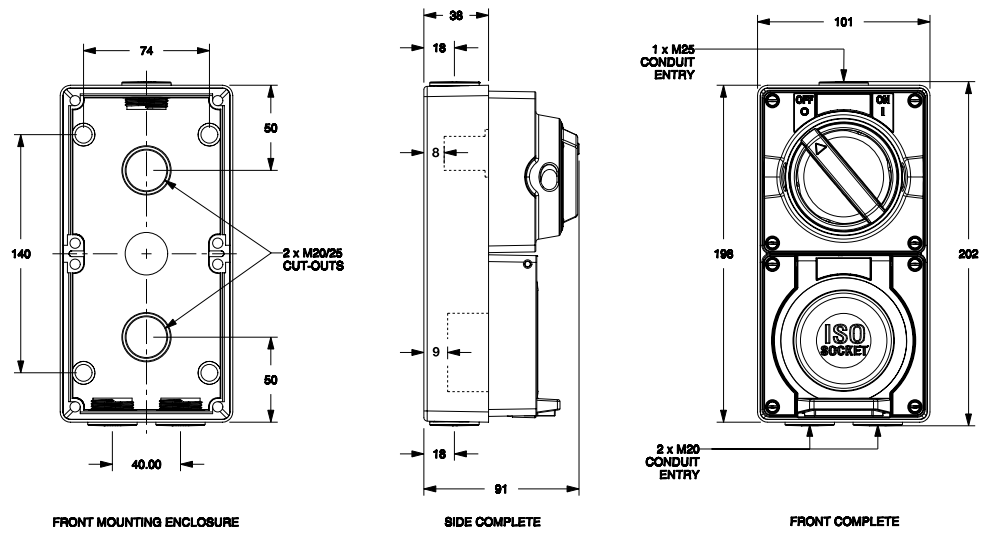
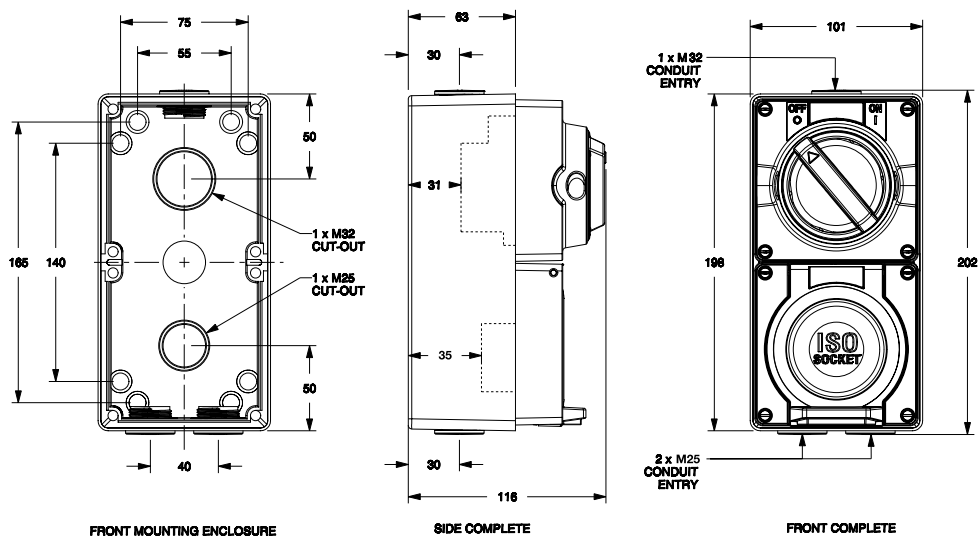


ISO SWITCHED SOCKETS - Technical drawings



ISO single phase socket dimension



ISO 4 & 5 pin socket dimension

