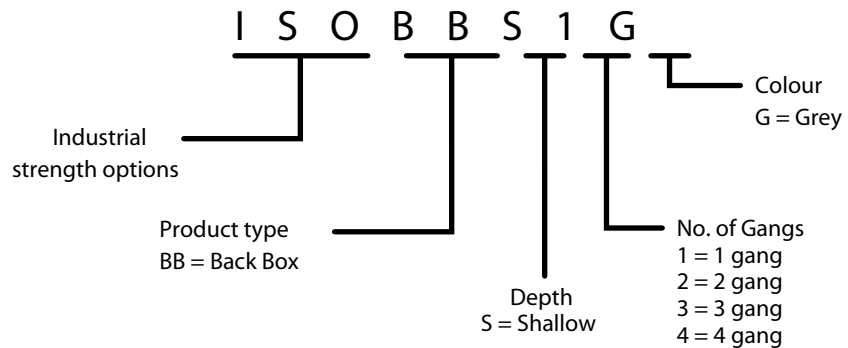


ISO BACK BOXES - Part numbers

Catalogue number configuration



BACK BOXES (with dividers) - PVC

Size	Depth	Dimensions (WxHxD)	Cat. No.
1 gang	Shallow	101 x 101 x 38	ISOBBS1G
1 gang	Standard	101 x 101 x 63	ISOBB1G
2 gang	Shallow	198 x 101 x 38	ISOBBS2G
2 gang	Standard	198 x 101 x 63	ISOBB2G
3 gang	Standard	294 x 101 x 63	ISOBB3G
4 gang	Standard	198 x 198 x 63	ISOBB4G

LIDS (for back boxes) - Polycarbonate

Size	Dimensions (WxHxD)	Cat. No.
1 gang	101 x 101 x 38	ISOBBL1 G
2 gang	198 x 101 x 38	ISOBBL2 G

Available from Authorised Electrical Wholesalers