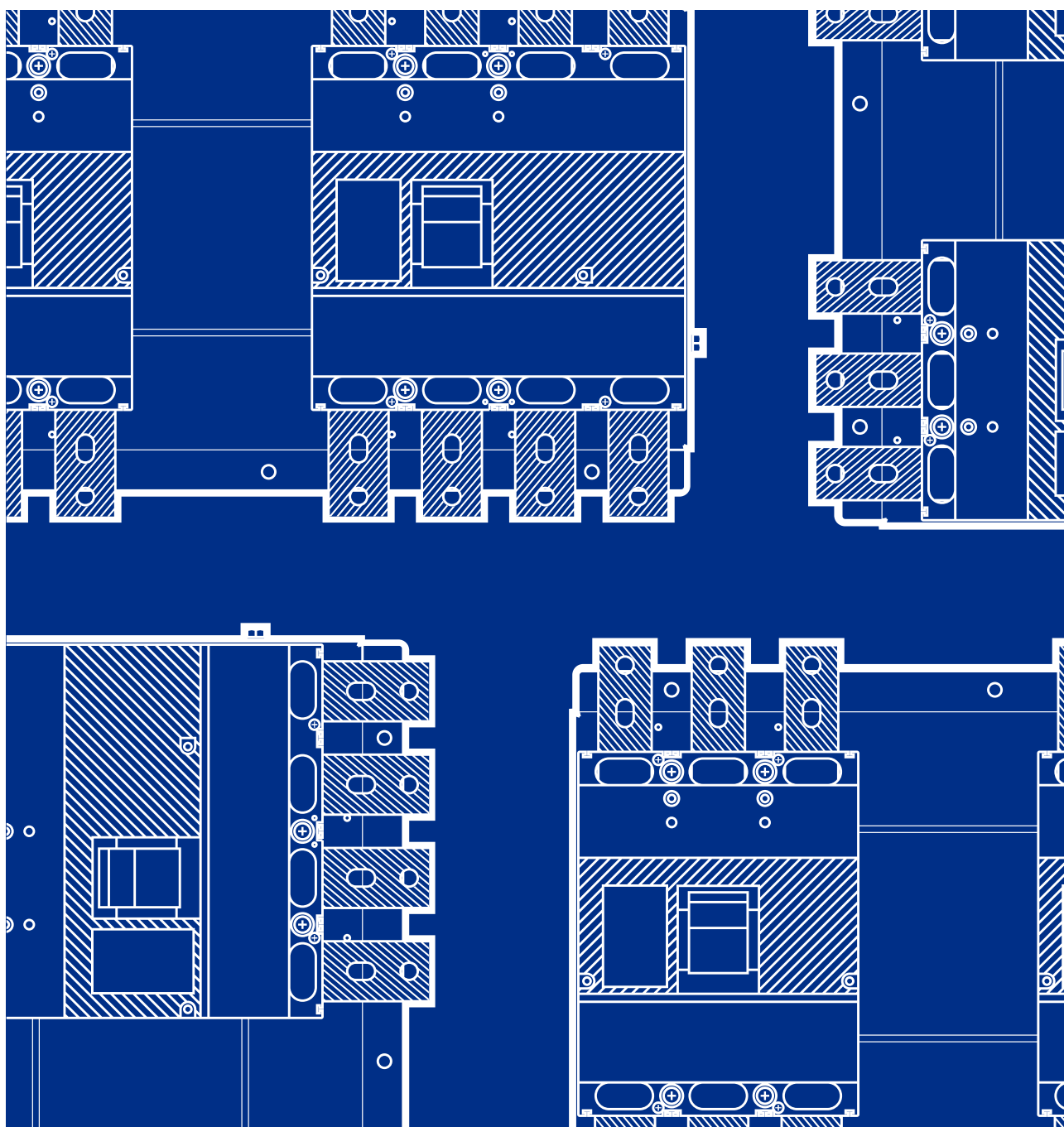
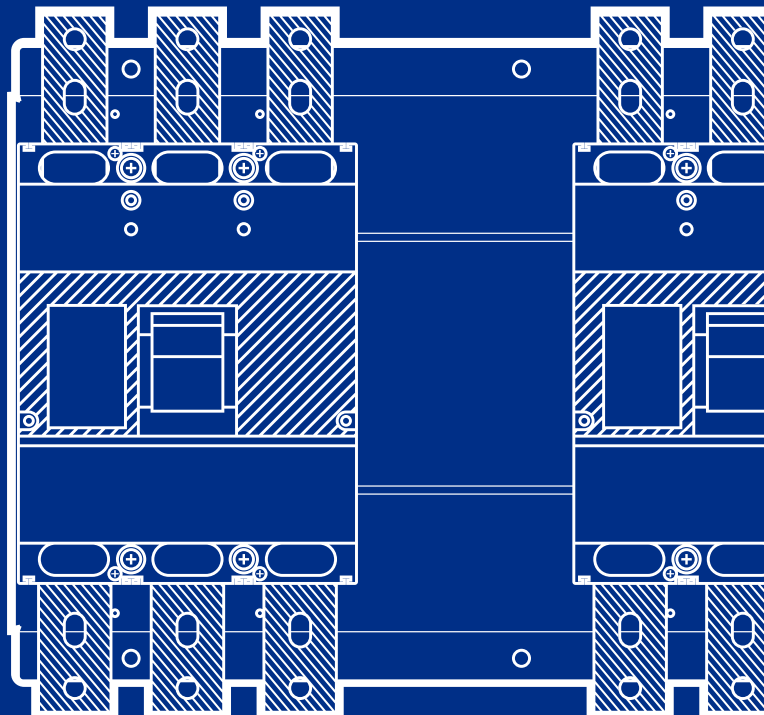
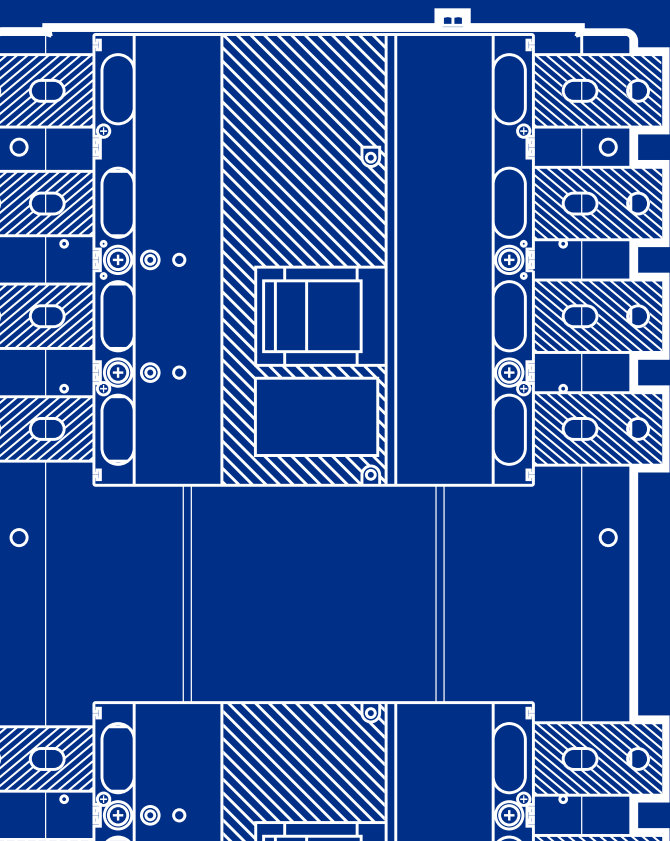
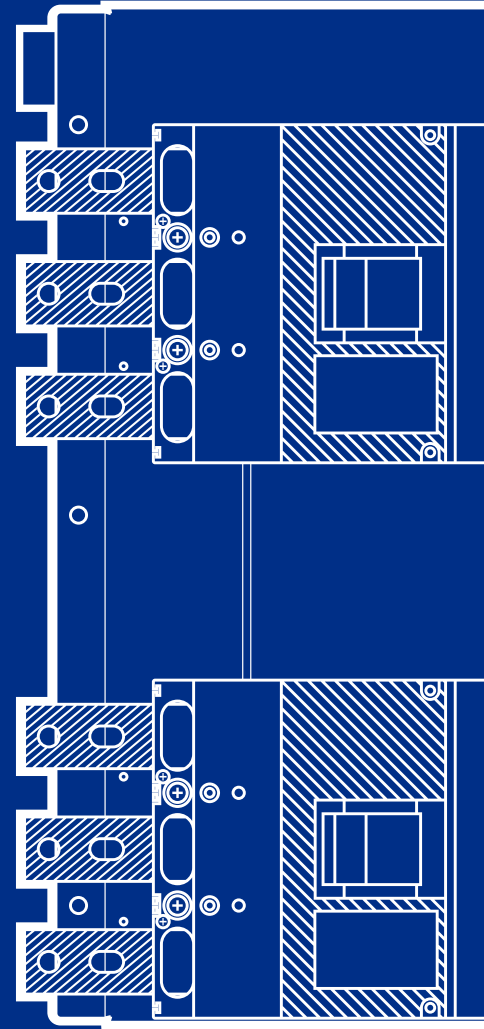
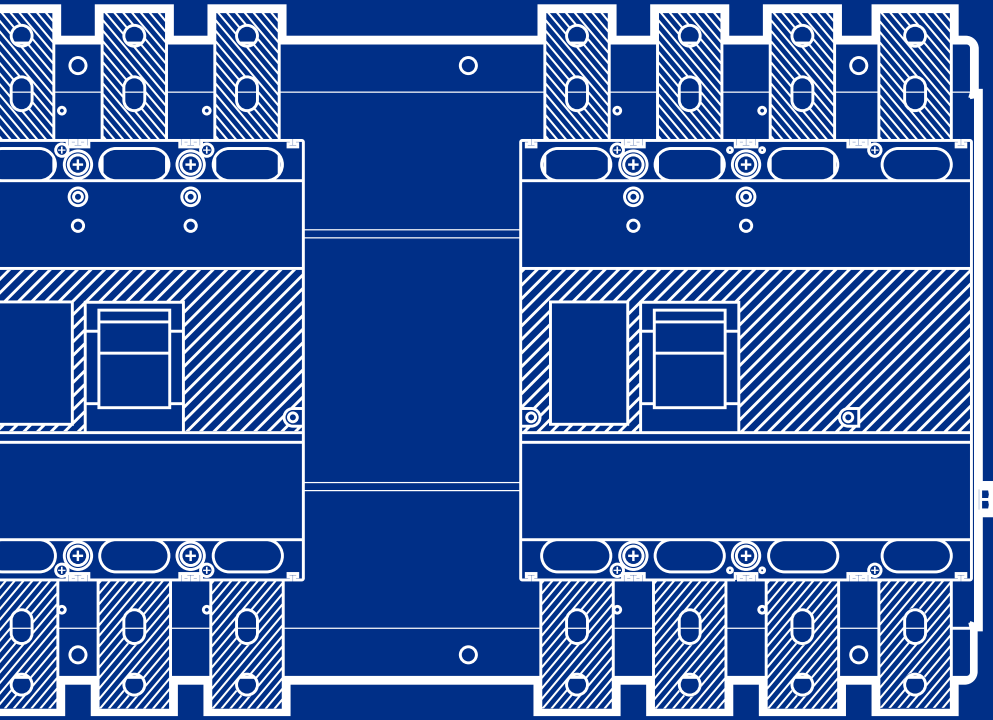
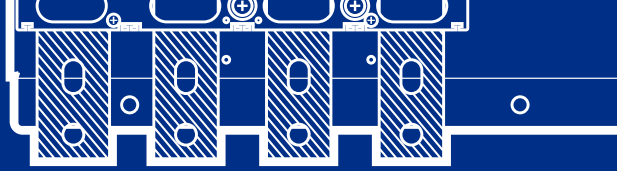
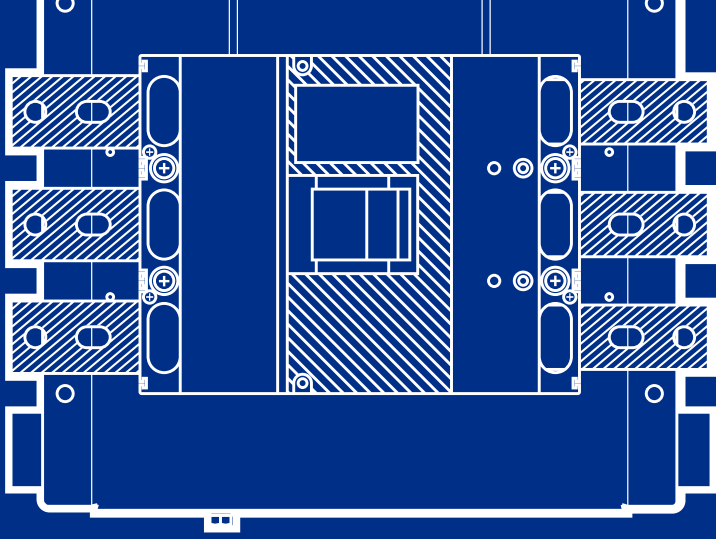


MCCB Transfer Switches

TemBreak PRO



MCCB Transfer Switch Ordering Guide



Index

Terasaki MCCB Transfer Switches

Manual Transfer Switches (MTS)

Manual transfer switches 3P+3P and 4P+4P types	4
Manual transfer switches 3P+4P and 4P+3P types	5
Manual transfer switches Non Auto Isolator MCCB based 3P+3P and 4P+4P types	6
Manual transfer switches Non Auto Isolator MCCB based 3P+4P and 4P+3P types	6

Basic Transfer Switches (BTS)

Basic transfer switches (motorised) 3P+3P and 4P+4P types	7
Basic transfer switches (motorised) 3P+4P and 4P+3P types	8
Basic transfer switches Non Auto Isolator MCCB based (motorised) 3P+3P and 4P+4P types	9
Basic transfer switches Non Auto Isolator MCCB based (motorised) 3P+4P and 4P+3P types	9

Automatic Transfer Switch Controllers

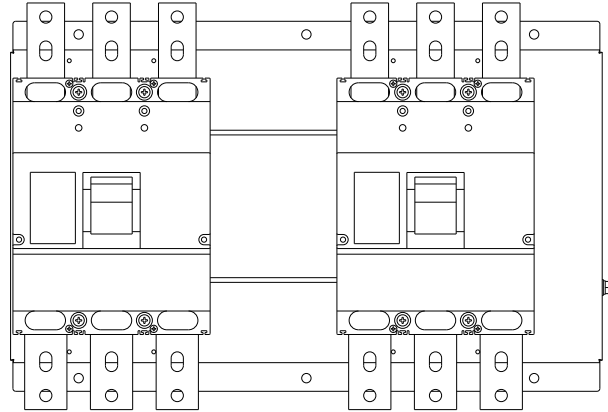
ATyS C55 Door Mount electronic controller for standard applications	10
ATyS C65 Door Mount electronic controller for current and energy, 2 source bus-tie control and other advanced applications	10

Manual Transfer Switches (MTS)

3P+3P and 4P+4P types

Features:

- MTS sizes 160 A to 3200 A
- MCCBs with overload protection
- 3 or 4 pole MCCBs
- Mechanically interlocked MCCB
- No internal accessories installed, no wiring
- Accepts handles and other front mount accessories
- MTS to 1000 A can be user assembled from ordered components or factory assembled using catalogue numbers below



MTS MCCBs with overload protection - selection chart and Catalogue numbers

MCCBs used	Ampere Range	Interrupting Capacity kA @ 415 V AC		OCR Type ¹⁾	3P/3P and 4P/4P Outline Dims (mm)			3 Pole – 3 Pole MTS Cat No.	4 Pole – 4 Pole MTS Cat No.
		I _{cu}	I _{cs}		H ²⁾	W	D ²⁾		
P160F_TM	100 – 160			TM					
P160F_BE	64 – 160	36	36	BE	208	311	90	MTSP160F160TM33	MTSP160F160TM44
P160F_SE	64 – 160			SE				MTSP160F160BE33	MTSP160F160BE44
P160N_TM	100 – 160			TM				MTSP160F160SE33	MTSP160F160SE44
P160N_BE	64 – 160	50	50	BE	208	311	90	MTSP160N160TM33	MTSP160N160TM44
P160N_SE	64 – 160			SE				MTSP160N160BE33	MTSP160N160BE44
P160H_TM	100 – 160			TM				MTSP160N160SE33	MTSP160N160SE44
P160H_BE	64 – 160	70	70	BE	208	311	90	MTSP160H160TM33	MTSP160H160TM44
P160H_SE	64 – 160			SE				MTSP160H160BE33	MTSP160H160BE44
P250F_TM	160 – 250			TM				MTSP160H160SE33	MTSP160H160SE44
P250F_BE	100 – 250	36	36	BE	235	340	90	MTSP250F250TM33	MTSP250F250TM44
P250F_SE	100 – 250			SE				MTSP250F250BE33	MTSP250F250BE44
P250N_TM	160 – 250			TM				MTSP250F250SE33	MTSP250F250SE44
P250N_BE	100 – 250	50	50	BE	235	340	90	MTSP250N250TM33	MTSP250N250TM44
P250N_SE	100 – 250			SE				MTSP250N250BE33	MTSP250N250BE44
P250H_TM	160 – 250			TM				MTSP250N250SE33	MTSP250N250SE44
P250H_BE	100 – 250	70	70	BE	235	340	90	MTSP250H250TM33	MTSP250H250TM44
P250H_SE	100 – 250			SE				MTSP250H250BE33	MTSP250H250BE44
P400F_TM	250 – 400			TM				MTSP250H250SE33	MTSP250H250SE44
P400F_BE	160 – 400	36	36	BE	360	460	153	MTSP400F400TM33	MTSP400F400TM44
P400F_SE	160 – 400			SE				MTSP400F400BE33	MTSP400F400BE44
P400N_TM	250 – 400			TM				MTSP400F400SE33	MTSP400F400SE44
P400N_BE	160 – 400	50	50	BE	360	460	153	MTSP400N400TM33	MTSP400N400TM44
P400N_SE	160 – 400			SE				MTSP400N400BE33	MTSP400N400BE44
P400H_TM	250 – 400			TM				MTSP400N400SE33	MTSP400N400SE44
P400H_BE	160 – 400	70	70	BE	360	460	153	MTSP400H400TM33	MTSP400H400TM44
P400H_SE	160 – 400			SE				MTSP400H400BE33	MTSP400H400BE44
P630F_TM	396 – 630			TM				MTSP400H400SE33	MTSP400H400SE44
P630F_BE	252 – 630	36	36	BE	360	460	153	MTSP630F630TM33	MTSP630F630TM44
P630F_SE	252 – 630			SE				MTSP630F630BE33	MTSP630F630BE44
P630N_TM	396 – 630			TM				MTSP630F630SE33	MTSP630F630SE44
P630N_BE	252 – 630	50	50	BE	360	460	153	MTSP630N630TM33	MTSP630N630TM44
P630N_SE	252 – 630			SE				MTSP630N630BE33	MTSP630N630BE44
P630H_TM	396 – 630			TM				MTSP630N630SE33	MTSP630N630SE44
P630H_BE	252 – 630	70	70	BE	360	460	153	MTSP630H630TM33	MTSP630H630TM44
P630H_SE	252 – 630			SE				MTSP630H630BE33	MTSP630H630BE44
B800N_TM	396 – 630			TM				MTSP630H630SE33	MTSP630H630SE44
B800N_BE	504 – 800	50	50	BE				MTSB800N630TM33	MTSB800N630TM44
B800H_TM	396 – 630			TM				MTSB800N800TM33	MTSB800N800TM44
B800H_BE	504 – 800	70	70	BE				MTSB800H630TM33	MTSB800H630TM44
B800N_SE	252 – 630			SE				MTSB800H800TM33	MTSB800H800TM44
B800N_BE	320 – 800	50	50	BE	394	630	170	MTSB800N630BE33	MTSB800N630BE44
B800H_BE	252 – 630			SE				MTSB800N800BE33	MTSB800N800BE44
B800H_SE	320 – 800	70	70	SE				MTSB800H630BE33	MTSB800H630BE44
B1000N	400 – 1000	50	38	BE				MTSB800H800BE33	MTSB800H800BE44
B1000H	400 – 1000	70	50	BE				MTSB1000N1000BE33	MTSB1000N1000BE44
B1250N	500 – 1250	50	38	BE				MTSB1000HL1000BE33	MTSB1000HL1000BE44
B1250HL	500 – 1250	85	65	BE	490	650	171	MTSB1250N1250BE33	MTSB1250N1250BE44
B1600N	640 – 1600	50	38	BE				MTSB1250HL1250BE33	MTSB1250HL1250BE44
B1600HL	640 – 1600	85	65	BE	490	650	194	MTSB1600N1600BE33	MTSB1600N1600BE44
XS2000HL	1000 – 2000							MTSB1600HL1600BE33	MTSB1600HL1600BE44
XS2500HL	1250 – 2500	85	64	BE	774	450	361	MTSXS2000HL2000BE33	MTSXS2000HL2000BE44
XS3200HL	1600 – 3200							MTSXS2500HL2500BE33	MTSXS2500HL2500BE44
								MTSXS3200HL3200BE33	-

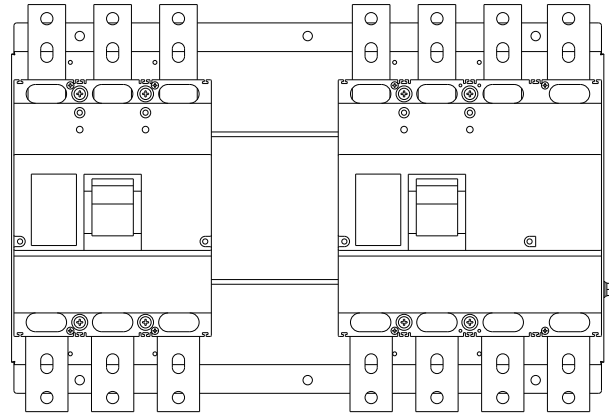
Notes:

- 1) TM = Thermal Magnetic, BE = Basic Electronic Trip Unit, SE = SMART Electronic Trip Unit.
- 2) Depth dimension D does not include toggle length, and H dimension does not include attached busbars or rear connect busbars, if fitted.

3P+4P and 4P+3P types

Features:

- Combinations of 3 and 4 pole MCCBs
- MTS sizes 160 A to 2500 A
- MCCBs with overload protection
- Mechanically interlocked MCCB
- No internal accessories installed, no wiring
- Accepts handles and other front mount accessories
- MTS sizes up to 1000 A can be user assembled from ordered components using front mount interlocks, or alternatively all sizes can be factory assembled using the catalogue numbers below



MTS MCCBs with overload protection - selection chart and Catalogue numbers

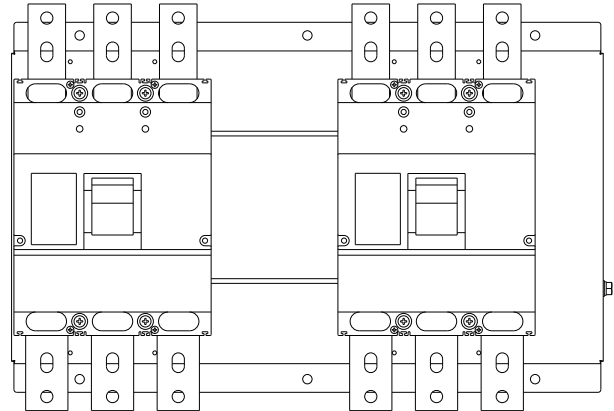
MCCBs used	Ampere Range	Interrupting Capacity kA @ 415 V AC		OCR Type ¹⁾	3 Pole – 4 Pole BTS Outline Dims (mm)			3 Pole – 4 Pole MTS Cat No.	4 Pole – 3 Pole MTS Cat No.			
		I _{cu}	I _{cs}		H ²⁾	W	D ²⁾					
P160F_TM	100 – 160	36	36	TM	208	311	90	MTSP160F160TM34	MTSP160F160TM43			
P160F_BE	64 – 160									BE	MTSP160F160BE34	MTSP160F160BE43
P160F_SE	64 – 160									SE	MTSP160F160SE34	MTSP160F160SE43
P160N_TM	100 – 160	50	50	TM	208	311	90	MTSP160N160TM34	MTSP160N160TM43			
P160N_BE	64 – 160									BE	MTSP160N160BE34	MTSP160N160BE43
P160N_SE	64 – 160									SE	MTSP160N160SE34	MTSP160N160SE43
P160H_TM	100 – 160	70	70	TM	208	311	90	MTSP160H160TM34	MTSP160H160TM43			
P160H_BE	64 – 160									BE	MTSP160H160BE34	MTSP160H160BE43
P160H_SE	64 – 160									SE	MTSP160H160SE34	MTSP160H160SE43
P250F_TM	160 – 250	36	36	TM	235	340	90	MTSP250F250TM34	MTSP250F250TM43			
P250F_BE	100 – 250									BE	MTSP250F250BE34	MTSP250F250BE43
P250F_SE	100 – 250									SE	MTSP250F250SE34	MTSP250F250SE43
P250N_TM	160 – 250	50	50	TM	235	340	90	MTSP250N250TM34	MTSP250N250TM43			
P250N_BE	100 – 250									BE	MTSP250N250BE34	MTSP250N250BE43
P250N_SE	100 – 250									SE	MTSP250N250SE34	MTSP250N250SE43
P250H_TM	160 – 250	70	70	TM	235	340	90	MTSP250H250TM34	MTSP250H250TM43			
P250H_BE	100 – 250									BE	MTSP250H250BE34	MTSP250H250BE43
P250H_SE	100 – 250									SE	MTSP250H250SE34	MTSP250H250SE43
P400F_TM	250 – 400	36	36	TM	360	460	153	MTSP400F400TM34	MTSP400F400TM43			
P400F_BE	160 – 400									BE	MTSP400F400BE34	MTSP400F400BE43
P400F_SE	160 – 400									SE	MTSP400F400SE34	MTSP400F400SE43
P400N_TM	250 – 400	50	50	TM	360	460	153	MTSP400N400TM34	MTSP400N400TM43			
P400N_BE	160 – 400									BE	MTSP400N400BE34	MTSP400N400BE43
P400N_SE	160 – 400									SE	MTSP400N400SE34	MTSP400N400SE43
P400H_TM	250 – 400	70	70	TM	360	460	153	MTSP400H400TM34	MTSP400H400TM43			
P400H_BE	160 – 400									BE	MTSP400H400BE34	MTSP400H400BE43
P400H_SE	160 – 400									SE	MTSP400H400SE34	MTSP400H400SE43
P630F_TM	396 – 630	36	36	TM	360	460	153	MTSP630F630TM34	MTSP630F630TM43			
P630F_BE	252 – 630									BE	MTSP630F630BE34	MTSP630F630BE43
P630F_SE	252 – 630									SE	MTSP630F630SE34	MTSP630F630SE43
P630N_TM	396 – 630	50	50	TM	360	460	153	MTSP630N630TM34	MTSP630N630TM43			
P630N_BE	252 – 630									BE	MTSP630N630BE34	MTSP630N630BE43
P630N_SE	252 – 630									SE	MTSP630N630SE34	MTSP630N630SE43
P630H_TM	396 – 630	70	70	TM	360	460	153	MTSP630H630TM34	MTSP630H630TM43			
P630H_BE	252 – 630									BE	MTSP630H630BE34	MTSP630H630BE43
P630H_SE	252 – 630									SE	MTSP630H630SE34	MTSP630H630SE43
B800N_TM	396 – 630	50	50	TM	394	630	170	MTSB800N630TM34	MTSB800N630TM43			
B800N_BE	504 – 800									BE	MTSB800N630BE34	MTSB800N630BE43
B800N_SE	504 – 800									SE	MTSB800N630SE34	MTSB800N630SE43
B800H_TM	396 – 630	70	70	TM	394	630	170	MTSB800H630TM34	MTSB800H630TM43			
B800H_BE	504 – 800									BE	MTSB800H630BE34	MTSB800H630BE43
B800H_SE	504 – 800									SE	MTSB800H630SE34	MTSB800H630SE43
B800N_TM	252 – 630	50	50	TM	394	630	170	MTSB800N630TM34	MTSB800N630TM43			
B800N_BE	320 – 800									BE	MTSB800N630BE34	MTSB800N630BE43
B800N_SE	320 – 800									SE	MTSB800N630SE34	MTSB800N630SE43
B800H_TM	252 – 630	70	70	TM	394	630	170	MTSB800H630TM34	MTSB800H630TM43			
B800H_BE	320 – 800									BE	MTSB800H630BE34	MTSB800H630BE43
B800H_SE	320 – 800									SE	MTSB800H630SE34	MTSB800H630SE43
B1000N	400 – 1000	50	38	BE	394	630	170	MTSB1000N1000BE34	MTSB1000N1000BE43			
B1000H	400 – 1000	70	50									
B1250N	500 – 1250	50	38	BE	490	650	171	MTSB1250N1250BE34	MTSB1250N1250BE43			
B1250HL	500 – 1250	85	65									
B1600N	640 – 1600	50	38	BE	490	650	194	MTSB1600N1600BE34	MTSB1600N1600BE43			
B1600HL	640 – 1600	85	65									
XS2000HL	1000 – 2000	85	64	BE	774	450	361	MTSXS2000HL2000BE34	MTSXS2000HL2000BE43			
XS2500HL	1250 – 2500									MTSXS2500HL2500BE34	MTSXS2500HL2500BE43	

Notes: 1) TM = Thermal Magnetic, BE = Basic Electronic Trip Unit, SE = SMART Electronic Trip Unit.
2) Depth dimension D does not include toggle length, and H dimension does not include attached busbars or rear connect busbars, if fitted.

Non Auto Isolator MCCB based 3P+3P and 4P+4P types

Features:

- MTS sizes 160 A to 2500 A
- MCCB Non Auto Switch Disconnectors – no overload protection
- 3P/3P or 4P/4P pole Non Auto MCCB pairs
- Mechanically interlocked Non Auto Switch Disconnectors
- No internal accessories installed, no wiring
- Accepts handles and other front mount accessories
- MTS to 1000 A can be user assembled from ordered components or factory assembled via catalogue numbers below



MTS Non Auto Switch Disconnectors (no overload protection) selection chart and Catalogue numbers

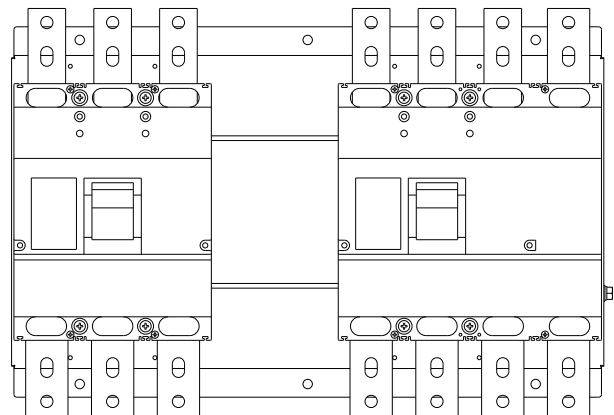
MCCBs used	Ampere Range	I_{cw} / I_{cm} (kA) 415 V		3P/3P and 4P/4P Outline Dims (mm)			3 Pole – 3 Pole MTS Cat No.	4 Pole – 4 Pole MTS Cat No.
		I_{cw} / time	I_{cm}	H ¹⁾	W	D ¹⁾		
P160D_NN	160	2 kA – 1 s	2.8	208	311	90	MTSP160D160NN33	MTSP160D160NN44
P250D_NN	250	3.6 kA – 1 s	5	235	340	90	MTSP250D250NN33	MTSP250D250NN44
P400D_NN	400	5 kA – 1 s	7.6	360	460	153	MTSP400D400NN33	MTSP400D400NN44
P630D_NN	630	7.6 kA – 1 s	8.5	360	460	153	MTSP630D630NN33	MTSP630D630NN44
B800D_NN	800	10 kA – 0.3 s	17	394	630	170	MTSB800D800NN33	MTSB800D800NN44
B1000D_NN	1000	10 kA – 0.3 s	17	394	630	170	MTSB1000D1000NN33	MTSB1000D1000NN44
B1250D_NN	1250	15 kA – 0.3 s	32	490	650	171	MTSB1250D1250NN33	MTSB1250D1250NN44
B1600D_NN	1600	20 kA – 0.3 s	45	490	650	194	MTSB1600D1600NN33	MTSB1600D1600NN44
XS2000D_NN	2000	35 kA – 0.3 s	90	774	450	361	MTSXS2000D2000NN33	MTSXS2000D2000NN44
XS2500D_NN	2500	35 kA – 0.3 s	90	774	450	361	MTSXS2500D2500NN33	MTSXS2500D2500NN44

Note: 1) Depth dimension D does not include toggle length, and H dimension does not include attached busbars or rear connect busbars, if fitted.

Non Auto Isolator MCCB based 3P+4P and 4P+3P types

Features:

- MTS sizes 160 A to 2500 A
- MCCB Non Auto Switch Disconnectors – no overload protection
- Combinations for 3 and 4 pole Non Auto MCCBs
- Mechanically interlocked Non Auto Switch Disconnectors
- No internal accessories installed, no wiring
- Accepts handles and other front mount accessories
- MTS to 1000 A can be user assembled from ordered components or factory assembled via catalogue numbers below



MTS Non Auto Switch Disconnectors (no overload protection) selection chart and Catalogue numbers

MCCBs used	Ampere Range	I_{cw} / I_{cm} (kA) 415 V		3P/3P and 4P/4P Outline Dims (mm)			3 Pole – 4 Pole MTS Cat No.	4 Pole – 3 Pole MTS Cat No.
		I_{cw} / time	I_{cm}	H ¹⁾	W	D ¹⁾		
P160D_NN	160	2 kA – 1 s	2.8	208	311	90	MTSP160D160NN34	MTSP160D160NN43
P250D_NN	250	3.6 kA – 1 s	5	235	340	90	MTSP250D250NN34	MTSP250D250NN43
P400D_NN	400	5 kA – 1 s	7.6	360	460	153	MTSP400D400NN34	MTSP400D400NN43
P630D_NN	630	7.6 kA – 1 s	8.5	360	460	153	MTSP630D630NN34	MTSP630D630NN43
B800D_NN	800	10 kA – 0.3 s	17	394	630	170	MTSB800D800NN34	MTSB800D800NN43
B1000D_NN	1000	10 kA – 0.3 s	17	394	630	170	MTSB1000D1000NN34	MTSB1000D1000NN43
B1250D_NN	1250	15 kA – 0.3 s	32	490	650	171	MTSB1250D1250NN34	MTSB1250D1250NN43
B1600D_NN	1600	20 kA – 0.3 s	45	490	650	194	MTSB1600D1600NN34	MTSB1600D1600NN43
XS2000D_NN	2000	35 kA – 0.3 s	90	774	450	361	MTSXS2000D2000NN34	MTSXS2000D2000NN43
XS2500D_NN	2500	35 kA – 0.3 s	90	774	450	361	MTSXS2500D2500NN34	MTSXS2500D2500NN43

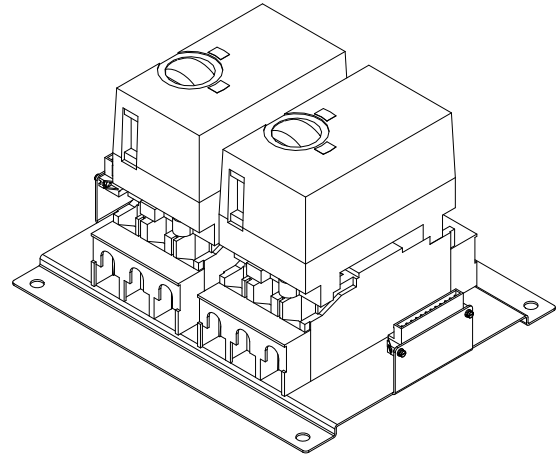
Note: 1) Depth dimension D does not include toggle length, and H dimension does not include attached busbars or rear connect busbars, if fitted.

Basic Transfer Switches (BTS)

Motorised 3P+3P and 4P+4P types

Features:

- BTS sizes 160 A to 3200 A
- Motor driven MCCBs
- MCCBs with LSI overload protection
- 3 or 4 pole types
- Mechanically interlocked MCCBs
- Pre-assembled and wired on a mounting plate
- Electronic (ATyS C55/65 CIP) or controller option
160 A – 3200 A²⁾



BTS MCCBs with overload protection - selection chart and Catalogue numbers

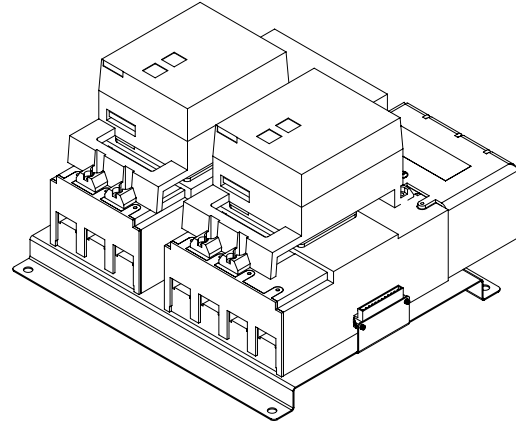
MCCBs used	Ampere Range	Interrupting Capacity kA @ 415 V AC		OCR Type ¹⁾	3P/3P and 4P/4P Outline Dims (mm)			3 Pole – 3 Pole MTS Cat No.	4 Pole – 4 Pole MTS Cat No.
		I _{cu}	I _{cs}		H ³⁾	W	D ³⁾		
P160F_TM	100 – 160			TM				BTSP160F160TM33	BTSP160F160TM44
P160F_BE	64 – 160	36	36	BE	208	311	177	BTSP160F160BE33	BTSP160F160BE44
P160F_SE	64 – 160			SE				BTSP160F160SE33	BTSP160F160SE44
P160N_TM	100 – 160			TM				BTSP160N160TM33	BTSP160N160TM44
P160N_BE	64 – 160	50	50	BE	208	311	177	BTSP160N160BE33	BTSP160N160BE44
P160N_SE	64 – 160			SE				BTSP160N160SE33	BTSP160N160SE44
P160H_TM	100 – 160			TM				BTSP160H160TM33	BTSP160H160TM44
P160H_BE	64 – 160	70	70	BE	208	311	177	BTSP160H160BE33	BTSP160H160BE44
P160H_SE	64 – 160			SE				BTSP160H160SE33	BTSP160H160SE44
P250F_TM	160 – 250			TM				BTSP250F250TM33	BTSP250F250TM44
P250F_BE	100 – 250	36	36	BE	235	340	177	BTSP250F250BE33	BTSP250F250BE44
P250F_SE	100 – 250			SE				BTSP250F250SE33	BTSP250F250SE44
P250N_TM	160 – 250			TM				BTSP250N250TM33	BTSP250N250TM44
P250N_BE	100 – 250	50	50	BE	235	340	177	BTSP250N250BE33	BTSP250N250BE44
P250N_SE	100 – 250			SE				BTSP250N250SE33	BTSP250N250SE44
P250H_TM	160 – 250			TM				BTSP250H250TM33	BTSP250H250TM44
P250H_BE	100 – 250	70	70	BE	235	340	177	BTSP250H250BE33	BTSP250H250BE44
P250H_SE	100 – 250			SE				BTSP250H250SE33	BTSP250H250SE44
P400F_TM	250 – 400			TM				BTSP400F400TM33	BTSP400F400TM44
P400F_BE	160 – 400	36	36	BE	360	460	244	BTSP400F400BE33	BTSP400F400BE44
P400F_SE	160 – 400			SE				BTSP400F400SE33	BTSP400F400SE44
P400N_TM	250 – 400			TM				BTSP400N400TM33	BTSP400N400TM44
P400N_BE	160 – 400	50	50	BE	360	460	244	BTSP400N400BE33	BTSP400N400BE44
P400N_SE	160 – 400			SE				BTSP400N400SE33	BTSP400N400SE44
P400H_TM	250 – 400			TM				BTSP400H400TM33	BTSP400H400TM44
P400H_BE	160 – 400	70	70	BE	360	460	244	BTSP400H400BE33	BTSP400H400BE44
P400H_SE	160 – 400			SE				BTSP400H400SE33	BTSP400H400SE44
P630F_TM	396 – 630			TM				BTSP630F630TM33	BTSP630F630TM44
P630F_BE	252 – 630	36	36	BE	360	460	244	BTSP630F630BE33	BTSP630F630BE44
P630F_SE	252 – 630			SE				BTSP630F630SE33	BTSP630F630SE44
P630N_TM	396 – 630			TM				BTSP630N630TM33	BTSP630N630TM44
P630N_BE	252 – 630	50	50	BE	360	460	244	BTSP630N630BE33	BTSP630N630BE44
P630N_SE	252 – 630			SE				BTSP630N630SE33	BTSP630N630SE44
P630H_TM	396 – 630			TM				BTSP630H630TM33	BTSP630H630TM44
P630H_BE	252 – 630	70	70	BE	360	460	244	BTSP630H630BE33	BTSP630H630BE44
P630H_SE	252 – 630			SE				BTSP630H630SE33	BTSP630H630SE44
B800N_TM	396 – 630			TM				BTSB800N630TM33	BTSB800N630TM44
B800N_BE	504 – 800	50	50	BE				BTSB800N800BE33	BTSB800N800BE44
B800H_TM	396 – 630			TM				BTSB800H630TM33	BTSB800H630TM44
B800H_BE	504 – 800	70	70	BE				BTSB800H800BE33	BTSB800H800BE44
B800N_TM	252 – 630			TM	394	690	281	BTSB800N800TM33	BTSB800N800TM44
B800N_BE	320 – 800	50	50	BE				BTSB800N630BE33	BTSB800N630BE44
B800N_SE	320 – 800			SE				BTSB800N800BE33	BTSB800N800BE44
B800H_BE	252 – 630			BE				BTSB800H630BE33	BTSB800H630BE44
B800H_SE	320 – 800	70	70	SE				BTSB800H800BE33	BTSB800H800BE44
B1000N	400 – 1000	50	38	BE				BTSB1000N1000BE33	BTSB1000N1000BE44
B1000H	400 – 1000	70	50	BE				BTSB1000HL1000BE33	BTSB1000H1000BE44
B1250N	500 – 1250	50	38	BE				BTSB1250N1250BE33	BTSB1250N1250BE44
B1250HL	500 – 1250	85	65	BE	490	710	290	BTSB1250HL1250BE33	BTSB1250HL1250BE44
B1600N	640 – 1600	50	38	BE				BTSB1600N1600BE33	BTSB1600N1600BE44
B1600HL	640 – 1600	85	65	BE	490	710	313	BTSB1600HL1600BE33	BTSB1600HL1600BE44
XS2000HL	1000 – 2000			BE				BTSXS2000HL2000BE33	BTSXS2000HL2000BE44
XS2500HL	1250 – 2500	85	64	BE	774	450	361	BTSXS2500HL2500BE33	BTSXS2500HL2500BE44
XS3200HL	1600 – 3200			BE				BTSXS3200HL3200BE33	-

Notes: 1) TM = Thermal Magnetic, BE = Basic Electronic Trip Unit, SE = SMART Electronic Trip Unit.
2) Refer following pages for information on automatic transfer controllers.
3) Dimensions do not include attached busbars or rear connect terminals, if fitted.

Motorised 3P+4P and 4P+3P types

Features:

- BTS sizes 160 A to 2500 A
- Motor driven MCCBs
- MCCBs with LSI overload protection
- Combinations of 3 and 4 pole MCCBs
- Mechanically interlocked MCCBs
- Pre-assembled and wired on a mounting plate
- Electronic (ATyS C55/65 CIP) or controller option
160 A – 2500 A²⁾



BTS MCCBs with overload protection - selection chart and Catalogue numbers

MCCBs used	Ampere Range	Interrupting Capacity kA @ 415 V AC		OCR Type ¹⁾	3 Pole – 4 Pole BTS Outline Dims (mm)			3 Pole – 4 Pole MTS Cat No.	4 Pole – 3 Pole MTS Cat No.
		I _{cu}	I _{cs}		H ³⁾	W	D ³⁾		
P160F_TM	100 – 160			TM				BTSP160F160TM34	BTSP160F160TM43
P160F_BE	64 – 160	36	36	BE	208	311	177	BTSP160F160BE34	BTSP160F160BE43
P160F_SE	64 – 160			SE				BTSP160F160SE34	BTSP160F160SE43
P160N_TM	100 – 160			TM				BTSP160N160TM34	BTSP160N160TM43
P160N_BE	64 – 160	50	50	BE	208	311	177	BTSP160N160BE34	BTSP160N160BE43
P160N_SE	64 – 160			SE				BTSP160N160SE34	BTSP160N160SE43
P160H_TM	100 – 160			TM				BTSP160H160TM34	BTSP160H160TM43
P160H_BE	64 – 160	70	70	BE	208	311	177	BTSP160H160BE34	BTSP160H160BE43
P160H_SE	64 – 160			SE				BTSP160H160SE34	BTSP160H160SE43
P250F_TM	160 – 250			TM				BTSP250F250TM34	BTSP250F250TM43
P250F_BE	100 – 250	36	36	BE	235	340	177	BTSP250F250BE34	BTSP250F250BE43
P250F_SE	100 – 250			SE				BTSP250F250SE34	BTSP250F250SE43
P250N_TM	160 – 250			TM				BTSP250N250TM34	BTSP250N250TM43
P250N_BE	100 – 250	50	50	BE	235	340	177	BTSP250N250BE34	BTSP250N250BE43
P250N_SE	100 – 250			SE				BTSP250N250SE34	BTSP250N250SE43
P250H_TM	160 – 250			TM				BTSP250H250TM34	BTSP250H250TM43
P250H_BE	100 – 250	70	70	BE	235	340	177	BTSP250H250BE34	BTSP250H250BE43
P250H_SE	100 – 250			SE				BTSP250H250SE34	BTSP250H250SE43
P400F_TM	250 – 400			TM				BTSP400F400TM34	BTSP400F400TM43
P400F_BE	160 – 400	36	36	BE	360	460	244	BTSP400F400BE34	BTSP400F400BE43
P400F_SE	160 – 400			SE				BTSP400F400SE34	BTSP400F400SE43
P400N_TM	250 – 400			TM				BTSP400N400TM34	BTSP400N400TM43
P400N_BE	160 – 400	50	50	BE	360	460	244	BTSP400N400BE34	BTSP400N400BE43
P400N_SE	160 – 400			SE				BTSP400N400SE34	BTSP400N400SE43
P400H_TM	250 – 400			TM				BTSP400H400TM34	BTSP400H400TM43
P400H_BE	160 – 400	70	70	BE	360	460	244	BTSP400H400BE34	BTSP400H400BE43
P400H_SE	160 – 400			SE				BTSP400H400SE34	BTSP400H400SE43
P630F_TM	396 – 630			TM				BTSP630F630TM34	BTSP630F630TM43
P630F_BE	252 – 630	36	36	BE	360	460	244	BTSP630F630BE34	BTSP630F630BE43
P630F_SE	252 – 630			SE				BTSP630F630SE34	BTSP630F630SE43
P630N_TM	396 – 630			TM				BTSP630N630TM34	BTSP630N630TM43
P630N_BE	252 – 630	50	50	BE	360	460	244	BTSP630N630BE34	BTSP630N630BE43
P630N_SE	252 – 630			SE				BTSP630N630SE34	BTSP630N630SE43
P630H_TM	396 – 630			TM				BTSP630H630TM34	BTSP630H630TM43
P630H_BE	252 – 630	70	70	BE	360	460	244	BTSP630H630BE34	BTSP630H630BE43
P630H_SE	252 – 630			SE				BTSP630H630SE34	BTSP630H630SE43
B800N_TM	396 – 630	50	50					BTSB800N630TM34	BTSB800N630TM43
B800N_TM	504 – 800			TM				BTSB800N800TM34	BTSB800N800TM43
B800H_TM	396 – 630							BTSB800H630TM34	BTSB800H630TM43
B800H_TM	504 – 800	70	70					BTSB800H800TM34	BTSB800H800TM43
B800N_BE	252 – 630	50	50		394	690	281	BTSB800N630BE34	BTSB800N630BE43
B800N_BE	320 – 800			BE				BTSB800N800BE34	BTSB800N800BE43
B800H_BE	252 – 630	70	70					BTSB800H630BE34	BTSB800H630BE43
B800H_BE	320 – 800							BTSB800H800BE34	BTSB800H800BE43
B1000N	400 – 1000	50	38	BE	394	690	281	BTSB1000N1000BE34	BTSB1000N1000BE43
B1000H	400 – 1000	70	50					BTSB1000HL1000BE34	BTSB1000HL1000BE43
B1250N	500 – 1250	50	38	BE	490	710	290	BTSB1250N1250BE34	BTSB1250N1250BE43
B1250HL	500 – 1250	85	65					BTSB1250HL1250BE34	BTSB1250HL1250BE43
B1600N	640 – 1600	50	38	BE	490	710	313	BTSB1600N1600BE34	BTSB1600N1600BE43
B1600HL	640 – 1600	85	65					BTSB1600HL1600BE34	BTSB1600HL1600BE43
XS2000HL	1000 – 2000	85	64	BE	774	450	361	BTSXS2000HL2000BE34	BTSXS2000HL2000BE43
XS2500HL	1250 – 2500							BTSXS2500HL2500BE34	BTSXS2500HL2500BE43

Notes:

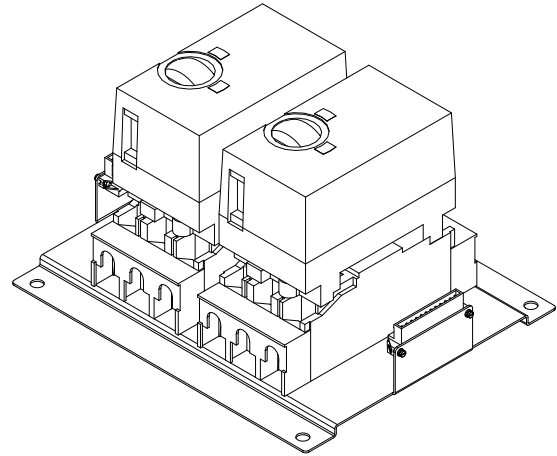
- 1) TM = Thermal Magnetic, BE = Basic Electronic Trip Unit, SE = SMART Electronic Trip Unit.
- 2) Refer following pages for information on automatic transfer controllers.
- 3) Dimensions do not include attached busbars or rear connect terminals, if fitted.



Non Auto Isolator MCCB based (motorised) 3P+3P and 4P+4P types

Features:

- Motor driven Non Auto Switch Disconnectors
- MCCB based Non Auto Switch Disconnectors – no overload protection
- 3 or 4 pole types
- Mechanically interlocked Non Auto Switch Disconnectors
- Pre-assembled and wired on a mounting plate
- Electronic (ATyS C55 or C65 CIP) or controller options



BTS Non Auto Switch Disconnectors (no overload protection) selection chart and Catalogue numbers

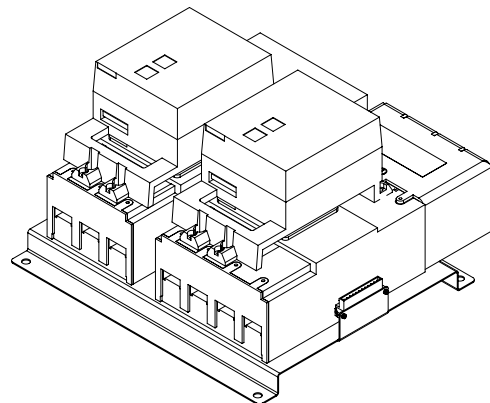
MCCBs used	Ampere Range	I_{cw} / I_{cm} (kA) 415 V		3P/3P and 4P/4P Outline Dims (mm)			3 Pole – 3 Pole MTS Cat No.	4 Pole – 4 Pole MTS Cat No.
		I_{cw} / time	I_{cm}	H ¹⁾	W	D ¹⁾		
P160D_NN	160	2 kA – 1 s	2.8	208	311	177	BTSP160D160NN33	BTSP160D160NN44
P250D_NN	250	3.6 kA – 1 s	5	235	340	177	BTSP250D250NN33	BTSP250D250NN44
P400D_NN	400	5 kA – 1 s	7.6	360	460	244	BTSP400D400NN33	BTSP400D400NN44
P630D_NN	630	7.6 kA – 1 s	8.5	360	460	244	BTSP630D630NN33	BTSP630D630NN44
B800D_NN	800	10 kA – 0.3 s	17	394	690	281	BTSB800D800NN33	BTSB800D800NN44
B1000D_NN	1000	10 kA – 0.3 s	17	394	690	281	BTSB1000D1000NN33	BTSB1000D1000NN44
B1250D_NN	1250	15 kA – 0.3 s	32	490	710	290	BTSB1250D1250NN33	BTSB1250D1250NN44
B1600D_NN	1600	20 kA – 0.3 s	45	490	710	313	BTSB1600D1600NN33	BTSB1600D1600NN44
XS2000D_NN	2000	35 kA – 0.3 s	90	774	450	361	BTSXS2000D2000NN33	BTSXS2000D2000NN44
XS2500D_NN	2500	35 kA – 0.3 s	90	774	450	361	BTSXS2500D2500NN33	BTSXS2500D2500NN44

Note: 1) Dimensions do not include attached busbars or rear connect terminals, if fitted.

Non Auto Isolator MCCB based (motorised) 3P+4P and 4P+3P types

Features:

- Motor driven Non Auto Switch Disconnectors
- MCCB based Non Auto Switch Disconnectors – no overload protection
- Combinations for 3 and 4 pole Non Auto MCCBs
- Mechanically interlocked Non Auto Switch Disconnectors
- Pre-assembled and wired on a mounting plate
- Electronic (ATyS C55 or C65 CIP) or controller options



MTS Non Auto Switch Disconnectors (no overload protection) selection chart and Catalogue numbers

MCCBs used	Ampere Range	I_{cw} / I_{cm} (kA) 415 V		3P/3P and 4P/4P Outline Dims (mm)			3 Pole – 4 Pole MTS Cat No.	4 Pole – 3 Pole MTS Cat No.
		I_{cw} / time	I_{cm}	H ¹⁾	W	D ¹⁾		
P160D_NN	160	2 kA – 1 s	2.8	208	311	177	BTSP160D160NN34	BTSP160D160NN43
P250D_NN	250	3.6 kA – 1 s	5	235	340	177	BTSP250D250NN34	BTSP250D250NN43
P400D_NN	400	5 kA – 1 s	7.6	360	460	244	BTSP400D400NN34	BTSP400D400NN43
P630D_NN	630	7.6 kA – 1 s	8.5	360	460	244	BTSP630D630NN34	BTSP630D630NN43
B800D_NN	800	10 kA – 0.3 s	17	394	690	281	BTSB800D800NN34	BTSB800D800NN43
B1000D_NN	1000	10 kA – 0.3 s	17	394	690	281	BTSB1000D1000NN34	BTSB1000D1000NN43
B1250D_NN	1250	15 kA – 0.3 s	32	490	710	290	BTSB1250D1250NN34	BTSB1250D1250NN43
B1600D_NN	1600	20 kA – 0.3 s	45	490	710	313	BTSB1600D1600NN34	BTSB1600D1600NN43
XS2000D_NN	2000	35 kA – 0.3 s	90	774	450	361	BTSXS2000D2000NN34	BTSXS2000D2000NN43
XS2500D_NN	2500	35 kA – 0.3 s	90	774	450	361	BTSXS2500D2500NN34	BTSXS2500D2500NN43

Note: 1) Dimensions do not include attached busbars or rear connect terminals, if fitted.

Automatic Transfer Switch Controllers

ATyS C55 Door Mount electronic controller for standard applications

The ATyS C55 CIP is a complete ATSE controller that can be used to control a remotely operated TemBreak PRO transfer switch. The ATyS C55 ensures the automatic or remotely controlled transfer from one source to another, with configurable timers and thresholds, for any combination of sources: 2 transformers, 1 transformer and 1 genset or 2 gensets.

Key applications include: Commercial buildings, Genset/Genset applications, External portable systems.

Ordering

Item Description	Catalogue number
ATyS C55 – ATS controller; includes mounting kit hardware, and Controller Interface Panel (CIP)	ATYSC55CIP
IP65 gasket for door cut-out area. The controller facia is IP65 as standard	1609 0001



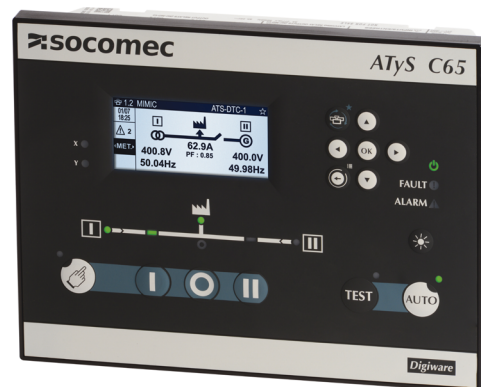
ATyS C65 Door Mount electronic controller for current and energy, 2 source bus-tie control and other advanced applications

The ATyS C65 is a complete ATSE controller that can be used to control a remotely operated TemBreak PRO transfer switch. The ATyS C65 is an advanced ATSE controller offering the same functions of the ATyS C55 with the addition of 2 source bus-tie control, current, power and energy monitoring, increased I/O capacity and functions, load shedding, lift control function, energy backup, increased number of events and alarms (measurement and combination alarms).

Key applications include: Life and safety critical applications, Commercial buildings, Genset/Genset applications, External portable systems.

Ordering

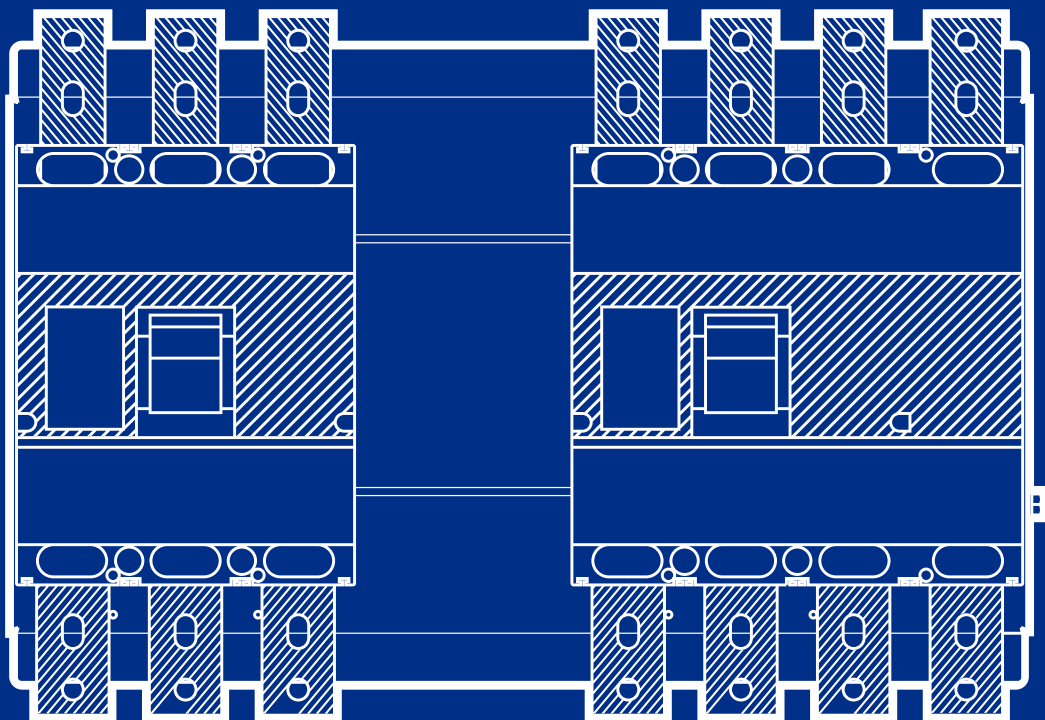
Item Description	Catalogue number
ATyS C65 – ATS controller; includes mounting kit hardware, and Controller Interface Panel (CIP)	ATYSC65CIP



Controller Interface Panel (CIP)

ATyS controllers are supplied as standard with a Controller Interface Panel, simply abbreviated to "CIP". The panel includes user control wiring terminals, control wiring fuses, and wiring looms, which connect directly to the ATyS controller's rear terminals, and also wiring looms which connect directly with an NHP assembled and wired basic transfer switch. The interface panel is a convenient assembly, saving the user time otherwise spent on time consuming wiring.





AUSTRALIA

nhp.com.au
SALES 1300 NHP NHP
sales@nhp.com.au

NEW ZEALAND

nhpnz.co.nz
SALES 0800 NHP NHP
sales@nhp-nz.com

NHP Electrical Engineering Products

A.B.N. 84 004 304 812
NHP-TECH-PDP-CP-2021-09-14-EN-
5.2 MCCB Transfer Switch Ordering Guide
V.2021-09-14
© Copyright NHP 2021