

- Using Stanilite light weight cantilever wall mount bracket WQFCLL; refer figure 5 for installation of cantilever light weight wall mount bracket WQFCLL. The cantilever light weight bracket is manufactured from 1.5mm stainless steel and is powder coated low sheen black.

In figure 5 "A" indicates conduit adaptors can be fitted to these faces. Installer must ensure proper sealing of any penetration to the base to maintain the IP rating of the unit. The necessary hardware (screws, nuts and washers) are supplied with the bracket. The figure 3 shows how the supplied hardware is used when installing the cantilever light weight wall bracket to the nylon base.

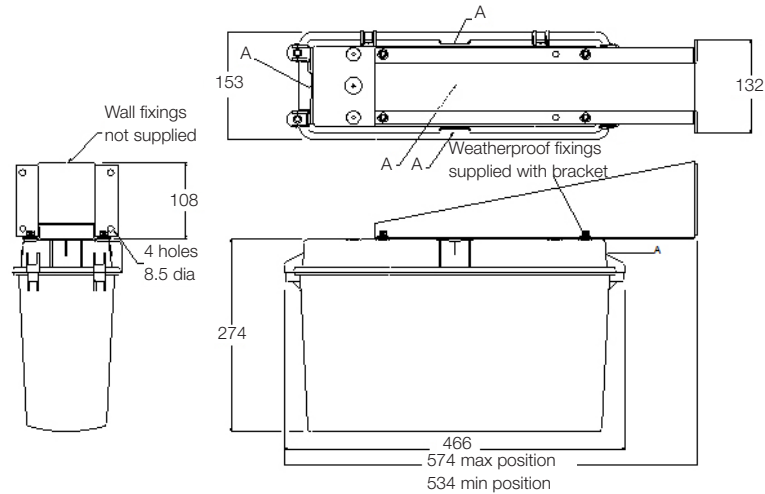


Figure 5: Showing installation detail of cantilever light weight wall mount bracket

Construction sites

Continuously switching of the mains power supply that is connected to emergency light fittings during the construction phase of an installation will cause these fittings to discharge and charge their batteries many times over a short period; this can shorten the life of the battery and will also result in shortened emergency lamp life. ABB does not recommend such practices and may not honour the warranty on batteries when they are subjected to such harsh operating conditions. Emergency light fittings are designed to be discharge tested once every 6 months as per AS/NZS2293.2, subjecting the product to repeated discharge or charge cycles is regarded as an abuse of the fittings.

Trouble shooting guide

If you have installed and connected the unit as per the instructions listed earlier and it does not work properly, please refer to the Quickfit installation manual's trouble shooting guide.

If the unit still does not work after checking these possible causes, contact ABB service in Australia on 1800 222 435, Monday to Friday, 7.00am to 5.00pm (AEST) and ask for help. Our trained service personnel will usually be able to take your call immediately and assist you in resolving your difficulty. ABB is committed to providing valuable through-life support for its products.

ABB Australia Pty Limited

Phone: 1800 222 435

E-mail: AU-ABB-Stanilite@abb.com

www.stanilite.com.au

Copyright © 2016 ABB
All rights reserved

Installation manual

Exit Quickfit® weatherproof and housing LED Quickfit weatherproof

Doc no. 29-01069



What's inside the box

Glass filled nylon base (1)	Nut M6 hex S steel (4)
Acrylic/polycarbonate diffuser (1)	Screw 10 x 1/2 mush nib steel (2)
Millennium Quickfit frame (1)	Screw M6 x 16 S steel socket cap (4)
Diffuser (1 single sided or 2 double sided)	Screw M6 x 16 S steel pan Phillips head (4)
Back plate (1 single sided)	Warranty information (1)

Congratulations

Congratulations on choosing to use this ABB product covered by our unique through-life support system. This document is designed to assist you during the installation of this product; for the safety of yourself and others **ABB recommends that you read this document thoroughly before commencing installation.** The fittings are designed for easy installation. They are advanced pieces of electronic equipment which, when treated with care and maintained through regular and appropriate servicing, will perform reliably for many years to come.

Safety warning

In Australia and New Zealand, only licensed electricians are permitted by law to work with 240 volt electrical installations. Do not attempt to install or connect this product unless you are a licensed electrician. Turn off and isolate the electrical supply before connecting this fitting to the building wires. Do not touch the terminals of the terminal block when the light fitting is energised. The only user-serviceable parts are fluorescent or halogen lamp/s. LED light sources are not user-serviceable. Do not tamper with the fitting or the warranty will be void. As the installer, it is your responsibility to ensure compliance with all relevant building and safety codes, (ie: AS3000, AS/NZS2293). Refer to the applicable standards for data and mains cabling installation procedures and requirements.

Important note: This product is designed for indoor and outdoor use.

Stanilite®

Power and productivity
for a better world™ **ABB**

9AKK106713A9575 - Oct 2016 - Revision 7

Installation instructions

1. Remove the unit from the packing box and inspect it for damage or imperfections. If any damage is found, do not install the unit, but replace it carefully into the packing box and notify the ABB product support hotline in Australia on 1800 222 435.
2. If all looks okay, installation can proceed.
3. Take the nylon base and drill holes to suit (refer figure 1). Base mounting screws are not supplied with the unit. Use appropriate screws as required depending on your installation, ie: wall or ceiling. Installer must ensure proper sealing of any penetration to the base to maintain the IP rating of the unit.
 - "A" drill to suit for ceiling mount.
 - "B" drill to suit for conduit entry.
 - "C" drill to suit for standard junction box mounting or top side conduit entry.
 - "D" drill to suit for wall mounting.
 - "A" also drill to suit for wall mount using Stanilite wall mount bracket part number WQFWM.

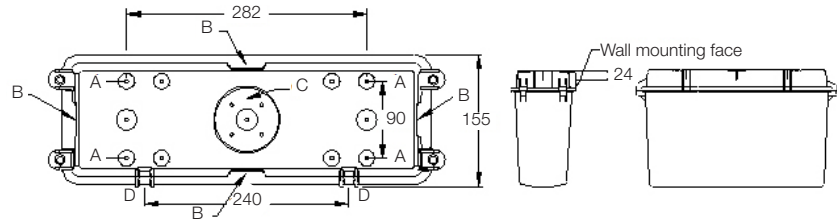


Figure 1: Glass filled nylon base, drill to suit for mounting

4. Install the ceiling bracket inside the base unit using 2 screws 10 x 1/2 mush nib steel supplied with the unit. For mains wiring and installation details of the Quickfit, please refer to the Quickfit installation manual.
5. Once the Quickfit is installed into the mounting bracket, you can install the enclosure into the base using either the socket cap or pan Philips head stainless steel M6 x 16 screws and nuts supplied with the unit.

Wall mount options

- Without using any wall mount bracket; drill holes in the base to suit (refer figure 1, hole position "D") for wall mount installation without using any bracket. Use appropriate screws as required. Installer must ensure proper sealing of any penetration to the base to maintain the IP rating of the unit.

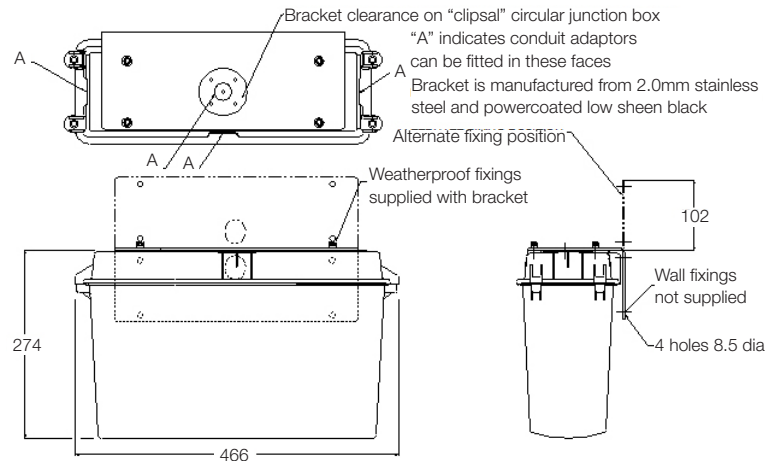


Figure 2: Showing installation detail of wall mount bracket

- Using Stanilite wall mount bracket WQFWM; for robust wall mounting use Stanilite wall mounting bracket part number WQFWM. Refer figure 2 for installation of wall mount bracket. The bracket is manufactured from 2.0mm stainless steel and is powder coated low sheen black. In figure 2 "A" indicates conduit adaptors can be fitted to these faces. Installer must ensure proper sealing of any penetration to the base to maintain the IP rating of the unit. The necessary hardware (screws, nuts and washers) are supplied with the bracket. Figure 3 shows how the supplied hardware is used when installing the wall bracket to the nylon base.

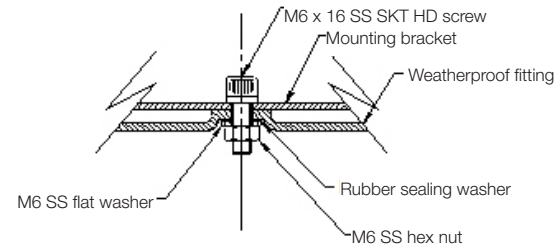


Figure 3: Showing details of supplied hardware to be used with the bracket

Wall mount cantilever options

- Using Stanilite heavy duty cantilever wall mount bracket WQFCLH; for robust cantilever wall mounting use Stanilite heavy duty bracket part number WQFCLH. Refer following figure 4 for installation of cantilever heavy duty wall mount bracket. The cantilever heavy duty bracket is manufactured from 6.0mm mild steel, hot zinc dipped and is powder coated low sheen black.

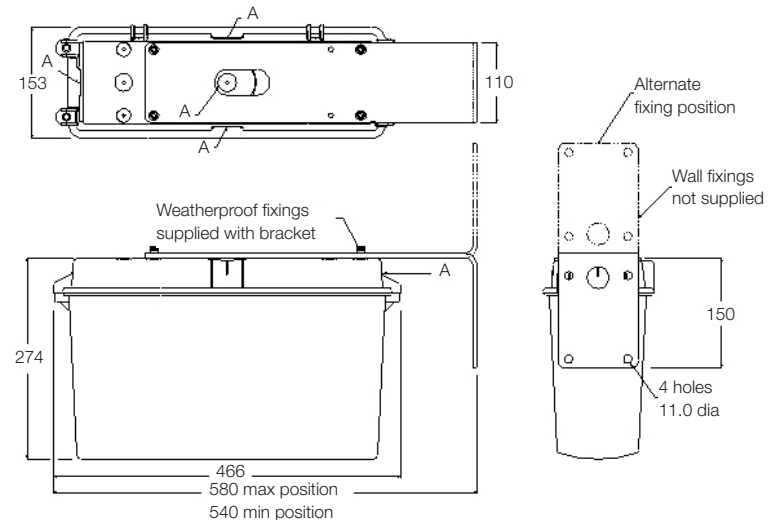


Figure 4: Showing installation detail of cantilever heavy duty wall mount bracket

- In the above figure 4 "A" indicates conduit adaptors can be fitted to these faces. Installer must ensure proper sealing of any penetration to the base to maintain the IP rating of the unit. The necessary hardware (screws, nuts and washers) are supplied with the bracket. The figure 3 shows how the supplied hardware is used when installing the cantilever heavy duty wall bracket to the nylon base.