

NL432PV characteristics according to AS 60947.3

Identification	Rating data
Switch, unenclosed—catalogue number (with DC-PV2 rating)	N/A
Specific dedicated individual enclosure—catalogue number (with minimum IP 56NW rating)	N/A
Assembly of switch and dedicated individual enclosure— catalogue number	NL432PV
I_{th} rated thermal current, unenclosed, at 40°C shade ambient air temperature	N/A
I_{the} rated thermal current, indoor, at 40°C shade ambient air temperature, in a specific dedicated enclosure	32 A
I_{the} rated thermal current outdoors at 40°C shade ambient air temperature without solar effects in a specific dedicated enclosure IP 66NW	32 A
I_{the} solar current value, outdoors at 60°C shade ambient air temperature, with solar effects in a specific dedicated enclosure rated IP 66NW	29 A

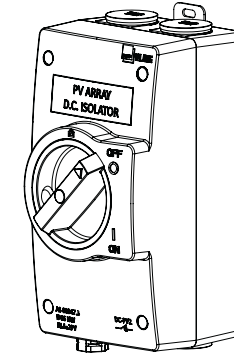
Connection Code*	U_o Rated Operational Voltage (V D.C.)	I_o : DC-PV2 Rated Operational current (A)	$I_{(make)}$ and $I_{c(break)}$ DC-PV2 $4 \times I_o$ (A)
A2 (2 poles in series) 	≤ 500	32	128
	600	32	128
	800	13	52
	1000	13	52
	1200	13	52
A2 + 2 (2 parallel poles in series) 	≤ 500	55	220
	600	55	220
	800	13	52
	1000	13	52
	1200	13	52
A4 (2 poles in series) 	≤ 500	32	128
	600	32	128
	800	13	52
	1000	13	52
	1200	13	52
A4B / A4O / A4U (4 poles in series) 	≤ 500	32	128
	600	32	128
	800	32	128
	1000	32	128
	1200	32	128
	1500	23	92

Method of operation	Independent manual operation (rotary)
Utilisation category	DC-PV2 / DC-21B
Number of poles	4
Polarity	No polarity
Suitable for isolation	Yes
I_{me} rated thermal current outdoors at 40°C shade ambient air temperature without solar effects in a specific dedicated enclosure IP 66NW (A)	32
Rated insulation voltage U_i (V)	1500
Rated impulse withstand voltage U_{imp} (kV)	8
Rated short-time withstand current I_{cw} (kA)	A2, A4: 1kA, 1s A2+2, A4B, A4O, A4U: 1.7kA, 1s
Cu cable cross section (mm ²)	Rigid solid/stranded: 4 – 16 Flexible: 4 – 10
Cable Stripping Length (mm)	12
IP rating (with / without pressure compensation device)	IP66NW
Pollution degree	3
Operating temperature (°C)	-40 to +85, suitable for indoor or outdoor use
Maximum ambient temperature (°C)	+70 (without derating)

*Refer to reverse page 'Wiring / Load Diagrams' .



ENCLOSED DC ISOLATING SWITCH (SWITCH-DISCONNECTOR)



Item No: NL432PV



HARDWARE (included)						TOOLS REQUIRED (NOT included)	
A M25 to M12 Reducer (QTY: 1)	B Bridging Links ¹ (QTY: 2)	C Base Caps ² (QTY: 6)	D Mounting Bracket (QTY: 2)	E Mounting Bracket Screws (QTY: 4)	F Screw Caps (QTY: 4)	T1 Screwdriver Phillips (#2)	T2 Screwdriver Pozi (#2)
HARDWARE (NOT included)						OPTIONAL (NOT included)	
G Cable Glands or Conduit Fittings ²	H Fasteners ³ (QTY: 2 - 4)	Neutral Cure Silicone ²			M25 - M12 Reducer P/N: NLARDM25M12 (PK of 4)	Padlock (≤Ø8mm shackle)	

1. If additional bridging links required (A2 + 2), order P/N: NLA432PVBL (PK of 4)
2. Required if using internal mounting points and conduit entries only, refer reverse page.
3. Installer to select appropriate fasteners and Cable Glands or Conduit Fittings.



Warning: Interconnected terminal pairings are not directly opposite one another. See terminal markings on switch mechanism for locations.

Warning: Verify that all connections (including bridging link connections) are suitable for the rated current, prepared to ensure only conductive parts are clamped and tightened to the manufacturer's required torque before energization.

NHP Electrical Engineering Products Pty Ltd

A.B.N. 84 004 304 812



AUS 1300 NHP NHP
NZ 0800 NHP NHP

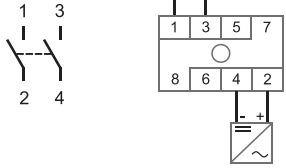
nhp.com.au
nhp-nz.com

WIRING / LOAD DIAGRAMS

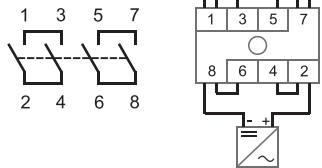


Warning: Interconnected terminal pairings are not directly opposite one another. See terminal markings on switch mechanism for locations.

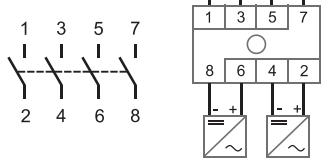
A2 (2 poles in series)



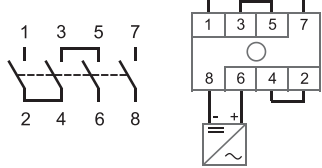
A2 + 2 (2 parallel poles in series)



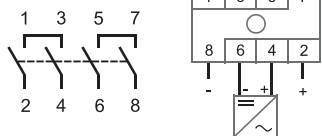
A4 (2 poles in series)



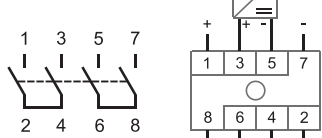
A4B (3+1, 4 poles in series)



A4O (4 poles in series)

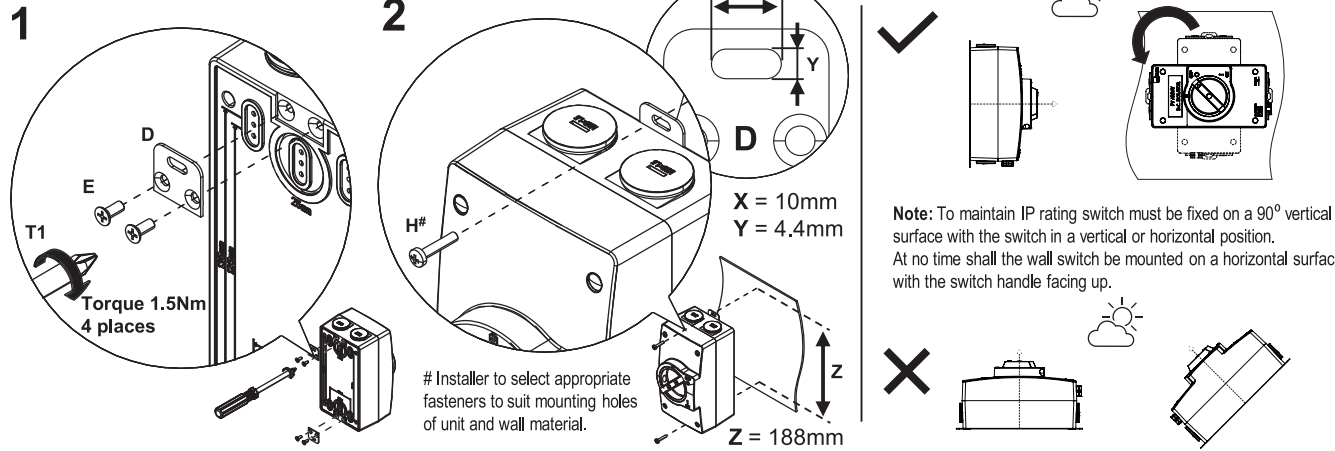


A4U (4 poles in series)



MOUNTING AND ORIENTATION

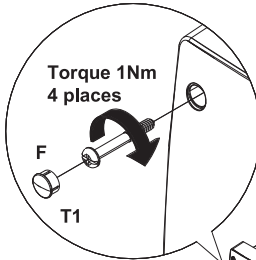
- External mounting option (Recommended): Via external mounting brackets – See below installation instructions
- Internal mounting option: Use template on carton to mark and drill mounting holes. To maintain IP66NW rating, all fixing points must be sealed with neutral cure silicone and insert base caps (C) provided.



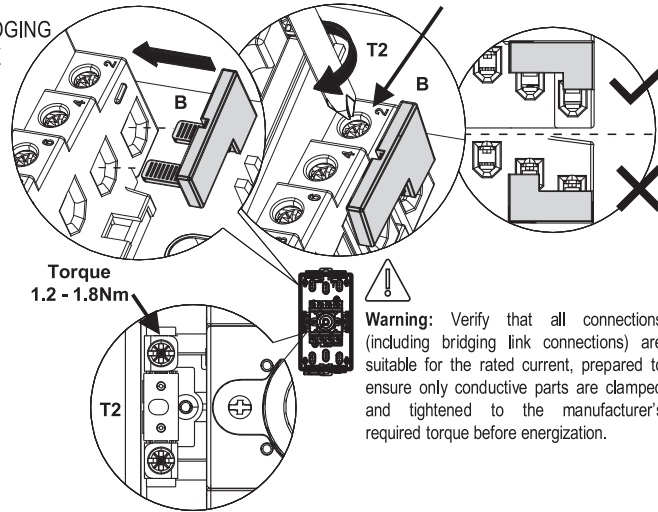
Note: To maintain IP rating switch must be fixed on a 90° vertical surface with the switch in a vertical or horizontal position. At no time shall the wall switch be mounted on a horizontal surface with the switch handle facing up.

INSTALLATION

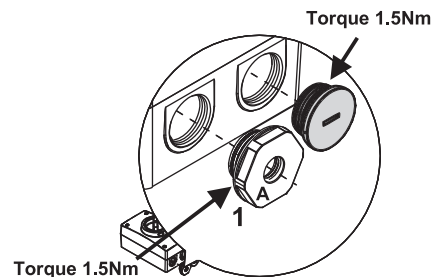
FRONT COVER



BRIDGING LINK

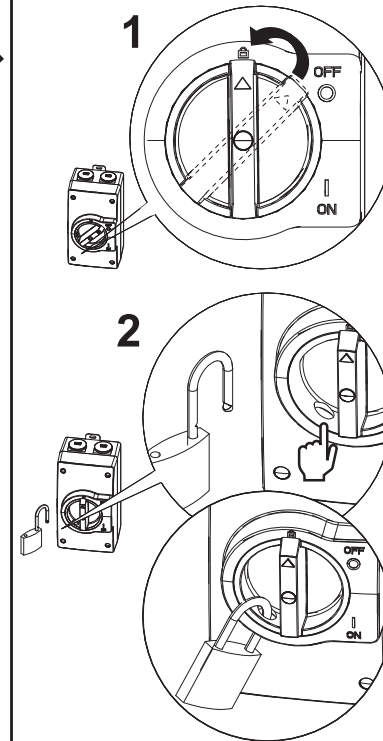


CABLE ENTRY PLUGS AND M25 - M12 REDUCER



Note: To maintain IP66NW rating, all conduit entries must be sealed using neutral cure silicone sealant. Apply sealant to entire male and female threads to assure a proper seal.

PADLOCKING



DIMENSIONS (mm)

P	P1	Q	R	S	T	Z
180	198.5	107	99	44	25.5	188

