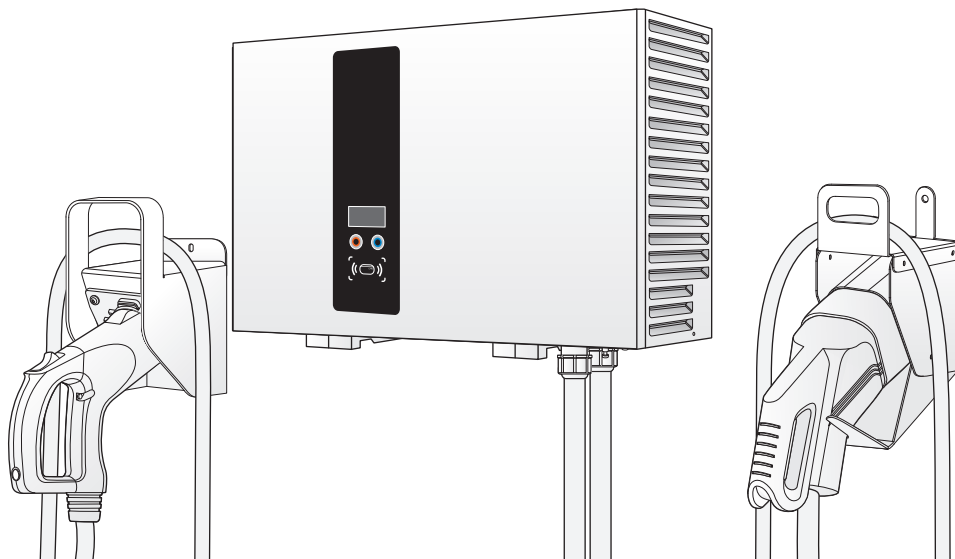




DC Wallbox Charger

Installation and Operation Manual



Version: 1.2.0
Issue date: 2020/03

TABLE OF CONTENTS

Introduction	1
Features	1
Applications	2
Important Safety and Wiring Instructions	3
Installation Site Selection	3
Safety and Compliance	3
Service Wiring	4
Before Installation	6
Safety Requirements	6
Accessory Kit	6
Recommended Tools	7
Installing the DC Wallbox Charger	8
Making the Connection	11
Operation	18
System Configuration	20
3G Configuration	20
Firmware Update	21
Maintenance	22
Warranty	22
General warranty requirements	22
Disposal	22
System Code	23
Troubleshooting	26
Specifications	27

Conventions

General Conventions

The following conventions are used in this manual:



Note:

Indicates additional information that is relevant to the current process or procedure.



WARNING!

Warning information appears before the text it references to emphasize that the content may prevent damage to the device or equipment.



CAUTION!

CAUTIONS APPEAR BEFORE THE TEXT IT REFERENCES. CAUTIONS APPEAR IN CAPITAL LETTERS TO EMPHASIZE THAT THE MESSAGE CONTAINS VITAL HEALTH AND SAFETY INFORMATION.

Typographical Conventions

The following typographical conventions are used in this document:

Italics

Indicates book titles, directory names, file names, path names, and program/process names.

Constant width

Indicates computer output shown on a computer screen, including menus, prompts, responses to input, and error messages.

Constant width bold

Indicates commands or information literally entered by a user on the computer. Variables contained within user input are shown in angle brackets (< >).

Bold italics.

Indicates keyboard keys that are pressed by the user.

Copyright

The ownership and all intellectual property rights of this Installation and Operation Manual (this “Manual”), including but not limited to the content, data and figures contained herein are vested by Delta Electronics, Inc. (“Delta”). The Manual can only be applied to operation or use of the product. Any disposition, duplication, dissemination, reproduction, modification, translation, extraction or any other usage to the Manual is prohibited without obtaining Delta’s prior written permission. As the product will be developed and improved continuously, Delta may modify or update the Manual from time to time without any notice. Delta will do its best efforts to keep the Manual updated and maintain the accuracy of the Manual. Delta disclaims any kinds or forms of warranty, guarantee or undertaking, either expressly or implicitly, including but not limited to the completeness, accuracy, non-infringement, merchantability or fitness for particular purpose or usage.

Copyright © Delta Electronics, Inc. All Rights Reserved.

Introduction

The DC Wallbox charger is the top choice for powering battery electric vehicles (BEV) and plug-in electric vehicles (PHEV) today. It is designed for quick charging in both public and private locations, such as retail and commercial parking spaces, fleet charging stations, highway service areas, workplaces, residences, etc.

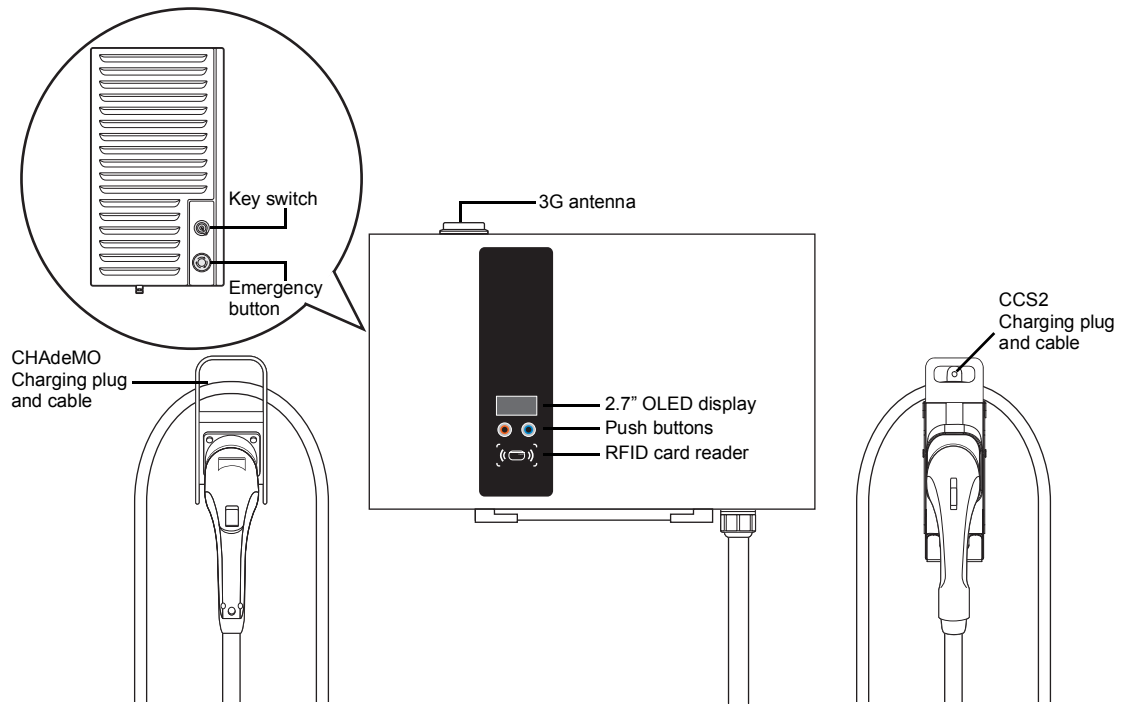
The DC Wallbox charger has the advantage of easy installation. The wall-mounting design and pluggable power modules allow for flexible and cost-effective installation at various types of locations. The DC Wallbox charger also features network communication capability; it is able to connect with remote network systems and provide drivers of electric cars real-time information, such as the locations of charging stations, charging progress information and billing information. DC Wallbox charger has a clear user interface with function buttons, a power supply safety system and excellent waterproof and dust-proof technology to provide the best choice for outdoor environments. It can also integrate with renewable energy systems, such as solar power and wind power technology, to provide the most energy saving infrastructure for EV system development.

Features

- Wall-mount design and pluggable power modules make installation easy and flexible.
- Offers customers the convenience of full start and stop charging control from an authorized RFID smart card.
- Built according to latest industry standards for DC charging.
- Carries an outdoor rating capable of withstanding solid and liquid intrusions in outdoor settings, making the unit more stable and highly reliable.
- Provides a high-contrast, OLED screen interface with multi-function buttons.

Applications

- Public and private parking areas
- Community parking areas
- Parking areas of hotels, supermarkets and shopping malls
- Workplace parking areas
- Charging stations
- Highway rest areas



Important Safety and Wiring Instructions

Installation Site Selection

DC Wallbox can be installed in both indoor and outdoor environments. It is necessary to consider the installation conditions and protection at the site:

- Follow local electrical regulation and installation standards
- Consider the emergency routes at the installation site
- Do not install the device at potentially explosive atmosphere areas (Ex areas).

Safety and Compliance

- Read the manual before installation or usage of device.
- Do not put tools, material or body parts into the electric vehicle connector.
- Do not use the DC Wallbox charger if the cabinet, power cord or charging cable are frayed, have broken insulation or show any other signs of damage.
- Do not install or use the DC Wallbox charger if the enclosure is broken, cracked, open or shows any other indications of damage.
- The DC Wallbox charger should be installed only by a qualified technician.
- Make sure that the materials used and the installation procedures follow local building codes and safety standards.
- The information provided in this manual in no way exempts the user of responsibility to follow all applicable codes or safety standards.
- The manufacturer is not responsible for physical injury, damage to property or damage to equipment caused by the installation of this device.
- This document provides instructions for the DC Wallbox charger and should not be used for any other product. Before installation or use of this product, you should review this manual carefully and consult with a licensed contractor, licensed electrician or trained installation expert to make sure of compliance with local building codes and safety standards.

Service Wiring

Ground Connection

Always connect the Neutral at the service to Earth Ground. If ground is not provided by the electrical service, a grounding stake must be installed nearby. The grounding stake must be connected to the ground bar in the main breaker panel, and the Neutral must be connected to Ground at that point.

The cross sectional area of the power grid's protective earthing (PE) conductor shall have a cross-sectional area not less than 10 mm² in copper.

380V - 415V Three-Phase



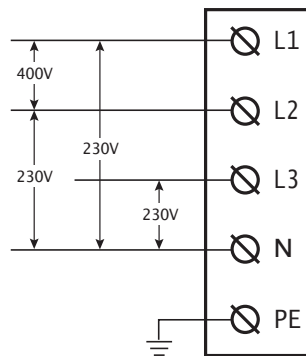
WARNING!

This feed is from a y-connection power grid, and the DC Wallbox can connect to L1, L2 or L3, and to neutral. Earth ground must be connected to neutral at only one point, usually at the breaker panel.



WARNING!

An earth connection is essential before connecting supply.



200V - 230V Three-Phase



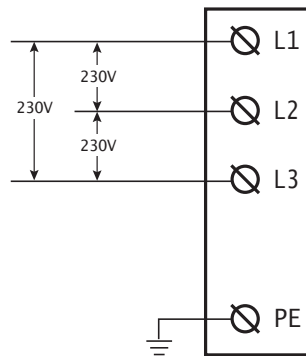
WARNING!

The following diagram illustrates the DC Wallbox connection to L1, L2, and L3 in a Delta-connection power grid feed. The earth ground must be connected to neutral at a single point, typically at the breaker panel.



WARNING!

An earth connection is essential before connecting supply.

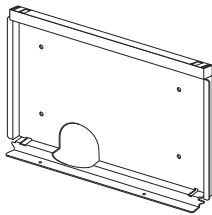


Before Installation

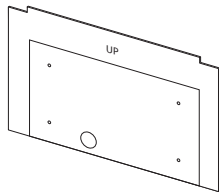
Safety Requirements

- Be sure to preview the standard operating procedures (SOP) and ensure local building and electrical codes are reviewed before installing the DC Wallbox charger.
- The DC Wallbox charger should be installed by a qualified technician according to the instruction manual and local safety regulations.
- Use appropriate protection when connecting to the main power distribution cable.
- Disconnect switch for each ungrounded conductor of ac input shall be provided by others in accordance with the IEC61851-1.
- For three-phase four-wire 380Vac-415Vac input, type C or D breaker with type A 4-pole 30mA RCD in the upstream panel should be installed, and the rating current of the breaker should be 50A.
- For three-phase three-wire 200Vac-230Vac input, type C or D breaker with type A 3-pole 30mA RCD in the upstream panel should be installed, and the rating current of the breaker should be 100A.

Accessory Kit



Mounting bracket x 1



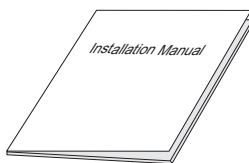
Mounting template x 1



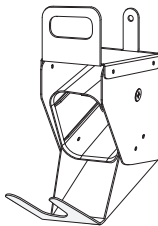
RFID cards x 2



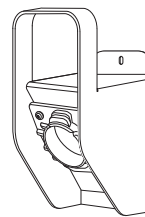
Keys x 2



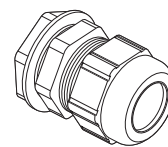
User manual x 1



CCS2 plug holder x 1



CHAdeMO plug holder x 1 (dual output model only)



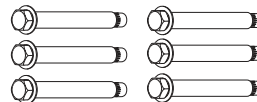
Cable Gland x 1



Bag of bracket screws x 2 (SCREW M M6*1*8 PAN TORX SUS NL)



Bag of grounding screw x 1 (SCREW M M6*1*12 HEXH C S+P S20C ZN-NI)



Bag of expansion bolts x 6 (+2 for dual output model) (ANCHOR SUS 16*50.8 PICKLING)

Recommended Tools

The following tools are recommended for the DC Wallbox charger installation:

- (1x) Voltmeter or digital multi-meter
- (1x) Water level
- (1x) Hammer
- (1x) Concrete drilling machine
- (1x) Wire cutters/strippers
- (1x) Torx[®] Tamper-Resistant T15 and T25 screwdriver
- (1x) No.8 Flathead screwdriver and socket wrench
- (1x) No.6 Flathead screwdriver
- (1x) No.2 Philips screw driver
- (1x) No.3 Philips screw driver
- (1x) M50 conduit hub, conduit and wrench for main power wires
- (1x) M25 conduit hub, conduit and wrench for Ethernet
- (4x) Ring terminal RNB14-6 for L1/L2/L3/N wire (14mm² copper wire) in models with 380V-415V three-phase input
- (3x) Ring terminal RNB38-6 for L1/L2/L3 wire (38mm² copper wire) in models with 200V-230V three-phase input
- (1x) Ring terminal RNB14-6 for PE/ground wire (14mm² copper wire)

Important Safety Instructions.

Save these Instructions.

- The DC Wallbox charger should be installed only by a licensed contractor, and/or a licensed electrician in accordance with all applicable state, local and national electrical codes and standards.
- Before installing the DC Wallbox charger, review this manual carefully and consult with a licensed contractor, licensed electrician and trained installation expert to ensure compliance with local building practices, climate conditions, safety standards and state and local codes.



WARNING!

Danger of electrical shock or injury. Turn off power at the panel board or load center before working inside the equipment or removing any component. Do not remove circuit protective devices or any other component until the power is turned off.



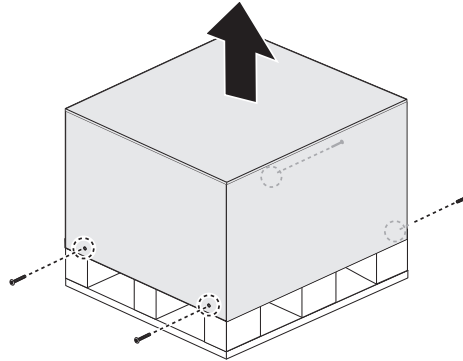
CAUTION!

TO AVOID DAMAGE TO THE CHARGER OR PERSONAL INJURY, MAKE SURE THE INSTALLATION LOCATION IS ABLE TO SUPPORT THE WEIGHT OF THE DC WALLBOX CHARGER.

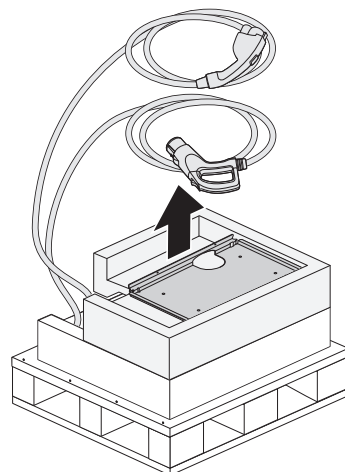
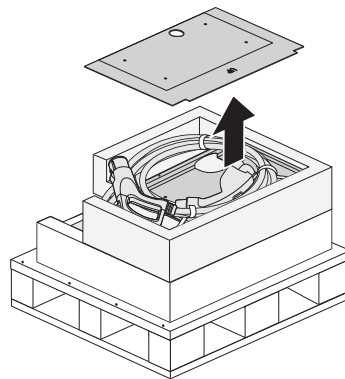
Installing the DC Wallbox Charger

Preparation

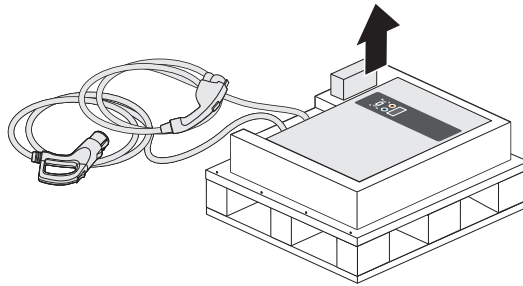
1. Release the screws on the crate (two sides) with a No. 8 socket wrench.
2. Open top lid of plywood crate.



3. Take out mounting template and cut off the cable ties to move the charging plug.



4. Remove top foam, open plastic bag and take out the unit.

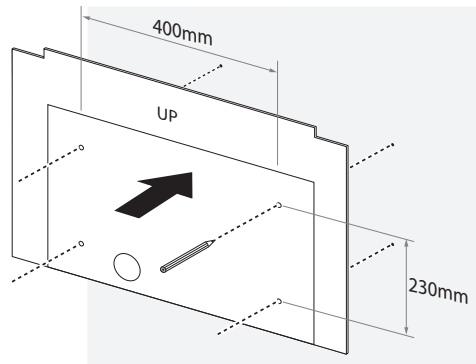


Note:

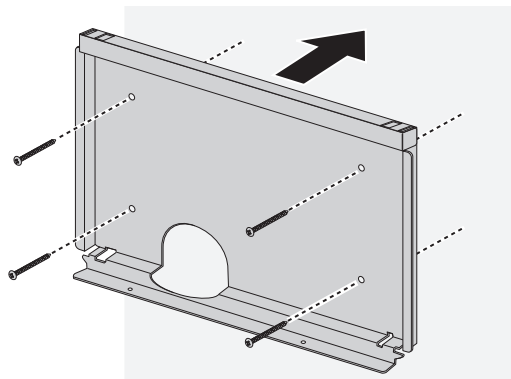
Carefully place the unit and the charging plug on the ground or a flat surface at this stage.

Wall Mounting

1. Use template and leveler tool to mark out the mounting position.



2. Mount bracket onto the wall.



Note:

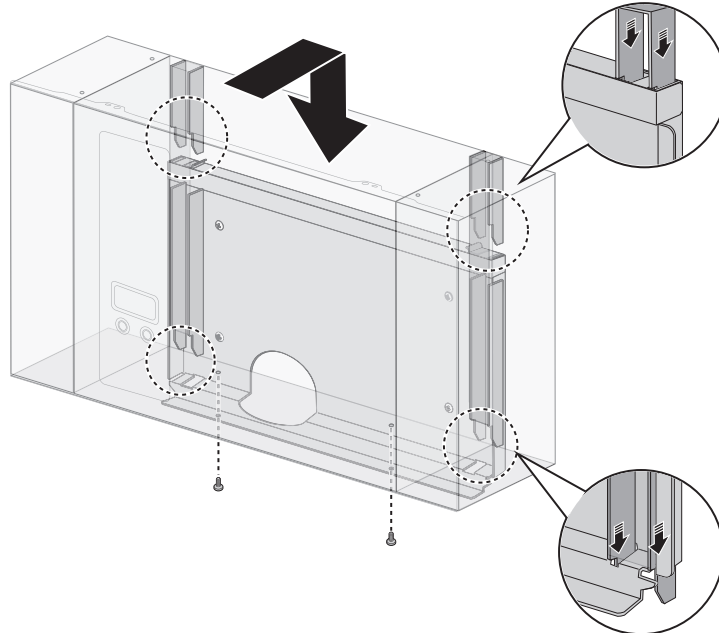
- **The unit must be mounted on a solid wall (concrete or metal preferred).**
- Use the expansion bolts in the accessory kit or choose proper mounting screws for different types of wall. A drilling machine might be needed for certain conditions.
- Follow applicable accessibility requirements for the mounting position. The unit must be mounted at a sufficient height from grade such that the height of the storage is located **between 60 cm (24 inches) and 120 cm (4 feet)** from grade per NEC Article 625.



WARNING!

To ensure adequate ventilation and maintenance space, leave a minimum of 45 cm (18 inches) on both sides of the charger.

3. Place unit onto bracket. Align the back chassis of unit with the corresponding slot on the bracket. Slowly slide down the unit until it sits firmly on the bracket. Fasten two screws from the bottom.



Note:

The bottom fixing screws are in the accessory kit.

Making the Connection

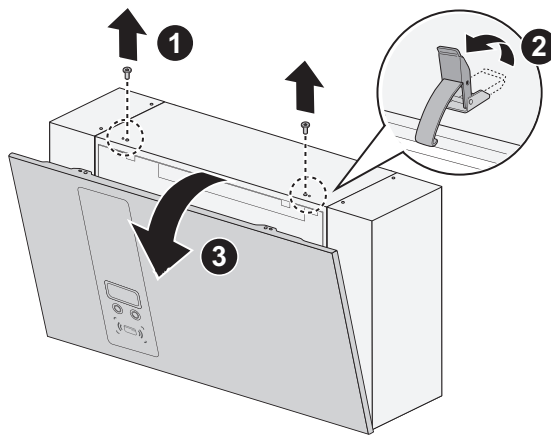


WARNING!

Only use a **Torx® Tamper-Resistant T15** screwdriver to secure or remove the screws. Use of any other tool may damage screws and panel.

Power Wiring

1. Open front cover for wiring.
 - a. Release two screws on top.
 - b. Release the latches to open front cover.
 - c. Put down front cover gently.



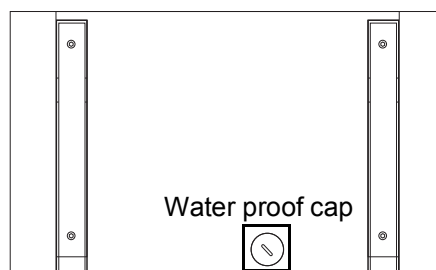
2. Routing the power wires is possible through the bottom or rear of the enclosure.
Select the location to route the power wiring.

Bottom-fed wiring:

- a. Feed the wires from the underside. Make sure the wiring can sufficiently reach the connectors before securing.
- b. Continue with the fastening of the wires, see the following step.

Rear-fed wiring:

- a. Remove the waterproof cap from the back of the enclosure and insert the waterproof cap in cable access location on the bottom of the enclosure.



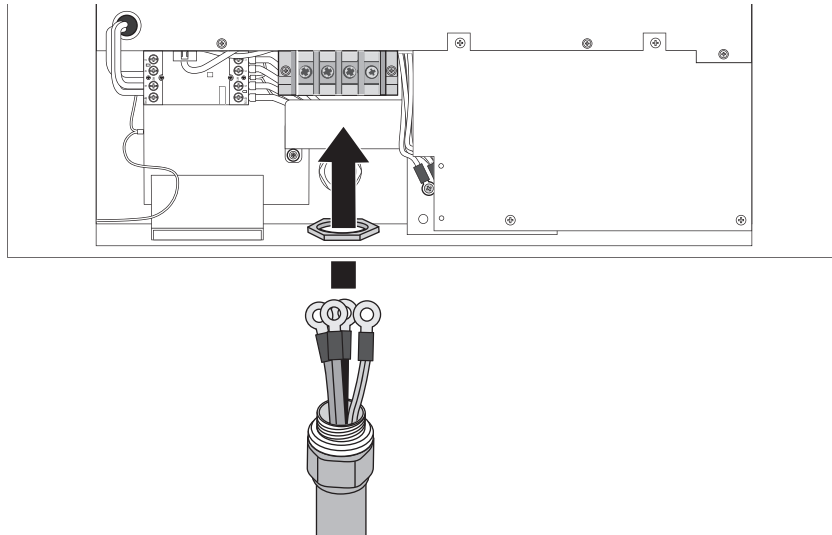
- b. Proceed with the following steps.



CAUTION!

BACK-FED WIRING MAY CAUSE THE RISK OF WATER LEAKAGE. DO NOT CHOOSE THIS WIRING CONNECTION IN OUTDOOR LOCATIONS.

3. Fasten cable gland to secure wires.



Note:

To insure protection from the elements, make sure to use **certified IP55 (or above)** cable glands.

4. Remove lid of terminal block and connect the wiring to the correct terminals. See the following information for specific model connections.

Wiring requirements are dependent on the model type and between single and three-phase models.

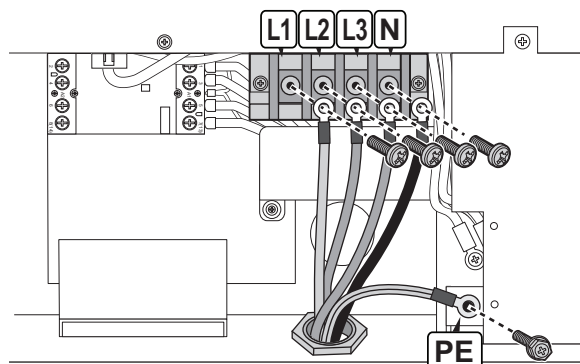


WARNING!

Cable color coding may be defined differently depending on the region.

Three-phase

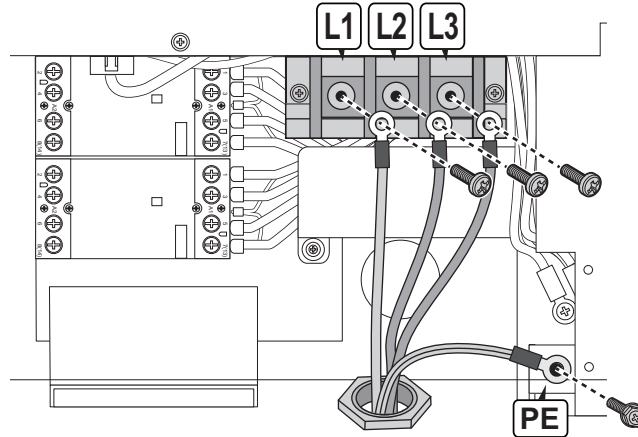
Wiring the 380Vac - 415Vac



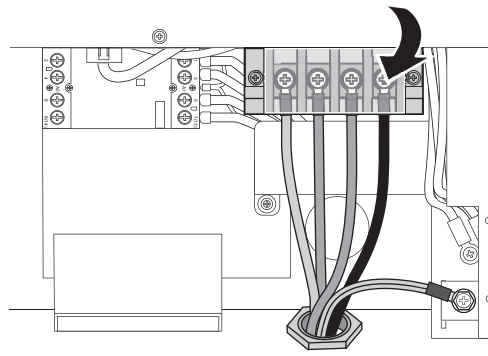
- Use conduit hub and conduit size M50 according to EN 61386-24.
- Connect the power wires of 4 x RNB14-6 ring terminal with cable lugs to the input terminal marked with "L1", "L2", "L3" and "N" using 4 x M6.0 screws with 33 kg-cm Torque force.

- Connect the ground wire of RNB14-6 into the earth terminal marked with ground symbol (⊕) using 1 x M6.0 screw with 20 kg-cm Torque force.

Wiring the 200Vac - 230Vac



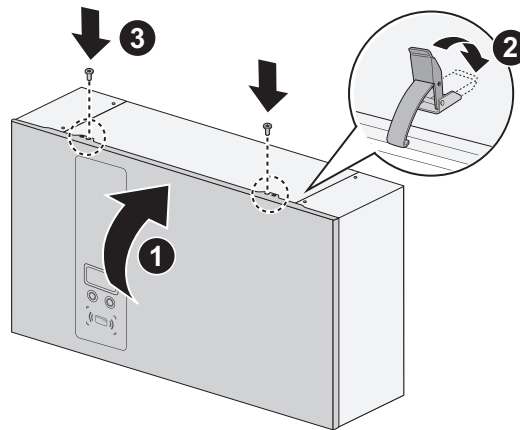
- Use conduit hub and conduit size M50 according to EN 61386-24.
 - Connect the power wires of 3 x RNB38-6 ring terminal with cable lugs to the input terminal marked with "L1", "L2" and "L3" using 3 x M6.0 screws with of 33 kg-cm Torque force.
 - Connect the ground wire of RNB14-6 into the earth terminal marked with ground symbol (⊕) using 1 x M6.0 screw with 20 kg-cm Torque force.
5. Fasten each wire with the proper screw. Make sure the correct amount of torque is used. See listed information.
 6. Place lid back onto terminal block.



CAUTION!

MAKE SURE THE ELECTRIC WIRE CONDUIT IS ALIGNED WITH THE DC WALLBOX CHARGER INPUT WIRE OPENING PRIOR TO INSTALLATION. FAILURE TO DO SO COULD DAMAGE THE WIRING OR THE CHARGER.

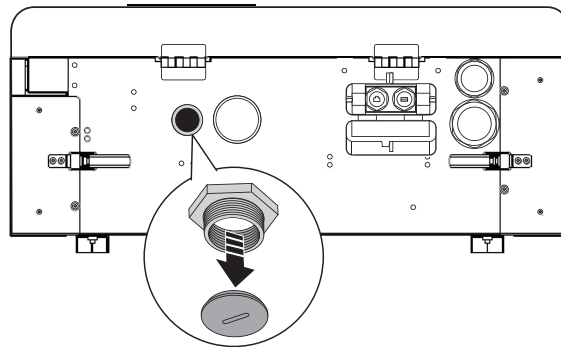
- Put front cover back and fasten screws securely.



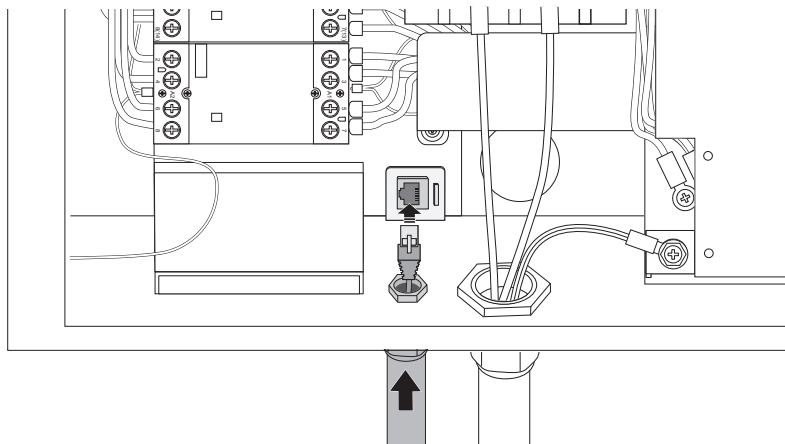
Ethernet Connection

It is recommended to connect Ethernet cables through the underside access ports. It is necessary to open front cover.

- Remove the water proof cap from the Ethernet access port.



- Insert the cable through the port and connect the Ethernet cable to the terminal.
- Fasten the conduit or cable gland to secure the cable.

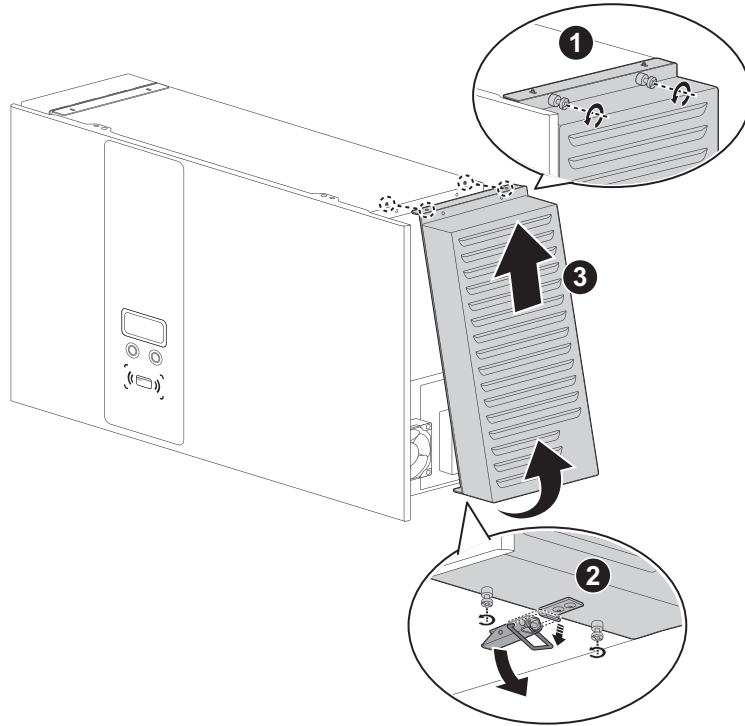


Note:

To insure protection from the elements, make sure to use **certified IP55 (or above)** cable glands.

3G Connection

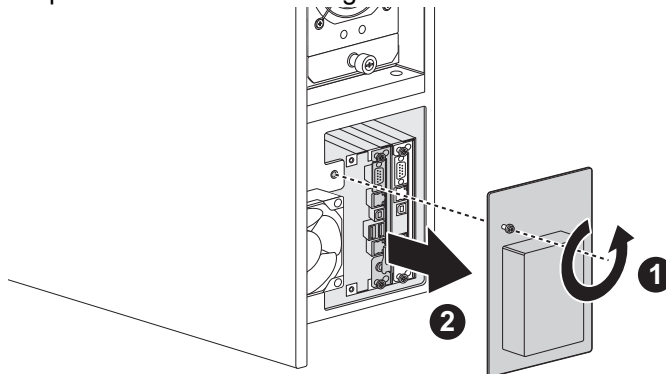
1. Remove right filter cover.
 - a. Release the screws on the top.
 - b. Release the screws on the bottom and pull out the latch.
 - c. Open and remove the filter cover.



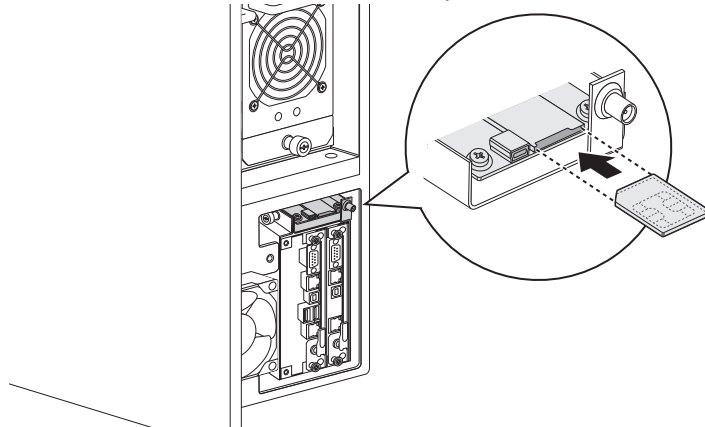
WARNING!

Only use a **Torx® Tamper-Resistant T25** screwdriver to secure or remove the screws of unit. Use of any other tool may damage screws and panel.

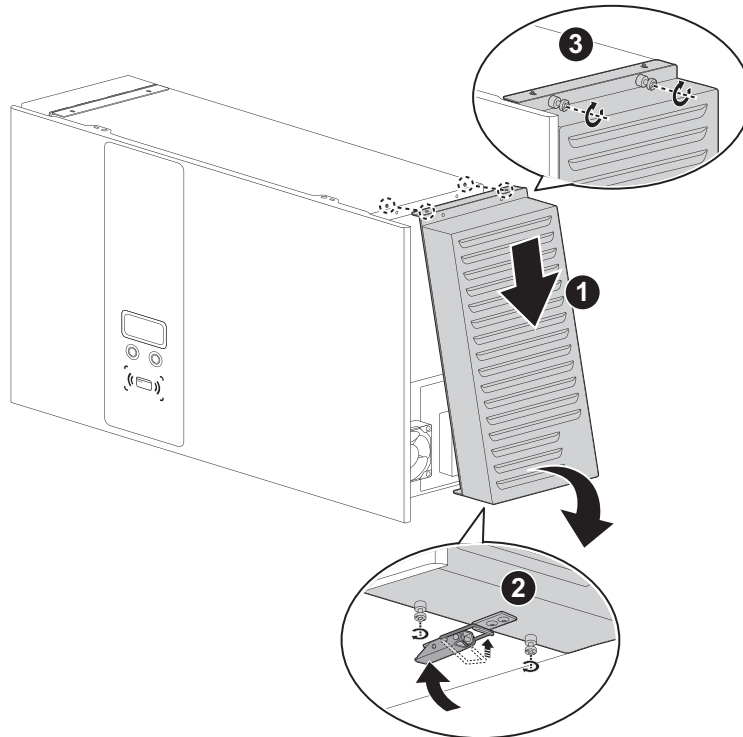
2. Remove the protection cover on the right side.



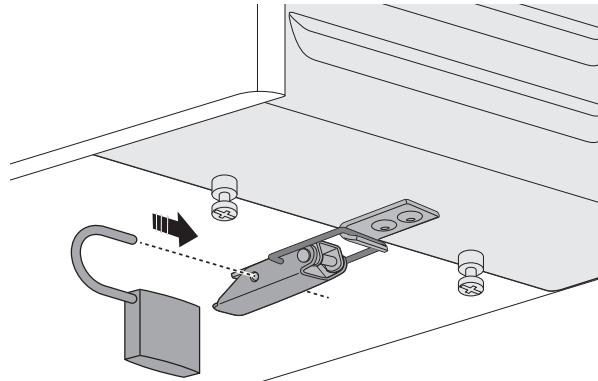
3. Insert micro SIM card onto 3G board. Fasten the protection cover back.



4. Return right filter cover.
 - a. Hang filter cover onto the unit.
 - b. Pull down the pin and place back filter cover.
 - c. Fasten screws on bottom.
 - d. Fasten screws on top.

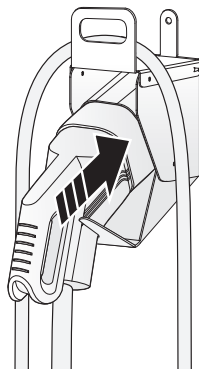


- e. Close the latch at the bottom. The latch has a hole of 3.3mm in diameter to put a padlock into it to avoid tampering.

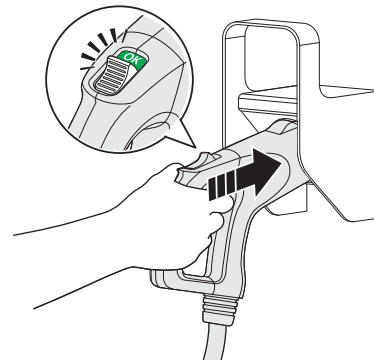


Set Charging Plug

1. Mount charging plug hanger onto the wall.
2. Place charging cable and plug on the hanger properly.



IEC DC (CCS2)

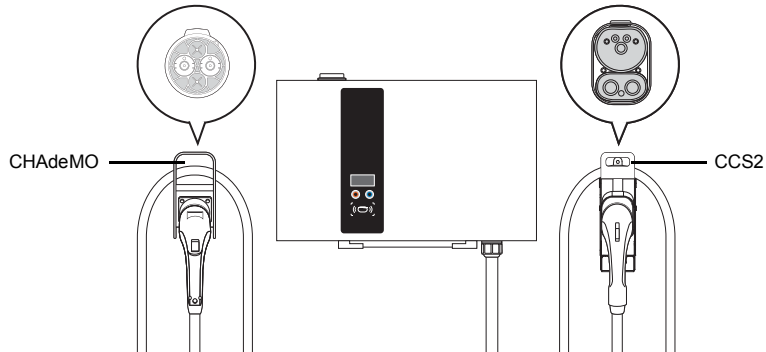


CHAdeMO - only for dual output model

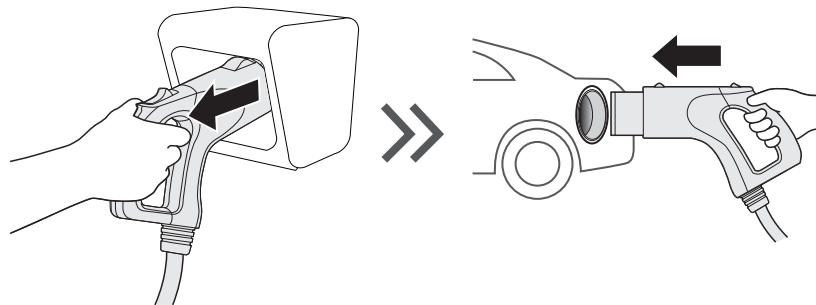
3. Switch power on and turn the key to initialize DC Wallbox when all steps are completed.

Operation

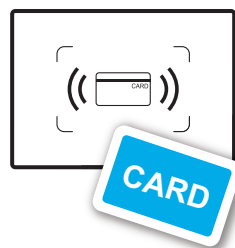
1. Choose the preferred language.
2. Choose a compatible plug (CCS or CHAdeMO).



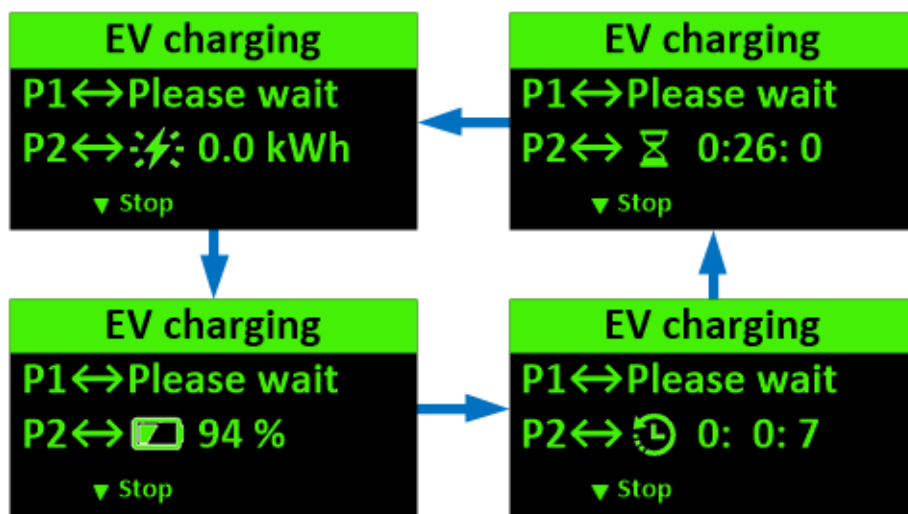
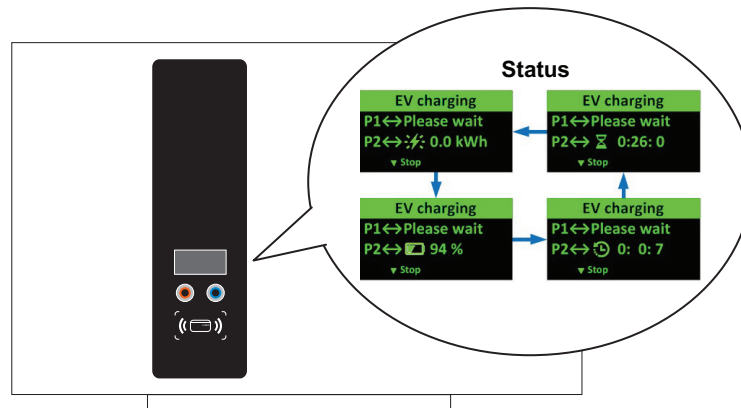
3. Connect the plug to the EV.



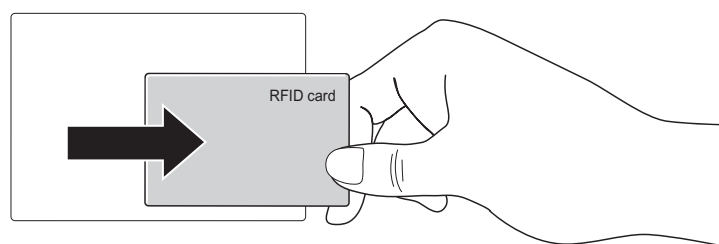
4. Swipe the authorized RFID card to start charging. The authorized RFID can be use directly without any activation or setting.



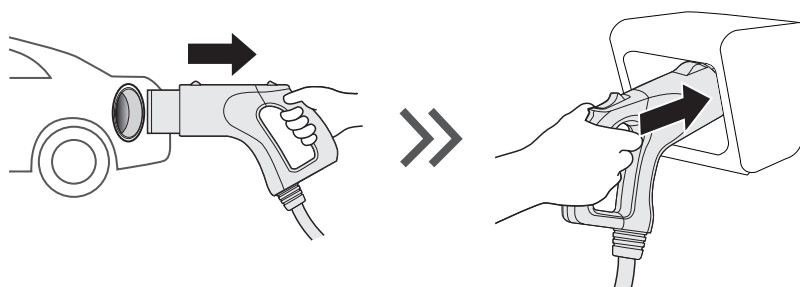
- Once charging commences, status information is displayed on the screen. The following illustrations demonstrate the start to near complete charging procedure.



- Swipe the authorized RFID card to stop.



- Return the plug to the holder.



System Configuration

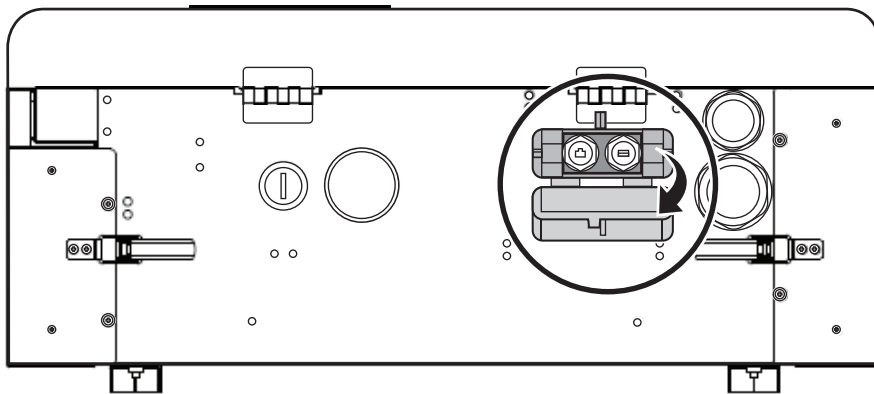


WARNING!

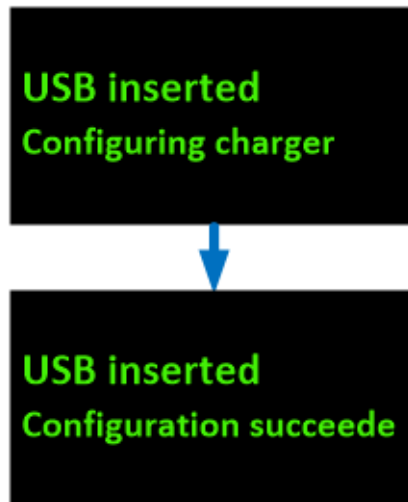
Only configure the charger when the charger is not in charging mode to avoid interruption of an ongoing charging session.

Steps:

1. Contact service provider to login online configuration tool.
2. When the configuration is done, copy the parameter file (DeltaDCWallboxConfig) to the root of a USB flash drive (the drive format should be FAT/FAT32, < 32GB).
3. Insert the USB flash disk into the USB port on the bottom (labeled USB). The configuration will be uploaded to the DC Wallbox.



4. Remove the USB flash drive when the configuration is complete.



5. Close the protection cover. The cover has a hole to put padlock into it to avoid tampering.

3G Configuration

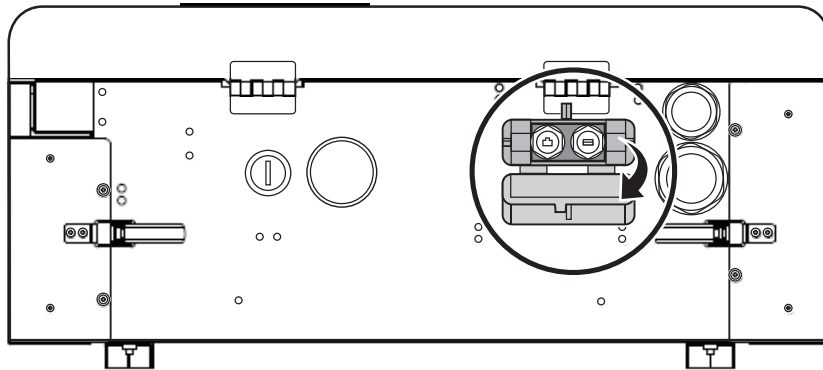
For models equipped with the 3G modem, insert a valid 3G (WCDMA) SIM card as detailed in previous steps (page 15) to start 3G connection. Consult with local operator to activate data service on the SIM card beforehand. Disable PIN check on the SIM card before inserting the card into the modem.

Request APN information from the operator and make sure APN is configured correctly via the configuration tool.

Firmware Update

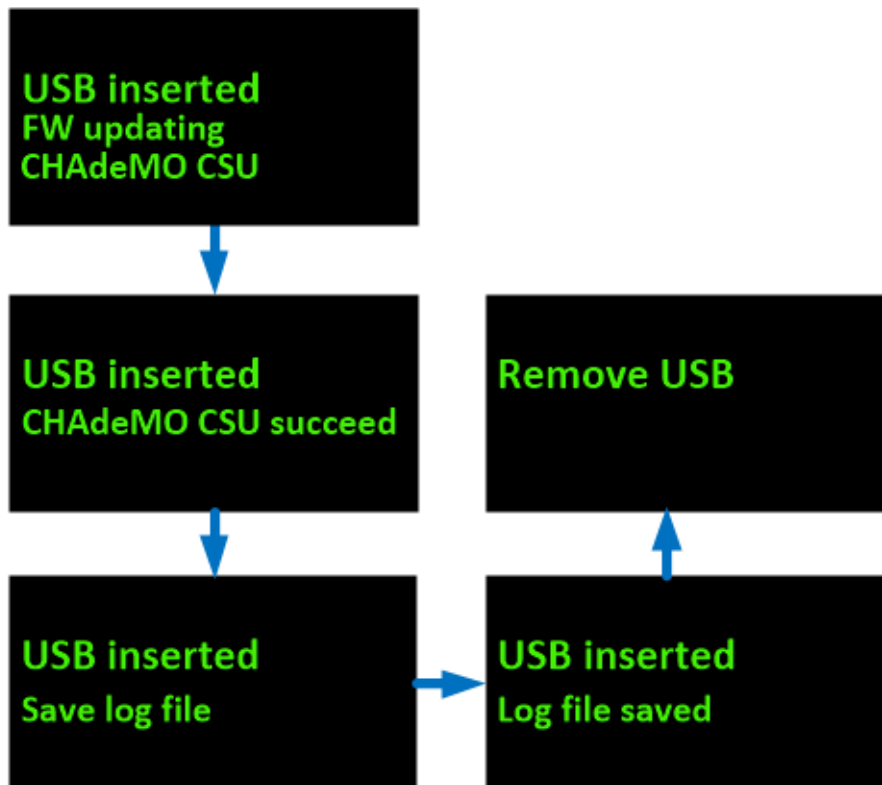
Firmware updates can be made via the USB port on the bottom of the cabinet.

1. Obtain a USB flash drive. The drive format should be FAT/FAT32, < 32GB.
2. Insert the USB flash disk into the USB port on the bottom of the unit (labeled USB).



The updated firmware is uploaded to the DC Wallbox.

The status is displayed on the panel.



3. When system finishes the update procedure, it restarts automatically.
4. Close the protection cover. The cover has a hole to put padlock into it to avoid tampering.

Maintenance

Annual Requirements

1. Replace the ventilation filter.
2. Conduct a visual inspection of the charging cable and ensure that cable does not show any visual damage or deformation.
3. Conduct a visual inspection of the charging gun and ensure that gun does not show any visual damage, arcing or rust.



WARNING!

To avoid danger of electrical shock or injury, turn off power at the panel board or load center before working on the equipment or removing any component. Do not remove circuit protective devices or any other component until the power is turned off.

Disconnect electrical power to the DC Wallbox before any maintenance work to ensure that it is separated from the supply of AC mains. Failure to do so may cause physical injury or damage to the electrical system and charging unit.



Note:

- Before switching off the main breaker to cut off power, please record the error code on the display screen.
- Even when the key switch is turned off, the circuit before the main terminal is still hazardous. Please only operate visual inspection at this moment.
- Maintenance of the DC Wallbox shall be conducted only by a qualified technician.

Note:

- After opening the front door, turn off the main breaker and auxiliary breaker before any maintenance work.

Warranty

General warranty requirements

Delta warrants that the products will be free from defects in materials and workmanship for a period of two years for EVSE from the S/N stamped on the product by the original purchaser from Delta Company. This warranty only applies to the original purchaser and is not transferable to a third party.

Disposal

After correctly decommissioning the device, please have it disposed by the service department in compliance with current waste disposal regulations. Electrical and electronic devices including accessories must be disposed of separately from general waste.



Recycle any packaging material that are of recyclable material such as paper, carton, wood, etc., and throw other non-recyclable packaging material in the trash bin. You can make a significant contribution to protecting our environment by reusing or recycling the material.

System Code

Alarm Code	Description
004001	System input voltage is higher than workable range (> 305 volt)
004002	System input voltage (L2 or L3) is lower than workable range (< 170 volt)
004003	System output voltage is higher than EV battery maximum voltage
004004	Request output current from EV is higher than present EVSE ability
004005	The temperature of air inlet or input contactor is higher than workable range (> 60°C)
004006	The temperature of CCS combo charging plug is higher than workable range <ul style="list-style-type: none"> ● REMA => (> 85°C) ● Phoenix => (> 75°C)
004007	The air filter need to be replaced
004008	System fan is attenuated so that need to be replaced
004009	The self test of system controller is failure
00400A	Emergency button is pressed
00400B	The user authorized by backend is failed
00400C	The user authorized by EVSE itself is failed
00400D	The temperature sensor of air inlet is broken
00400E	The temperature sensor of input contactor is broken
00400F	SPD trigger
004010	Output fuse at CCS side is broken
004011	Output fuse at CHAdeMO side is broken
004012	The temperature sensor of CCS combo charging plug is broken
004013	the temperature of air inlet or input contactor is lower than workable range (< -40°C)
004014	User stops charging
004017	System is timeout if user doesn't plug-in in 3 minutes after authorized
004018	Charging time is up (Max: 2hr)
004019	System data storage is not enough
004020	Unknow error
004021	Charging is remotely stopped by backend office
004022	Input voltage is drop (<20V, <100ms)
004023	System L1 input voltage is lower than workable range (< 170 volt)
005001	Communication with CHAdeMO EV is broken
005005	Communication with CCS EV is broken
005006	Power rectifier is broken (SMR)
005007	Communication with CCS controller is broken
005008	Communication with auxiliary power module is broken
005009	Communication with relay control module is broken
00500C	Communication with display module is broken
00500D	Communication with RFID module is broken

Alarm Code	Description
00500E	3G module is not ready (module itself or SIM)
00500F	WiFi module is not ready
006001	3G connection is disconnected from APN
006002	3G connection is disconnected from internet
006003	3G connection is disconnected from backend office
006008	Ethernet connection is disconnected from internet
006009	Ethernet connection is disconnected from backend office
007001	Hardware component in power rectifier is broken
007002	Input voltage of power rectifier is higher than workable range
007003	Input voltage of power rectifier is lower than workable range
007004	Output voltage is higher than workable range of power rectifier
007006	The temperature of air inlet in power rectifier is higher than workable range (> 60°C)
007008	The temperature of PFC is higher than workable range
007009	The temperature of PFC is lower than workable range
00700A	The temperature of DCDC is higher than workable range
00700B	The temperature of DCDC is lower than workable range
00700C	The fan inside power rectifier is broken
00700D	Output oring diod is broken
00700E	Isolation test is failed
008003	5 volt for system controller is higher than workable range
008004	5 volt for other system modules is higher than workable range
008005	5 volt for CAN bus is higher than workable range
008006	12 volt for other system modules is higher than workable range
008007	12 volt for EV communication is higher than workable range
008008	24 volt for relay control is higher than workable range
008009	5 volt for system controller is lower than workable range
00800A	5 volt for other system modules is lower than workable range
00800B	5 volt for CAN bus is lower than workable range
00800C	12 volt for other system modules is lower than workable range
00800D	12 volt for EV communication is lower than workable range
00800E	24 volt for relay control is lower than workable range
008010	The output current of 5 volt for system controller is higher than workable range
008011	The output current of 5 volt for other system modules is higher than workable range
008012	The output current of 5 volt for CAN bus is higher than workable range
008013	The output current of 12 volt for other system modules is higher than workable range
008014	The output current of 12 volt for EV communication is higher than workable range
008015	The output current of 24 volt for relay control is higher than workable range

Alarm Code	Description
008016	The temperature of 12 volt for EV communication is higher than workable range
008017	The temperature of 5 volt for other system modules is higher than workable range
008018	The temperature of 24 volt for relay control is higher than workable range
008019	The ambient temperature of aux. power is higher than workable range
009001	GFD trigger
009003	GFD pre-warning
009004	GFD self-test fail
00A001	Input contactor 1 is welding
00A002	Input contactor 1 is driven fault
00A003	Input contactor 2 is welding
00A004	Input contactor 2 is driven fault
00A005	The positive side of output relay for CCS charging is welding
00A006	The positive side of output relay for CCS charging is driven fault
00A007	The positive side of output relay for CHAdeMO charging is welding
00A008	The positive side of output relay for CHAdeMO charging is driven fault
00A009	The negative side of output relay for CCS charging is welding
00A00A	The negative side of output relay for CCS charging is driven fault
00A00B	The negative side of output relay for CHAdeMO charging is welding
00A00C	The negative side of output relay for CHAdeMO charging is driven fault
00B001	The firmware update of aux. power module is failure
00B002	The firmware update of relay control module is failure
00B003	The firmware update of LCM module is failure
00B004	The firmware update of CCS charging module is failure
00B005	The firmware update of CHAdeMO charging module is failure
00B006	The firmware update of power converter module is failure
00C001	PLC module for CCS charging is broken
00C002	CCS proximity is disconnected
00C003	stop charging by CCS EV
00D001	No charging permission come from CHAdeMO EV
00D002	Battery malfunction come from CHAdeMO EV
00D003	Battery incompatibility with CHAdeMO EV
00D006	Present output current is different from target current
00D007	Battery OTP come from CHAdeMO EV
00D008	Present output voltage is different from target voltage
00D009	Position shift alarm is come from CHAdeMO EV
00D00A	EV other fault is come from CHAdeMO EV
00D00B	CHAdeMO connector lock is broken

Troubleshooting

- Why the screen of the DC Wall box is not on?
 1. Check if the key switch is on.
 2. Check if the two multi-function button below the screen is on.
 - a. If the buttons are not on, check if the charger is plugged into the electrical socket.
 - b. If the buttons are on, then the screen is broken. In this case, you should contact service number.

- Cannot connect to 3G/4G, what should I do?

Check if there is a pin less SIM card in the charger and if the modem cable is well plugged in.

- Connected to 3G/4G, but cannot connect to backend (Alarm 006009).
 1. Check the configuration if the OCPP setting is correct.
 2. Check if there is any trouble in the backend.

- The multi-function button cannot be operated.

Check if the light of the button and screen are on.

 - a. If the lights are off, then check if the charger is plugged into an electric socket.
 - b. If just a single button is off, then the button is broken and you should contact service number.

- Why is the DC Wall Box wobbly or unsteady after installation?

Check if the mounting bracket is secure and if the supporting wall or structure has the capability to solidly fix and support 80KG object. If the mounting bracket is secure, but the wall is not steady then you should reinstall in a steadier supporting wall that can support the EV charger.

- No charging action after swiping the RFID card.
 1. Confirm the configuration setting. Authentication mode should be by Delta Card.
 2. Use another Delta Card to retry. If the new card is successful. You should replace the other RFID card.

- What should I do if I press the emergency button by accident. (Alarm code: 00400A)

Turn and pull the red button on the left side of the charger, so that the charger can function normally again.

Specifications

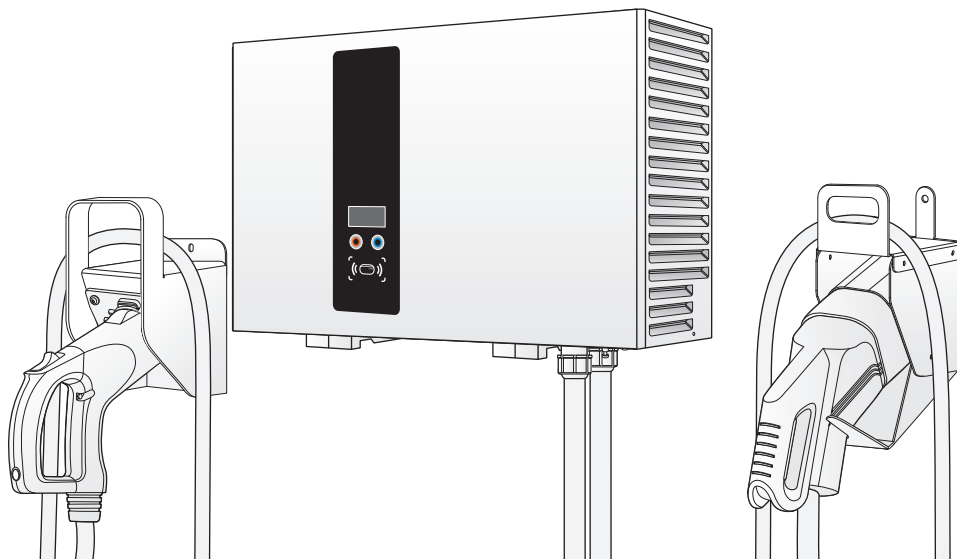
Model	EVDE25XXDXX	EVDE25XXEXX
Input rating	380-415 Vac; 50/60Hz; 50A max.	200-230 Vac; 50/60Hz; 90A max.
Wiring	3-phase/L1, L2, L3, N, PE	3-phase/L1, L2, L3, PE
Power factor	> 0.98	
Current THD	Compliant with EN61000-3-12, IEEE 519	
Efficiency	94% at nominal output power	
DC output #1	IEC CCS DC Level 2, 50-500 Vdc, 60A max., 25kW max.	
DC output #2	CHAdeMO, 50-500 Vdc, 60A max., 25 kW max.	
Protection	Over current, Under voltage, Over voltage, Surge protection, short circuit, over temperature, ground fault	
Display	2.7" OLED screen	
Push buttons	Multi-functional buttons (LED light: Orange, Blue)/Emergency stop button (Red)	
Authentication	ISO/IEC 14443 Type A/B RFID for user authentication	
Network interface	Ethernet (Standard) 3G (Standard, Micro SIM card)	
Operating temperature	-22°F to 122°F (-30°C to 50°C)	
Humidity	< 95% relative humidity, non-condensing	
Altitude	Up to 2000 m (6500 ft.)	
Ingress rating	IP55	
IK rating	IK08 according to IEC62262	
Cooling	Forced air	
Charging cable	Standard: 4 m (13.13 ft.) Optional for IEC CCS DC: 7 m (22.97 ft.)	
Dimension (W x H x D)	680 x 430 x 230 mm (27 x 17 x 9 inches)	
Weight	43 kg (95 lb), excluding plug and cable	
Certificate	IEC 61851-1, IEC 61851-23	
Electromagnetic compatibility:	IEC16000 class B FCC Part 15 class B	





DC Wallbox Chargeur

Manuel d'installation et d'utilisation



Version: 1.2.0

Date d'émission: 2020/03

TABLE DES MATIÈRES

Introduction	1
Caractéristiques	1
Applications	2
Importantes instructions de sécurité et de câblage	3
Sélection du site d'installation	3
Sécurité et conformité	3
Câblage de service	4
Avant l'installation	6
Exigences de sécurité	6
Trousse d'accessoires	6
Outils conseillés	7
Installation de la borne de charge DC Wallbox	8
Réalisation de la connexion	11
Utilisation	18
Configuration du système	20
Configuration 3G	21
Mise à jour du microprogramme	21
Maintenance	22
Garantie	22
Exigences générales de garantie	22
Mise au rebut	22
Code système	23
Dépannage	27
Caractéristiques	28

Conventions

Conventions générales

Les conventions suivantes sont utilisées dans ce manuel:



Remarque:

Indique des informations supplémentaires pertinentes par rapport au processus ou à la procédure en cours.



AVERTISSEMENT!

Le signal d'avertissement figure avant le texte auquel il se rapporte, afin de souligner que ce texte peut éviter des dommages à l'appareil ou au matériel.



ATTENTION!

LES AVIS D'ATTENTION FIGURENT AVANT LE TEXTE AUQUEL ILS SE RAPPORTENT. LES AVIS D'ATTENTION APPARAISSENT EN TOUT MAJUSCULES AFIN DE SOULIGNER QUE LE MESSAGE QUI SUIT CONTIENT DES INFORMATIONS VITALES SUR LA SANTÉ ET LA SÉCURITÉ.

Conventions typographiques

Les conventions typographiques suivantes sont utilisées dans ce document :

Italique

Les caractères en italique sont utilisés pour les titres de livres et pour les noms de répertoires, de fichiers, de chemins d'accès, de programmes et de processus.

Largeur constante

Les caractères à largeur constante indiquent des sorties d'ordinateur affichées sur un écran, telles que des menus, des invites, des réponses à des saisies ou des messages d'erreur.

Largeur constante gras

Les caractères à largeur constante gras indiquent des commandes ou des informations saisies littéralement sur l'ordinateur par un utilisateur. Les variables contenues dans les saisies d'utilisateur s'affichent entre chevrons (< >).

Italique gras

Les caractères en italique gras indiquent des touches de clavier enfoncées par l'utilisateur.

Copyright

La propriété et tous les droits de propriété intellectuelle de ce Manuel d'installation et d'utilisation (ce « Manuel »), y compris, mais sans s'y limiter, le contenu, les données et les figures ici contenues, sont acquis par Delta Electronics, Inc. (« Delta »). Ce Manuel ne peut être appliqué qu'au fonctionnement et à l'utilisation du produit. La mise au rebut, la duplication, la diffusion, la reproduction, la modification, la traduction, l'extraction ou tout autre usage de ce manuel sont interdites sans l'obtention préalable d'une autorisation écrite de Delta. Comme l'élaboration et l'amélioration du produit se poursuivront de manière permanente, Delta pourra modifier ce manuel et le mettre à jour de temps en temps, sans avis préalable. Delta fera de son mieux pour tenir ce Manuel à jour et maintenir l'exactitude de ses informations. Delta décline tout type et toute forme de garantie ou d'engagement explicite ou implicite, y compris mais sans s'y limiter au sujet de l'exhaustivité, l'exactitude, la non enfreinte, la commerciabilité ou l'adéquation à une utilisation ou dans un but particuliers.

Copyright © Delta Electronics, Inc. Tous droits réservés.

Introduction

La borne de charge DC Wallbox est actuellement la meilleure option pour alimenter les véhicules électriques à batterie (VEB) et les véhicules électriques hybrides rechargeables (VHR). Elle est conçue pour réaliser une charge rapide aussi bien à des emplacements publics que privés, comme les aires de stationnement des magasins de détail et les parkings commerciaux, les stations de charge de flotte, les aires de service des autoroutes, les lieux de travail, les lieux d'habitation, etc.

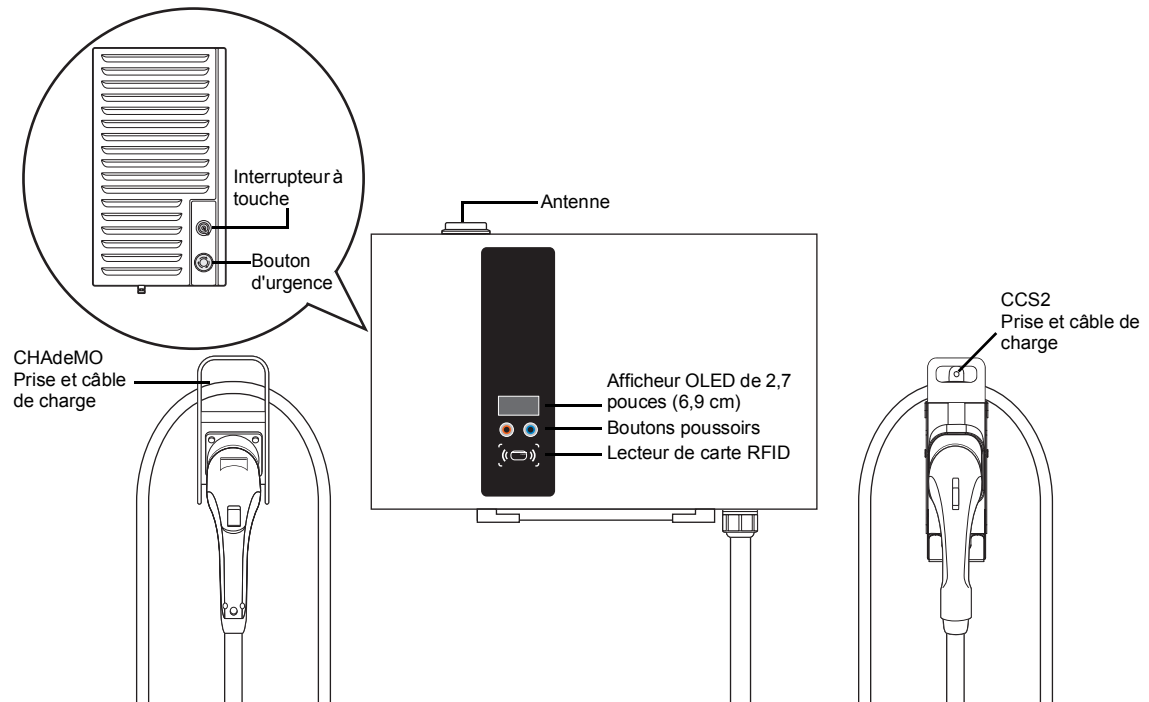
La borne de charge DC Wallbox a l'avantage d'être facile à installer. Grâce à sa conception murale et aux modules d'alimentation enfichables, son installation est peu coûteuse et très flexible, à différents types d'emplacements. La borne de charge DC Wallbox est également dotée de capacité de communication en réseau ; elle peut se connecter à des systèmes de réseaux distants et fournir aux conducteurs de voitures électriques des informations en temps réel, comme l'emplacement des stations de charge, des informations sur la progression de la charge et des informations de facturation. La borne de charge DC Wallbox possède une interface utilisateur claire avec des boutons de fonctions, un système de sécurité d'alimentation et une excellente technologie résistante à l'eau et à la poussière, qui en font la meilleure option pour les environnements en plein air. Elle peut également s'intégrer à des systèmes à énergies renouvelables, comme le solaire ou l'éolien, constituant ainsi l'infrastructure la plus économe en énergie pour le développement des systèmes de VE.

Caractéristiques

- Conception murale et modules d'alimentation enfichables apportant souplesse et facilité d'installation.
- Offre aux clients la praticité d'un contrôle total de début et de fin de charge à partir d'une carte d'identification par radiofréquence (RFID) intelligente autorisée.
- Fabriquée conformément aux dernières innovations en matière de charge CC.
- Sa tenue aux intempéries la rend résistante à la pénétration de solides et de liquides dans les installations à l'extérieur, et en fait un appareil stable et extrêmement fiable.
- Elle est équipée d'une interface à écran OLED haut contraste doté de boutons multifonctions.

Applications

- Aires de stationnement publiques et privées
- Aires de stationnement de communautés
- Parkings d'hôtels, de supermarchés et de centres commerciaux
- Parkings de lieux de travail
- Stations de charge
- Aires de repos des autoroutes



Importantes instructions de sécurité et de câblage

Sélection du site d'installation

DC Wallbox peut être installé dans des environnements intérieurs et extérieurs. Il est nécessaire de prendre en compte les conditions et la protection d'installation sur le site :

- Respecter les réglementations électriques et les normes d'installation locales
- Étudier les itinéraires d'urgence sur le site d'installation
- Ne pas installer l'appareil dans des zones d'atmosphères potentiellement explosives (zones Ex).

Sécurité et conformité

- Lisez le manuel avant d'installer ou d'utiliser l'appareil.
- Ne mettez pas d'outils ou de matières et n'introduisez aucune partie du corps dans le connecteur du véhicule électrique.
- N'utilisez pas la borne de charge DC Wallbox si le boîtier est fissuré, si le cordon d'alimentation ou le câble de charge sont effilochés, si l'isolant est cassé ou en cas de tout autre signe de dégradation.
- N'installez pas la borne de charge DC Wallbox si le boîtier est cassé, fissuré, ouvert, ou s'il présente tout autre signe de dégradation.
- La borne de charge DC Wallbox ne doit être installée que par un technicien qualifié.
- Vérifiez que les matériaux utilisés et les procédures d'installation sont conformes aux règlements locaux sur la construction et aux normes de sécurité locales.
- Les informations contenues dans ce manuel ne sauraient en aucun cas dégager l'utilisateur de la responsabilité de se conformer à tous les règlements et à toutes les normes de sécurité en vigueur.
- Le fabricant ne saurait être tenu responsable de blessures ni de dommages à des biens ou à l'appareil causés par l'installation de cet appareil.
- Ce document contient des instructions concernant la borne de charge DC Wallbox, et ne doit être utilisé pour aucun autre produit. Avant d'installer ou d'utiliser ce produit vous devez lire attentivement ce manuel, et consulter un entrepreneur ou un électricien agréé ou un installateur expert pour vous assurer de la conformité aux règlements locaux sur la construction et aux normes locales de sécurité.

Câblage de service

Mise à la terre

Raccordez toujours à la terre le neutre du service. Si l'installation électrique est dépourvue de connexion de terre, un piquet de terre devra être installé à proximité. Le piquet de terre doit être raccordé à la barre de terre du tableau électrique principal, et le neutre doit être mis à la terre à cet endroit.

380 V - 415 V triphasé



AVERTISSEMENT!

Cette alimentation provient d'un réseau électrique à montage en étoile, et la borne DC Wallbox peut être connectée à L1, L2 ou L3, et au neutre. Le neutre ne doit être relié à la terre qu'en un seul point, normalement au tableau des disjoncteurs.

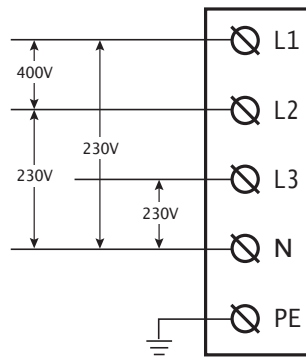


Figure 1. Connexion câblage triphasé 380 V - 415 V

200 V - 230 V triphasé



AVERTISSEMENT!

Cette alimentation provient d'un réseau électrique à montage en triangle, et la borne DC Wallbox peut être connectée à L1, L2 ou L3, et au neutre. Le neutre ne doit être relié à la terre qu'en un seul point, normalement au tableau des disjoncteurs.

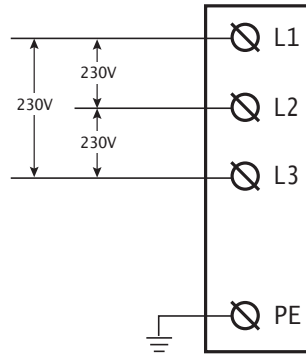


Figure 2. Connexion câblage triphasé 200 V - 230 V



AVERTISSEMENT!

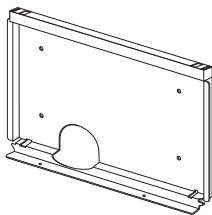
Courant de fuite important.
Il est essentiel de connecter la mise à la terre avant la mise sous tension.

Avant l'installation

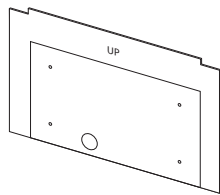
Exigences de sécurité

- Avant d'installer la borne de charge DC Wallbox, veuillez à prévoir les procédures opératoires normalisées (PON) et à vérifier les règlements locaux sur la construction et l'électricité.
- La borne de charge DC Wallbox doit être installée par un technicien qualifié, conformément aux instructions du manuel et en respectant les règlements de sécurité locaux.
- Utilisez les protections appropriées lors de la connexion au câble principal d'alimentation.
- Un sectionneur pour chaque conducteur non relié à la terre sera fourni par des tiers conformément à la norme IEC61851-1.
- Dans le cas des entrées de 380 - 480 V CA triphasé à quatre conducteurs, il faudra installer dans le tableau amont un disjoncteur de type C ou D pourvu d'un DDR quatre pôles de type A de sensibilité 30 mA et d'intensité nominale 50 A.
- Dans le cas des entrées de 200 - 230 V CA triphasé à trois conducteurs, il faudra installer dans le tableau amont un disjoncteur de type C ou D pourvu d'un DDR de type A de sensibilité 30 mA et d'intensité nominale 100 A.

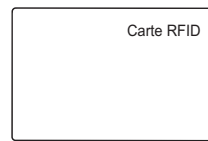
Trousse d'accessoires



1 support de montage



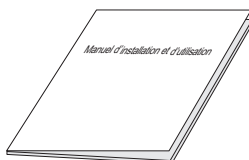
1 gabarit de montage



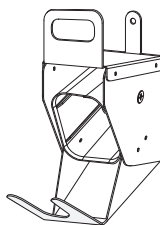
2 cartes RFID



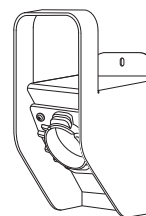
2 clés



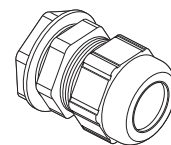
1 manuel de l'utilisateur



1 support de connecteur CCS2



1 support de connecteur CHAdeMO (modèle à deux sorties seulement)



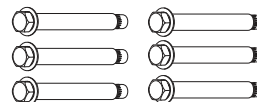
Presse-étoupe x 1



2 sachets de vis de support (VIS TÊTE CYLINDRIQUE LARGE M M6x1x8 TORX SUS NL)



1 sachet de vis de mise à la terre (VIS TÊTE 6 PANS M M6*1*12 C S+P S20C Zn-NiNI)



6 sachets de boulons à coquille d'expansion (+2 pour le modèle à deux sorties) (ANCRAGE SUS 16x50.8 PICKLING)

Outils conseillés

Les outils suivants sont conseillés pour l'installation de la borne de charge DC Wallbox :

- 1 voltmètre ou un multimètre numérique
- 1 niveau à bulle
- 1 marteau
- 1 perceuse pour béton
- 1 pince à couper et dénuder les fils électriques
- 1 tournevis Torx® inviolable T15 et T25
- 1 tournevis plat No 8 et une clé à douille
- 1 tournevis plat No 6
- 1 tournevis cruciforme No 2
- 1 tournevis cruciforme No 3
- 1 entrée de conduit et 1 conduit M50, et une clé pour les conducteurs de l'alimentation principale
- 1 entrée de conduit et 1 conduit M25, et une clé pour Ethernet
- 4 cosses à anneau RNB14-6 pour fils L1, L2, L3 et N (fil de cuivre de 14 mm²) pour les modèles à entrée triphasée de 380-415
- 3 cosses à anneau RNB38-6 pour fils L1, L2, L3 (fil de cuivre de 38 mm²) pour les modèles à entrée triphasée de 200-230 V
- 1 cosse à anneau RNB14-6 pour le fil de terre PE (fil de cuivre 14 mm²)

Importantes consignes de sécurité.

Conservez ces instructions.

- La borne de charge Wallbox CC ne doit être installée que par un entrepreneur ou un électricien autorisé, conformément à tous les codes et toutes les normes sur l'électricité en vigueur à l'échelle locale, régionale ou nationale.
- Avant d'installer la borne de charge Wallbox CC, lisez attentivement ce manuel et consultez un entrepreneur et un électricien autorisés et un installateur expérimenté afin d'assurer la conformité avec les pratiques locales de construction, les conditions climatiques, les normes de sécurité et les codes nationaux et locaux.



AVERTISSEMENT!

Risque de décharge électrique ou de blessures. Coupez le courant au tableau électrique ou au centre de charge avant de travailler à l'intérieur de l'appareil ou de retirer un composant. Ne retirez aucun dispositif de protection ni aucun autre composant avant d'avoir coupé le courant.



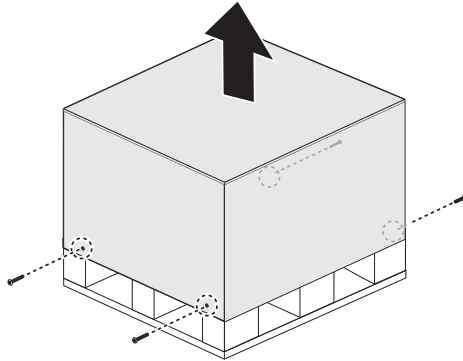
ATTENTION!

POUR ÉVITER DES DOMMAGES AU CHARGEUR OU DES BLESSURES, VÉRIFIEZ QUE LE LIEU D'INSTALLATION PEUT SUPPORTER LE POIDS DE LA BORNE DE CHARGE DC WALLBOX.

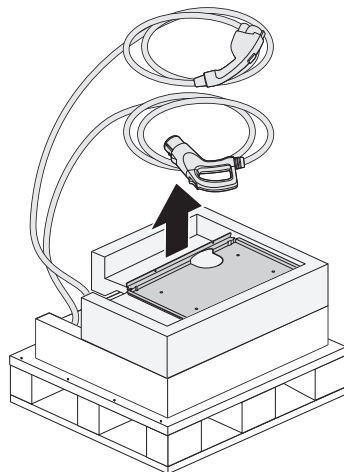
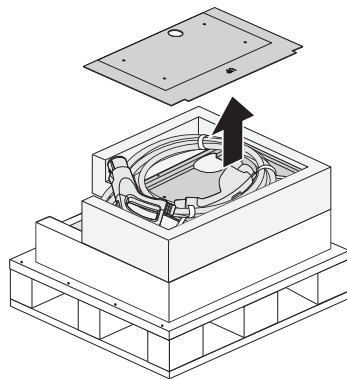
Installation de la borne de charge DC Wallbox

Préparation

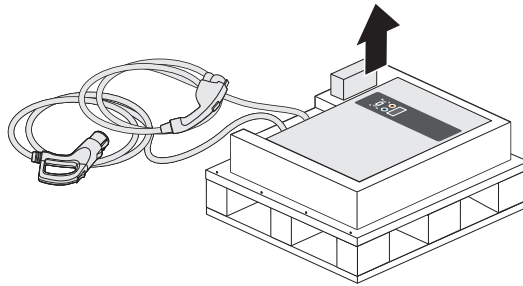
1. Desserrez les vis de la caisse à claire-voie (des deux côtés) avec une clé à douille No 8.
2. Ouvrez le couvercle supérieur de la caisse ajourée en contreplaqué.



3. Sortez le gabarit de montage et coupez les serre-câbles pour déplacer le connecteur de charge.



4. Enlevez la mousse du dessus, ouvrez le sac en plastique et sortez l'appareil unit.

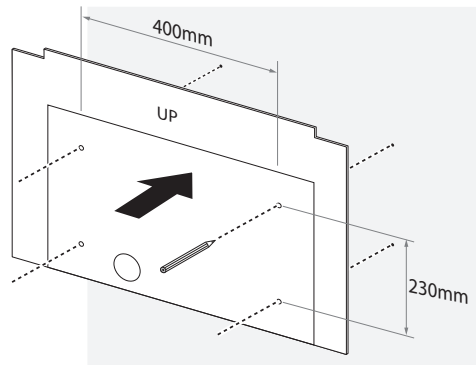


Remarque:

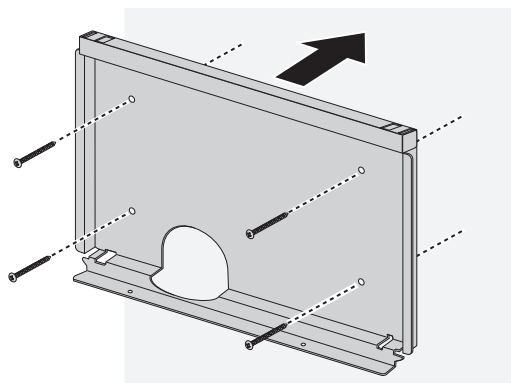
Pour le moment, posez avec précaution l'appareil et le connecteur de charge par terre ou sur une surface plane.

Montage mural

1. Utilisez le gabarit et l'outil de nivellement pour marquer la position de montage.



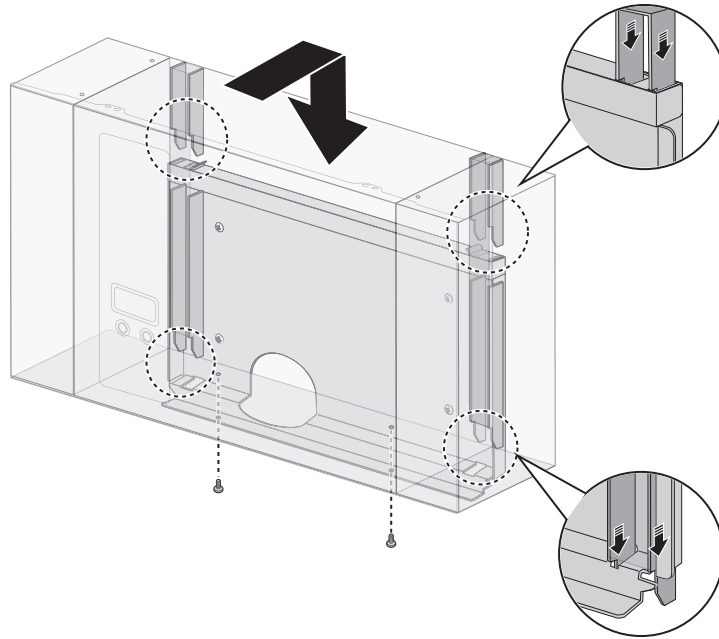
2. Fixez le support au mur.



Remarque:

- L'appareil doit être installé sur un mur solide (en béton ou en métal de préférence).
- Utilisez les boulons à coquille d'expansion de la trousse d'accessoires, ou choisissez des vis d'ancrage appropriées selon le type de mur. A Une foreuse pourra être nécessaire dans certains cas.
- L'appareil doit être monté à une hauteur suffisante pour que le rangement se trouve **entre 60 cm et 1,20 m (entre 24 pouces et 4 pieds)** du sol, conformément à l'article 625 du code national électrique (NEC).

3. Placez l'appareil sur le support. Alignez le châssis du dos de l'appareil sur la fente correspondante du support. Laissez descendre doucement l'appareil jusqu'à ce qu'il soit fermement appuyé sur le support. Serrez les deux vis par en dessous.



Remarque:

Les vis de fixation inférieures se trouvent dans la trousse d'accessoires.

Réalisation de la connexion

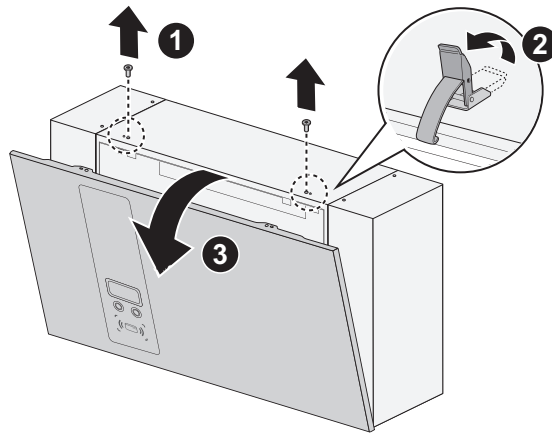


AVERTISSEMENT!

Pour sécuriser ou retirer les vis, utilisez uniquement un tournevis **Torx® inviolable T15**. L'utilisation de tout autre outil pourrait endommager les vis et le panneau.

Câblage de l'alimentation

1. Pour câbler, ouvrez le panneau avant.
 - a. Libérez les deux vis du dessus.
 - b. Libérez les loquets afin d'ouvrir le panneau avant.
 - c. Déposez le panneau avant avec précaution.



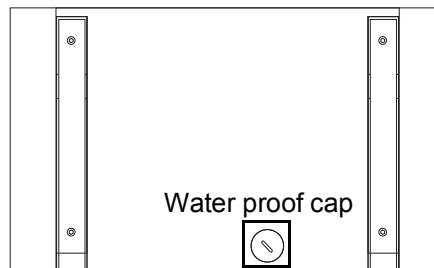
2. Vous pouvez acheminer les câbles d'alimentation par le dessous ou par l'arrière du boîtier. Sélectionnez le lieu d'acheminement des câbles d'alimentation.

Câblage par en dessous :

- a. Amenez les câbles depuis le bas. Avant de fixer, vérifiez que la longueur des câbles suffit pour atteindre les connecteurs.
- b. Continuez à fixer les câbles. Voyez l'étape suivante.

Câblage par derrière:

- a. Enlevez le couvercle étanche de l'arrière du boîtier et insérez-le au point d'accès des câbles au bas du boîtier.



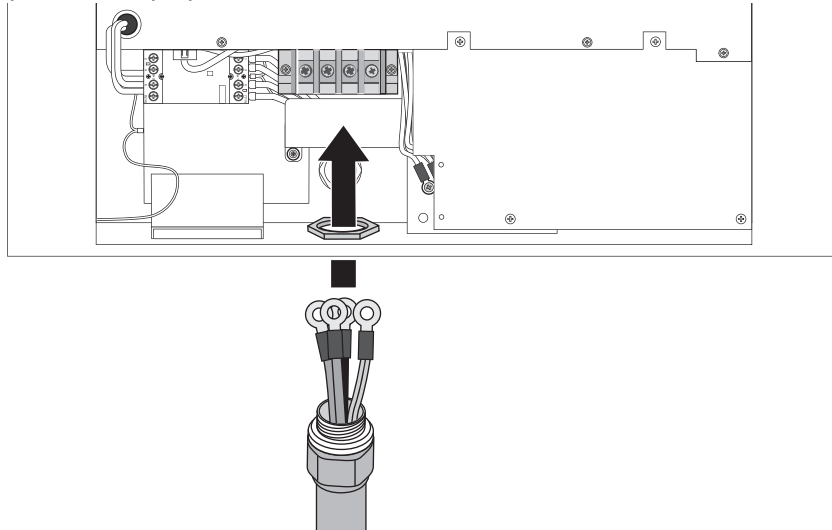
- b. Passez aux étapes suivantes.



ATTENTION!

LE CÂBLAGE-PAR L'ARRIÈRE PEUT CRÉER UN RISQUE DE FUITE D'EAU. N'UTILISEZ PAS CE MODE DE CÂBLAGE À L'EXTÉRIEUR.

3. Serrez les presse-étoupe pour fixer les câbles.



Remarque:

Pour la protection des passe-câbles contre les intempéries, utilisez **des presse-étoupe certifiés IP55 ou supérieurs**.

4. Enlevez le couvercle du bornier et branchez les fils sur les bornes correctes. Voyez les informations qui suivent sur les connexions de modèles spécifiques.

Les exigences pour le câblage varient suivant les modèles, et notamment entre les modèles monophasés et triphasés.

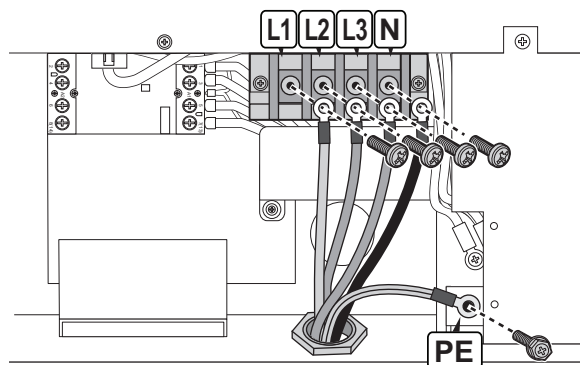


AVERTISSEMENT!

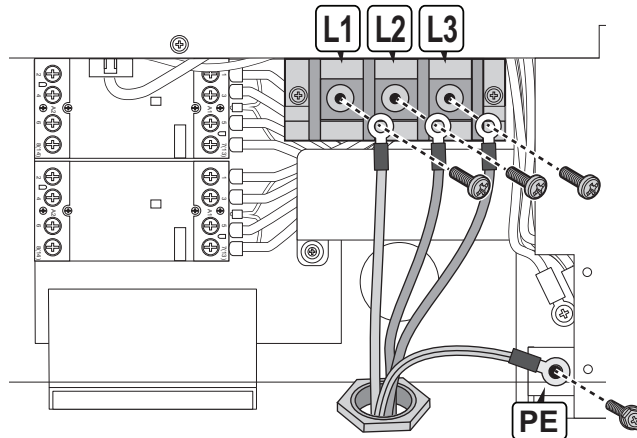
Le code de couleurs des câbles peut être différent d'une région à l'autre.

Triphasé

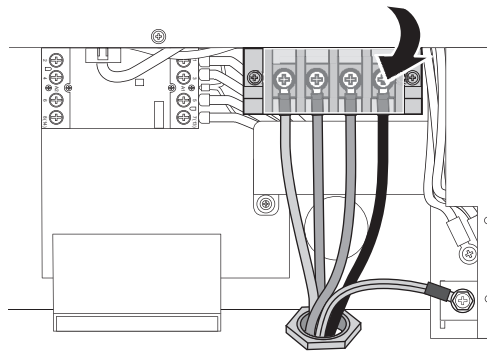
Câblage des fils 380-415 V CA



- Utilisez une entrée de conduite et des conduites de taille M50 conformes EN 61386-24.
- Branchez les quatre câbles d'alimentation à cosses à anneau RNB14-6 aux bornes d'entrée marquées L1, L2, L3 et N à l'aide de quatre vis M6.0, et serrez à 33 kg·cm.
- Branchez le câble de terre du RNB14-6 à la borne de terre marquée du symbole de mise à la terre (⊕) à l'aide d'une vis M6.0, et serrez à 20 kg·cm.

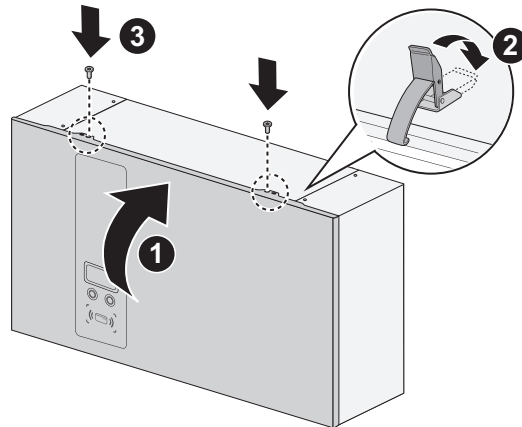
Câblage des fils 200-230 V CA

- Utilisez une entrée de conduite et des conduites de taille M50 conformes EN 61386-24.
 - Branchez les trois câbles d'alimentation à cosses à anneau avec œillets de câbles RNB38-6 aux bornes d'entrée marquées L 1, L2 et L3 à l'aide de trois vis M6.0, et serrez à 33 kg-cm.
 - Branchez le câble de terre du RNB14-6 à la borne de terre marquée du symbole de mise à la terre (\oplus) à l'aide d'une vis M6.0, et serrez à 20 kg-cm.
5. Fixez chaque câble avec la vis appropriée. Veillez à serrez les vis aux couples indiqués. Voyez la liste d'informations.
 6. Remettez le couvercle du bornier.

**ATTENTION!**

VÉRIFIEZ QUE LA CONDUITE DES CÂBLES EST ALIGNÉE AVEC L'ORIFICE D'ENTRÉE DES CÂBLES DE LA BORNE DE CHARGE DC WALLBOX AVANT D'EFFECTUER L'INSTALLATION. L'OMISSION DE CETTE PRÉCAUTION POURRAIT ENTRAÎNER DES DOMMAGES AUX CÂBLES OU À LA BORNE DE CHARGE.

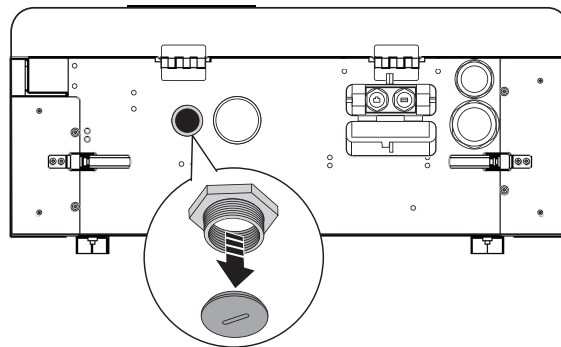
7. Remettez en place le panneau avant et resserrez fermement les vis.



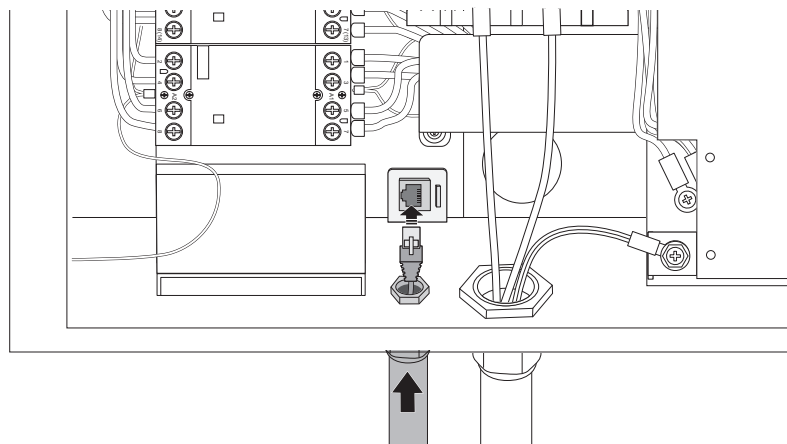
Connexion Ethernet

Il est recommandé de brancher les câbles Ethernet aux ports d'accès du dessous. Pour ce faire, il faut ouvrir le panneau avant.

1. Retirez le bouchon étanche du port d'accès Ethernet.



2. Passez le câble dans le port et branchez le câble Ethernet à la borne.
3. Serrez le conduit ou le presse-étoupe pour fixer le câble.

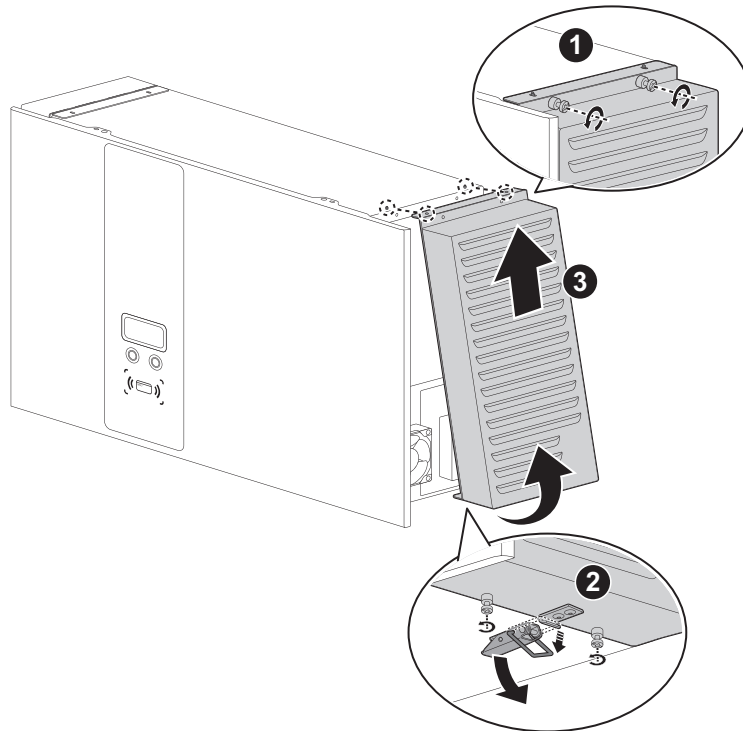


Remarque:

Pour la protection des passe-câbles contre les intempéries, utilisez **des presse-étoupe certifiés IP55 ou supérieurs**.

Connexion 3G

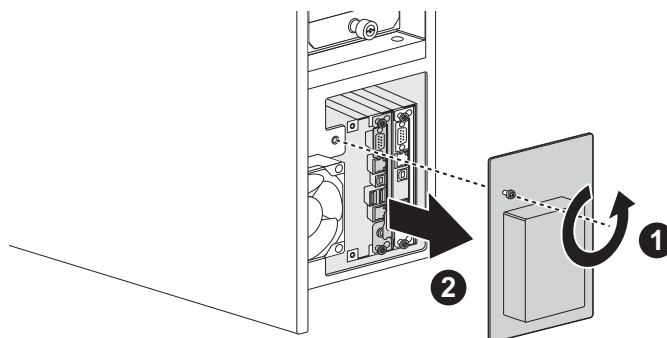
1. Enlevez le couvercle du filtre de droite.
 - a. Retirez les vis du dessus.
 - b. Libérez les vis du dessous et tirez sur le loquet pour le libérer.
 - c. Ouvrez et enlevez le couvercle du filtre.



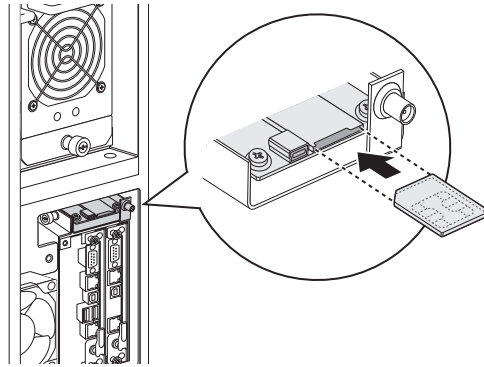
AVERTISSEMENT!

Pour fixer ou retirer les vis, utilisez uniquement un tournevis **Torx® inviolable T25**. Tout autre outil pourrait endommager les vis et le panneau.

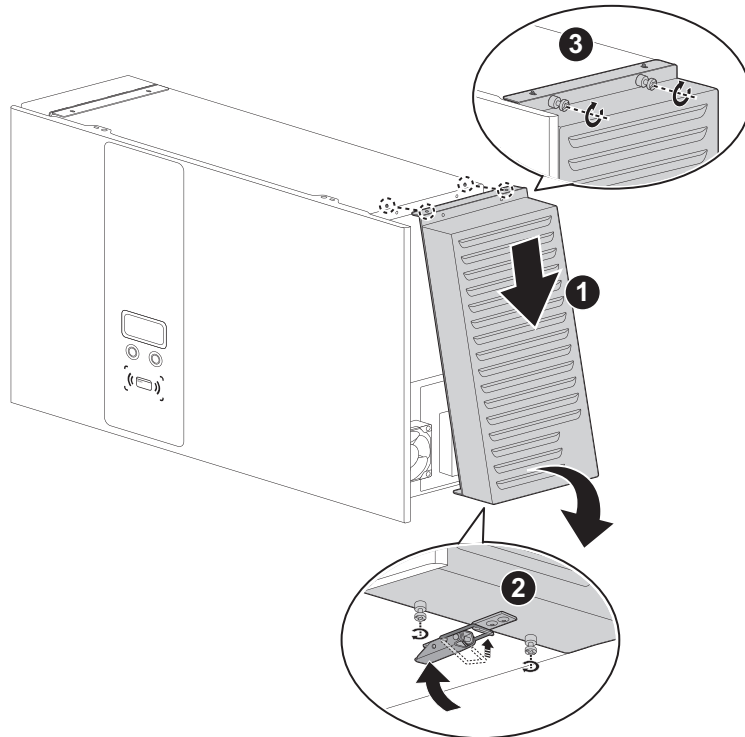
2. Enlevez le panneau de protection du côté droit.



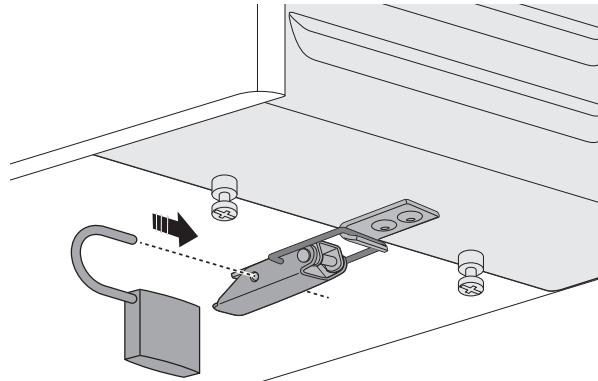
3. Insérez la carte micro SIM dans la carte 3G. Remettez et resserrez le panneau de protection.



4. Remettez le couvercle du filtre de droite.
 - a. Suspendez le couvercle du filtre sur l'appareil.
 - b. Tirez la goupille vers le bas et remettez en place le couvercle du filtre.
 - c. Serrez les vis du bas.
 - d. Serrez les vis du haut.

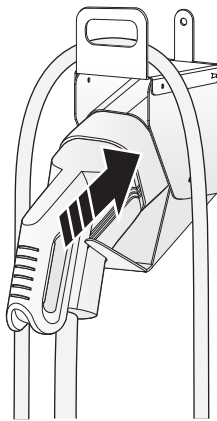


- e. Fermez le verrou en bas. Le verrou dispose d'un trou de 3,3 mm de diamètre afin d'y insérer un cadenas pour éviter toute altération.

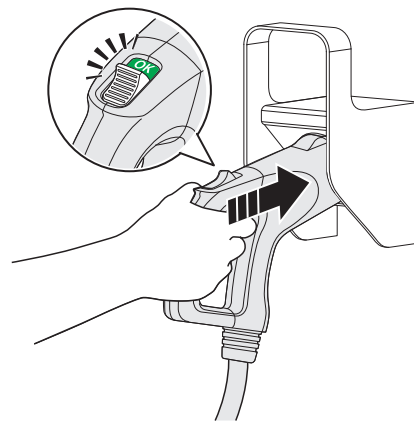


Installation de la prise de charge

1. Fixez au mur le support de suspension de la prise de charge.
2. Placez le câble de charge et branchez-le correctement sur le support de suspension.



IEC DC (CCS2)

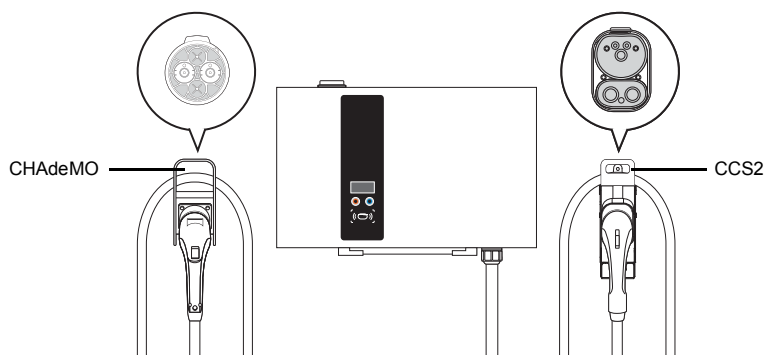


CHAdeMO - modèle à deux sorties seulement

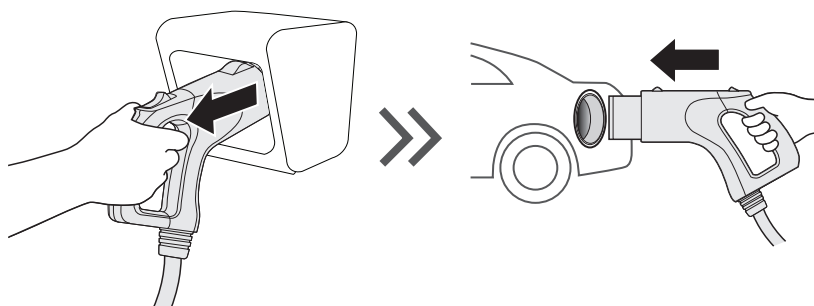
3. Une fois toutes ces étapes accomplies, donnez le courant et tournez la clé pour initialiser la Wallbox CC.

Utilisation

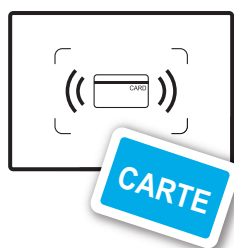
1. Choisissez votre langue préférée.
2. Choisissez une prise compatible (CCS ou CHAdeMO).



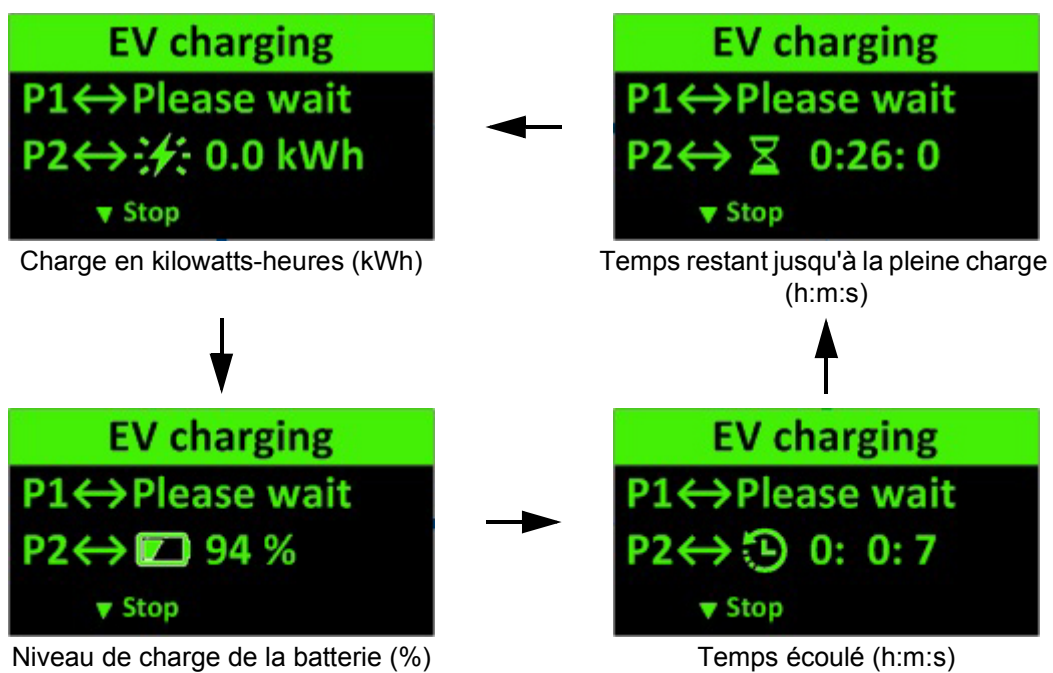
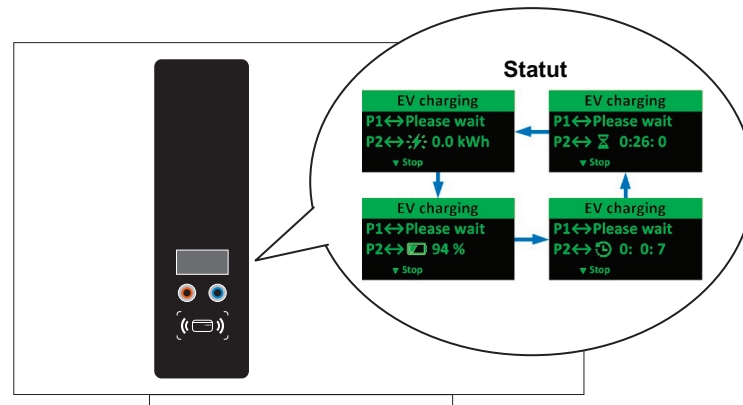
3. Branchez la prise sur le VE.



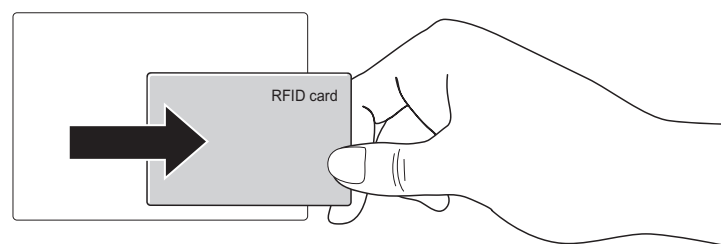
4. Passez la carte RFID autorisée pour commencer la charge. La RFID autorisée peut être utilisée directement sans aucune activation ou réglage.



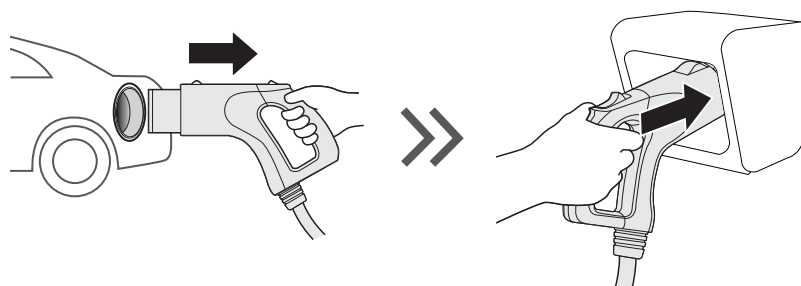
5. Dès que la charge commence, les infos sur le statut s'affichent à l'écran. Les illustrations suivantes montrent la procédure de charge du début jusqu'à près de la fin.



6. Passez la carte RFID autorisée pour arrêter la charge.



7. Remettez la prise sur le support.



Configuration du système

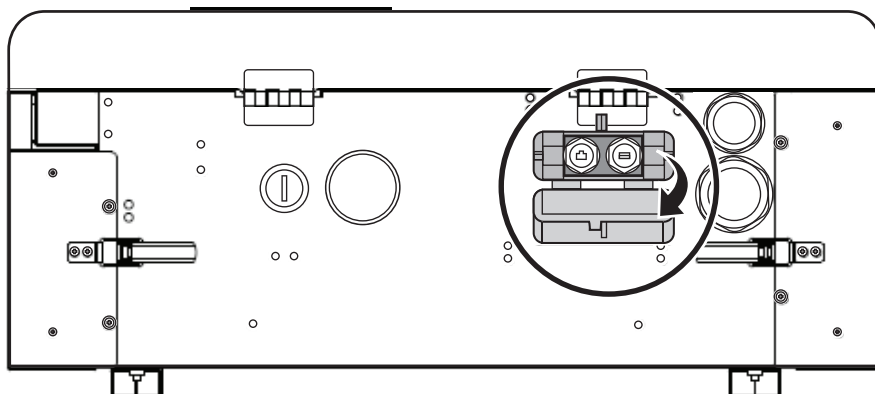


AVERTISSEMENT!

Ne configurez la borne de charge que si elle n'est pas en mode de charge, afin d'éviter d'interrompre une charge en cours.

Étapes:

1. Contactez le fournisseur de services pour vous connecter à l'outil de configuration en ligne.
2. Une fois la configuration terminée, copiez le fichier des paramètres (DeltaDCWallboxConfig) dans la racine d'une clé USB (le format du fichier doit être FAT ou FAT32).
3. Insérez la clé USB dans le port USB du bas de l'appareil (il est marqué USB). La configuration sera alors téléchargée vers le Wallbox CC.



4. Une fois la configuration terminée, retirez la clé USB.

USB inserted
Configuration...



USB inserted
Configuration OK

5. Fermez le capot de protection. Le couvercle dispose d'un trou y insérer un cadenas pour éviter toute altération.

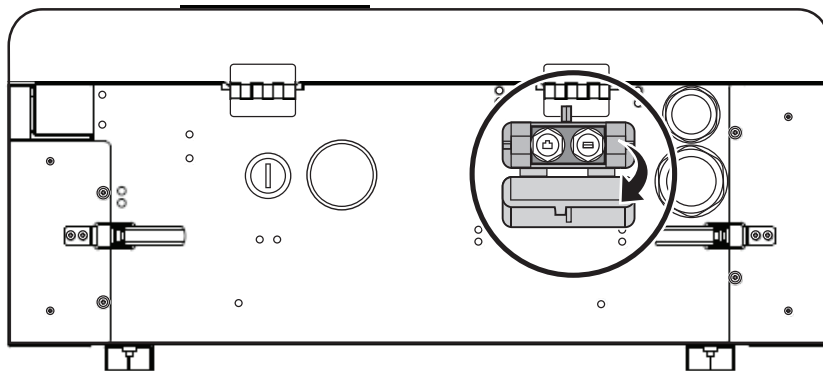
Configuration 3G

Pour les modèles équipés d'un modem 3G, insérez une carte SIM 3G (WCDMA) valide comme expliqué à des étapes précédentes (page 15) afin de démarrer la connexion 3G. Consultez l'opérateur local pour activer d'abord le service de données sur la carte SIM. Désactivez le contrôle par code PIN dans la carte SIM avant d'insérer celle-ci dans le modem. Demandez à l'opérateur les informations sur le nom du point d'accès et vérifiez que ce nom est configuré correctement à l'aide de l'outil de configuration.

Mise à jour du microprogramme

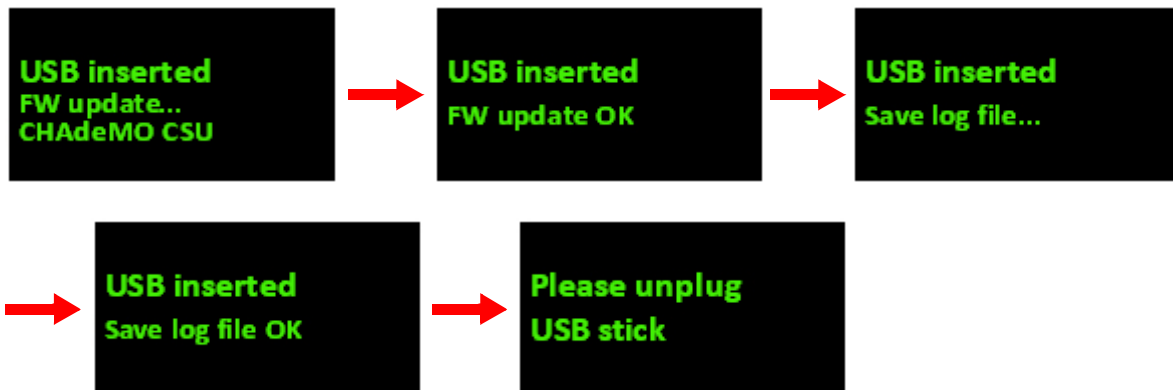
Les mises à jour du microprogramme peuvent se faire par le port USB situé au bas du boîtier.

1. Procurez-vous une clé USB. Cette clé doit être au format FAT ou FAT32.
2. Insérez la clé USB dans le port USB du bas de l'appareil (il est marqué USB).



Le microprogramme mis à jour est alors téléchargé dans le Wallbox CC.

Le statut s'affiche sur le panneau.



3. Lorsque le système termine la procédure de mise à jour, il redémarre automatiquement.
4. Fermez le capot de protection. Le couvercle dispose d'un trou y insérer un cadenas pour éviter toute altération.

Maintenance

Tous les six mois

1. Remplacez le filtre de ventilation.
2. Inspectez visuellement le câble de charge et vérifiez qu'il ne présente aucun dommage ni déformation.
3. Inspectez visuellement le câble de charge et vérifiez qu'il ne présente aucun dommage, aucun signe d'arc électrique et aucune trace d'oxydation.



AVERTISSEMENT!

Pour éviter tout risque de décharge électrique ou de blessures, coupez le courant au tableau ou au centre de charge avant de travailler à l'intérieur de l'appareil ou de retirer un composant. Ne retirez pas les dispositifs de protection des circuits ni aucun autre composant avant d'avoir coupé le courant.

Déconnectez l'alimentation de la borne Wallbox CC avant toute opération de maintenance, en vous assurant qu'elle soit séparée de l'alimentation secteur. Le manquement à cette consigne peut être cause de blessures ou de dommages au système électrique ou à l'appareil de charge.



Remarque:

- Avant de couper le courant depuis le disjoncteur général, enregistrez le code d'erreur affiché sur l'écran.
- Même si l'interrupteur à clé est coupé, le circuit en amont de la borne secteur est encore dangereux. À ce moment-là, ne pratiquez qu'une inspection visuelle.
- La maintenance de la Wallbox CC ne doit être effectuée que par des techniciens qualifiés.
- Après l'ouverture de la porte avant, coupez le disjoncteur principal et le disjoncteur auxiliaire avant toute intervention de maintenance.

Garantie

Exigences générales de garantie

Delta garantit que les produits seront exempts de défauts de matériaux et de fabrication pendant une période de deux ans pour EVSE à partir du S / N estampillé sur le produit par l'acheteur initial de Delta Company. Cette garantie s'applique uniquement à l'acheteur initial et n'est pas transférable à un tiers.

Mise au rebut

Après avoir mis hors service correctement l'appareil, veuillez le faire éliminer par le service clientèle conformément aux réglementations en vigueur en matière d'élimination des déchets. Les appareils électriques et électroniques, y compris les accessoires, doivent être éliminés séparément des déchets généraux.



Recyclez tous les matériaux d'emballage qui sont en matériaux recyclables tels que le papier, le carton, le bois, etc., et jetez les autres matériaux d'emballage non recyclables dans la poubelle. Vous pouvez apporter une contribution significative à la protection de notre environnement en réutilisant ou en recyclant les matériaux.

Code système

Code d'alarme	Description
004001	La tension d'entrée au système est supérieure à la plage de travail (> 305 volts)
004002	La tension d'entrée au système (L2 ou L3) est inférieure à la plage de travail (< 170 volts)
004003	La tension de sortie du système est supérieure à la tension maximale de la batterie du VE.
004004	La tension de sortie exigée par le VE est supérieure à la capacité actuelle du matériel d'approvisionnement du véhicule électrique (EVSE)
004005	La température de l'admission d'air ou du contacteur d'entrée dépasse la plage de travail (> 60 °C)
004006	La température de la prise de charge combinée CCS est au-dessus de la plage de travail <ul style="list-style-type: none"> ● REMA => (> 85 °C) ● Phoenix => (> 75 °C)
004007	Le filtre à air doit être remplacé
004008	Le ventilateur du système est faible et doit être remplacé
004009	L'auto-test du contrôleur du système a échoué
00400A	Le bouton d'urgence a été actionné
00400B	L'autorisation de l'utilisateur depuis le serveur a échoué
00400C	L'autorisation de l'utilisateur par l'EVSE lui-même a échoué
00400D	Le capteur de température de l'admission d'air est cassé
00400E	Le capteur de température du contacteur d'entrée est cassé
00400F	Déclenchement du SPD
004010	Le fusible de sortie côté CCS est cassé
004011	Le fusible de sortie côté CHAdeMO est cassé
004012	Le capteur de température de la prise de charge combinée du CCS est cassé
004013	La température de l'admission d'air ou du contacteur d'entrée est en dessous de la plage de travail (> -40 °C)
004014	L'utilisateur arrête la charge
004017	Le système accorde un délai de 3 minutes à l'utilisateur pour se brancher une fois autorisé
004018	Temps de charge écoulé (max. : 2 h)
004019	Stockage de données du système insuffisant
004020	Erreur inconnue
004021	La charge a été interrompue à distance par le système interne
004022	La tension d'entrée a chuté (<20 V, <100 ms)
004023	La tension d'entrée de L1 est inférieure à la plage de travail (< 170 volts)
005001	La communication avec le VE CHAdeMO est perdue

Code d'alarme	Description
005005	La communication avec le VE CCS est perdue
005006	Le redresseur d'alimentation est cassé (SMR)
005007	La communication avec le contrôleur CCS est perdue
005008	La communication avec le module d'alimentation auxiliaire est perdue
005009	La communication avec le module de contrôle des relais est perdue
00500C	La communication avec le module d'affichage est perdue
00500D	La communication avec le module RFID est perdue
00500E	Le module 3G n'est pas prêt (le module lui-même ou la carte SIM)
00500F	Le module WiFi n'est pas prêt
006001	La connexion 3G est déconnectée du PA
006002	La connexion 3G est déconnectée d'Internet
006003	La connexion 3G est déconnectée du bureau en arrière-plan
006008	La connexion Ethernet est déconnectée d'Internet
006009	La connexion Ethernet est déconnectée du bureau en arrière-plan
007001	Un composant matériel du redresseur d'alimentation est cassé
007002	La tension d'entrée du redresseur d'alimentation est hors plage vers le haut
007003	La tension d'entrée du redresseur d'alimentation est hors plage vers le bas
007004	La tension de sortie est au-dessus de la plage de travail du redresseur d'alimentation
007006	La température de l'admission d'air du redresseur d'alimentation est hors plage vers le haut (> 60 °C)
007008	La température du PFC est hors plage vers le haut
007009	La température du PFC est hors plage vers le bas
00700A	La température du DCDC est hors plage vers le haut
00700B	La température du DCDC est hors plage vers le bas
00700C	Le ventilateur situé dans le redresseur d'alimentation est cassé
00700D	La diode torique de sortie est cassée
00700E	Le test d'isolation a échoué
008003	Les 5 volts pour le contrôleur du système sont hors plage vers le haut
008004	Les 5 volts pour d'autres modules du système sont hors plage vers le haut
008005	Les 5 volts pour le bus CAN sont hors plage vers le haut
008006	Les 12 volts pour d'autres modules du système sont hors plage vers le haut
008007	Les 12 volts pour les communications du VE sont hors plage vers le haut
008008	Les 24 volts pour le contrôle des relais sont hors plage vers le haut
008009	Les 5 volts pour le contrôleur du système sont hors plage vers le bas
00800A	Les 5 volts pour d'autres modules du système sont hors plage vers le bas
00800B	Les 5 volts pour le bus CAN sont hors plage vers le bas
00800C	Les 12 volts pour d'autres modules du système sont hors plage vers le bas

Code d'alarme	Description
00800D	Les 12 volts pour les communications du VE sont hors plage vers le bas
00800E	Les 24 volts pour le contrôle des relais sont hors plage vers le bas
008010	L'intensité de sortie des 5 volts pour le contrôleur du système est hors plage vers le haut
008011	Le courant de sortie des 5 volts pour d'autres modules du système est hors plage vers le haut
008012	L'intensité de sortie des 5 volts pour le bus CAN est hors plage vers le haut
008013	L'intensité de sortie des 12 volts pour d'autres modules du système est hors plage vers le haut
008014	L'intensité de sortie des 12 volts pour les communications du VE est hors plage vers le haut
008015	L'intensité de sortie des 24 volts pour le contrôle des relais est hors plage vers le haut
008016	La température des 12 volts pour les communications du VE est hors plage vers le haut
008017	La température des 5 volts pour d'autres modules du système est hors plage vers le haut
008018	La température des 24 volts pour le contrôle des relais est hors plage vers le haut
008019	La température ambiante de l'alimentation auxiliaire est hors plage vers le haut
009001	Déclenchement du GFD
009003	Pré-alerte GFD
009004	L'autotest du GFD a échoué
00A001	Le contacteur d'entrée 1 est en train de se souder
00A002	Le contacteur d'entrée 1 lance un défaut
00A003	Le contacteur d'entrée 2 est en train de se souder
00A004	Le contacteur d'entrée 2 lance un défaut
00A005	Le côté positif du relais de sortie pour la charge CCS est en train de se souder
00A006	Le côté positif du relais de sortie pour la charge CCS lance un défaut
00A007	Le côté positif du relais de sortie pour la charge CHAdeMO est en train de se souder
00A008	Le côté positif du relais de sortie pour la charge CHAdeMO lance un défaut
00A009	Le côté négatif du relais de sortie pour la charge CCS est en train de se souder
00A00A	Le côté négatif du relais de sortie pour la charge CCS lance un défaut
00A00B	Le côté négatif du relais de sortie pour la charge CHAdeMO est en train de se souder
00A00C	Le côté négatif du relais de sortie pour la charge CHAdeMO lance un défaut
00B001	La mise à jour du microprogramme du module d'alimentation auxiliaire a échoué
00B002	La mise à jour du microprogramme du module de contrôle des relais a échoué
00B003	La mise à jour du microprogramme du module LCM a échoué
00B004	La mise à jour du microprogramme du module de charge du CCS a échoué
00B005	La mise à jour du microprogramme du module de charge CHAdeMO a échoué

Code d'alarme	Description
00B006	La mise à jour du microprogramme du module de conversion de puissance a échoué
00C001	Le module PLC pour la charge CCS est cassé
00C002	La proximité CCS est déconnectée
00C003	Arrêt de la charge par le VE CCS
00D001	Pas de permission de charge provenant du VE CHAdeMO
00D002	Mauvais fonctionnement de la batterie provenant du VE CHAdeMO
00D003	Incompatibilité de la batterie avec le VE CHAdeMO
00D006	L'intensité de sortie actuelle est différente de l'intensité de consigne
00D007	OTP de la batterie provenant du VE CHAdeMO
00D008	La tension de sortie actuelle est différente de la tension de consigne
00D009	Alarme de décalage de la position provenant du VE CHAdeMO
00D00A	Un autre défaut du VE provient du VE CHAdeMO
00D00B	Le verrou du connecteur CHAdeMO est cassé

Dépannage

- Pourquoi l'écran du boîtier mural DC n'est pas allumé?
 1. Vérifiez que l'interrupteur à clé est activé.
 2. Vérifiez si les deux boutons multifonctions sous l'écran sont activés.
 - a. Si les boutons ne sont pas activés, vérifiez si le chargeur est branché à la prise électrique.
 - b. Si les boutons sont activés, l'écran est donc défectueux. Dans ce cas, appelez le numéro du service clientèle.

- Impossible de se connecter à la 3G / 4G, que dois-je faire ?

Vérifiez s'il y a une carte SIM sans broches dans le chargeur et si le câble du modem est bien branché.

- Connecté à 3G / 4G, mais ne peut être connecté au backend (alarme 006009).
 1. Vérifiez la configuration si le paramètre OCPP est correct.
 2. Vérifiez s'il y a un problème dans le backend..

- Le bouton multifonction ne peut pas être utilisé.

Vérifiez si l'éclairage du bouton et de l'écran est activé.

 - a. S'il n'y a pas d'éclairage, vérifiez si le chargeur est branché à la prise électrique.
 - b. Si un seul bouton est désactivé, le bouton est défectueux et vous devez contacter le numéro du service clientèle.

- Pourquoi le boîtier mural DC est-il branlant ou instable après l'installation?

Vérifiez si le support de montage est sécurisé et si le mur ou la structure de support a la capacité de fixer solidement et de soutenir un objet de 80 kg. Si le support de montage est sécurisé, mais que le mur n'est pas stable, vous devez le réinstaller sur un mur de support plus stable pouvant supporter le chargeur EV.

- Pas d'action de charge après avoir glissé la carte RFID
 1. Confirmez les paramètres de configuration. Le mode d'authentification doit être réalisé par Delta Card.
 2. Réessayez avec une autre carte Delta. Si celle-ci est appropriée. Vous devez remplacer l'autre carte RFID.

- Que dois-je faire si j'appuie sur le bouton d'urgence par erreur. (Code d'alarme : 00400A)

Tournez et tirez le bouton rouge sur le côté gauche du chargeur, pour que le chargeur puisse à nouveau fonctionner normalement.

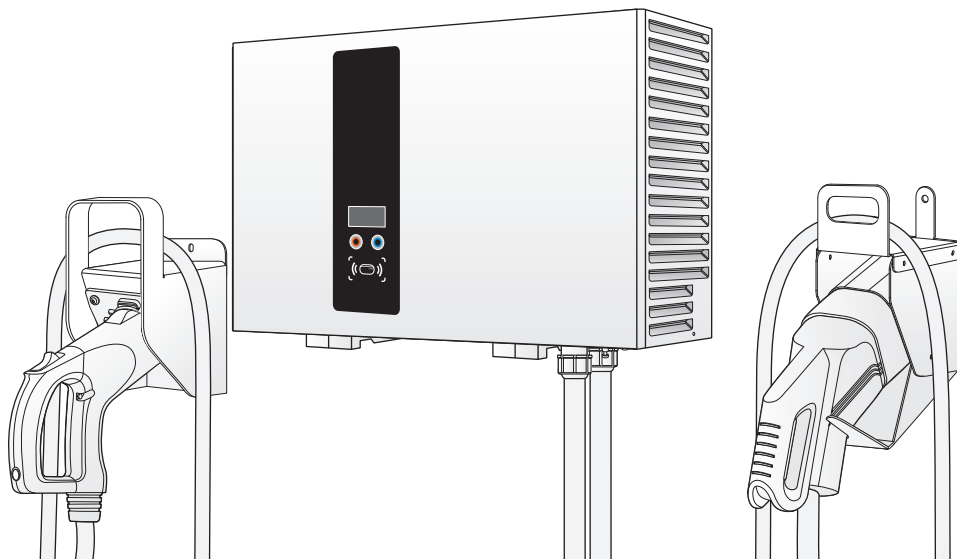
Caractéristiques

Modèle	EVDE25XXDXX	EVDE25XXEXX
Entrée nominale	380-415 V CA ; 50/60 Hz ; 50 A max.	200-230 V CA ; 50/60 Hz ; 90 A max.
Câblage	Triphasé / L1, L2, L3, N, PE	Triphasé / L1, L2, L3, PE
Facteur de puissance	> 0,98	
DHT de l'intensité	Conforme EN61000-3-12, IEEE 519	
Rendement	94 %	
Sortie CC No 1	IEC CCS CC niveau 2, 50-500 V CC, 60 A max., 25 kW max.	
Sortie CC No 2	CHAdEMO, 50-500 V CC, 60 A max., 25 kW max.	
Protection	Surintensité, sous-tension, surtension, protection contre les surtensions, court-circuit, surchauffe, défaut à la terre	
Affichage	Écran OLED de 2,7 pouces (6,9 cm)	
Boutons poussoirs	Boutons multifonctions (voyant LED : Orange, bleu) / Bouton d'arrêt d'urgence (rouge)	
Authentification	RFID de type A/B ISO/IEC 14443 pour l'authentification de l'utilisateur	
Interface réseau	Ethernet (standard) ; Cellular (en option, carte micro SIM)	
Température de service	De -30 à +50 °C (de -22 à +122 °F)	
Humidité	HR < 95 % non condensante	
Altitude	Jusqu'à 2000 m (6500 pieds)	
Indice de protection conte la pénétration	IP55	
Indice de protection IK	IK08 selon la norme IEC62262	
Refroidissement	Forcé par circulation d'air	
Câble de charge	Standard: 4 m En option: IEC CCS DC 7 m	
Dimensions (La x H x P)	680 x 430 x 230 mm (27 x 17 x 9 in)	
Poids	43 kg (95 lb), prise et câble non compris	
Certificat	IEC 61851-1, IEC 61851-23	
Compatibilité électromagnétique:	IEC16000 classe B FCC Partie 15 classe B	



DC Wallbox-Ladegerät

Installations- und Bedienungshandbuch



Version: 1.2.0

Ausgabedatum: 2020/03

INHALTSVERZEICHNIS

Einführung	1
Merkmale	1
Anwendungen	2
Wichtige Sicherheits- und Verkabelungshinweise	3
Auswahl des Installationsstandorts	3
Sicherheit und Konformität	3
Verdrahtung	4
Vor der Installation	5
Schutz	5
Zubehörset	5
Empfohlene Werkzeuge	6
Montage des DC Wallbox-Ladegeräts	7
Verbindungsherstellung	10
Bedienung	17
Systemkonfiguration	19
3G-Konfiguration	20
Firmware-Update	20
Wartung	21
Gewährleistung	21
Allgemeine Gewährleistungsbedingungen	21
Entsorgung	21
Systemcode	22
Fehlerbehebung	26
Technische Daten	27

Konventionen

Allgemeine Konventionen

In diesem Handbuch werden die folgenden Konventionen verwendet:



Hinweis:

Verweist auf zusätzliche relevanten Informationen zu einem aktuellen Prozess oder Verfahren.



WARNUNG!

Warnhinweise vor dem Text verweisen auf Informationen zur Vermeidung von Geräte- oder Ausrüstungsschäden.



VORSICHT!

ANGABEN ZU VORSICHTIGEN VERHALTENSWEISEN WERDEN DEM TEXT VORANGESTELLT. VORSICHTSHINWEISE IN GROSSBUCHSTABEN VERWEISEN AUF WICHTIGE GESUNDHEITS- UND SICHERHEITSINFORMATIONEN.

Typografische Konventionen

In diesem Handbuch werden die typografischen Konventionen verwendet:

Kursiv

Verweis auf Buchtitel, Verzeichnisnamen, Dateinamen, Pfadnamen und Programm-/Prozessnamen.

Konstante Breite

Computerausgaben auf dem Computerbildschirm, einschließlich Menüs, Eingabeaufforderungen, Reaktionen auf die Eingabe und Fehlermeldungen.

Konstante Breite und Fett

Befehle oder Informationen, die ein Benutzer am Computer eingibt. Einschränkende Variablen für die Benutzereingabe werden mit winkligen Klammern (< >) dargestellt.

Fett kursiv

Tastatureingaben.

Copyright

Das Eigentum sowie die geistigen Eigentumsrechte an diesem Installations- und Bedienungshandbuch (dieses „Handbuch“), insbesondere die darin enthaltenen Inhalte, Daten und Abbildungen, sind das Eigentum von Delta Electronics, Inc. („Delta“). Das Handbuch ist ausschließlich für den Betrieb oder die Verwendung des Produktes bestimmt. Die Weitergabe, Vervielfältigung, Verbreitung, Reproduktion, Modifizierung, Übersetzung, Extrahierung oder anderweitige Nutzung des Handbuchs ist ohne die vorherige schriftliche Genehmigung von Delta untersagt. Das Produkt wird kontinuierlich weiterentwickelt und verbessert und somit behält sich Delta Änderungen oder Aktualisierungen des Handbuchs ohne Vorankündigung vor. Delta unternimmt alle Anstrengungen, um das Handbuch zu aktualisieren und dessen Genauigkeit zu gewährleisten. Delta schließt jegliche Form der Haftung, Garantie oder Gewährleistung aus, ausdrücklich und angenommene, einschließlich hinsichtlich Vollständigkeit, Genauigkeit, Nichtverletzung, Marktgängigkeit oder Eignung für einen bestimmten Zweck oder eine bestimmte Nutzung.

Copyright © Delta Electronics, Inc. Alle Rechte vorbehalten.

Einführung

Das DC Wallbox-Ladegerät ist aktuell erste Wahl für die Aufladung von batterieelektrische Fahrzeugen (BEV) und elektrischen Plug-in-Fahrzeugen (PHEV). Es wurde für die Schnellaufladung an öffentlichen und privaten Orten entwickelt, beispielsweise Einzelhandels- und Gewerbeparkplätze, Flottenladestationen, Autobahn-Tankstellen, Arbeitsplätze, Wohngebäude usw.

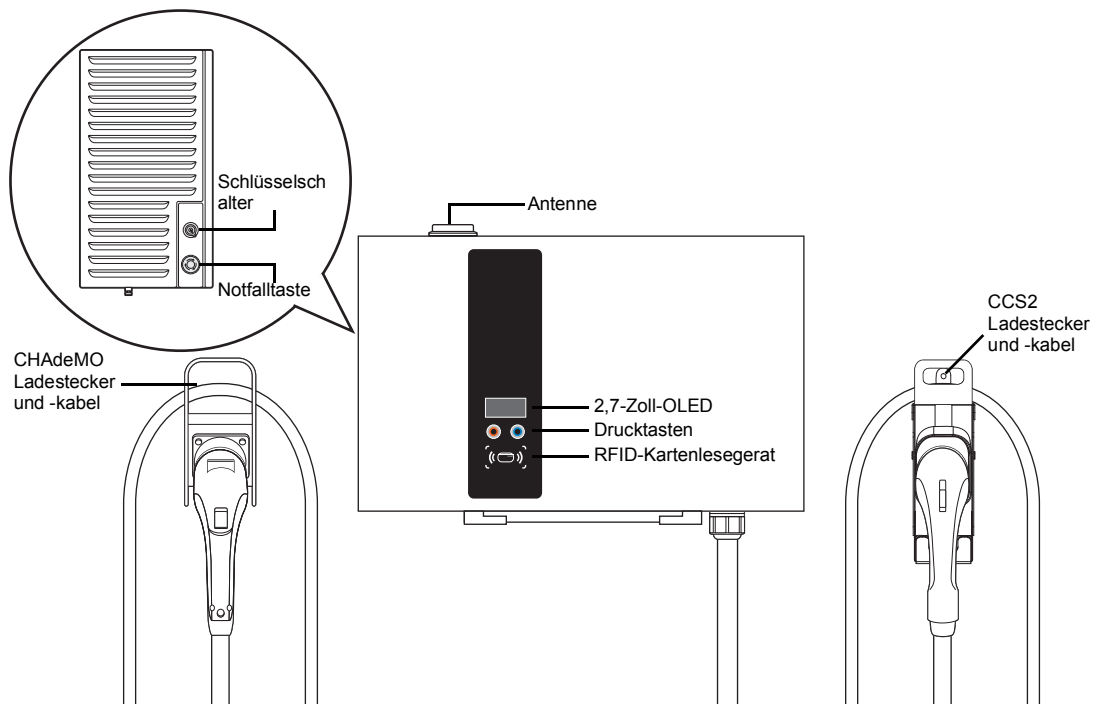
Der Vorteil des DC Wallbox-Ladegeräts ist die einfache Installation. Die Bauweise mit Wandbefestigung und steckbaren Strommodulen ermöglichen eine flexible und kostengünstige Installation an vielen Orten. Der DC Wallbox-Ladegerät ist zudem für die vernetzte Kommunikation ausgelegt, verbindet sich mit entfernten Netzwerksystemen und ermöglicht den Fahrern von E-Fahrzeugen Informationen in Echtzeit, wie Orte mit Ladestationen, Angaben zum Ladevorschritt sowie zu den Kosten. Das DC Wallbox-Ladegerät verfügt über eine deutliche Benutzeroberfläche mit Funktionstasten, einem Stromversorgungssicherheitssystem und hervorragender wasser- und staubdichter Technologie und ist somit die beste Wahl für Umgebungen im Freien. Es lässt sich auch in erneuerbare Energiesysteme integrieren, beispielsweise Solar- und Windstromtechnologie, um so eine optimale energiesparende Infrastruktur für die Entwicklung von EV-Systemen zu bieten.

Merkmale

- Wandmontage und steckbare Strommodule für die einfache und flexible Installation.
- Bequeme vollständige Start- und Stopp-Ladesteuerung über die autorisierte RFID-Smartcard.
- Konzeption gemäß den aktuellen Normen zu DC-Aufladung.
- Der Schutzgrad für die Verwendung im Freien verhindert den Eintrag von Fest- und Flüssigstoffen im Freien, was zu mehr Stabilität und hoher Verlässlichkeit beiträgt.
- Mit kontrastreichem OLED-Bildschirm mit Multifunktionstasten.

Anwendungen

- Öffentliche und private Parkflächen
- Gemeinschaftsparkplätze
- Parkplätze von Hotels, Supermärkten und Einkaufszentren
- Parkplätze am Arbeitsplatz
- Ladestationen
- Autobahn-Rastplätze



Wichtige Sicherheits- und Verkabelungshinweise

Auswahl des Installationsstandorts

DC Wallbox kann sowohl im Innen- als auch im Außenbereich installiert werden. Es ist nötig, die Gegebenheiten und Sicherheitsvorkehrungen der Installation am Standort zu berücksichtigen:

- Befolgen Sie die örtlichen Vorschriften und Vorgaben für elektrische Installationen
- Berücksichtigen Sie die Fluchtwege am Installationsstandort
- Installieren Sie das Gerät nicht in Bereichen mit möglicherweise explosionsfähiger Atmosphäre (Ex-Zonen).

Sicherheit und Konformität

- Lesen Sie dieses Handbuch aufmerksam durch, bevor Sie das Gerät montieren oder in Betrieb nehmen.
- Keine Werkzeuge, Materialien oder Körperteile in den E-Fahrzeuganschluss einführen.
- Das DC Wallbox-Ladegerät niemals verwenden, wenn Gehäuse, Stromkabel oder Ladekabel beschädigt sind, die Isolierung defekt ist oder bei anderen Anzeichen von Beschädigungen.
- Das DC Wallbox-Ladegerät niemals verwenden, wenn das Gehäuse beschädigt ist, Risse aufweist, geöffnet ist oder andere Anzeichen von Beschädigungen aufweist.
- Die Installation des DC Wallbox-Ladegerätes muss einem qualifizierten Techniker vorbehalten sein.
- Die für die Montage verwendeten Materialien müssen den gelten Gebäude- und Sicherheitsnormen entsprechen.
- Die Informationen in diesem Handbuch befreien den Nutzer nicht von der eigenen Verpflichtung, die geltenden Gesetze oder Sicherheitsnormen zu befolgen.
- Der Hersteller übernimmt keine Haftung für physische Verletzungen, Schäden an Eigentum oder der Ausrüstung infolge der Installation dieses Gerätes.
- Dieses Dokument enthält Informationen für das DC Wallbox-Ladegerät und darf nicht für andere Produkte herangezogen werden. Lesen Sie dieses Handbuch vor der Verwendung des Produktes aufmerksam und halten Sie bezüglich der Konformität den geltenden Gebäudevorschriften und Sicherheitsnormen entsprechend Rücksprache mit einem lizenzierten Auftragnehmer, Fachelektriker oder geschultem Monteur.

Verdrahtung

Masseverbindung

Stets den Nullleiter mit der Erdungsleitung verbinden. Sofern keine Erdung vorhanden ist, muss ein Erdungsanker in der Nähe vorgesehen werden. Der Erdungsanker muss mit dem Erdungsstab im Hauptschutzschalterschrank verbunden werden. Hier wird der Nullleiter an die Erde angeschlossen.

380 V bis 415 V dreiphasige Spannung



WARNUNG!

Zuleitung ab einem Y-Stromnetz zu DC Wallbox zu L1, L2 und L3 und Nullleiter. Die Erdung wird nur an einem Punkt mit dem Nullleiter verbunden, im Allgemeinen am Hauptschalter.

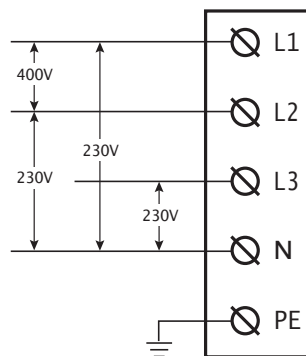


Abbildung 1. 380 V bis 415 V dreiphasiger Anschluss

200 V bis 230 V dreiphasige Spannung



WARNUNG!

Zuleitung ab einem Delta-Stromnetz zu DC Wallbox zu L1, L2 und L3 und Nullleiter. Die Erdung wird nur an einem Punkt mit dem Nullleiter verbunden, im Allgemeinen am Hauptschalter.

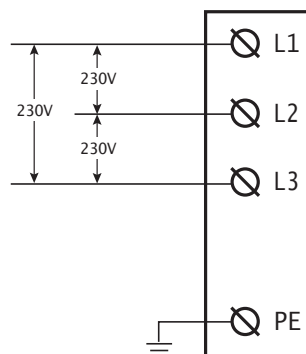


Abbildung 2. 200 V bis 230 V dreiphasiger Anschluss



WARNUNG!

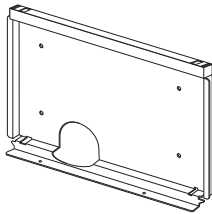
Hoher Leckstrom.
Vor dem Herstellen der Verbindung ist die Erdung unerlässlich.

Vor der Installation

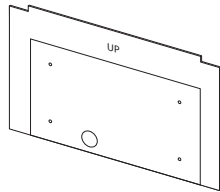
Schutz

- Ziehen Sie vor der Montage des DC Wallbox-Ladegeräts die Standardbetriebsverfahren (SOP) und die geltenden Gebäude- und VDE-Vorschriften heran.
- Die Installation des DC Wallbox-Ladegeräts muss einem qualifizierten Techniker vorbehalten sein.
- Bei der Verbindung des Netzstromkabels sind entsprechende Schutzmaßnahmen vorzusehen.
- In Übereinstimmung mit IEC61851-1 ist eine Trennschalter für jeden unterirdischen AC-Eingangslleiter vorzusehen.
- Für dreiphasige Vierdrahtnetze, 380 VAC-415 VAC, müssen Trennschalter vom Typ C oder D mit 30 mA, Typ A, vierpolig RCD, an der vorgeschalteten Tafel installiert werden, der Nennstrom des Trennschalters beträgt 50 A.
- Für dreiphasige Dreidrahtnetze, 200 VAC-230 VAC, müssen Trennschalter vom Typ C oder D mit 30 mA, Typ A, RCD an der vorgeschalteten Tafel installiert werden, der Nennstrom des Trennschalters beträgt 100 A.

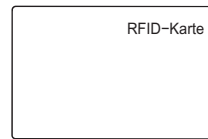
Zubehörset



Montagehalterung x 1



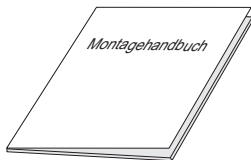
Montagevorlage x 1



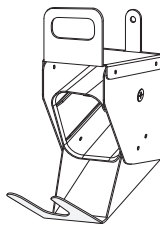
RFID-Karten x 2



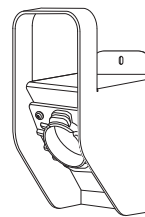
Schlüssel x 2



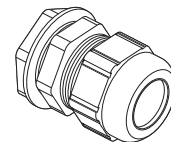
Bedienungsanleitung x 1



CCS2
Steckerhalterung x 1



CHAdeMO
Steckerhalterung x 1
(nur Modell mit
doppeltem Ausgang)



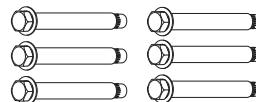
Kabelverschraubung x 1



Beutel mit
Halterschrauben x 2
(SCHRAUBE M
M6*1*8 PAN TORX
SUS NL)



Beutel mit
Erdungsschrauben x 1
(SCHRAUBEN M
M6*1*12 SECHSK C
S+P S20C ZN-NI)



Beutel mit
Dehnungsschrauben x
6 (+2 für Modelle mit
doppeltem Ausgang)
(ANKER SUS 16*50,8
GEBEIZT)

Empfohlene Werkzeuge

Die folgenden Werkzeuge werden für die Montage des DC Wallbox-Ladegerätes empfohlen:

- (1x) Spannungsmesser oder digitales Multimeter
- (1x) Wasserwaage
- (1x) Hammer
- (1x) Betonbohrmaschine
- (1x) Drahtschneider/Abisolierzange
- (1x) Torx[®] Manipulationssicher T15 und T25 Schraubendreher
- (1x) Nr. 8 Schlitzschraubendreher und Steckschlüssel
- (1x) Nr. 6 Schlitzschraubendreher
- (1x) Nr. 2 Kreuzschlitzschraubendreher
- (1x) Nr. 3 Kreuzschlitzschraubendreher
- (1x) M50 Anschlussstück, Anschluss und Schlüssel für die Netzleitungen
- (1x) M25 Anschlussstück, Anschluss und Schlüssel für Ethernet
- (4x) Ringklemme RNB14-6 für L1/L2/L3-Draht (14 mm² Kupferdraht) in Modellen mit 380 V - 415 V-Dreiphaseneingang
- (3x) Ringklemme RNB38-6 für L1/L2/L3-Draht (38 mm² Kupferdraht) in Modellen mit 200 V - 230 V-Dreiphaseneingang
- (1x) Ringklemme RNB14-6 für PE/Massedraht (14 mm² Kupferdraht)

Wichtige Sicherheitshinweis.

Bewahren Sie diese Anleitungen auf.

- Die Montage des DC Wallbox-Ladegerätes muss einem lizenzierten Auftragnehmer und/oder einem qualifizierten Elektriker vorbehalten sein und muss geltenden Gesetzen, Normen und den VDE-Vorschriften entsprechen.
- Lesen Sie dieses Handbuch vor der Verwendung des DC Wallbox-Ladegerätes aufmerksam und halten Sie bezüglich der Konformität den geltenden Gebäudevorschriften und Sicherheitsnormen entsprechend Rücksprache mit einem lizenzierten Auftragnehmer, Fachelektriker oder geschultem Monteur.



WARNUNG!

Gefahr von Elektroschock oder Verletzungen. Vor Arbeiten an der Anlage bzw. dem Ausbau von Komponenten muss die Stromversorgung der Schalttafel abgeschaltet werden. Vor dem Ausbau von Schutzvorrichtungen oder anderen Komponenten stets die Stromversorgung abschalten.



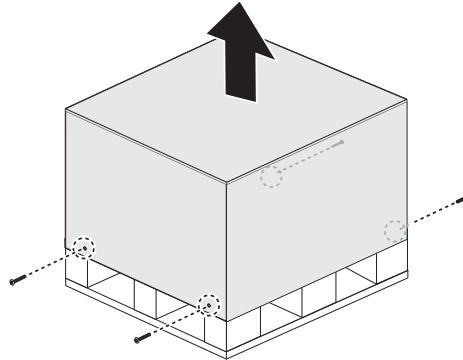
VORSICHT!

UM SCHÄDEN AM LADEGERÄT UND PERSONENSCHÄDEN ZU VERMEIDEN, MUSS SICHERGESTELLT SEIN, DASS DER MONTAGEORT FÜR DAS GEWICHT DES DC WALLBOX LADEGERÄTES AUSGELEGT IST.

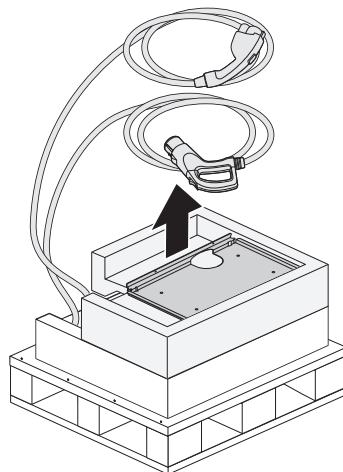
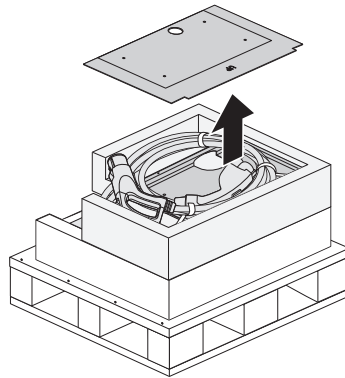
Montage des DC Wallbox-Ladegeräts

Preparation

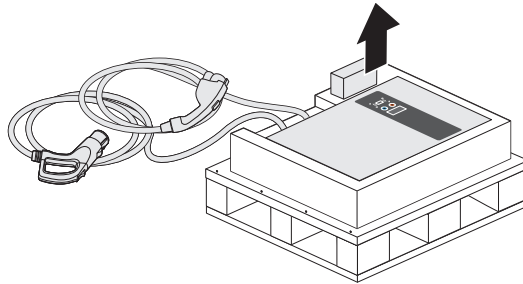
1. Die Schrauben an der Kiste (beidseitig) mit einem Schraubendreher Nr. 8 lösen.
2. Obere Abdeckung der Sperrholzkiste öffnen.



3. Montageschablone herausnehmen, die Kabelbinder durchschneiden und den Ladestecker herausnehmen.



4. Schaumstoff herausnehmen, Plastikbeutel öffnen und die Einheit herausnehmen.

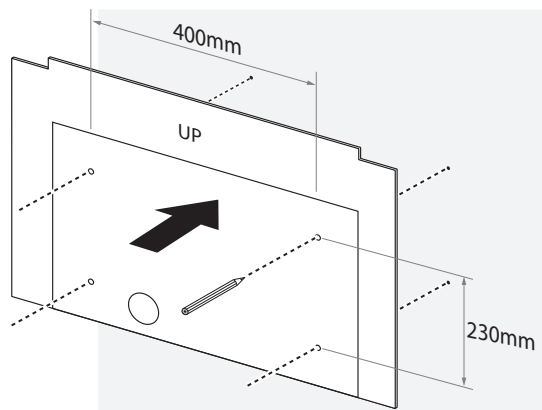


Hinweis:

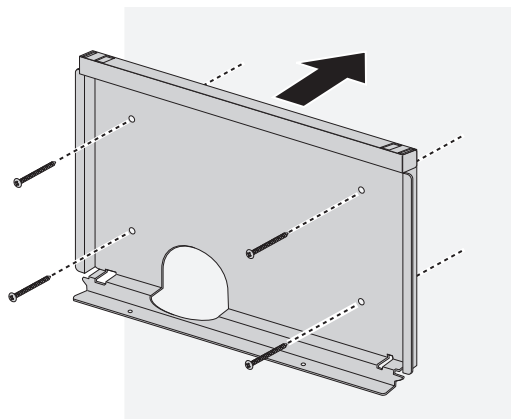
Das Gerät und den Ladestecker nun auf dem Boden oder auf einer flachen Oberfläche abstellen.

Wandhalterung

1. Die Montageposition mithilfe der Schablone und einer Wasserwaage markieren.



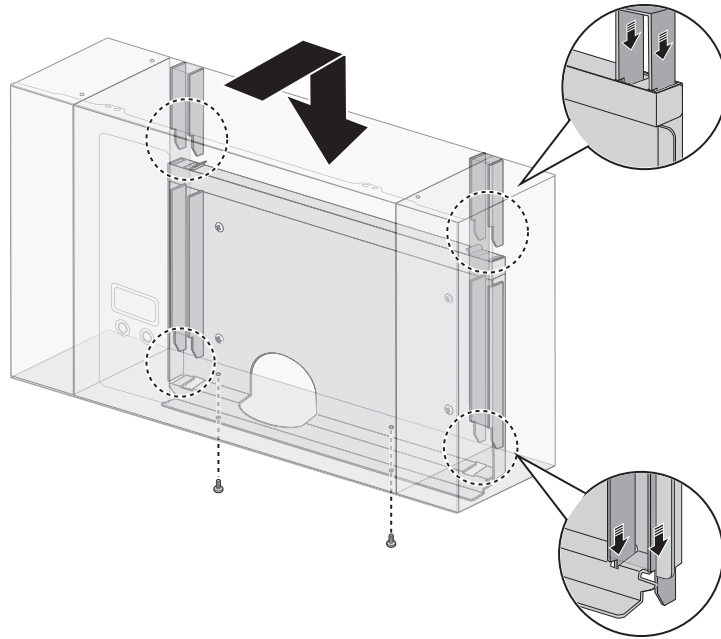
2. Halterung an der Wand montieren.



Hinweis:

- Das Gerät muss an einer massiven Wand befestigt werden (vorzugsweise Beton oder Metall).
- Dem Zubehörset liegen Dehnungsbolzen und Montageschrauben für die unterschiedlichen Wandtypen bei. Ggf. muss eine Bohrmaschine verwendet werden.
- Das Gerät muss in ausreichender Höhe von Boden montiert werden, und war in Übereinstimmung mit NEC Absatz 625: **60 cm bis 120 cm** ab der Oberkante Fußboden.

3. Gerät auf die Halterung setzen. Die Hinterseite des Gerätes im entsprechenden Schlitz in der Halterung ausrichten. Die Hinterseite des Gerätes im entsprechenden Schlitz in der Halterung ausrichten. Am Boden mit zwei Schrauben befestigen.



Hinweis:

Diese Befestigungsschrauben liegen dem Zubehörset bei.

Verbindungsherstellung

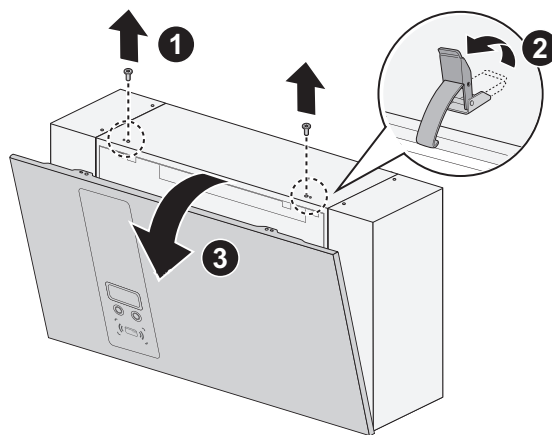


WARNUNG!

Die Schrauben nur mit einem **manipulationssicheren Torx®-T15**-Schraubendreher befestigen und lösen. Andere Werkzeuge können Schrauben und Blech beschädigen.

Leistungsverdrahtung

1. Vordere Abdeckung für die Verdrahtung öffnen.
 - a. Am Boden mit zwei Schrauben befestigen.
 - b. Die Laschen lösen, um die vordere Abdeckung zu öffnen.
 - c. Die vordere Abdeckung vorsichtig abnehmen.



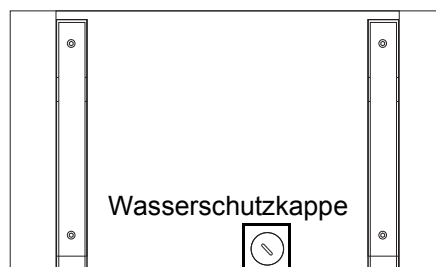
2. Die Stromkabel können durch die Unterseite oder die Rückseite des Gehäuses geführt werden. Wählen Sie die Führung des Stromkabels.

Am Boden:

- a. Die Kabel werden von der Unterseite zugeführt. Vor der Befestigung ist zu überprüfen, dass die Kabel bis zu den Anschlüssen reichen.
- b. Dann die Kabel befestigen; siehe nachstehenden Schritt.

Rückseite:

- a. Die Wasserschutzkappe an der Gehäuserückseite entfernen und die Wasserschutzkappe in die Kabelaufnahme an der Unterseite des Gehäuses einführen.



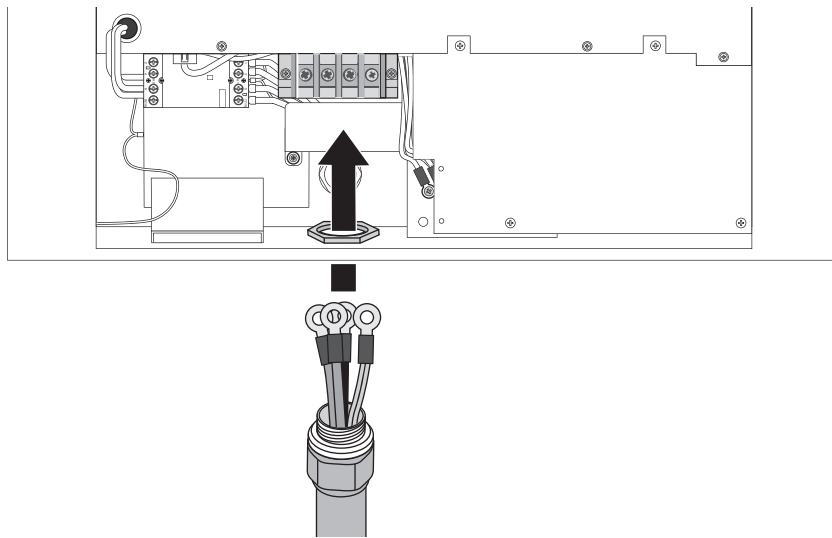
- b. Fahren Sie mit den nachstehenden Schritten fort.



VORSICHT!

BWENN DIE -DURCH ACK GEFÜHRT WERDEN, BESTEHT DIE GEFAHR VON WASSERLECKS. DIESE ART DER VERKABELUNG NIEMALS IM FREIEN WÄHLEN.

3. Kabel mit der Kabelmuffe sichern.



Hinweis:

Zum Schutz vor Witterungseinflüssen ausschließlich zugelassene Kabelmuffen verwenden, mindestens **IP55 (bzw. darüber)**.

4. Den Deckel von der Klemmleiste entfernen und die Drähte mit den richtigen Klemmen verbinden. Modellspezifische Anschlüsse entnehmen Sie bitte den nachstehenden Angaben.
Die Verkabelung/Verdrahtung ist abhängig vom Modell und von einphasigen und dreiphasigen Modellen.

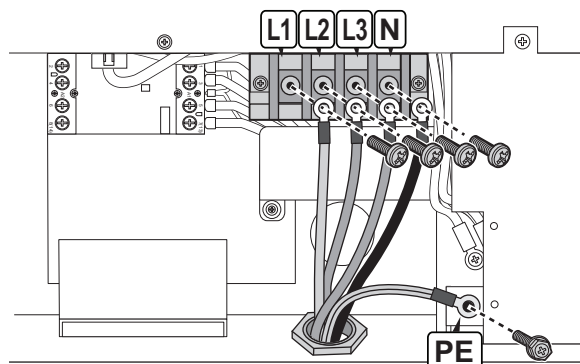


WARNUNG!

Die farbliche Codierung der Kabel kann abhängig von der Region abweichen.

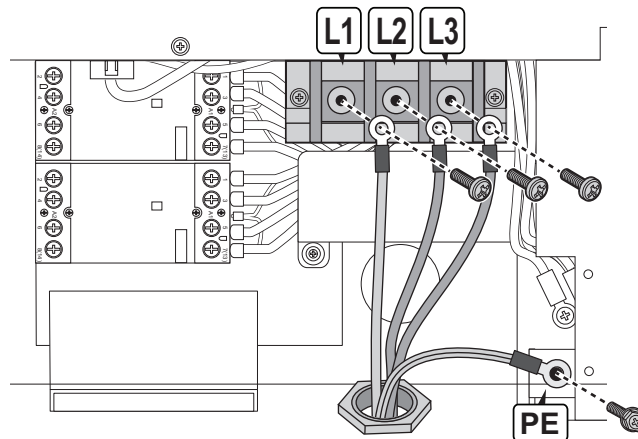
Dreiphasig

Verkabelung mit 380 VAC - 415 VAC

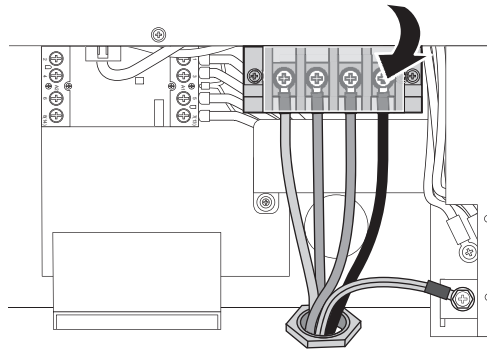


- Es sind ein Anschlussstück und ein Anschluss M50 gemäß EN 61386-24 zu wählen.
- Die Stromkabel der 4 x RNB14-6-Ringklemmen mit Kabelösen an der Eingangsklemme „L1, L2, L3 und N“ mit 4-x-M6.0-Schrauben mit 33 kg-cm Anzugsmoment befestigen.
- Den Erdungsdraht von RNB14-6 mit der 1-x-M6.0 Schrauben mit 20 kg-cm Anzugsmoment an der Masseklemme mit dem Massesymbol (\oplus) befestigen.

Verkabelung mit 200 VAC - 230 VAC



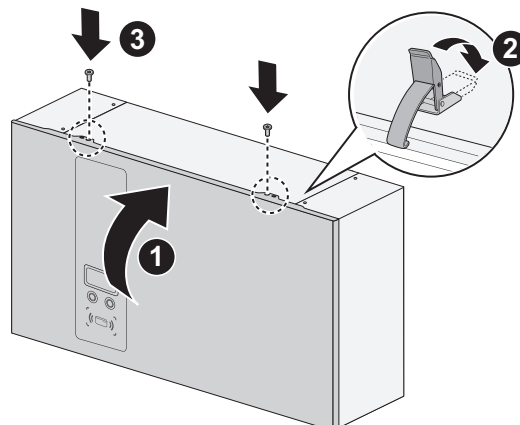
- Es sind ein Anschlussstück und ein Anschluss M50 gemäß EN 61386-24 zu wählen.
 - Die Stromkabel der 3 x RNB38-6-Ringklemmen mit Kabelösen an der Eingangsklemme „L1, L2 und L3“ mit 3-x-M6.0-Schrauben mit 33 kg-cm Anzugsmoment befestigen.
 - Den Erdungsdraht von RNB14-6 mit der 1-x-M6.0 Schrauben mit 20 kg-cm Anzugsmoment an der Masseklemme mit dem Massesymbol (⊕) befestigen.
5. Jeden Draht mit der richtigen Schraube befestigen. Stellen Sie sicher, dass richtige Anzugsmoment zu wählen. Sie nachstehende Angaben.
 6. Die Abdeckung wieder auf die Klemmenleiste setzen.



VORSICHT!

DER ELEKTRISCHE KABELKANAL MUSS VOR BEGINN DER INSTALLATION RICHTIG IN DER KABELÖFFNUNG DES DC WALLBOX LADEGERÄTES AUSGERICHTET WERDEN. ANDERNFALLS KÖNNEN DAS KABEL/DER DRAHT ODER DAS LADEGERÄT BESCHÄDIGT WERDEN.

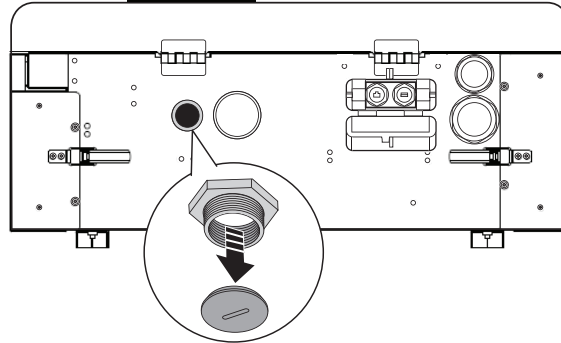
7. Die vordere Abdeckung einsetzen und die Schrauben sicher anziehen.



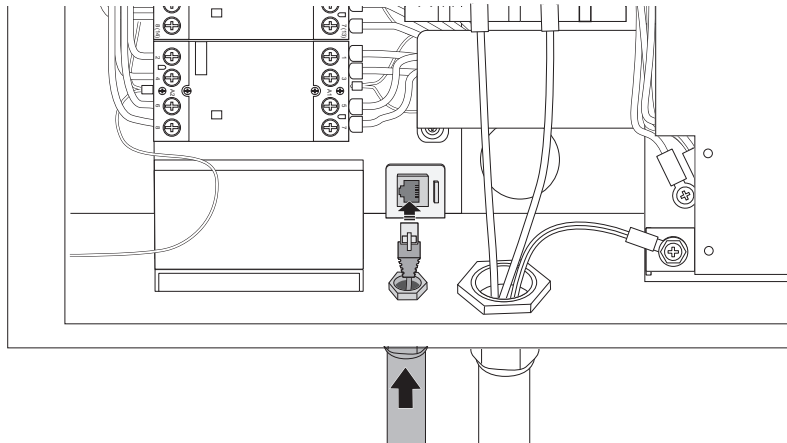
Ethernet-Verbindung

Es wird empfohlen, die Ethernet-Kabel durch die Anschlüsse an der Unterseite zu führen. Dazu muss die vordere Abdeckung geöffnet werden.

1. Die Wasserschutzkappe vom Ethernet-Anschluss abnehmen.



2. Das Kabel durch die Öffnung führen und dann das Ethernet-Kabel mit der Klemme verbinden.
3. Das Kabel mit der Kabelmuffe sichern.

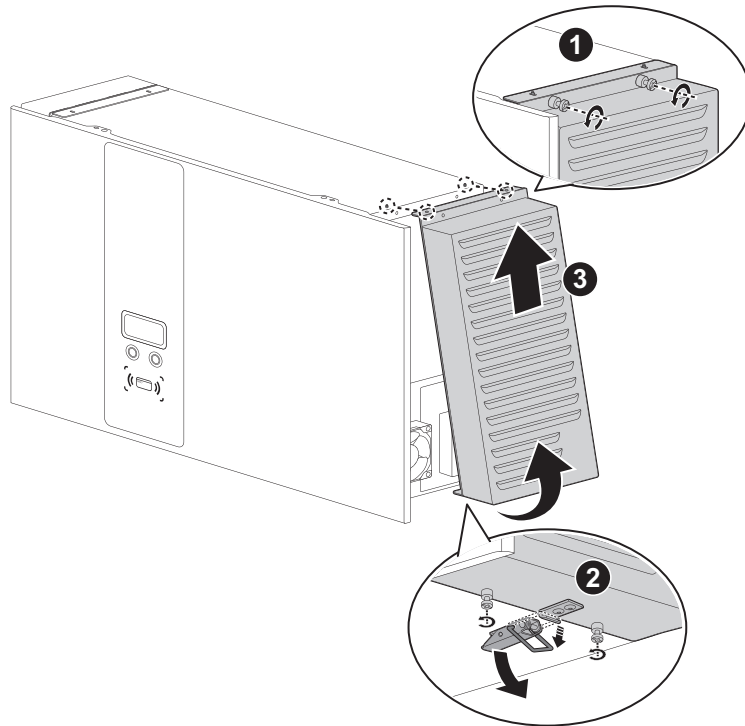


Hinweis:

Zum Schutz vor Witterungseinflüssen ausschließlich zugelassene Kabelmuffen verwenden, mindestens **IP55 (bzw. darüber)**.

3G-Anschluss

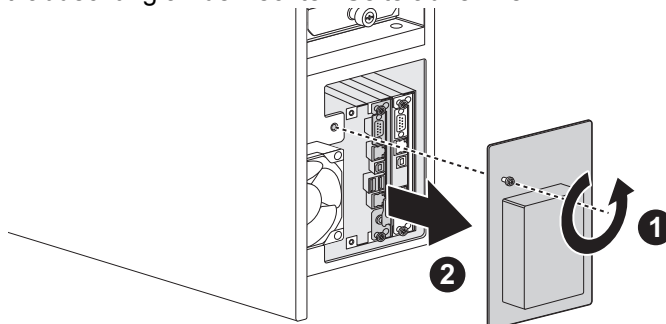
1. Die rechte Filterabdeckung abnehmen.
 - a. Die Schrauben an der Oberseite lösen.
 - b. Die Schrauben an der Unterseite lösen und die Lasche herausziehen.
 - c. Die Filterabdeckung öffnen und herausnehmen.



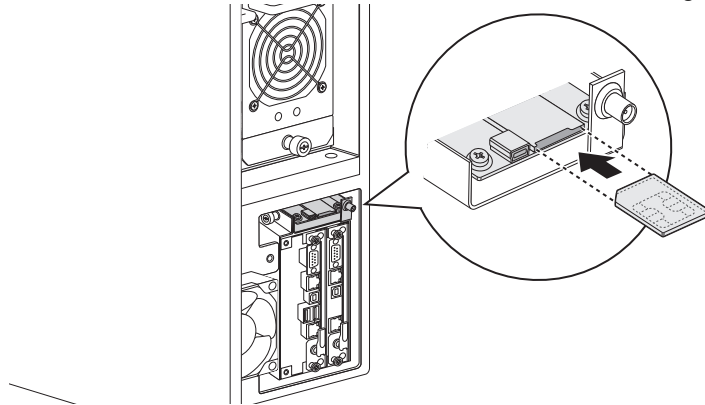
WARNUNG!

Die Schrauben nur mit einem **manipulationssicheren Torx® T25**-Schraubendreher befestigen und lösen. Andere Werkzeuge können Schrauben und Blech beschädigen.

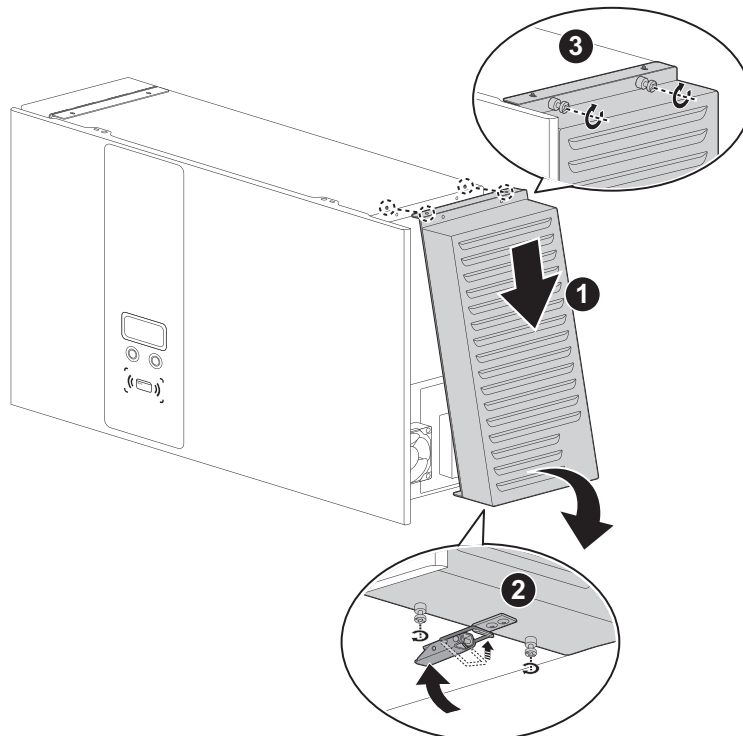
2. Die Schutzabdeckung an der rechten Seite abnehmen.



3. Die Mikro-SD-Karte in die 3G-Platine einsetzen. Die Schutzabdeckung wieder befestigen.



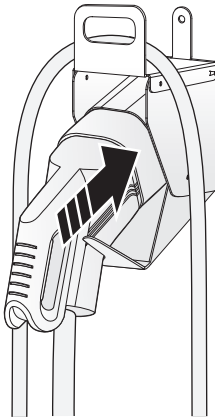
4. Die rechte Filterabdeckung wieder anbringen.
- Die Filterabdeckung auf die Einheit hängen.
 - Den Stift nach unten ziehen und die Filterabdeckung einsetzen.
 - Am Boden mit den Schrauben befestigen.
 - An der Unterseite mit den Schrauben befestigen.



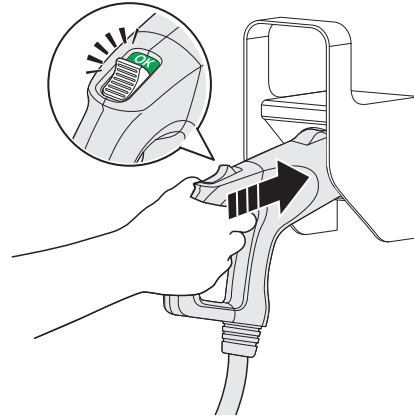
- Die Lasche am Boden schließen. Die Lasche hat eine Öffnung mit 3,3 mm Durchmesser, so dass ein Vorhängeschloss angebracht werden kann, um unberechtigten Zugriff zu unterbinden.

Ladestecker befestigen

1. Die Aufhängung für den Ladestecker an der Wand befestigen.
2. Das Ladekabel und den Stecker richtig in der Aufhängung befestigen.



IEC DC (CCS2)

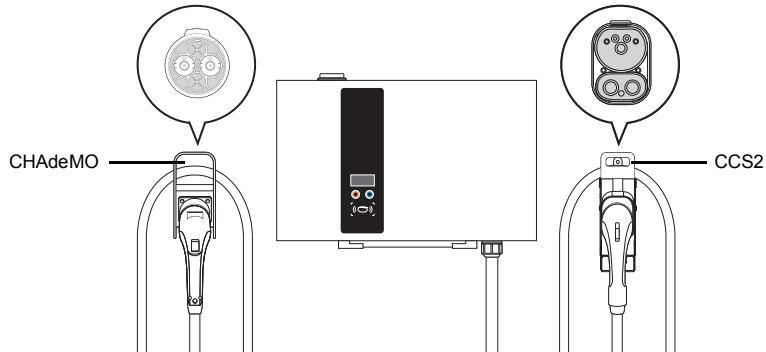


CHAdeMO - nur für das Modell mit doppeltem Ausgang

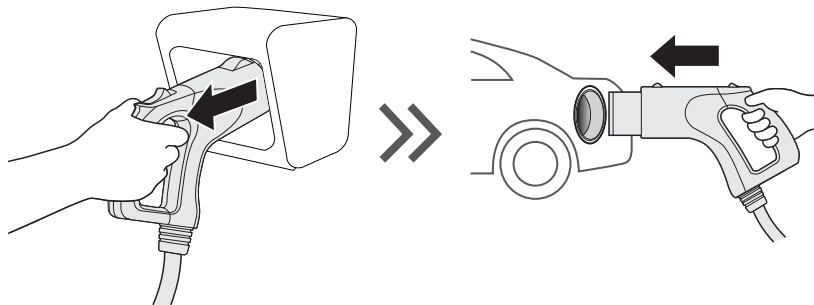
3. Strom einschalten und den Schlüssel drehen, um DC Wallbox nach Abschluss aller Schritte zu initialisieren.

Bedienung

1. Wählen Sie die gewünschte Sprache.
2. Wählen Sie einen kompatiblen Stecker (CCS oder CHAdeMO).



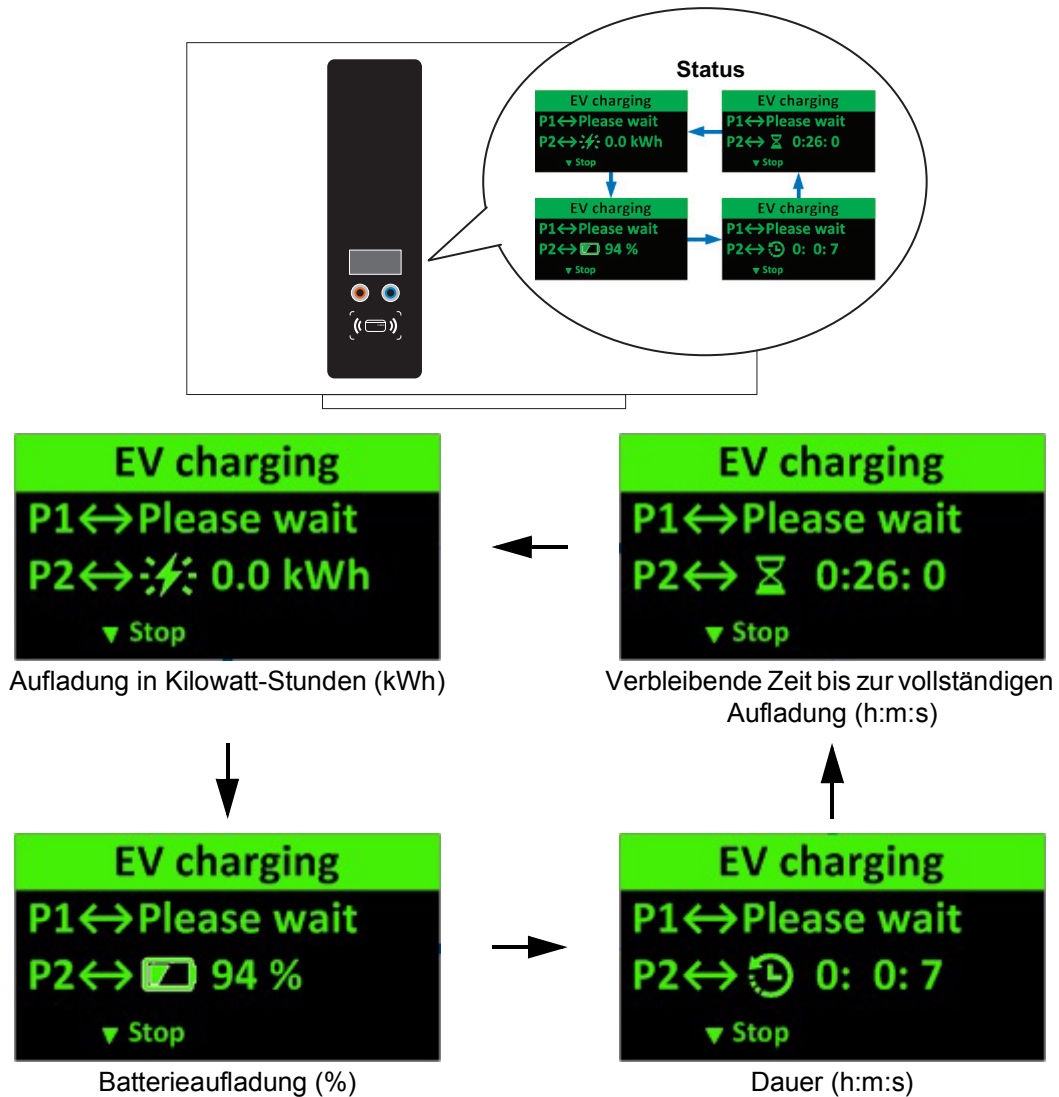
3. Den Stecker mit der EV verbinden.



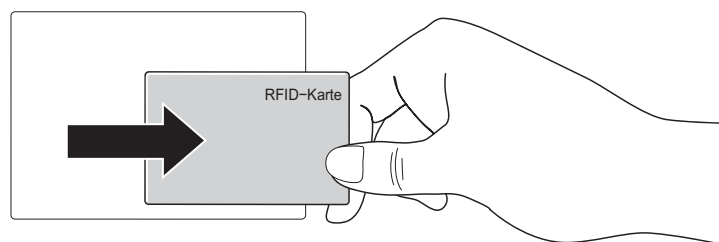
4. Die autorisierte RFID-Karte durchziehen, um den Ladevorgang zu beginnen. Die autorisierte RFID kann direkt und ohne jegliche Aktivierung oder Einstellung verwendet werden.



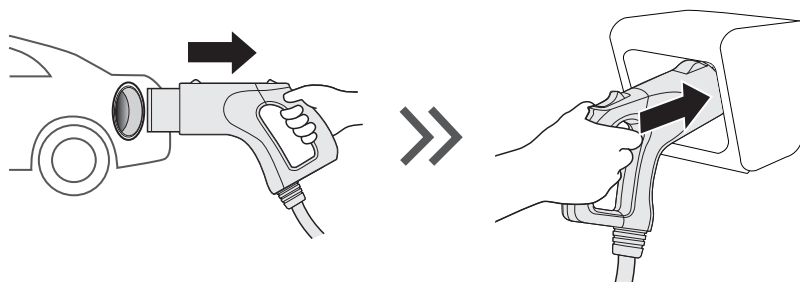
5. Sobald die Aufladung beginnt, werden die Statusinformationen am Display angezeigt. Die nachstehenden Abbildungen demonstrieren die Sequenz vom Start bis zum nahezu abgeschlossenen Ladevorgang.



6. Die autorisierte RFID-Karte durchziehen, um den Ladevorgang zu stoppen.



7. Den Stecker wieder in der Halterung befestigen.



Systemkonfiguration

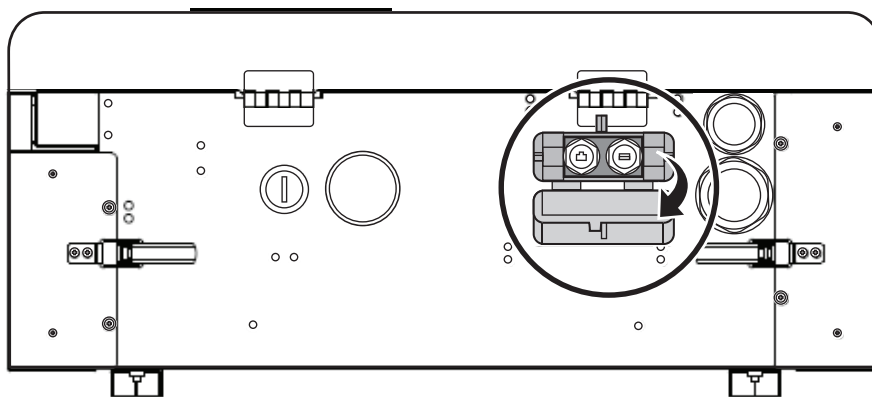


WARNUNG!

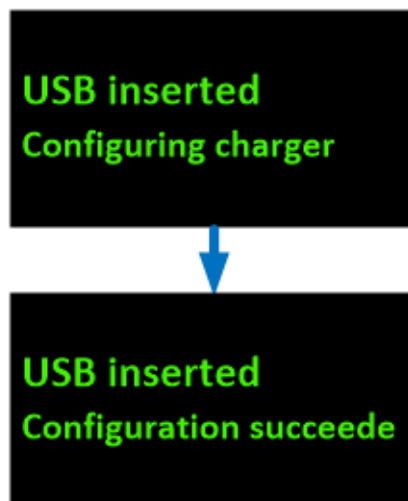
Das Ladegerät darf niemals während des laufenden Lademodus aufgeladen werden, weil sonst die laufende Ladesitzung unterbrochen wird.

Schritte:

1. Das vom DC Wallbox-Hersteller herausgegebene Windows-basierte Konfigurationstool verwenden.
2. Nach Abschluss der Konfiguration kopieren Sie die Parameterdatei (DeltaDCWallboxConfig) auf ein USB-Flash-Laufwerk (Dateiformat: FAT/FAT32).
3. Das USB-Flash-Laufwerk dann am USB-Anschluss an der Unterseite anschließen (mit USB bezeichnet). Die Konfiguration wird in DC Wallbox hochgeladen.



4. Das USB-Flash-Laufwerk nach Abschluss der Konfiguration wieder entfernen.



5. Die Schutzabdeckung schließen. Die Lasche hat eine Öffnung, so dass ein Vorhängeschloss angebracht werden kann, um unberechtigten Zugriff zu unterbinden.

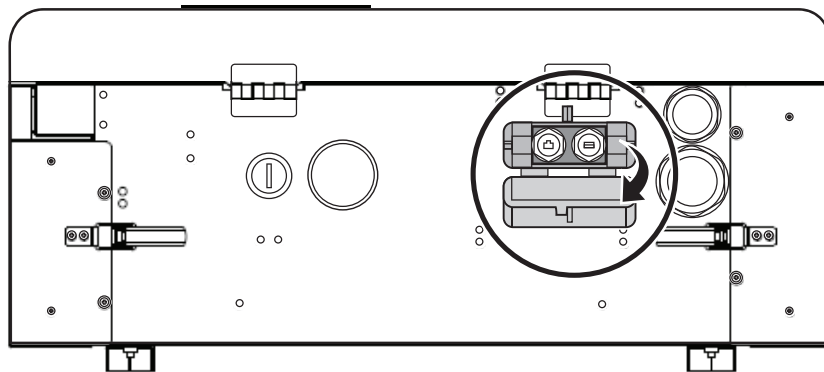
3G-Konfiguration

Bei Modellen mit 3G-Modem legen Sie eine gültige 3G (WCDMA) SIM-Karte (siehe vorhergehende Schritte (Seite 14)), um die 3G-Verbindung herzustellen. Informieren Sie sich bitte vorab bei Ihrem lokalen Betreiber hinsichtlich von Datendiensten auf der SIM-Karte. Deaktivieren Sie die PIN-Überprüfung der SIM-Karte bevor Sie die Karte in das Modem einführen. Die APN-Informationen erfragen Sie bitte bei dem Betreiber. Die APN muss richtig über das Konfigurationstool konfiguriert werden.

Firmware-Update

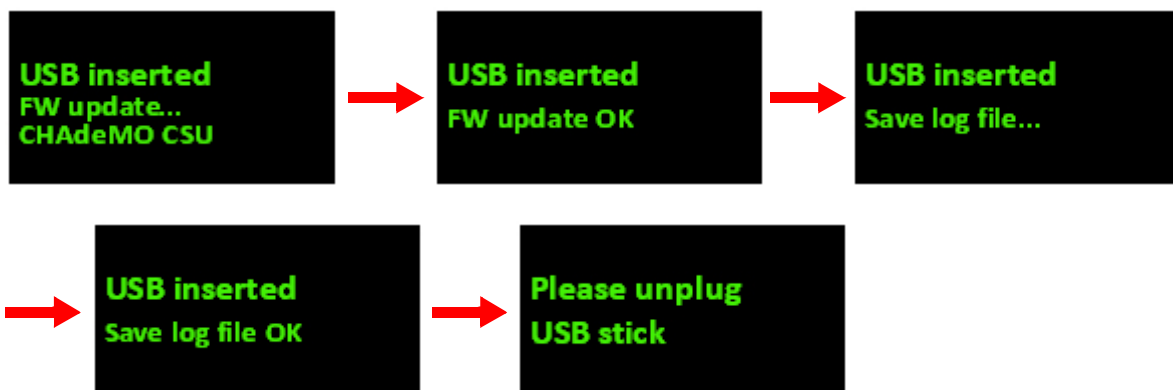
Firmware-Updates können über den USB-Anschluss unten am Gehäuse vorgenommen werden.

1. Es wird ein USB-Flash-Laufwerk benötigt. Das Laufwerk muss im FAT/FAT32-Format formatiert werden.
2. Das USB-Flash-Laufwerk dann am USB-Anschluss an der Unterseite anschließen (mit USB bezeichnet).



Die aktualisierte Firmware wird in DC Wallbox hochgeladen.

Der Status wird am Display angezeigt.



3. Nach Abschluss des Updates wird ein automatischer Neustart ausgeführt.
4. Die Schutzabdeckung schließen. Die Lasche hat eine Öffnung, so dass ein Vorhängeschloss angebracht werden kann, um unberechtigten Zugriff zu unterbinden.

Wartung

Alle sechs Monate,

1. Austausch des Lüftungsfilters.
2. Sichtprüfung von Ladekabel; das Kabel darf keine sichtbaren Schäden oder Verformungen aufweisen.
3. Sichtprüfung der Ladelanze; die Lanze darf keine sichtbaren Schäden, Wölbungen oder Rost aufweisen.



WARNUNG!

Vor Arbeiten der Frontplatte oder dem Lastzenter muss die Stromversorgung abgeschaltet werden, es besteht die Gefahr von Elektroschock oder Verletzungen. Gleiches gilt für Arbeiten an der Ausrüstung oder dem Ausbau von Komponenten. Vor dem Ausbau von Schutzvorrichtungen oder anderen Komponenten stets die Stromversorgung abschalten.

Vor dem Beginn von Wartungsarbeiten die Stromversorgung zu DC Wallbox trennen. Vergewissern Sie sich, dass der Netzstrom isoliert ist. Sonst besteht die Gefahr von Personenschäden oder Schäden am elektrischen System und der Ladeinheit.



Hinweis:

- Notieren Sie vor dem Abschalten des Trennschalters den am Display angezeigten Fehlercode.
- An der Hauptklemme liegt nach dem Abziehen des Schlüssels weiterhin gefährliche Spannung an. Nehmen Sie jetzt nur eine optische Inspektion vor.
- Die Wartung des DC Wallbox-Ladegerätes muss einem qualifizierten Techniker vorbehalten sein.
- Schalten Sie den Trenn- und den Hilfsschalter nach dem Öffnen der vorderen Abdeckung und vor Beginn von Wartungsarbeiten ab.

Gewährleistung

Allgemeine Gewährleistungsbedingungen

Delta gewährleistet, dass das Produkt während eines Zeitraums von zwei (2) Jahren frei von Verarbeitungs- und Materialfehlern ist, für den Originalkäufer des Produktes von Delta Company, d.h. mit auf EVSE aufgestempelter S/N-Nummer. Diese Gewährleistung richtet sich nur an den Originalkäufer und sie ist nicht an Dritte übertragbar.

Entsorgung

Geben Sie das Gerät nach der korrekten Außerbetriebnahme bitte gemäß den geltenden Abfallentsorgungsvorschriften bei der Serviceabteilung ab. Elektrische und elektronische Altgeräte müssen vom allgemeinen Hausmüll getrennt entsorgt werden.



Recyclingfähiges Material, wie Papier, Karton, Holz usw. muss im Einklang den Vorschriften entsorgt werden und darf, ebenso wie Verpackungsmaterial, niemals im Hausmüll entsorgt werden. Durch die Wiederverwendung von Material oder die Nutzung von Recyclingmaterial können Sie einen beträchtlichen Beitrag zum Schutz der Umwelt leisten.

Systemcode

Alarmcode	Beschreibung
004001	System-Eingangsspannung überschreitet den Betriebsbereich (> 305 Volt)
004002	System-Eingangsspannung (L2 oder L3) unterschreitet den Betriebsbereich (> 170 Volt)
004003	System-Ausgangsspannung überschreitet die max. EV-Batteriespannung
004004	Angeforderter Ausgangsstrom von EV überschreitet die aktuelle EVSE-Leistung
004005	Die Temperatur am Lufteintritt oder Eingangsschütz überschreitet den Betriebsbereich (<60°C)
004006	Die Temperatur am Lufteintritt oder Eingangsschütz überschreitet den Betriebsbereich <ul style="list-style-type: none"> ● REMA => (> 85°C) ● Phoenix => (> 75°C)
004007	Luftfilter austauschen
004008	Systemgebläse ist gedämpft und muss ausgetauscht werden
004009	Selbsttest des System-Controllers gibt einen Fehler aus
00400A	Notfalltaste gedrückt
00400B	Benutzerautorisierung an Backend fehlgeschlagen
00400C	Benutzerautorisierung für EVSE fehlgeschlagen
00400D	Temperatursensor am Lufteintritt defekt
00400E	Temperatursensor am Eingangsschütz defekt
00400F	SPD-Trigger
004010	CCS-seitige Ausgangssicherung defekt
004011	CHAdeMO-seitige Ausgangssicherung defekt
004012	Temperatursensor des CCS-Combo-Ladesteckers defekt
004013	Die Temperatur am Lufteintritt oder Eingangsschütz unterschreitet den Betriebsbereich (<-40°C)
004014	Laden von Benutzer abgebrochen
004017	System-Abschaltung, wenn der Stecker nicht drei (3) Minuten nach der Autorisierung eingesteckt wird
004018	Ladezeit hoch (max. 2 Std.)
004019	Unzureichender Systemdatenspeicher
004020	Unbekannter Fehler
004021	Laden entfernt in Backend-Office gestoppt
004022	Abfall Eingangsspannung (<20 V, <100 ms)
004023	System-Eingangsspannung L1 unterschreitet den Betriebsbereich (> 170 Volt)
005001	CHAdeMO EV-Kommunikation unterbrochen
005005	CCS EV-Kommunikation unterbrochen
005006	Gleichrichter defekt (SMR)

Alarmcode	Beschreibung
005007	CCS Controller-Kommunikation unterbrochen
005008	Hilfsstrommodul Kommunikation unterbrochen
005009	Relaissteuermodul Kommunikation unterbrochen
00500C	Display-Modul Kommunikation unterbrochen
00500D	RFID-Modul Kommunikation unterbrochen
00500E	3G-Modul nicht bereit (Modul oder SIM)
00500F	WLAN-Modul nicht bereit
006001	3G-Verbindung zu APN getrennt
006002	3G-Verbindung zum Internet getrennt
006003	3G-Verbindung in Backend-Office getrennt
006008	Ethernet Internetverbindung getrennt
006009	Ethernet Verbindung in Backend-Office getrennt
007001	Hardware-Komponente in Gleichrichter defekt
007002	Eingangsspannung am Gleichrichter überschreitet den Betriebsbereich
007003	Eingangsspannung am Gleichrichter unterschreitet den Betriebsbereich
007004	Ausgangsspannung überschreitet den Betriebsbereich des Gleichrichters
007006	Die Temperatur am Lufteintritt im Gleichrichter überschreitet den Betriebsbereich (<60 °C)
007008	Die PFC-Temperatur überschreitet den Betriebsbereich
007009	Die PFC-Temperatur unterschreitet den Betriebsbereich
00700A	Die DCDC-Temperatur überschreitet den Betriebsbereich
00700B	Die DCDC-Temperatur unterschreitet den Betriebsbereich
00700C	Das Gebläse im Gleichrichter ist defekt
00700D	Ausgangs O-Ring-Diode ist defekt
00700E	Isolierprüfung fehlgeschlagen
008003	5-Volt für System-Controller überschreitet den Betriebsbereich
008004	5-Volt für andere Systemmodule überschreitet den Betriebsbereich
008005	5-Volt für CAN-Bus überschreitet den Betriebsbereich
008006	12-Volt für andere Systemmodule überschreitet den Betriebsbereich
008007	12-Volt für EV-Kommunikation überschreitet den Betriebsbereich
008008	24-Volt für EV-Kommunikation überschreitet den Betriebsbereich
008009	5-Volt für System-Controller unterschreitet den Betriebsbereich
00800A	5-Volt für andere Systemmodule unterschreitet den Betriebsbereich
00800B	5-Volt für CAN-Bus unterschreitet den Betriebsbereich
00800C	12-Volt für andere Systemmodule unterschreitet den Betriebsbereich
00800D	12-Volt für EV-Kommunikation unterschreitet den Betriebsbereich
00800E	24-Volt für Relaissteuerung unterschreitet den Betriebsbereich

Alarmcode	Beschreibung
008010	5-Volt Ausgangsstrom für System-Controller überschreitet den Betriebsbereich
008011	5-Volt Ausgangsstrom für andere Systemmodule überschreitet den Betriebsbereich
008012	5-Volt Ausgangsstrom für den CAN-Bus überschreitet den Betriebsbereich
008013	12-Volt Ausgangsstrom für andere Systemmodule überschreitet den Betriebsbereich
008014	12-Volt Ausgangsstrom für die EV-Kommunikation überschreitet den Betriebsbereich
008015	24-Volt Ausgangsstrom für die Relaissteuerung überschreitet den Betriebsbereich
008016	12-Volt Temperatur für die EV-Kommunikation überschreitet den Betriebsbereich
008017	5-Volt Temperatur für andere Systemmodule überschreitet den Betriebsbereich
008018	24-Volt Temperatur für die Relaissteuerung überschreitet den Betriebsbereich
008019	Die Umgebungstemperatur für den Hilfsstrom überschreitet den Betriebsbereich
009001	GFD-Trigger
009003	GFD Vorwarnung
009004	GFD Selbsttest fehlgeschlagen
00A001	Eingangsschütz 1 geschweißt
00A002	Eingangsschütz 1 fehlerhafter Antrieb
00A003	Eingangsschütz 2 geschweißt
00A004	Eingangsschütz 2 fehlerhafter Antrieb
00A005	Positive Seite des Ausgangsrelais für CCS-Ladung geschweißt
00A006	Positive Seite des Ausgangsrelais für CCS-Ladung fehlerhafter Antrieb
00A007	Positive Seite des Ausgangsrelais für CCS-Ladung geschweißt
00A008	Positive Seite des Ausgangsrelais für CHAdeMO-Ladung fehlerhafter Antrieb
00A009	Negative Seite des Ausgangsrelais für CCS-Ladung geschweißt
00A00A	Negative Seite des Ausgangsrelais für CCS-Ladung fehlerhafter Antrieb
00A00B	Negative Seite des Ausgangsrelais für CHAdeMO-Ladung geschweißt
00A00C	Negative Seite des Ausgangsrelais für CHAdeMO-Ladung fehlerhafter Antrieb
00B001	Firmware-Update für Hilfsstrommodul fehlerhaft
00B002	Firmware-Update Relaissteuermodul fehlerhaft
00B003	Temperatursensor am Eingangsschütz defekt
00B004	Firmware-Update für CCS-Lademodul fehlerhaft
00B005	Firmware-Update CHAdeMO -Lademodul fehlerhaft
00B006	Firmware-Update Stromwandlermodul fehlerhaft
00C001	SPS-Modul für CCS Laden defekt
00C002	CCS Näherung getrennt
00C003	Laden unterbrochen von CCS EV
00D001	Keine Ladeberechtigung von CHAdeMO EV
00D002	Batteriestörung von CHAdeMO EV
00D003	Batterie nicht kompatibel mit CHAdeMO EV
00D006	Voreinstellung Ausgangsstrom weicht ab von Zielstrom

Alarmcode	Beschreibung
00D007	Batterie OTP von CHAdeMO EV
00D008	Voreinstellung Ausgangsspannung weicht ab von Zielspannung
00D009	Position Shift-Alarm von CHAdeMO EV
00D00A	EV anderer Fehler von CHAdeMO EV
00D00B	CHAdeMO Steckerverriegelung defekt

Fehlerbehebung

- Der Bildschirm der DC Wall Box schaltet sich nicht ein?
 1. Prüfen Sie, ob der Schlüsselschalter eingesteckt ist.
 2. Prüfen Sie, ob die Multifunktionstaste unter dem Bildschirm leuchtet.
 - a. Wenn die Taste nicht leuchtet, prüfen Sie bitte, ob das Ladegerät in die Steckdose eingesteckt ist.
 - b. Wenn die Tasten leuchten, ist das Display defekt. Rufen Sie dann bitte die Servicenummer an.

- Keine Verbindung mit 3G/4G, was soll ich tun?

Bitte prüfen Sie, ob eine „stiftlose“ SIM-Karte in das Ladegerät eingesteckt ist und ob das Modemkabel ebenfalls eingesteckt ist.

- 3G/4G-Verbindung hergestellt, aber keine Backend-Verbindung (Alarm 006009).
 1. Bitte die Konfiguration der OCPP-Einstellungen überprüfen.
 2. Bitte das Backend auf Fehler prüfen.

- Die Multifunktionstaste lässt sich nicht betätigen.

Prüfen Sie, ob die Taste und das Display leuchten.

 - a. Wenn die Taste/der Bildschirm nicht leuchtet, bitte prüfen, ob das Ladegerät in die Steckdose eingesteckt ist.
 - b. Wenn nur eine der Tasten nicht leuchten sollte, ist die andere Taste defekt. Wenden Sie sich dann bitte telefonisch an den Kundendienst.

- Weshalb ist die DC Wall Box nach der Installation instabil oder wackelig?

Prüfen Sie die Montagehalterung und ggf. auch, ob die Wand über ausreichende Tragfähigkeit verfügt, d.h. 80 kg. Wenn die Montagehalterung sicher ist, die Tragkraft der Wand jedoch nicht ausreichen sollte, müssen Sie eine Wand mit entsprechender Tragkraft für das EF-Ladegerät wählen.

- Kein Ladevorgang nach dem Wischen der RFID-Karte.
 1. Überprüfen Sie die Konfigurationseinstellungen. Der Authentifizierungsmodus muss mit der Delta Card ausgeführt werden.
 2. Versuchen Sie es mit einer anderen Delta Card. Wenn der Versuch mit dieser Karte erfolgreich ist, müssen Sie die andere RFID-Karte austauschen.

- Was soll ich tun, wenn ich die Alarm-Taste unabsichtlich gedrückt habe. (Alarmcode: 00400A)

Drehen und ziehen Sie die rote Taste zur linken Seite des Ladegerätes, dann arbeitet das Ladegerät wieder normal.

Technische Daten

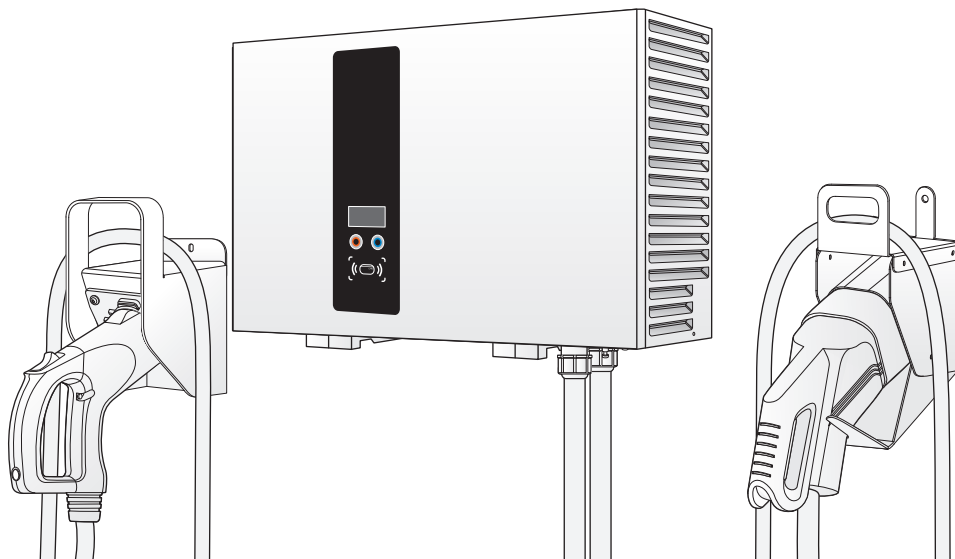
Modell	EVDE25XXDXX	EVDE25XXEEX
Eingangsleistung	380-415 Vac; 50/60Hz; 50A max.	200-230 Vac; 50/60Hz; 90A max.
Verkabelung	3-phasig/L1, L2, L3, N, PE	3-phasig/L1, L2, L3, PE
Leistungsfaktor	> 0,98	
Strom Verzerrung	Gemäß EN61000-3-12, IEEE 519	
Effizienz	94%	
DC-Ausgang Nr. 1	IEC CCS DC Level 2, 50-500 Vdc, 60A max., 25kW max.	
DC-Ausgang Nr. 2	CHAdeMO, 50-500 Vdc, 60A max., 25 kW max.	
Schutz	Überstrom, Überspannung, Unterspannung, Stoßstrom, Kurzschluss, Übertemperatur, Massefehler	
Display	2,7 OLED-Display	
Drucktasten	Mehrfunktionstasten (LED-Beleuchtung: Orange, Blau)/Not-Aus-Taste (Rot)	
Authentifizierung	ISO/IEC 14443 Typ A/B RFID für Benutzerauthentifizierung	
Netzwerkschnittstelle	Ethernet (Standard); Cellular (optional, Micro SIM-Karte)	
Betriebstemperatur	-30°C bis 50°C	
Luftfeuchte	< 95% relative Feuchte, nicht kondensierend	
Höhe	Bis zu 2000 m	
Schutzklasse	IP55	
IK-Klasse	IK08 gemäß IEC62262	
Kühlung	Zwangsluft	
Ladekabel	Standard: 4 m Optional: IEC CCS DC 7 m	
Abmessungen (B x H x T)	680 x 430 x 230 mm	
Gewicht	43 kg, ohne Stecker und Kabel	
Zertifizierung	IEC 61851-1, IEC 61851-23	
Elektromagnetische Verträglichkeit:	IEC16000 Klasse B FCC Part 15 Klasse B	





DC Wallbox-laadoplossing

Installatie- en bedieningshandleiding



Versie: 1.2.0

Uitgiftedatum: 2020/03

INHOUDSTAFEL

Invoering	1
Functionaliteiten	1
Toepassingen	2
Belangrijke veiligheids- en bedradingsinstructies	3
Kiezen van installatielocatie	3
Veiligheid en naleving	3
Bekabeling	3
Voor installatie	5
Veiligheidseisen	5
Accessoireset	5
Aanbevolen gereedschap	6
Installatie van de DC Wallbox-laadoplossing	7
Verbinding maken	10
Bediening	17
Systeemconfiguratie	19
3G-configuratie	20
Firmware-update	20
Onderhoud	21
Garantie	21
Algemene garantie-eisen	21
Verwijdering	21
Systeemcode	22
Probleemoplossing	25
Specificaties	26

Conventies

Algemene conventies

De volgende conventies worden gehanteerd in deze handleiding:



Opmerking:

Duidt aanvullende informatie aan die relevant is voor het huidige proces of procedure.



WAARSCHUWING!

Waarschuwing wordt weergegeven voor de tekst waarnaar het verwijst om te benadrukken dat de inhoud schade kan voorkomen aan het apparaat of apparatuur.



LET OP!

LET OP WORDT WEERGEGEVEN VOOR DE TEKST WAARNAAR HET VERWIJST. LET OP WORDT WEERGEGEVEN IN HOOFDLETTERS OM TE BENADRUKKEN DAT DE MEDEDELING BELANGRIJKE GEZONDHEIDS- EN VEILIGHEIDSINFORMATIE BEVAT.

Typografische conventies

De volgende typografische conventies worden gehanteerd in dit document:

Cursief

Geeft boektitels en map-, bestands-, pad-, programma- en procesnamen aan.

Vaste breedte

Geeft computeruitvoer op een computerscherm aan, inclusief menu's, aanwijzingen, reacties op invoer en foutmeldingen.

Vaste breedte vetgedrukt

Geeft letterlijk door de gebruiker op de computer ingevoerde opdrachten of informatie aan. Variabelen in de gebruikersinvoer worden weergegeven tussen vishaken (<>).

Vetgedrukt cursief

Geeft door de gebruiker ingedrukte toetsen aan.

Copyright

Het eigendom en alle Intellectueel eigendomsrechten van deze Installatie- en gebruikershandleiding (deze "Handleiding"), waaronder, maar niet beperkt tot de hierin vervatte inhoud, data en figuren behoren toe aan Delta Electronics, Inc. ("Delta"). De Handleiding kan enkel toegepast worden bij bediening of gebruik van het product. Elke vorm van beschikking, verspreiding, reproductie, aanpassing, vertaling, extractie of ander gebruik van de Handleiding is verboden zonder voorafgaande schriftelijke toestemming van Delta. Omdat het product voortdurend wordt ontwikkeld en verbeterd, kan Delta de Handleiding van tijd tot tijd aanpassen of bijwerken zonder kennisgeving. Delta doet zijn best om de Handleiding actueel en juist te houden. Delta wijst elke vorm van garantie of verbintenis af, zowel nadrukkelijk als impliciet, waaronder, maar niet beperkt tot de volledigheid, juistheid, niet-inbreuk, verkoopbaarheid of geschiktheid voor een bepaald doel of gebruik.

Copyright © Delta Electronics, Inc. Alle rechten voorbehouden.

Invoering

De DC Wallbox-laadoplossing is de beste keuze voor het opladen van elektrische voertuigen op accu en voor alle elektrische plug-in-voertuigen. Hij is ontworpen voor snelladen op zowel particuliere als openbare plekken, denk hierbij aan gemeenschappelijke parkeergarages, algemene oplaadpunten, tankstations, privégarages, etc.

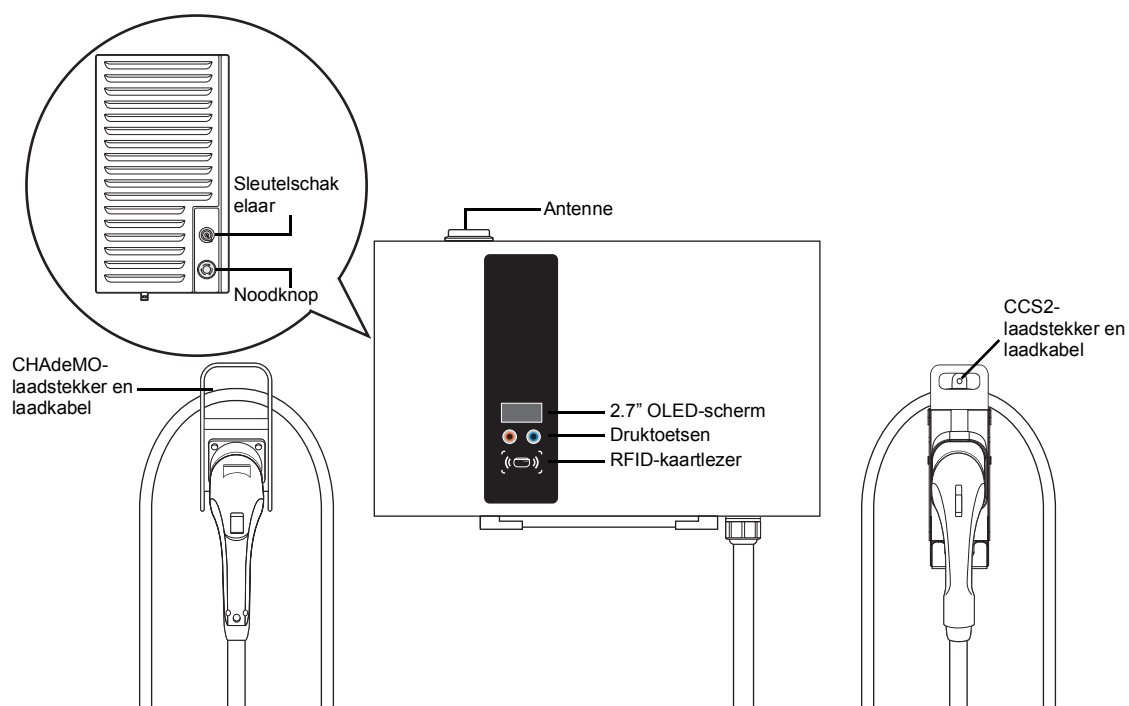
Een voordeel van de DC Wallbox-laadoplossing is de eenvoudige installatie. Het bevestigingssysteem voor aan de muur en de stekkeraansluiting zijn zo ontworpen dat de installatie flexibel en kosteneffectief op verschillende soorten locaties uit te voeren is. De DC Wallbox-laadoplossing beschikt ook over de mogelijkheid tot netwerkcommunicatie; hij kan op afstand verbinding maken met netwerksystemen en bestuurders van elektrische auto's voorzien van real-time informatie zoals de locatie van laadstations, de voortgang van het laden en factuurgegevens. De DC Wallbox-lader heeft een duidelijke interface met functietoetsen, een beveiligde stroomvoorziening en is volledig water- en stofdicht, zodat dit de beste keuze is voor buitengebruik. Ook is integratie met duurzame energiesystemen zoals zonne- en windenergie mogelijk om zo de meest energiebesparende infrastructuur voor elektrische voertuigen te kunnen bieden.

Functionaliteiten

- Eenvoudige en flexibele installatie dankzij het bevestigingssysteem voor aan de muur en de stekkeraansluiting voor stroommodules.
- Het gemak van volledige controle over het starten en stoppen van het opladen met een geautoriseerde RFID-smartcard.
- Gebouwd conform de nieuwste industriestandaarden voor DC-laden.
- Voldoet aan de normering voor buitengebruik en biedt dus weerstand aan het binnendringen van vocht in de buitenlucht, waardoor de eenheid stabiel en zeer betrouwbaar is.
- Heeft een interface met meerdere functietoetsen op OLED-scherm met hoog contrast.

Toepassingen

- Openbare of particuliere parkeergelegenheid
- Gemeenschappelijke parkeergelegenheid
- Parkeergelegenheid bij hotels, supermarkten en winkelcentra
- Parkeergelegenheid bij kantoor
- Laadstations
- Tankstations



Belangrijke veiligheids- en bedradingsinstructies

Kiezen van installatielocatie

DC Wallbox kan zowel binnen als buiten geïnstalleerd worden. Het is belangrijk om de installatieomstandigheden en veiligheid op de locatie in overweging te nemen:

- Ga te werk conform lokale elektrische wetgeving en installatiestandaarden
- Denk na over vluchtwegen op de installatielocatie
- Installeer het apparaat niet in een explosiegevaarlijke omgeving.

Veiligheid en naleving

- Lees de handleiding vóór installatie en gebruik van het apparaat.
- Stop geen gereedschap, materiaal of lichaamsdelen in de elektrische voertuigconnector.
- Maak geen gebruik van de DC Wallbox-laadoplossing als het kastje, het snoer of de laadkabel versleten zijn, het isolatielaagje kapot is of er enig ander spoor van beschadiging zichtbaar is.
- Installeer of gebruik de DC Wallbox-laadoplossing niet als de verpakking kapot, gebarsten, geopend is of andere tekenen van beschadiging vertoont.
- De DC Wallbox-laadoplossing dient geïnstalleerd te worden door een gekwalificeerde technicus.
- Zorg ervoor dat de materialen die worden gebruikt en de installatieprocedures die worden gevolgd conform lokale bouwvoorschriften en veiligheidsstandaarden zijn.
- De informatie in deze handleiding stelt de gebruiker in geen geval vrij van de verantwoordelijkheid alle geldende voorschriften en veiligheidsstandaarden na te leven.
- De fabrikant is niet verantwoordelijk voor lichamelijk letsel, materiële schade of schade aan apparatuur die ontstaan is door de installatie van dit apparaat.
- Dit document geeft instructie over de DC Wallbox-laadoplossing en zou niet gebruikt moeten worden voor enig ander product. Vóór installatie en gebruik van dit product, dient men de handleiding zorgvuldig door te nemen en te overleggen met een erkende aannemer, elektricien of opgeleide installatie-expert, om te zorgen dat rekening wordt gehouden met lokale bouwvoorschriften en veiligheidsstandaarden.

Bekabeling

Aardverbinding

Zorg er altijd voor dat de nulgeleider geaard is. Indien aarding niet geregeld is, dan dient dit alsnog dicht in de buurt van de installatieplaats geïnstalleerd te worden. De aarding moet verbonden zijn met de grondpaal in het schakelpaneel, en de nulgeleider dient op dat moment verbonden te zijn met de aarding.

De koperdoorsnede van de veiligheidsaarde mag geen koperen oppervlakte hebben dat groter is dan 10 mm².

380V - 415V Driefase



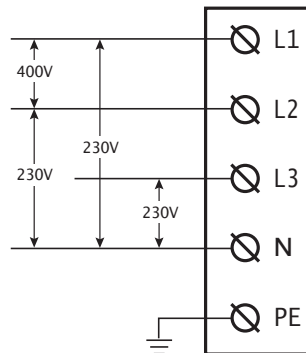
WAARSCHUWING!

Deze feed is afkomstig van een electriciteitsnet met y-verbinding, en de DC Wallbox kan worden aangesloten op L1, L2 of L3 en nul. Aarding moet direct aangesloten zijn op neutraal op een enkel punt, normaal gesproken bij het schakelpaneel.



WAARSCHUWING!

Aarding is noodzakelijk voor het aansluiten van een voeding.



200V - 230V Driefase



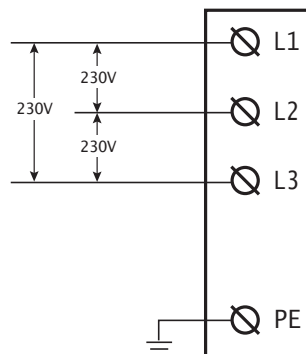
WAARSCHUWING!

De volgende diagram laat de verbinding van de DC Wallbox naar de L1, L2 en L3 zien in een electriciteitsnet met driehoeksschakeling. De aarding moet op enkel punt verbonden zijn met de nulgeleider, normaal gesproken bij het schakelpaneel.



WAARSCHUWING!

Aarding is noodzakelijk voor het aansluiten van een voeding.

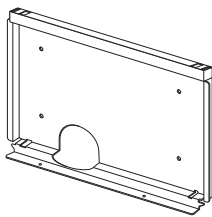


Voor installatie

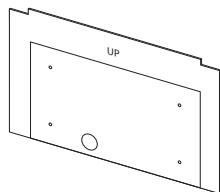
Veiligheidseisen

- Zorg dat de standaardpraktijkvoorschriften worden bestudeerd en dat lokale bouwvoorschriften en voorschriften rondom elektra worden gevolgd vóór installatie van de DC Wallbox-laadoplossing.
- De DC Wallbox-laadoplossing dient geïnstalleerd te worden door een erkend electricien, conform de handleiding en lokaal geldende veiligheidsvoorschriften.
- Gebruik passende bescherming bij het aansluiten van de belangrijkste stroomkabel.
- Ontkoppel schakelaar van elke niet-geaarde geleider van ac, input wordt geleverd door anderen conform de IEC61851-1.
- Bij driefase input van 380Vac-415Vac met vier draden, dient de type C of D-schakelaar met type A, 4-polig 30mA RCD in het opwaartse stroompaneel geïnstalleerd te zijn, en de stroom van de aardlekschakelaar zou 50A moeten zijn.
- Bij driefase input van 200Vac-230Vac met drie draden, dient de type D-schakelaar met type A, 3-polig 30mA RCD in het opwaartse stroompaneel geïnstalleerd te zijn, en de stroom van de aardlekschakelaar zou 100A moeten zijn.

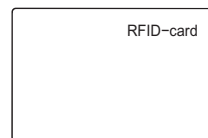
Accessoireset



Bevestigingsbeugel x 1



Bevestigingsmal x 1



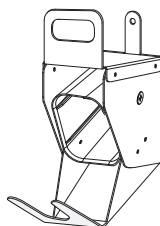
RFID-cards x 2



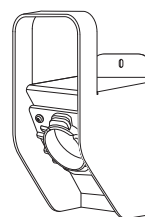
Sleutels x 2



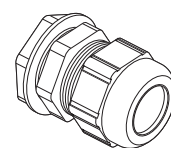
Handleiding x 1



CCS2-stekkerhouder x 1



CHAdEMO-stekkerhouder x 1
(alleen model met dubbele output)



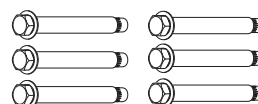
Kabelwartel x 1



Zakje beugelschroeven x 2
(SCREW M M6*1*8 PAN TORX SUS NL)



Zakje aardschroeven x 1 (SCREW M M6*1*12 HEXH C S+P S20C ZN-NI)



Zakje bouten x 6 (+2 bij model met dubbele output) (ANCHOR SUS 16*50.8 PICKLING)

Aanbevolen gereedschap

Het volgende gereedschap wordt aangeraden bij de installatie van de DC Wallbox-laadoplossing.

- (1) Spanningsmeter/voltmeter
- (1) Waterpas
- (1) Hamer
- (1) Betonboor
- (1) Draadsnijder/-stripper
- (1) Torx® Tamper-Resistant T15 en T25 schroevendraaier
- (1) Nr. 8 Platkopschroevendraaier en dopsleutel
- (1) Nr. 6 Platkopschroevendraaier
- (1) Nr. 2 Philips-schroevendraaier
- (1) Nr. 3 Philips-schroevendraaier
- (1) M50 kabelgoot, kabelwartel en sleutel voor belangrijkste stroomkabels
- (1) M25 kabelgoot, kabelwartel en sleutel voor Ethernet
- (1) Ringkabelschoen RNB14-6 voor L1/L2/L3/N-draden (14 mm² koperdraad) voor modellen met 380V-415V driefase-input.
- (1) Ringkabelschoen RNB38-6 voor L1/L2/L3-draad (38mm² koperdraad) voor modellen met 200V-230V driefase-input
- (1) Ringkabelschoen RNB14-6 voor PE/geaard draad (14 mm² koperdraad)

Belangrijke veiligheidsinstructies.

Bewaar deze instructies.

- De DC Wallbox-oplaadoplossing zou enkel geïnstalleerd moeten worden door een erkend aannemer en/of een erkend elektricien conform alle geldende lokale wet- en regelgeving en standaarden.
- Neem deze handleiding goed door vóór installatie en raadpleeg een erkende aannemer, elektricien of een opgeleide installatie-expert om te zorgen dat de installatie wordt uitgevoerd conform plaatselijke voorschriften, veiligheidsstandaarden en overige lokale wet- en regelgeving.



WAARSCHUWING!

Risico op elektrische schok of letsel. Schakel de stroom uit bij het paneel of laadcentrum voordat aan de apparatuur wordt gesleuteld of onderdelen worden verwijderd. Verwijder niet de beschermende onderdelen van het stroomcircuit of andere componenten totdat de stroom is uitgeschakeld.



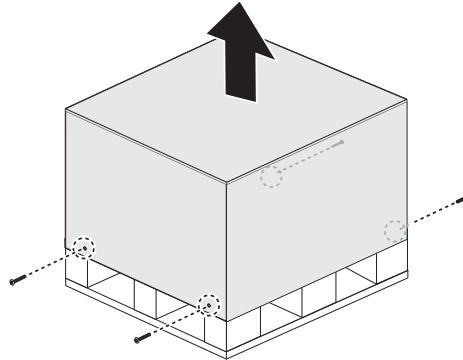
LET OP!

ZORG ER, OM SCHADE AAN DE LAADOPLOSSING OF PERSOONLIJK LETSEL TE VOORKOMEN, VOORDAT DE PLEK VAN INSTALLATIE GESCHIKT IS OM HET GEWICHT VAN DE DC WALLBOX-LADER TE KUNNEN DRAGEN.

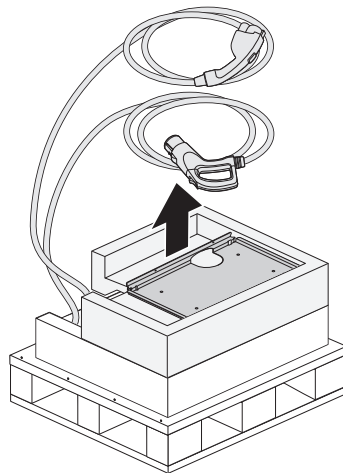
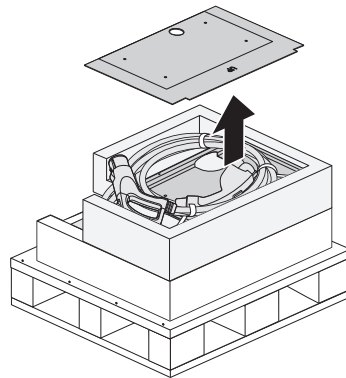
Installatie van de DC Wallbox-laadoplossing

Vorbereiding

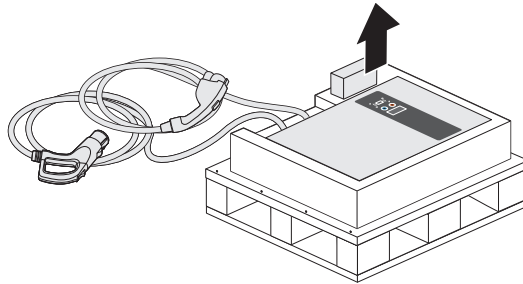
1. Maak de schroeven op het krat (aan twee kanten) los met een nr. 8-moersleutel.
2. Open de bovenkant van de triplex krat.



3. Haal de bevestigingsplaat eruit en snijd de kabelbanden los om de laadstekker te verplaatsen.



4. Verwijder het schuim aan de bovenkant, open de plastic zak en haal de unit eruit.

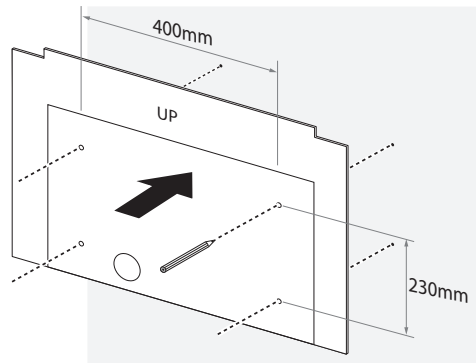


Opmerking:

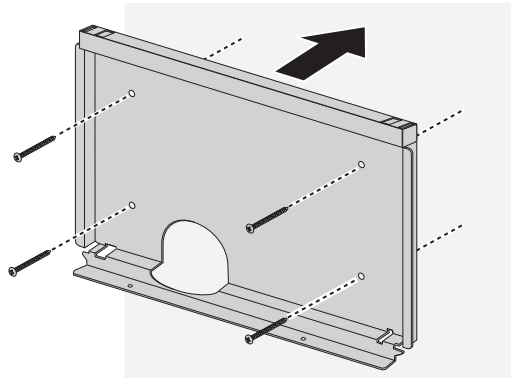
Plaats de unit en de laadstekker voorzichtig op de grond of een vlakke ondergrond.

Muurbevestiging

1. Gebruik template en waterpas om de bevestigingsplaats te bepalen.



2. Bevestig beugel aan de muur.



Opmerking:

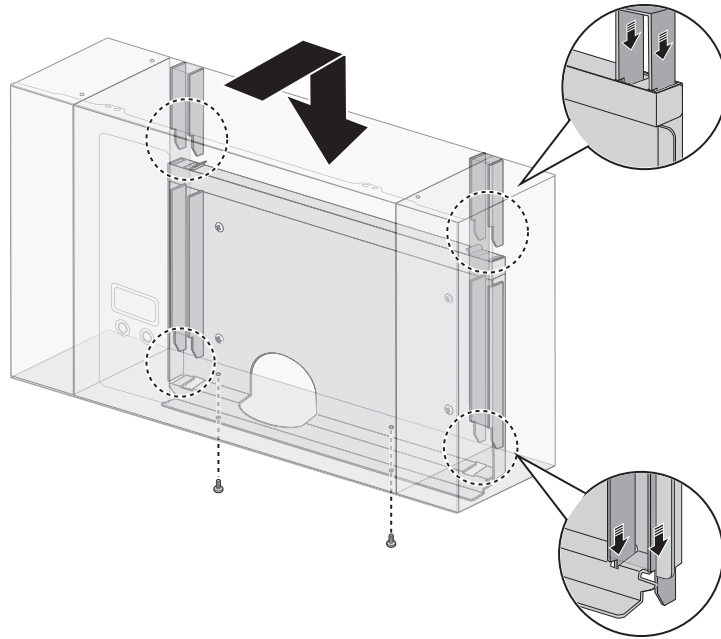
- De unit dient aan een stevige muur bevestigd te worden (bij voorkeur van beton of metaal).
- Gebruik de bouten uit de accessoireset of kies de juiste schroeven uit voor andere muurtypen. Een kloppboormachine kan nodig zijn in bepaalde gevallen.
- Houd u aan toegankelijkheidsvereisten die van toepassing zijn op de bevestigingsplaats. De unit zou op dusdanige hoogte van de grond geplaatst moeten zijn, dat de hoogte van de opslag tussen de 60 cm (24 inch) en 120 cm (4 feet) vanaf de grond is conform NEC Artikel 625.



WAARSCHUWING!

Laat om te zorgen voor voldoende ventilatie en onderhoudsruimte minimaal 45 cm (18 inch) vrij aan beide kanten van de lader.

3. Plaats de unit op de steun. Zorg dat het achterstel van de unit op één lijn wordt geplaatst met de corresponderende uitsparing in de steun. Schuif de unit langzaam naar beneden totdat deze stevig op de steun rust. Maak vast met twee schroeven aan de onderkant.



Opmerking:

De onderste schroeven zitten in de accessoireset.

Verbinding maken

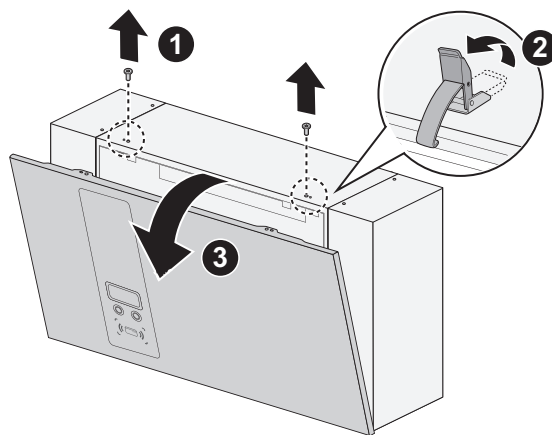


WAARSCHUWING!

Maak enkel gebruik van een **Torx® Tamper-Resistant T15**-schroevendraaier om schroeven vast te zetten of te verwijderen. Gebruik van ander gereedschap kan schroeven en paneel beschadigen.

Bedrading

1. Open de voorkant voor bedrading.
 - a. Maak twee schroeven aan de bovenkant los.
 - b. Maak de twee grendels los om de voorkant te openen.
 - c. Leg de voorkant voorzichtig neer.



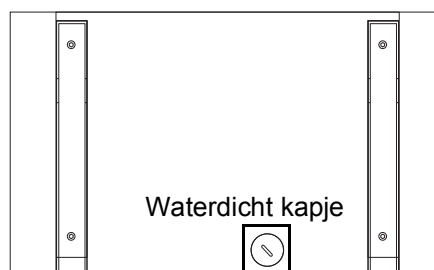
2. De bedrading kan zowel via de onderkant als de achterkant lopen. Kies de locatie waar de stroomdraden moeten lopen.

Bedrading via onderzijde:

- a. Trek de bedrading vanaf de onderkant naar boven. Zorg ervoor dat de bedrading de connectoren goed kan bereiken voordat deze wordt vastgezet.
- b. Ga door met het vastzetten van de draden, zie volgende stap.

Bedrading via de achterkant:

- a. Verwijder het waterdichte kapje aan de achterkant van de behuizing en plaats het waterdichte kapje op de plek waar de draden binnenkomen aan de onderkant van de behuizing.



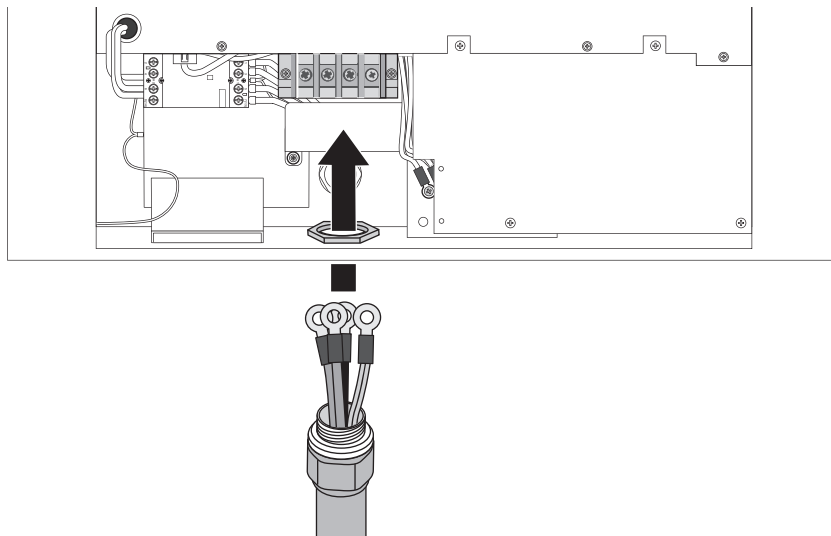
- b. Ga door naar de volgende stappen.



LET OP!

BEDRADEN VIA DE ACHTERKANT KAN MOGELIJK WATERLEKKAGE VEROORZAKEN. KIES NIET VOOR DEZE BEDRADING OP BUITENLOCATIES.

3. Bevestig kabelwartel om draden vast te zetten.



Opmerking:

Maak gebruik van **gecertificeerde IP55 (of hoger)** voor bescherming tegen weersinvloeden.

4. Verwijder klepje van klemmenblok en verbind de bedrading via de juiste terminals. Bekijk de volgende informatie voor verbindingen van specifieke modellen.

Bedradingsvereisten zijn afhankelijk van het modeltype en eenfase- en driefase-modellen.

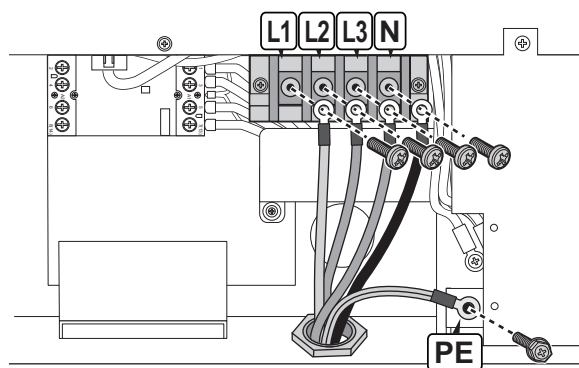


WAARSCHUWING!

Kabelkleurcodering kan anders bepaald zijn afhankelijk van de regio.

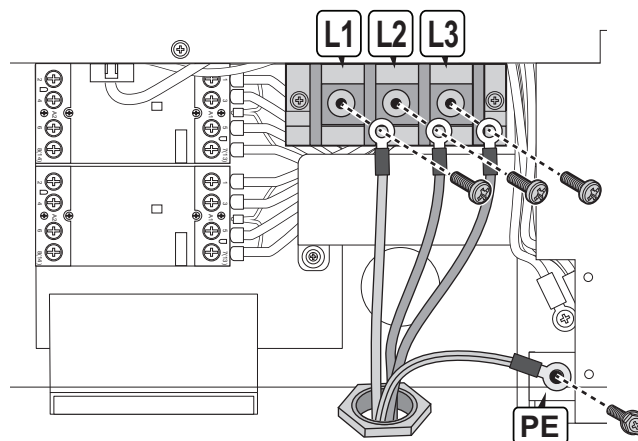
Driefase

Bedrading van de 380Vac - 415Vac

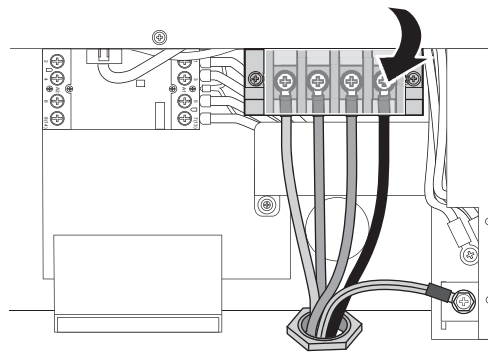


- Gebruik kabelgoot en -leiding van M50-formaat conform EN 61386-24.
- Verbind de stroomkabels van 4 x RNB14-6 kabelschoenen met de ingangsaansluiting die gemarkeerd is met 'L1', 'L2', 'L3' en 'N' door gebruik te maken van 4 x M6.0 schroeven met 33 kg-cm Torque-kracht.
- Verbind de aarddraad van RNB14-6 in de aardingsklem die is gemarkeerd met aardingsymbool door (⊕) gebruik te maken van 1 x M6.0 schroef met 20 kg-cm Torque-kracht.

Bedrading van de 200Vac - 230Vac



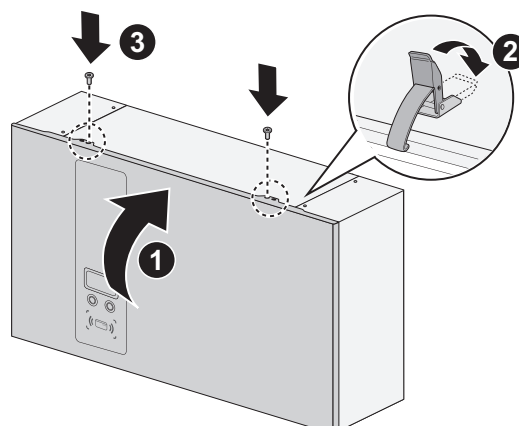
- Gebruik kabelgoot en -leiding van M50-formaat conform EN 61386-24.
 - Verbind de stroomkabels van 3 x RNB14-6 kabelschoenen met de ingangsaansluiting die gemarkeerd is met 'L1', 'L2' en 'L3' door gebruik te maken van 3 x M6.0 schroeven met 33 kg-cm Torque-kracht.
 - Verbind de aarddraad van RNB14-6 in de aardingsklem die is gemarkeerd met aardingsymbool door (\oplus) gebruik te maken van 1 x M6.0 schroef met 20 kg-cm Torque-kracht.
5. Draai ieder draad vast met de juiste schroef. Zorg dat de juiste hoeveelheid torque is gebruikt. Zie opgesomde informatie.
 6. Plaats klepje terug op het klemmenblok.



LET OP!

ZORG DAT DE BEKABELING VÓÓR DE INSTALLATIE OP DEZELFDE HOOGTE ZIT ALS DE OPENING VOOR DE KABELINVOER VAN DE DC WALLBOX-LADER.

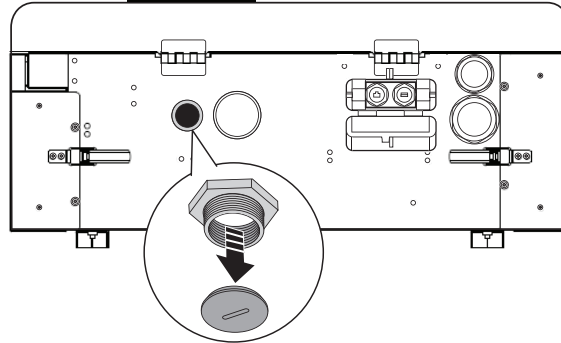
7. Plaats de voorkant terug en maak schroeven stevig vast.



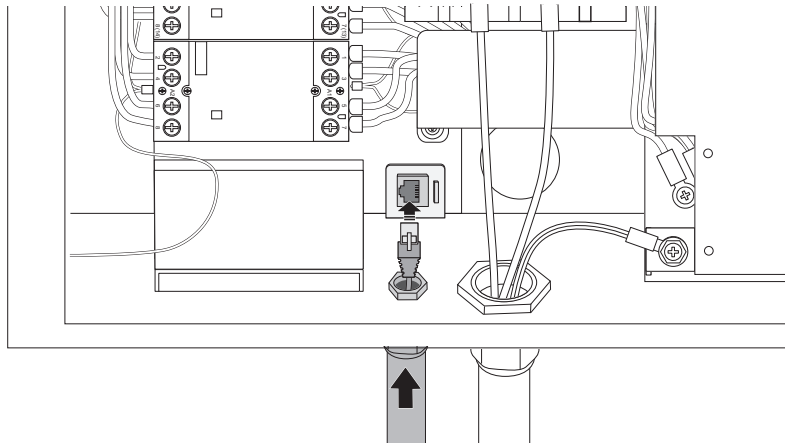
Ethernet-verbinding

Het is aan te raden om de Ethernet-kabels door de toegangspoorten aan de onderkant te trekken. Het is noodzakelijk om de voorkant open te maken.

1. Verwijder het waterdichte kapje van de Ethernet-toegangspoort.



2. Trek de kabel door de poort en verbind de Ethernet-kabel met de terminal.
3. Bevestig de kabelwartel om de kabel vast te zetten.

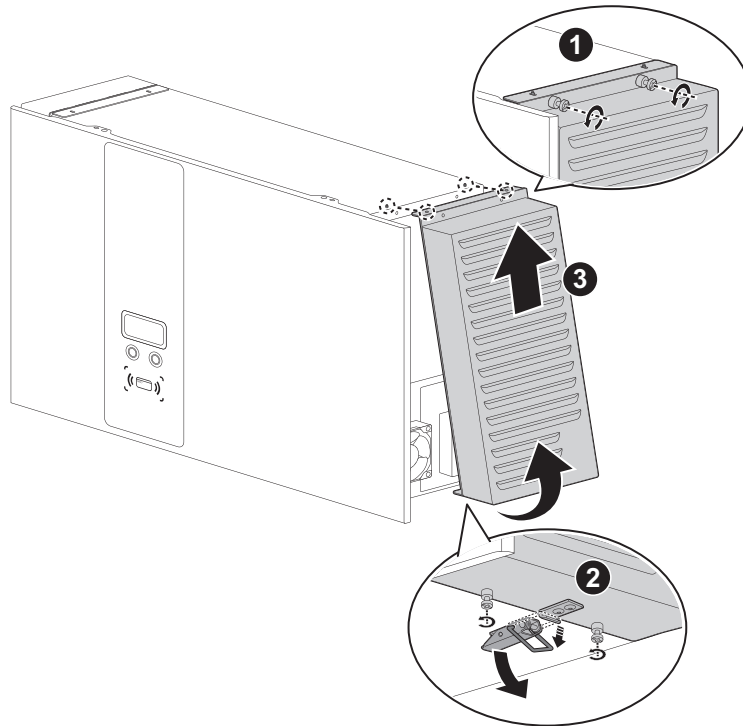


Opmerking:

Maak gebruik van **gecertificeerde IP55 (of hoger)** voor bescherming tegen weersinvloeden.

3G-verbinding

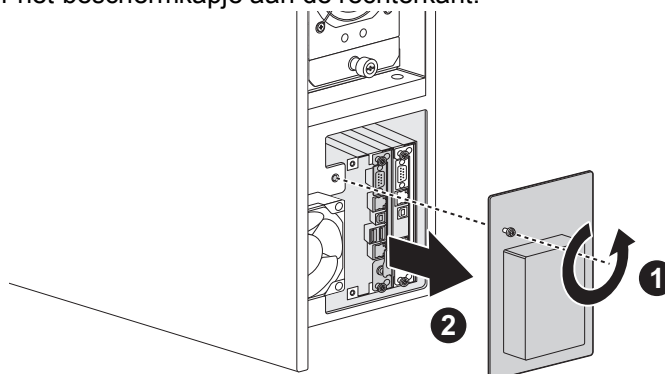
1. Verwijder de filterafdekking aan de rechterkant.
 - a. Maak de schroeven aan de bovenkant los.
 - b. Maak de schroeven aan de onderkant los en trek de grendel los.
 - c. Open en verwijder de filterafdekking.



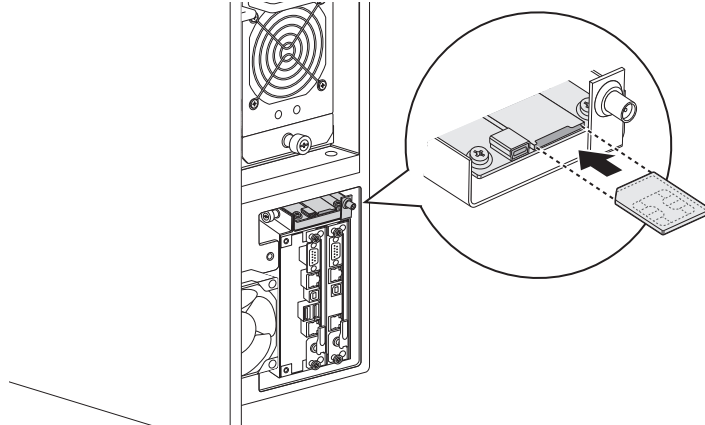
WAARSCHUWING!

Maak enkel gebruik van een **Torx® Tamper-Resistant T25**-schroevendraaier om schroeven vast te zetten of te verwijderen. Gebruik van ander gereedschap kan schroeven en paneel beschadigen.

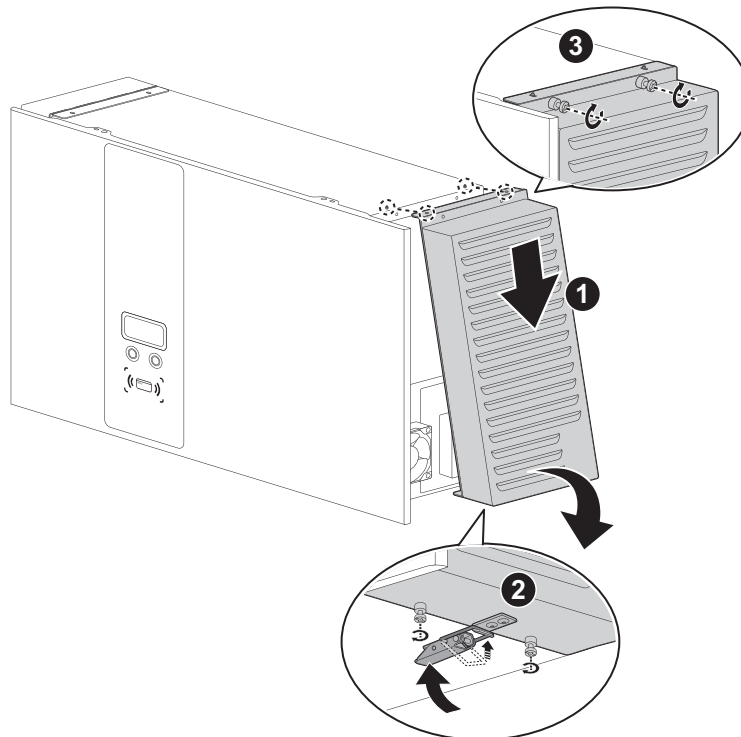
2. Verwijder het beschermkapje aan de rechterkant.



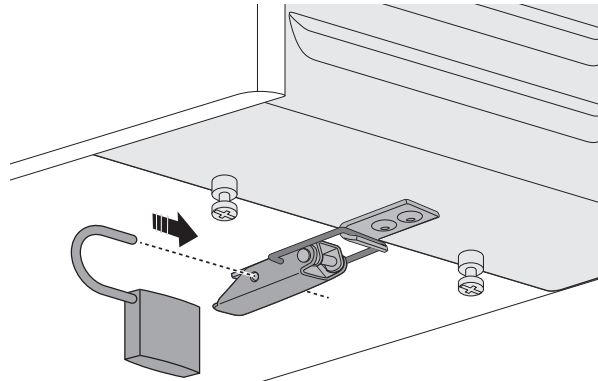
3. Steek de micro-simkaart in de 3G-openning.



4. Plaats de filterafdekking terug.
 - a. Plaats de filterafdekking op de unit.
 - b. Druk het pinnetje omlaag en plaats de filterafdekking terug.
 - c. Maak schroeven aan de onderkant vast.
 - d. Maak schroeven aan de bovenkant vast.

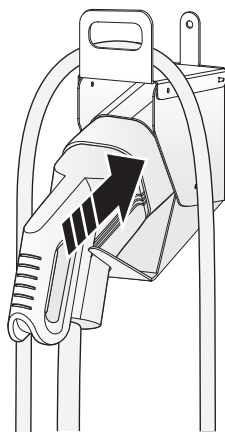


- e. Sluit de grendel aan de onderkant. De grendel heeft een gat met een diameter van 3,3 mm voor het plaatsen van een hangslot ter voorkoming van sabotage.

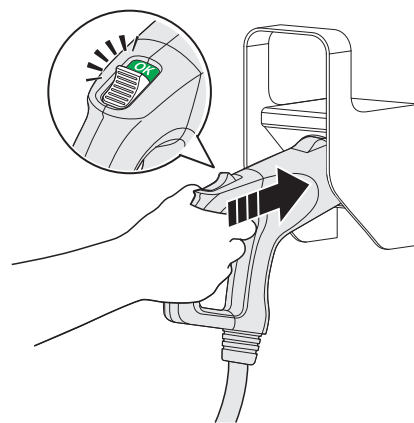


Stel de laadstekker in

1. Zet de laadstekker in de houder aan de muur
2. Plaats het laadsnoer en sluit correct aan.



IEC DC (CCS2)

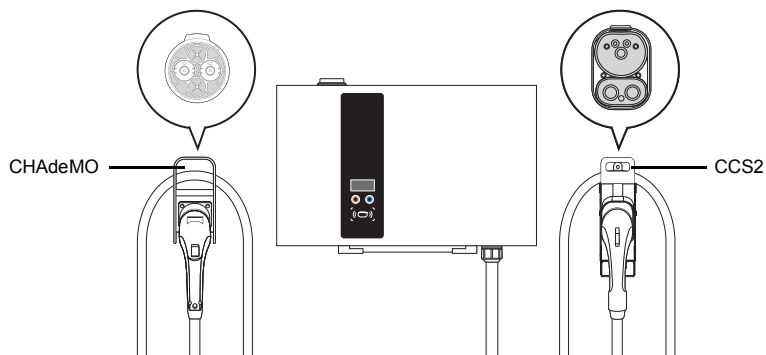


CHAdeMO, enkel voor het model met dubbele output

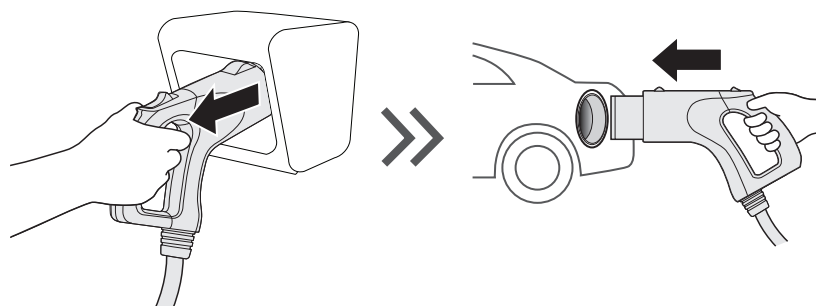
3. Zet stroom aan en draai aan de sleutel om de DC Wallbox te starten als alle stappen afgerond zijn.

Bediening

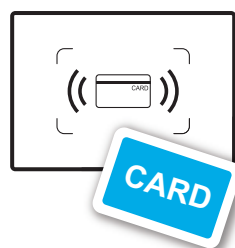
1. Kies voorkeurstaal.
2. Kies een passende stekker (CCS of CHAdeMO)



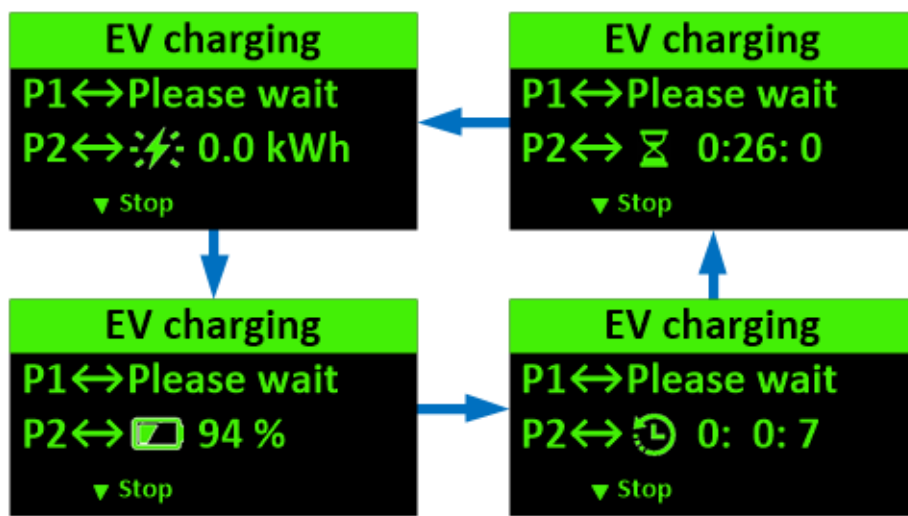
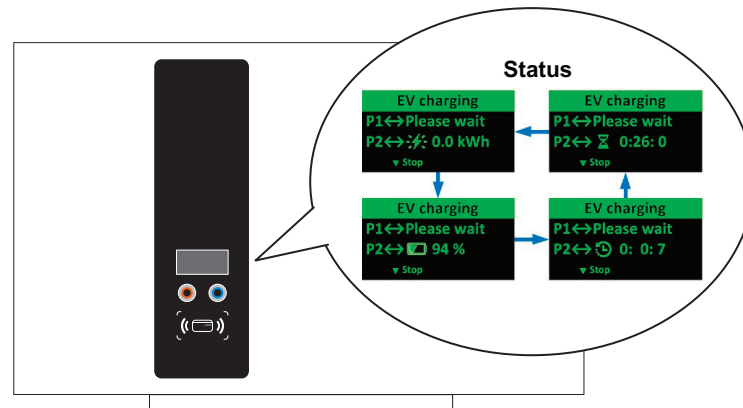
3. Sluit de stekker aan op het elektrische voertuig



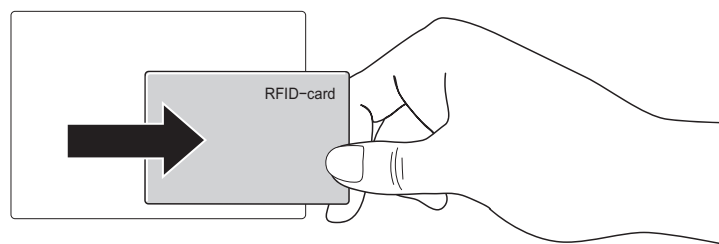
4. Swipe de geautoriseerde RFID-card om te beginnen met laden. De geautoriseerde RFID kan direct worden gebruikt zonder enige activering of instelling.



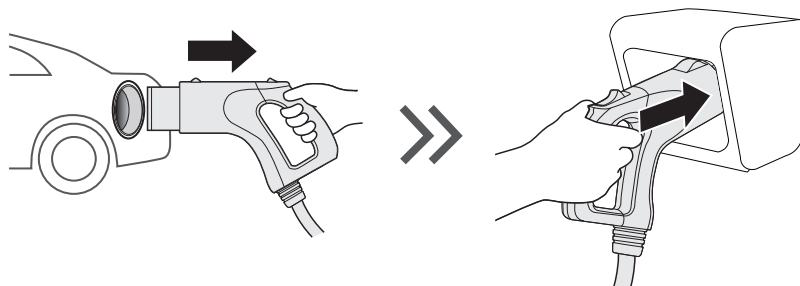
5. Zodra het laden begint, wordt statusinformatie getoond op het scherm. De volgende tekeningen laten de laadprocedure zien van start tot bijna volledig.



6. Swipe de geautoriseerde RFID-card om te stoppen.



7. Swipe de geautoriseerde RFID-card om te stoppen.



Systeemconfiguratie

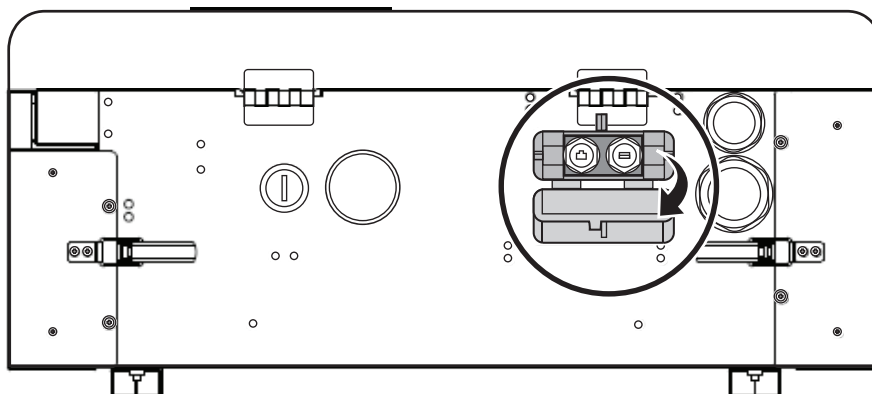


WAARSCHUWING!

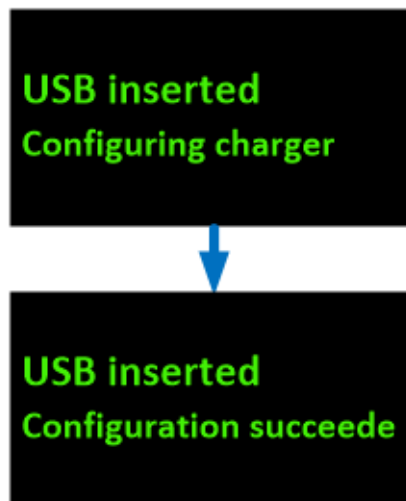
Configureer de lader alleen als deze niet in laadmodus staat om te voorkomen dat een lopende laadsessie wordt onderbroken.

Stappen

1. Neem contact op met serviceprovider om in te loggen bij de online configuratietool.
2. Als de configuratie is afgerond, kopieer dan het parameter-bestand (DeltaDCWallboxConfig) naar de hoofdmap van een USB-flashdrive (geformatteerd als FAT/FAT32, <32GB).
3. Steek de USB-stick in de USB-poort aan de onderkant (met het label: USB). De configuratie wordt geüpload naar de DC Wallbox.



4. Verwijder de USB-flashdrive als de configuratie is afgerond.



5. Sluit de beschermkap. De grendel heeft een gat met een voor het plaatsen van een hangslot ter voorkoming van sabotage.

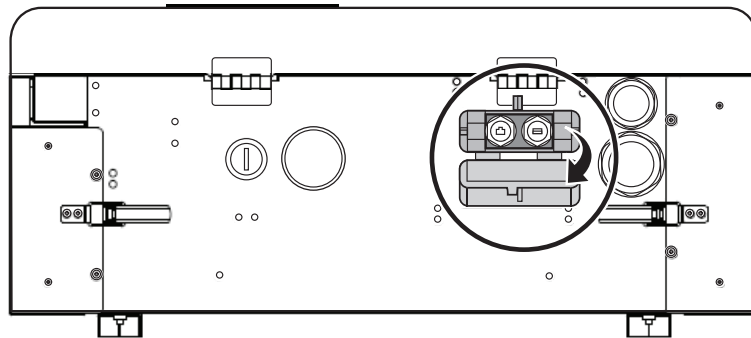
3G-configuratie

Bij modellen met een 3G-modem steekt u een geldige 3G (WCDMA)-simkaart in, zoals uitgelegd in de vorige stappen (pagina 14) om de 3G-verbinding te starten. Zorg vooraf dat de dataservice op de simkaart is geactiveerd. Schakel controle met pincode op de simkaart uit voordat deze in de modem wordt gestoken. Vraag APN-gegevens aan bij de provider en zorg dat APN juist is geconfigureerd via de configuratietool.

Firmware-update

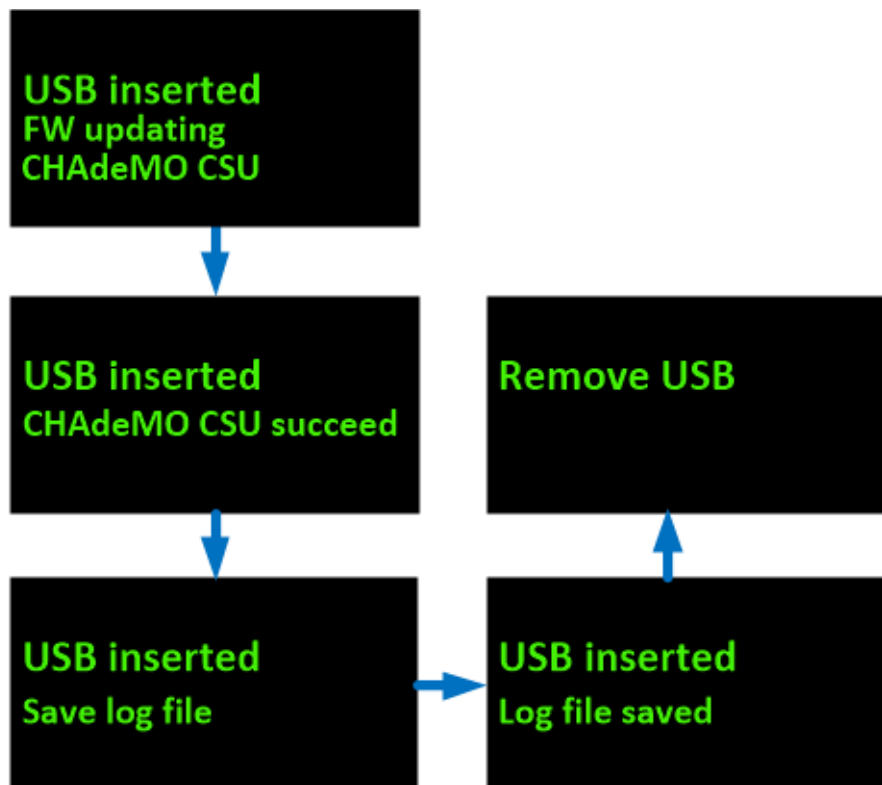
Firmware-updates kunnen worden uitgevoerd via de USB-poort aan de onderkant van het kastje.

1. Zorg voor een USB-flashdrive. Deze dient geformatteerd te zijn als FAT/FAT32, < 32GB.
2. Steek de USB-flashdrive in de USB-poort aan de onderkant (met het label: USB).



De bijgewerkte firmware is geüpload naar de DC Wallbox.

De status wordt weergegeven op het paneel.



3. Als het systeem de updateprocedure heeft voltooid, herstart deze automatisch.
4. Sluit de beschermkap. De grendel heeft een gat met een voor het plaatsen van een hangslot ter voorkoming van sabotage.

Onderhoud

Jaarlijkse vereisten

1. Vervang het ventilatiefilter.
2. Voer een visuele inspectie uit van de laadkabel en zorg ervoor dat de kabel geen zichtbare beschadiging of vervorming laat zien.
3. Voer een visuele inspectie uit van het laadpistool en zorg ervoor dat het geen zichtbare beschadiging, buiging of roest laat zien.



WAARSCHUWING!

Om het risico op een elektrische shock te vermijden, schakel de stroom uit bij het paneel of laadcentrum voordat u werkzaamheden uitvoert of onderdelen verwijdert. Verwijder niet de bescherming van het circuit of andere onderdelen totdat de stroom is uitgeschakeld.

Koppel de elektrische stroom naar de DC Wallbox uit voordat er onderhoud wordt uitgevoerd om ervoor te zorgen dat hij losstaat van de netspanning. Als dit niet gebeurt, kan dit lichamelijk letsel of schade aan het elektrische systeem en de oplaadunit opleveren.



Opmerking:

- Noteer de foutcode die op het scherm staat voordat u de stroom uitschakelt.
- Zelfs wanneer de hoofdschakelaar is uitgezet, kan het circuit voor de hoofdterminal nog gevaarlijk zijn.
- Onderhoud aan de DC Wallbox dient alleen uitgevoerd te worden door een gekwalificeerd technicus.
- Na het openen van de voorkant, zet u de hoofdschakelaar en de hulpschakelaar uit voordat onderhoudswerkzaamheden worden uitgevoerd.

Garantie

Algemene garantie-eisen

Delta garandeert dat de producten vrij zijn van materiaal- en fabricagefouten voor een periode van twee jaar voor EVSE op basis van de S/N die door de oorspronkelijke koper van Delta Company op het product is gestempeld. Deze garantie geldt alleen voor de oorspronkelijke koper en is niet overdraagbaar aan een derde partij.

Verwijdering

Laat het apparaat na een correcte ontmanteling door de serviceafdeling verwijderen met inachtneming van de geldende voorschriften voor afvalverwijdering. Elektrische en elektronische apparaten, inclusief accessoires, moeten gescheiden van het algemene afval worden verwijderd.



Recycle verpakkingsmateriaal dat recyclebaar is, zoals papier, karton, hout, etc. en gooi ander niet-recyclebaar verpakkingsmateriaal in de vuilnisbak. U kunt een belangrijke bijdrage leveren aan de bescherming van ons milieu door het materiaal te hergebruiken of te recyclen.

Systeemcode

Alarmcode	Omschrijving
004001	Invoerspanning van het systeem is hoger dan het werkbare bereik (> 305 volt)
004002	Invoerspanning van het systeem is lager dan het werkbare bereik (< 170 volt)
004003	Uitvoerspanning van het systeem is hoger dan het maximale voltage van de EV-accu
004004	Benodigde uitvoerspanning van EV is hoger dan huidige kunnen EVSE
004005	De temperatuur van de luchttoevoer of het relais is hoger dan toegestaan (> 60°C)
004006	De temperatuur van de CSS combo-laadstekker is hoger dan toegestaan <ul style="list-style-type: none"> ● REMA => (> 85°C) ● Phoenix => (> 75°C)
004007	De luchtfilter moet worden vervangen
004008	Systeemventilator is verzwakt dus deze moet vervangen worden
004009	De zelftest van de systeemcontroller is gefaald
00400A	Noodknop is ingedrukt
00400B	De gebruiker geautoriseerd door backend is gefaald
00400C	De gebruiker geautoriseerd door EVSE zelf is gefaald
00400D	De temperatuursensor van de luchttoevoer is defect
00400E	De temperatuursensor van het relais is defect
00400F	SPD-trigger
004010	Uitgangszekering aan CSS-kant is defect
004011	Uitgangszekering aan CHAdeMO-kant is defect
004012	De temperatuursensor van de CCS combo-laadstekker is defect
004013	De temperatuur van de luchttoevoer of het relais is lager dan toegestaan
004014	Gebruiker staakt laden
004017	Het systeem gaat op time-out als een gebruiker niet binnen 3 minuten na autorisatie de stekker aansluit.
004018	Laadtijd is stijgende (max: 2 uur)
004019	Onvoldoende opslagruimte systeemgegevens
004020	Onbekende fout
004021	Laden is op afstand gestopt door backend-office
004022	Binnenkomend voltage is dalende (< 20V, < 100ms)
004023	Ingaand voltage van Systeem L1 is lager dan toegestaan (< 170 volt)
005001	Communicatie met CHAdeMO-elektrisch voertuig werkt niet
005005	Communicatie met CCS EV werkt niet
005006	Netgelijkrichter is defect (SMR)
005007	Communicatie met CSS-controller werkt niet
005008	Communicatie met hulpstroom-module werkt niet
005009	Communicatie met relaiscontrole-module werkt niet

Alarmcode	Omschrijving
00500C	Communicatie met display-module werkt niet
00500D	Communicatie met RFID-module werkt niet
00500E	3G-module is nog niet gereed (module zelf of sim)
00500F	Wifi-module is nog niet gereed
006001	3G-verbinding is niet verbonden met APN
006002	3G-verbinding is niet verbonden met internet
006003	3G-verbinding is niet verbonden met backend-office
006008	Ethernet-verbinding is niet verbonden met internet
006009	Ethernet-verbinding is niet verbonden met backend-office
007001	Hardware-component in netgelijkrichter is defect
007002	Input-voltage van netgelijkrichter is hoger dan toegestaan
007003	Input-voltage van netgelijkrichter is lager dan toegestaan
007004	Output-voltage is hoger dan netgelijkrichter kan verwerken
007006	Output-voltage is hoger dan netgelijkrichter kan verwerken
007008	De temperatuur van PFC is hoger dan toegestaan
007009	De temperatuur van PFC is lager dan toegestaan
00700A	De temperatuur van DCDC is hoger dan toegestaan
00700B	De temperatuur van DCDC is lager dan toegestaan
00700C	De ventilator van de netgelijkrichter is defect
00700D	Output van oring-diode is defect
00700E	Isolatietest is gefaald
008003	5 volt voor systeem-controller is hoger dan toegestaan
008004	5 volt voor andere systeem-modules is hoger dan toegestaan
008005	5 volt voor CAN-bus is hoger dan toegestaan
008006	12 volt voor andere systeem-modules is hoger dan toegestaan
008007	12 volt voor EV-communicatie is hoger dan toegestaan
008008	24 volt voor relaiscontrole is hoger dan toegestaan
008009	5 volt voor systeem-controller is lager dan toegestaan
00800A	5 volt voor andere systeem-modules is lager dan toegestaan
00800B	5 volt voor CAN-bus is lager dan toegestaan
00800C	12 volt voor andere systeem-modules is lager dan toegestaan
00800D	12 volt voor EV-communicatie is lager dan toegestaan
00800E	24 volt voor relaiscontrole is lager dan toegestaan
008010	De uitgangsstroom van 5 volt voor systeem-controller is hoger dan toegestaan
008011	De uitgangsstroom van 5 volt voor andere systeem-modules is hoger dan toegestaan
008012	De uitgangsstroom van 5 volt voor CAN-bus is hoger dan toegestaan
008013	De uitgangsstroom van 12 volt voor andere systeem-modules is hoger dan toegestaan
008014	De uitgangsstroom van 12 volt voor EV-communicatie is hoger dan toegestaan

Alarmcode	Omschrijving
008015	De uitgangsstroom van 24 volt voor relaiscontrole is hoger dan toegestaan
008016	De temperatuur van 12 volt voor EV-communicatie is hoger dan toegestaan
008017	De temperatuur van 5 volt voor andere systeem-modules is hoger dan toegestaan
008018	De temperatuur van 24 volt voor relaiscontrole is hoger dan toegestaan
008019	De omgevingstemperatuur van voeding is hoger dan toegestaan
009001	GFD-trigger
009003	GFD-waarschuwing
009004	GFD-zelftest gefaald
00A001	Input-relais 1 is vastgekleefd
00A002	Input-relais 1 geeft storing
00A003	Input-relais 2 is vastgekleefd
00A004	Input-relais 2 geeft storing
00A005	De positieve kant van het output-relais voor CSS is vastgekleefd
00A006	De positieve kant van het output-relais voor CSS geeft een storing
00A007	De positieve kant van het output-relais voor CHAdeMO is vastgekleefd
00A008	De positieve kant van het output-relais voor CHAdeMO geeft een storing
00A009	De negatieve kant van het output-relais voor CSS is vastgekleefd
00A00A	De negatieve kant van het output-relais voor CSS geeft een storing
00A00B	De negatieve kant van het output-relais voor CHAdeMO is vastgekleefd
00A00C	De negatieve kant van het output-relais voor CHAdeMO geeft een storing
00B001	De firmware-update van voeding-module is mislukt
00B002	De firmware-update van relaiscontrole-module is mislukt
00B003	De firmware-update van LCM-module is mislukt
00B004	De firmware-update van CCS-laadmodule is mislukt
00B005	De firmware-update van CHAdeMO-laadmodule is mislukt
00B006	De firmware-update van de stroomomvormer-module is mislukt
00C001	PLC-module voor laden van CSS is defect
00C002	CCS-nabijheid is losgekoppeld
00C003	Stop laden met CSS EV
00D001	Geen laadtoestemming vanuit CHAdeMO EV
00D002	Batterij-storing vanuit CHAdeMO EV
00D003	Batterij-incompatibiliteit met CHAdeMO EV
00D006	Aanwezige uitgangsstroom is anders dan van doelaccu
00D007	Batterij OTP vanuit CHAdeMO EV
00D008	Aanwezige uitgangsvoltage is anders dan van doelaccu
00D009	Alarm positieschakelaar komt vanuit CHAdeMO EV
00D00A	EV andere fout komt vanuit CHAdeMO EV
00D00B	Connectorvergrendeling van CHAdeMO is defect

Probleemoplossing

- Waarom staat het scherm van de DC Wand Box niet aan?
 1. Controleer of de sleutelschakelaar ingeschakeld is.
 2. Controleer of de twee multifunctionele knoppen onder het scherm branden.
 - a. Als de knoppen niet branden, controleer dan of de oplader in het stopcontact is gestoken.
 - b. Als de knoppen wel branden is het scherm kapot. In dit geval dient u contact op te nemen met het servicenummer.

- Kan geen verbinding maken met 3G/4G. Wat moet ik doen?

Controleer of er een simkaart zonder pincode in de oplader zit en of de modemkabel goed is aangesloten.

- Verbonden met 3G/4G, maar kan geen verbinding maken met backend (alarm 006009).
 1. Controleer de configuratie van de OCPP-instelling correct is.
 2. Controleer of er problemen zijn in de backend.

- De multifunctionele knop kan niet worden bediend.

Controleer of het lampje van de knop en het scherm branden.

 - a. Als de lampjes uit zijn, controleer dan of de oplader in het stopcontact is gestoken.
 - b. Als er slechts één knop niet brand is de desbetreffende knop kapot en moet u contact opnemen met het servicenummer.

- Waarom is de DC Wall Box wankel of onstabiel na de installatie?

Controleer of de montagebeugel goed vastzit en of de muur of constructie de mogelijkheid biedt een object van 80 kg stevig te bevestigen en te ondersteunen. Als de montagebeugel goed vastzit, maar de muur niet stabiel is, moet u de DC Wall Box opnieuw installeren op een stevigere muur die de EV-lader kan ondersteunen.

- Geen oplaadactie na het vegen van de RFID-kaart
 1. Bevestig de configuratie-instelling. De authenticatiemodus moet met de Delta Card worden ingesteld.
 2. Gebruik een andere Delta Card om opnieuw te proberen. Als het met de nieuwe kaart wel lukt moet de andere RFID-kaart vervangen.

- Wat moet ik doen als ik per ongeluk op de noodknop druk (alarmcode: 00400A)?

Draai en trek aan de rode knop aan de linkerkant van de oplader, zodat de oplader weer normaal kan functioneren.

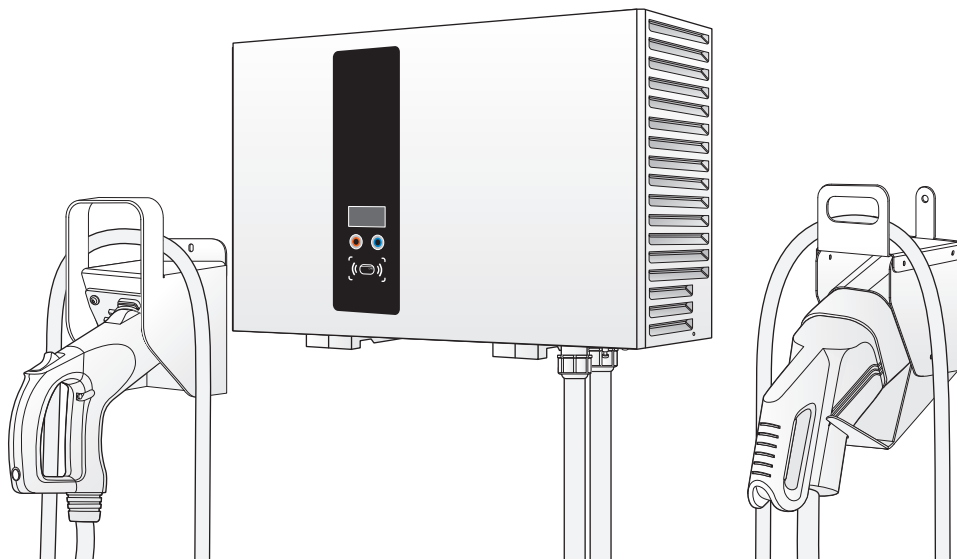
Specificaties

Model	EVDE25XXDXX	EVDE25XXEXX
Aansluitspanning	380-415 Vac; 50/60Hz; 50A max.	200-230 Vac; 50/60Hz; 90A max.
Bedrading	Driefase/L1, L2, L3, N, PE	Driefase/L1, L2, L3, PE
Vermogensfactor	> 0,98	
Huidig THD	In overeenstemming met EN61000-3-12, IEEE 519	
Efficiëntie	94% bij nominaal vermogen	
DC output nr. 1	IEC CCS DC Level 2, 50-500 Vdc, 60A max., 25kW max.	
DC output nr. 2	CHAdEMO, 50-500 Vdc, 60A max., 25 kW max.	
Bescherming	Kortsluiting, onderspanning, overspanning, overspanningsbeveiliging, kortsluiting, oververhitting, aardlek	
Scherm	2.7" OLED-scherm	
Druktoetsen	Multifunctionele knoppen (ledverlichting: oranje/blauw)/Noodknop (rood)	
Autenticatie	ISO/IEC 14443 Type A/B RFID voor gebruikersidentificatie	
Netwerkitterface	Ethernet (standaard) Mobiel (standaard, micro-simkaart)	
Bedrijfstemperatuur	-22°F to 122°F (-30°C to 50°C)	
Relatieve vochtigheid	< 95% relatieve vochtigheid, condensvrij	
Hoogte	Tot 2000m (6500 ft.)	
Beschermingsrating	IP55	
IK-rating	IK08 conform IEC62262	
Koeling	Ventilatie	
Laadkabel	Standaard: 4 m. (13,13 ft.) Optioneel bij IEC CCS DC: 7 m. (22,97 ft.)	
Afmetingen (B x H x D)	680 x 430 x 230 mm (27 x 17 x 9 inches)	
Gewicht	43 kg (95 lb), zonder stekker en kabel	
Certificaat	IEC 61851-1, IEC 61851-23	
Elektromagnetische compatibiliteit:	Klasse B IEC16000 Klasse B FCC deel	



Caricabatterie DC Wallbox

Manuale di installazione e di utilizzo



Versione: 1.2.0

Data di emissione: 2020/03

INDICE

Introduzione	1
Caratteristiche	1
Applicazioni	2
Importanti istruzioni di sicurezza e cablaggio	3
Selezione del sito di installazione	3
Sicurezza e conformità	3
Cablaggio di servizio	3
Prima dell'installazione	5
Norme di sicurezza	5
Kit accessori	5
Strumenti raccomandati	6
Installazione del caricatore per DC Wallbox	7
Effettuare la connessione	10
Funzionamento	17
Configurazione del sistema	19
Configurazione	20
Aggiornamento del firmware	20
Manutenzione	21
Garanzia	21
Requisiti generali di garanzia	21
Smaltimento	21
Codice del sistema	22
Guida alla risoluzione dei problemi	26
Specifiche	27

Convenzioni

Convenzioni generali

In questo manuale, vengono utilizzate le seguenti convenzioni:



Note:

Segnala informazioni aggiuntive, pertinenti al processo o alla procedura in corso.



AVVERTENZA!

Le informazioni di avvertenza appaiono prima del testo, per sottolineare che il contenuto può aiutare a prevenire danni al dispositivo o all'apparecchiatura.



ATTENZIONE!

GLI AVVISI DI ATTENZIONE APPAIONO PRIMA DEL TESTO A CUI SI RIFERISCONO. SONO SCRITTI IN MAIUSCOLO, PER SOTTOLINEARE CHE IL MESSAGGIO CONTIENE INFORMAZIONI VITALI PER LA SALUTE E LA SICUREZZA.

Convenzioni tipografiche

In questo documento, vengono utilizzate le seguenti convenzioni tipografiche:

Italics

Indica titoli di libri, nomi di directory, di file, di percorsi e di programmi e processi.

Constant width

Indica il segnale di uscita del computer visualizzato sul suo schermo, compresi i menu, i prompt, le risposte agli input e i messaggi di errore.

Constant width bold

Indica comandi o informazioni inseriti alla lettera da un utente sul computer. Le variabili contenute negli elementi inseriti dall'utente sono indicate tra parentesi angolari (< >).

Bold italics

Indica i tasti della tastiera premuti dall'utente.

Copyright

Il diritto di proprietà e tutti i diritti di proprietà intellettuale di questo Manuale di installazione e uso (questo "Manuale"), inclusi, ma non solo, i contenuti, i dati e le cifre qui contenuti, sono di proprietà di Delta Electronics, Inc. ("Delta"). Il manuale può essere utilizzato solo per il funzionamento o per l'uso del prodotto. È vietata qualsiasi disposizione, duplicazione, diffusione, riproduzione, modifica, traduzione, estrazione o qualsiasi altro utilizzo del manuale senza previa autorizzazione scritta di Delta. Dal momento che il prodotto sarà sviluppato e migliorato con continuità, Delta può occasionalmente modificare o aggiornare il manuale senza alcun preavviso. Delta farà del suo meglio per mantenere aggiornato il Manuale e assicurarne l'accuratezza. Delta declina qualsiasi tipo o forma di garanzia, assicurazione o impegno, sia espressamente che implicitamente, incluso ma non limitato alla completezza, accuratezza, non violazione, commerciabilità o idoneità per un particolare scopo o utilizzo.

Copyright © Delta Electronics, Inc. Tutti i diritti riservati.

Introduzione

Il caricabatterie DC Wallbox è la scelta migliore per alimentare veicoli elettrici a batteria (BEV) e veicoli elettrici plug-in (PHEV). È progettato per la ricarica rapida in luoghi pubblici e privati, come i parcheggi di attività commerciali, stazioni di ricarica per le flotte, aree di servizio autostradali, luoghi di lavoro, residenze, ecc.

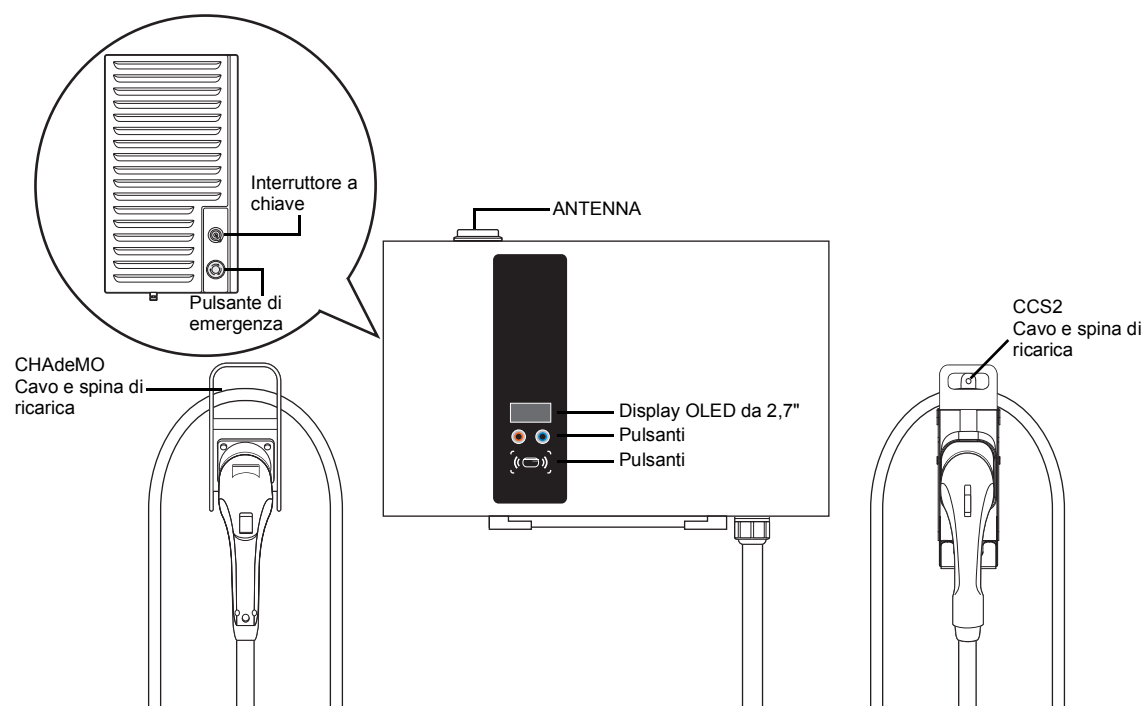
Il caricatore DC Wallbox ha il vantaggio di una facile installazione. Il design a parete e i moduli di alimentazione collegabili consentono un'installazione flessibile ed economica in vari tipi di posizioni. Il caricatore DC Wallbox offre anche funzionalità di comunicazione di rete; è in grado di connettersi con i sistemi di rete remoti e fornire ai conducenti di auto elettriche informazioni in tempo reale, come le posizioni delle stazioni di ricarica, le informazioni sull'avanzamento della ricarica e sulla fatturazione. Il caricatore DC Wallbox ha un'interfaccia utente chiara con pulsanti funzione, un sistema di sicurezza per l'alimentazione e un'eccellente tecnologia impermeabile e antipolvere per offrire la scelta migliore per gli ambienti esterni. Può anche integrarsi con i sistemi di energia rinnovabile, come l'energia solare e la tecnologia eolica, per fornire la migliore infrastruttura di risparmio energetico per lo sviluppo di sistemi EV.

Caratteristiche

- Il design a parete e i moduli di alimentazione collegabili rendono l'installazione facile e flessibile.
- Offre agli utenti la comodità del controllo completo di avvio e interruzione della ricarica da una smart card RFID autorizzata.
- Costruito secondo gli ultimi standard del settore per la ricarica con corrente continua.
- È caratterizzato dalla classificazione per esterni ed è in grado di resistere alle intrusioni di solidi e liquidi in ambienti esterni, rendendo l'unità più stabile e altamente affidabile.
- Fornisce un'interfaccia a schermo OLED ad alto contrasto con pulsanti multifunzione.

Applicazioni

- Aree di parcheggio pubbliche e private
- Aree di parcheggio comuni
- Parcheggi di hotel, supermercati e centri commerciali
- Aree di parcheggio sul posto di lavoro
- Stazioni di ricarica
- Aree di sosta autostradali



Importanti istruzioni di sicurezza e cablaggio

Selezione del sito di installazione

DC Wallbox può essere installato sia in ambienti interni che esterni. È necessario considerare le condizioni di installazione e la protezione sul sito:

- Seguire le normative elettriche locali e gli standard di installazione
- Considerare le vie di fuga di emergenza nel sito di installazione
- Non installare il dispositivo in aree con atmosfera potenzialmente esplosiva (aree Ex).

Sicurezza e conformità

- Leggere il manuale prima dell'installazione o dell'utilizzo del dispositivo.
- Non inserire attrezzi, materiale o parti del corpo nel connettore del veicolo elettrico.
- Non utilizzare il caricabatterie DC Wallbox se il contenitore, il cavo di alimentazione o il cavo di ricarica sono sfilacciati, se presentano un isolamento rotto o se presentano altri segni di danneggiamento.
- Non installare o utilizzare il caricabatterie DC Wallbox se il contenitore è rotto, rotto, aperto o mostra altri segni di danneggiamento.
- Il caricabatterie DC Wallbox deve essere installato solo da un tecnico qualificato.
- Assicurarsi che i materiali utilizzati e le procedure di installazione seguano i codici di costruzione e gli standard di sicurezza locali.
- Le informazioni fornite in questo manuale non esonerano l'utente dalla responsabilità di seguire tutti i codici o gli standard di sicurezza applicabili.
- Il produttore non è responsabile per lesioni fisiche, danni alle cose o danni alle apparecchiature causati dall'installazione di questo dispositivo.
- Questo documento fornisce istruzioni per il caricabatterie DC Wallbox e non deve essere utilizzato per altri prodotti. Prima di installare o utilizzare questo prodotto, è necessario rivedere attentamente questo manuale e consultare un appaltatore autorizzato, un elettricista qualificato o un esperto di installazione qualificato per accertarsi della conformità ai regolamenti ed agli standard di sicurezza locali.

Cablaggio di servizio

Messa a terra

Collegare sempre il Neutro al servizio di messa a terra. Se la messa a terra non è fornita dal servizio elettrico, è necessario installare un picchetto di messa a terra nelle vicinanze. Il picchetto di messa a terra deve essere collegato alla barra di terra nel pannello dell'interruttore principale e il neutro deve essere collegato alla terra in quel punto.

L'area della sezione trasversale del conduttore di terra di protezione della rete elettrica (PE) deve avere una sezione trasversale non inferiore a 10 mm² di rame.

380V - 415V trifase



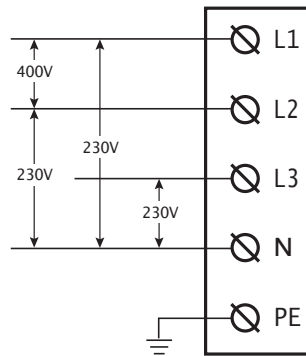
AVVERTENZA!

Questa alimentazione proviene da una rete elettrica con connessione Y e la DC Wallbox può collegarsi a L1, L2 o L3 e al neutro. La messa a terra deve essere collegata al neutro in un solo punto, in genere nel pannello dell'interruttore.



AVVERTENZA!

Una connessione di terra è essenziale prima di collegare l'alimentazione.



200V - 230V trifase



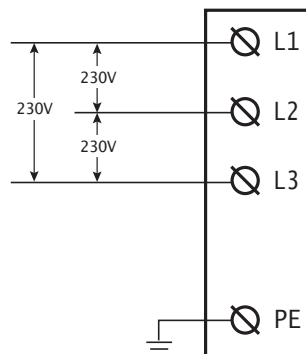
AVVERTENZA!

Lo schema seguente illustra la connessione di DC Wallbox a L1, L2 e L3 a una rete elettrica con connessione Delta. La messa a terra deve essere collegata al neutro in un singolo punto, in genere nel pannello dell'interruttore.



AVVERTENZA!

Una connessione di terra è essenziale prima di collegare l'alimentazione.

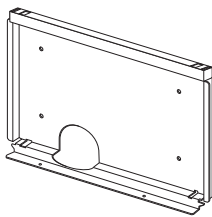


Prima dell'installazione

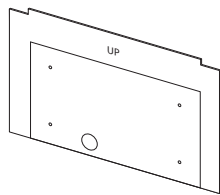
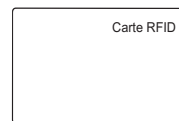
Norme di sicurezza

- Assicurati di prendere visione preventivamente delle procedure operative standard (SOP) e assicurati di esaminare i codici locali di costruzione ed elettricità di installare il caricatore DC Wallbox.
- Il caricatore DC Wallbox deve essere installato da un tecnico qualificato in base al manuale di istruzioni e alle norme di sicurezza locali.
- Utilizzare una protezione appropriata durante il collegamento al cavo di distribuzione dell'alimentazione principale.
- L'interruttore di disconnessione per ciascun conduttore senza messa a terra di ingresso CA deve essere fornito da altri in conformità con IEC61851-1.
- Per l'ingresso trifase a quattro fili 380Vac-415Vac, è necessario installare interruttori di tipo C o D con RCD di tipo A a 4 poli da 30 mA nel pannello a monte e la corrente nominale dell'interruttore deve essere 50A.
- Per l'ingresso trifase a tre fili 200Vac-230Vac, è necessario installare un interruttore C o D con RCD di tipo A a 3 poli da 30 mA nel pannello a monte e la corrente nominale dell'interruttore deve essere 100A.

Kit accessori



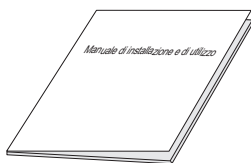
Staffa di montaggio x 1

Modello per
montaggio x 1

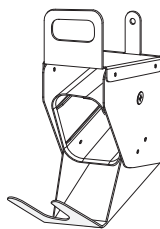
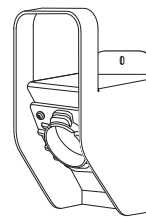
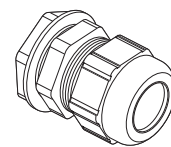
Carte RFID x 2



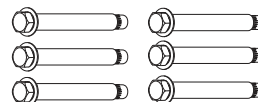
Chiavi x 2



Manuale d'uso x 1

Supporto per spina
CCS2 x 1Porta spina CHAdeMO
x 1 (solo modello a
doppia uscita)

Passacavo x 1

Sacchetto con viti
staffa x 2 (VITE M
M6*1*8 PAN TORX
SUS NL)Sacchetto con viti di
messa a terra x 1
(VITE M M6*1*12
HEXH C S+P S20C
ZN-NI)Sacchetto con di bulloni
di espansione x 6 (+ 2
per il modello a doppia
uscita) (ANCHOR SUS
16*50.8 PICKLING)

Strumenti raccomandati

I seguenti strumenti sono consigliati per l'installazione del caricatore DC Wallbox:

- (1x) Voltmetro o multimetro digitale
- (1x) Livella
- (1x) Martello
- (1x) Trapano per cemento
- (1x) Tronchesi / spelacavi
- (1x) Cacciavite Torx[®] T15 e T25 resistente alle manomissioni
- (1x) Cacciavite a testa piatta e chiave a bussola n. 8
- (1x) Cacciavite a testa piatta n. 6
- (1x) Cacciavite a testa piatta n. 2
- (1x) Cacciavite a testa piatta n. 3
- (1x) hub per conduit M 50, conduit e chiave per cavi di alimentazione principali
- (1x) hub per conduit M 25, conduit e chiave per Ethernet
- (4x) Terminali ad anello RNB14-6 per cavo L1 / L2 / L3 / N (filo di rame da 14 mm²) nei modelli con ingresso trifase 380V-415V
- (3x) Terminali ad anello RNB38-6 per cavo L1 / L2 / L3 (filo di rame da 38 mm²) in modelli con ingresso trifase 200V-230V
- (1x) Terminale ad anello RNB14-6 per cavo PE / terra (filo di rame da 14mm²)

Importanti istruzioni di sicurezza.

Conservare le presenti istruzioni.

- Il caricabatterie DC Wallbox deve essere installato solo da un appaltatore autorizzato e / o da un elettricista autorizzato in conformità con tutti i codici e gli standard elettrici statali, locali e nazionali applicabili.
- Prima di installare il caricabatteria DC Wallbox, rivedere attentamente questo manuale e consultare un appaltatore autorizzato, un elettricista qualificato e un esperto di installazione qualificato per garantire la conformità alle pratiche di costruzione locali, alle condizioni climatiche, agli standard di sicurezza e ai codici locali e statali.



AVVERTENZA!

Pericolo di folgorazione o lesioni. Interrompere l'alimentazione al pannello o al centro di carico prima di lavorare all'interno dell'apparecchiatura o rimuovere qualsiasi componente. Non rimuovere i dispositivi di protezione del circuito o altri componenti fino allo spegnimento.



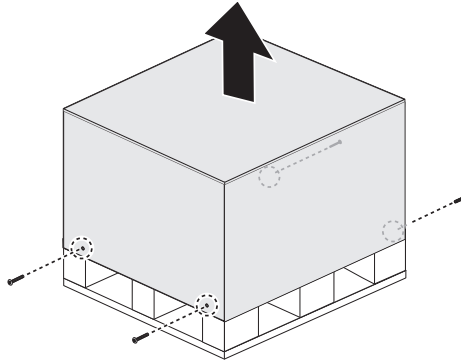
ATTENZIONE!

PER EVITARE DANNI AL CARICABATTERIE O LESIONI PERSONALI, ACCERTARSI CHE IL LUOGO DI INSTALLAZIONE SIA IN GRADO DI SOSTENERE IL PESO DEL CARICATORE DC WALLBOX.

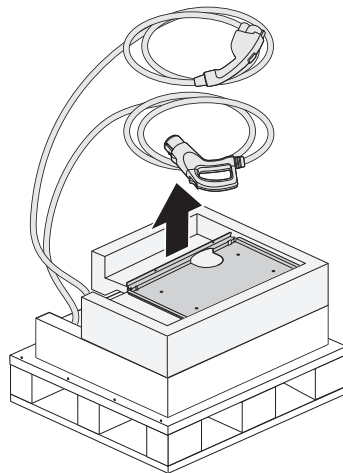
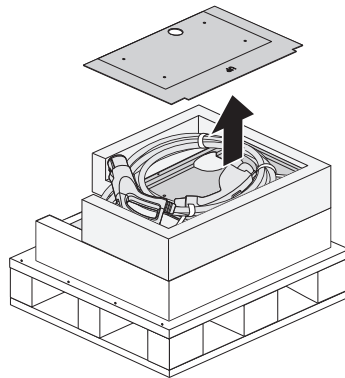
Installazione del caricatore per DC Wallbox

Preparazione

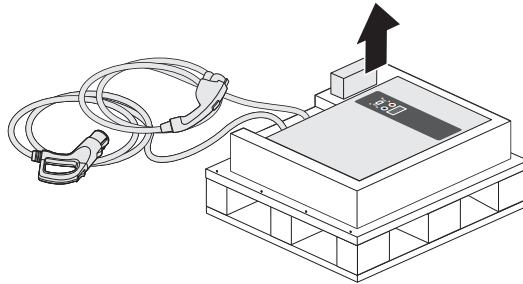
1. Svitare le viti sulla cassa (due lati) con una chiave a bussola n. 8.
2. Aprire il coperchio superiore della cassa in compensato.



3. Estrarre la mascherina di montaggio e tagliare le fascette per spostare la spina di ricarica.



4. Rimuovere la schiuma superiore, aprire la busta di plastica ed estrarre l'unità.

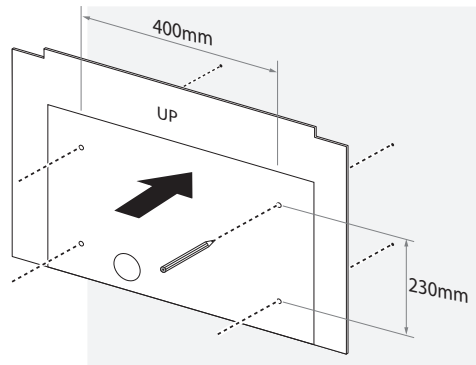


Note:

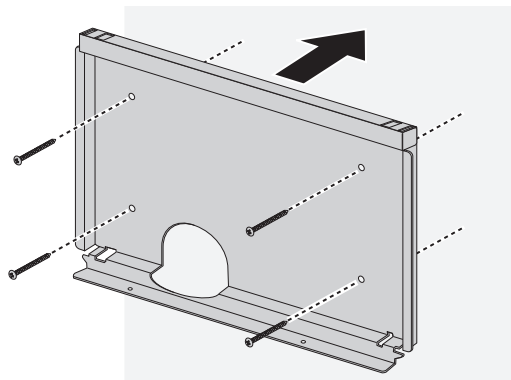
Collocare con cura l'unità e la spina di ricarica a terra o su una superficie piana in questa fase.

Montaggio a parete

1. Utilizzare la mascherina e la livella per contrassegnare la posizione di montaggio.



2. Montare la staffa sul muro.



Note:

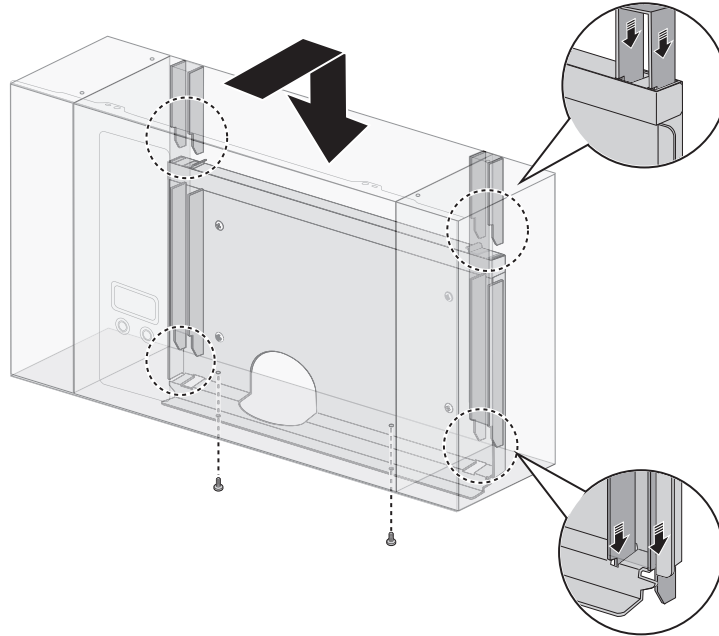
- L'unità deve essere montata su una parete solida (di cemento o metallo preferibilmente).
- Utilizzare i bulloni di espansione nel kit di accessori o scegliere le viti di montaggio appropriate per diversi tipi di parete. Potrebbe essere necessaria una perforatrice in determinate condizioni.
- Seguire i requisiti di accessibilità applicabili per la posizione di montaggio. L'unità deve essere montata ad un'altezza sufficiente in modo che l'altezza del magazzino sia compresa **tra 60 cm (24 pollici) e 120 cm (4 piedi)** secondo la norma NEC, articolo 625.



AVVERTENZA!

Per garantire un adeguato spazio di ventilazione e manutenzione, lasciare un minimo di 45 cm (18 pollici) su entrambi i lati del caricatore.

3. Collocare l'unità sulla staffa. Allineare il telaio posteriore dell'unità con lo slot corrispondente sulla staffa. Far scorrere lentamente verso il basso l'unità finché non si posiziona saldamente sulla staffa. Fissare due viti dal basso.



Note:

Le viti di fissaggio inferiori si trovano nel kit degli accessori.

Effettuare la connessione

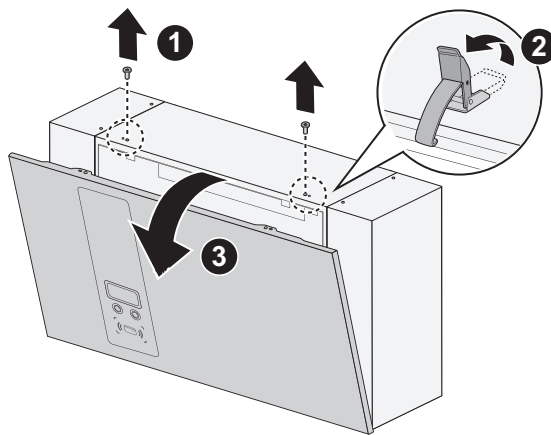


AVVERTENZA!

Usare solo un cacciavite **Torx® Resistente alle manomissioni T15** per fissare o rimuovere le viti. L'uso di qualsiasi altro strumento può danneggiare viti e pannello.

Cablaggio di alimentazione

1. Aprire la protezione anteriore per il cablaggio.
 - a. Svitare le due viti sulla parte superiore.
 - b. Sbloccare i fermi per aprire il coperchio anteriore.
 - c. Posare il coperchio anteriore delicatamente.



2. L'instradamento dei cavi di alimentazione è possibile attraverso la parte inferiore o la parte posteriore del contenitore.

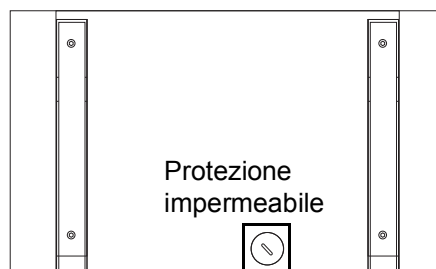
Selezionare la posizione per instradare il cablaggio di alimentazione.

Cablaggio in basso:

- a. Alimenta i fili dalla parte inferiore. Assicurarsi che il cablaggio possa raggiungere agevolmente i connettori prima di fissarli.
- b. Continuare con il fissaggio dei cavi, vedere il seguente passaggio.

Cablaggio posteriore:

- a. Rimuovere la protezione impermeabile dal retro del contenitore e inserirla nella posizione di accesso dei cavi sul fondo del contenitore.



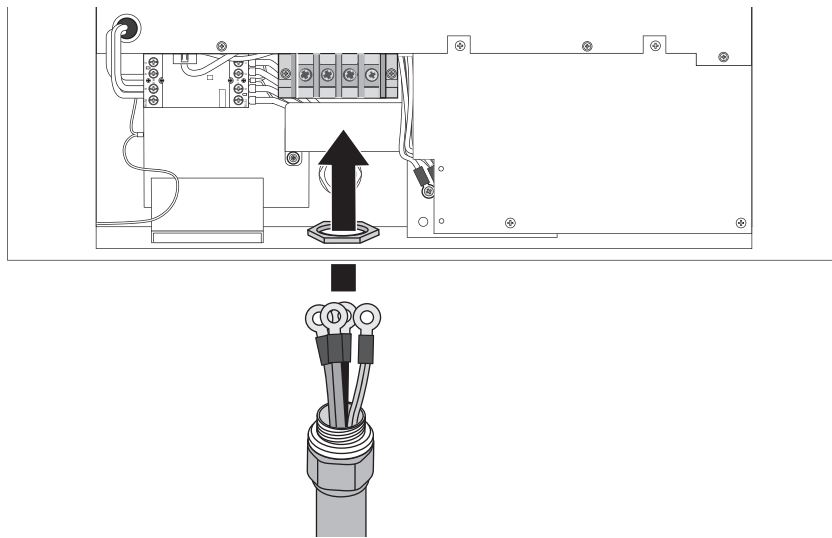
- b. Procedere con i seguenti passaggi:



ATTENZIONE!

I CABLAGGI DAL RETRO POSSONO CAUSARE IL RISCHIO DI INFILTRAZIONI D'ACQUA. NON SCEGLIERE QUESTA CONNESSIONE DI CABLAGGIO IN LUOGHI ESTERNI.

3. Fissare il pressacavo per fissare i cavi.



Note:

Per assicurare la protezione dagli elementi, assicurarsi di utilizzare pressacavi con **certificato IP55 (o superiore)**.

4. Rimuovere il coperchio della morsetteria e collegare il cablaggio ai terminali corretti. Vedere le seguenti informazioni per le connessioni specifiche al modello.

I requisiti di cablaggio dipendono dal tipo di modello e dai modelli monofase e trifase.

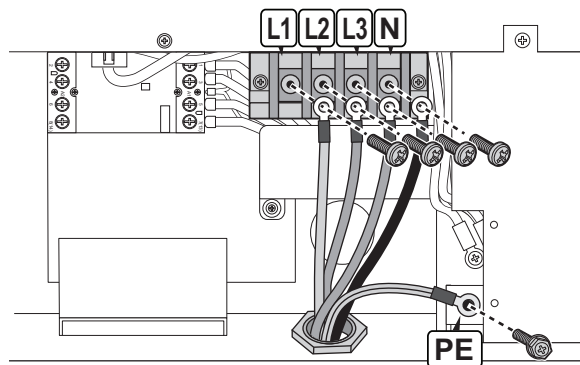


AVVERTENZA!

La codifica dei colori dei cavi può essere definita in modo diverso a seconda della regione.

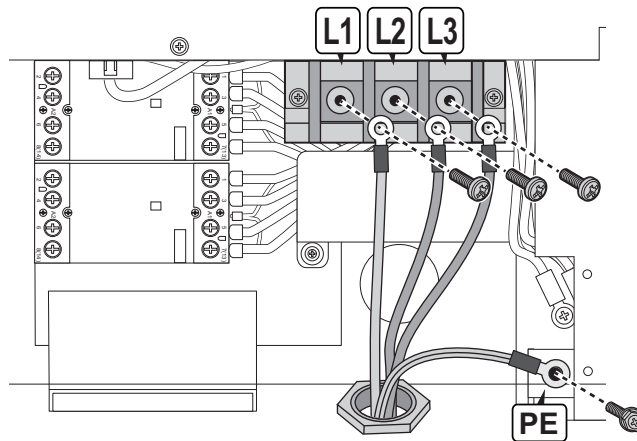
Sistema trifase

Cablaggio del 380Vac - 415Vac

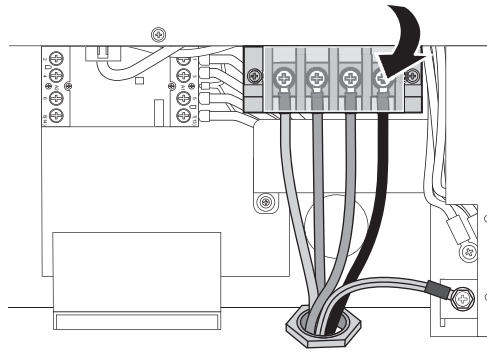


- Utilizzare il mozzo del condotto e condotto di di dimensione M50 secondo EN 61386-24.
- Collegare i fili di alimentazione di 4 morsetti ad anello RNBB14-6 con capicorda ai morsetti di ingresso contrassegnati con "L1", "L2", "L3" e "N" utilizzando 4 viti M6.0 con forza di coppia di 33 kg-cm.
- Collegare il filo di terra dell"RNBB14-6 al morsetto di terra contrassegnato con il simbolo di (⊕) terra utilizzando 1 x vite M6.0 con forza di coppia di 20 kg-cm.

Cablaggio del 200Vac - 230Vac



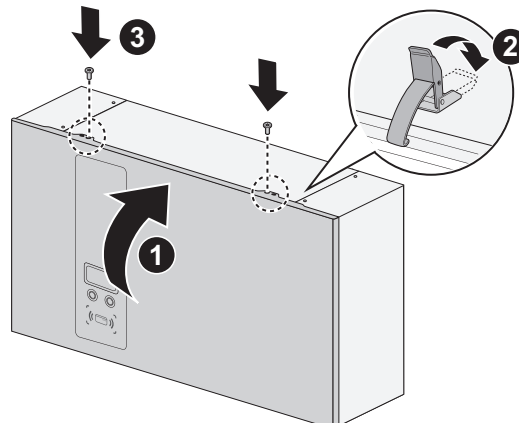
- Utilizzare il mozzo del condotto e condotto di di dimensione M50 secondo EN 61386-24.
 - Collegare i fili di alimentazione di 3 morsetti ad anello RNBB14-6 con capicorda ai morsetti di ingresso contrassegnati con "L1", "L2" e "L3" utilizzando 3 viti M6.0 con forza di coppia di 33 kg-cm.
 - Collegare il filo di terra dell'RNBB14-6 al morsetto di terra contrassegnato con il simbolo di (⊕) terra utilizzando 1 x vite M6.0 con forza di coppia di 20 kg-cm.
5. Fissare ogni cavo con la vite corretta. Assicurarsi di utilizzare la giusta coppia di serraggio. Vedi le informazioni elencate.
 6. Riposizionare il coperchio sulla morsettiere.



ATTENZIONE!

ASSICURARSI CHE IL CONDOTTO DEL CAVO ELETTRICO SIA ALLINEATO CON L'APERTURA DEL CAVO DI INGRESSO DEL CARICATORE DELLA WALLBOX DC PRIMA DELL'INSTALLAZIONE. IN CASO CONTRARIO, SI POTREBBE DANNEGGIARE IL CABLAGGIO O IL CARICABATTERIE.

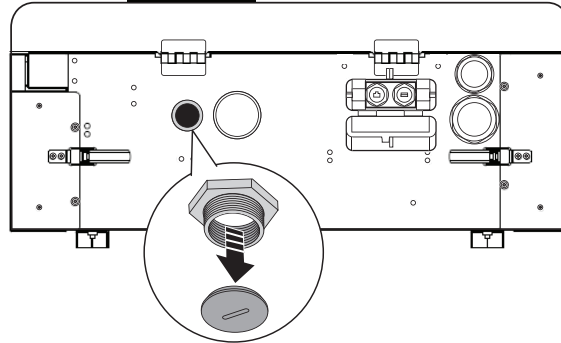
7. Rimontare il coperchio anteriore e serrare saldamente le viti.



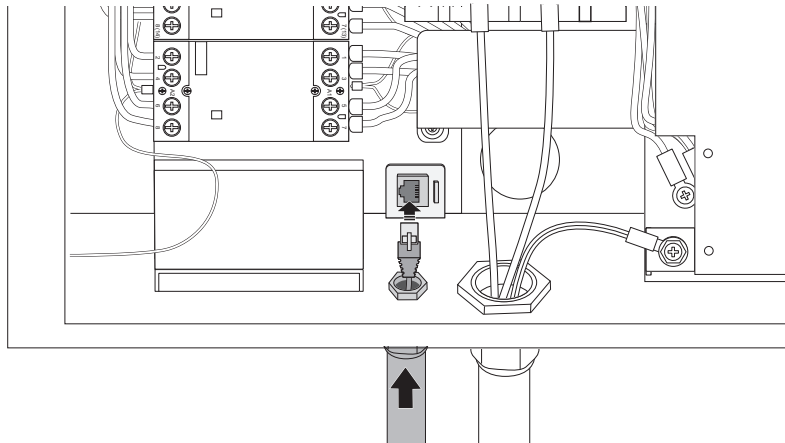
Connessione Ethernet

Si consiglia di collegare i cavi Ethernet attraverso le porte di accesso inferiore. È necessario aprire il coperchio anteriore.

1. Rimuovere la protezione impermeabile dalla porta di accesso Ethernet.



2. Inserire il cavo attraverso la porta e collegare il cavo Ethernet al terminale.
3. Fissare la guaina o il pressacavo per fissare il cavo.

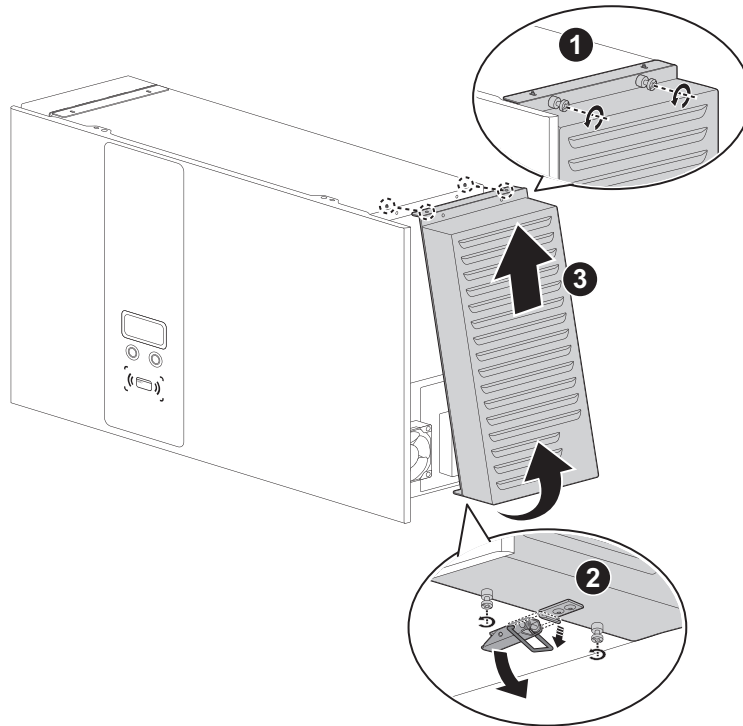


Note:

Per assicurare la protezione dagli elementi, assicurarsi di utilizzare pressacavi con **certificato IP55 (o superiore)**.

Connessione

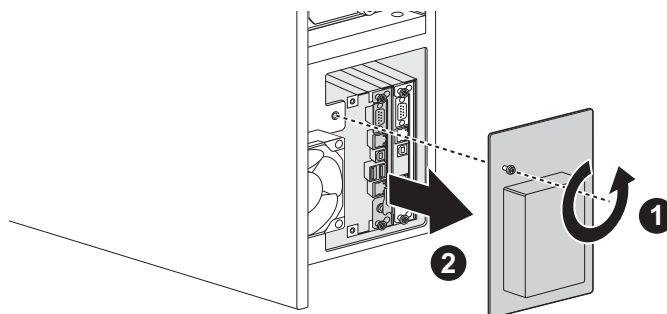
1. Rimuovere il coperchio del filtro destro.
 - a. Svitare le viti in alto.
 - b. Svitare le viti sul fondo ed estrarre il fermo.
 - c. Rimuovere il coperchio del filtro.



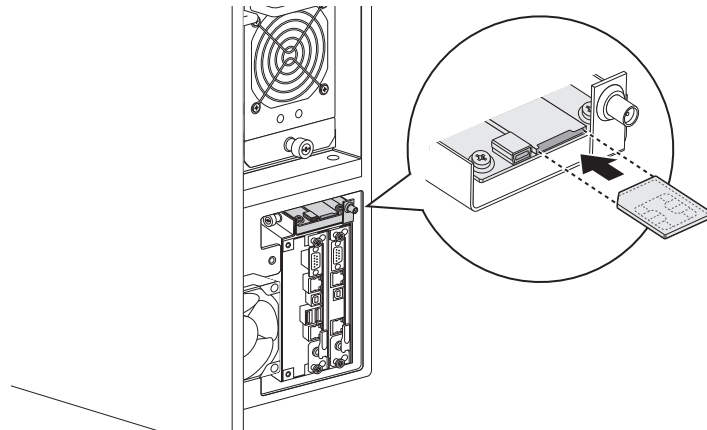
AVVERTENZA!

Usare solo un cacciavite **Torx® Resistente alle manomissioni T25** per fissare o rimuovere le viti. L'uso di qualsiasi altro strumento può danneggiare viti e pannello.

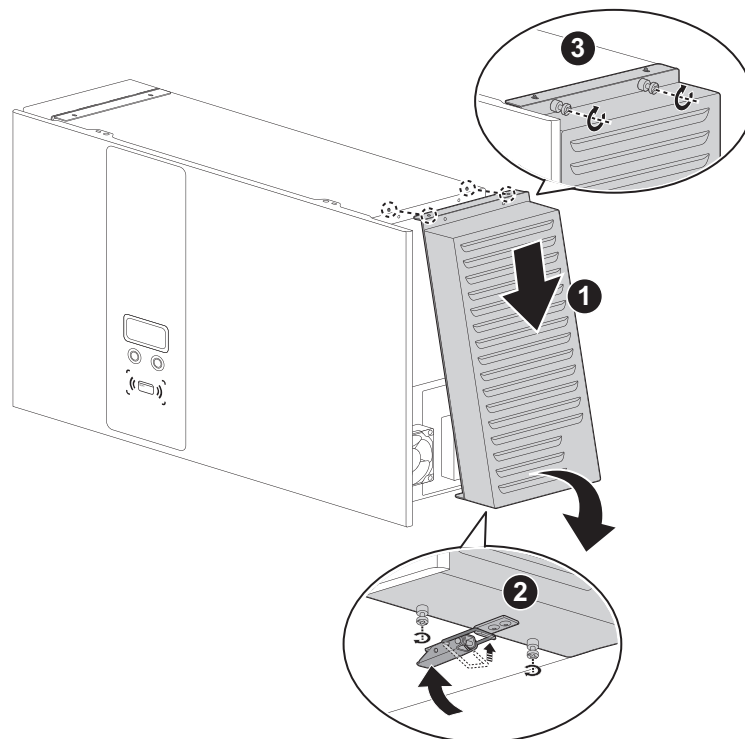
2. Rimuovere il coperchio di protezione sul lato destro.



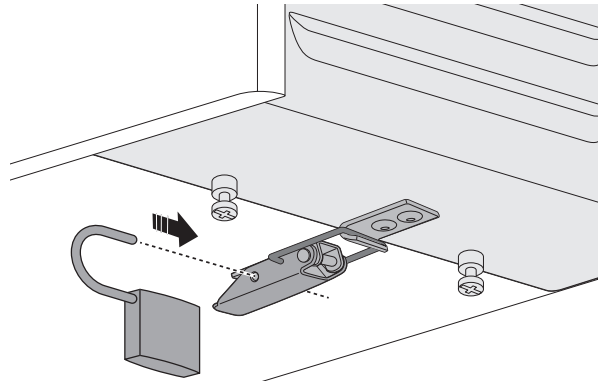
3. Inserire la scheda micro SIM nella scheda 3G. Riavvitare il coperchio di protezione.



4. Rimettere il coperchio del filtro destro.
 - a. Appendere il coperchio del filtro sull'unità.
 - b. Tirare verso il basso il perno e posizionare il coperchio del filtro posteriore.
 - c. Avvitare le viti sul fondo.
 - d. Avvitare le viti sulla parte superiore.

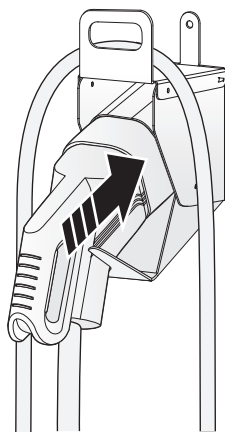


- e. Chiudere la serratura a scatto nella parte inferiore. La serratura a scatto ha un foro di 3,3 mm di diametro per inserire un lucchetto al fine di evitare eventuali manomissioni.

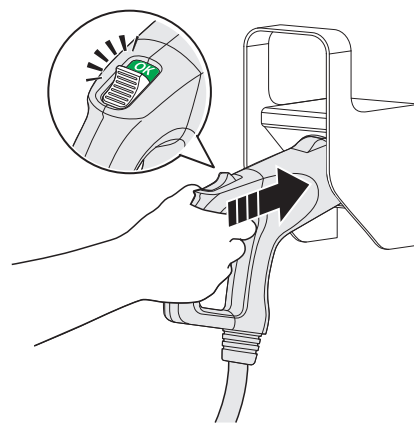


Montaggio della spina di ricarica

1. Montare il gancio per la spina di ricarica sulla parete.
2. Collocare correttamente il cavo di ricarica e la spina sul gancio.



IEC DC (CCS2)

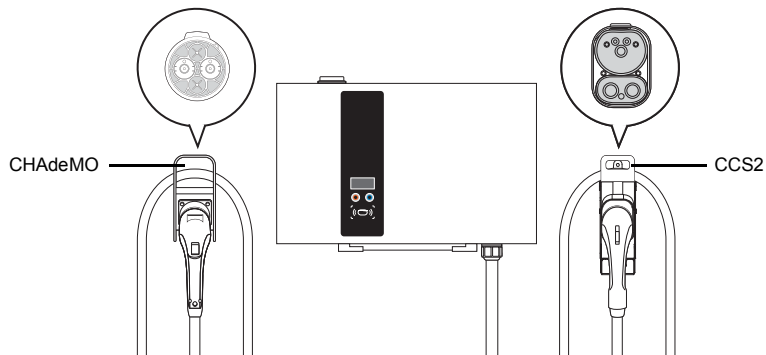


CHAdeMO - solo per modello a doppia uscita

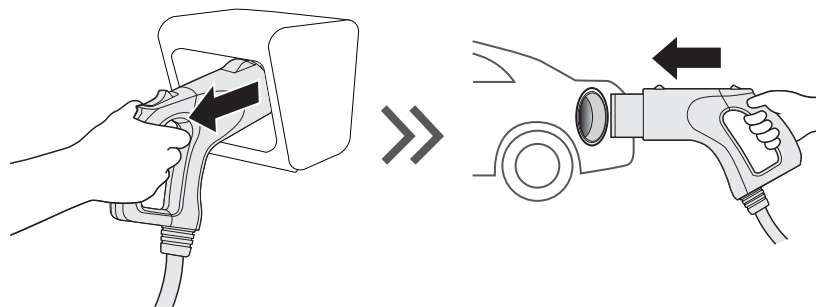
3. Attivare l'alimentazione e girare la chiave per inizializzare DC Wallbox quando tutti i passaggi sono completati.

Funzionamento

1. Scegliere la lingua preferita.
2. Scegli una spina compatibile (CCS o CHAdeMO).



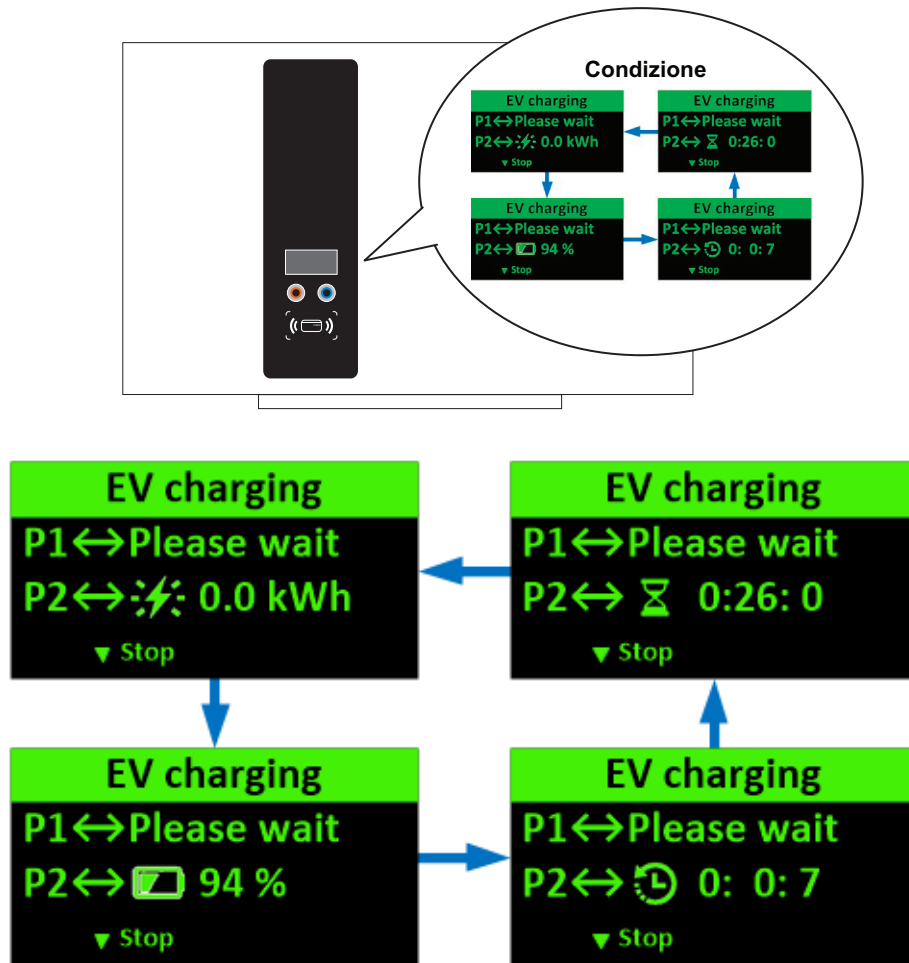
3. Collegare la spina all'EV.



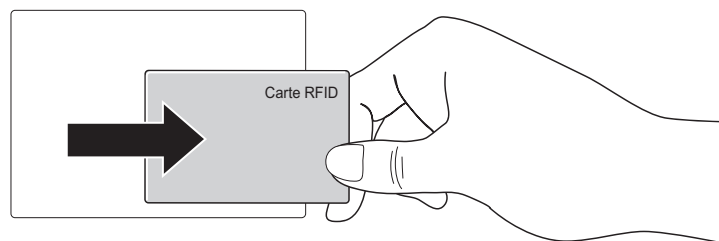
4. Passare la scheda RFID autorizzata per avviare la ricarica. La RFID autorizzata può essere utilizzata direttamente senza alcuna attivazione o impostazione.



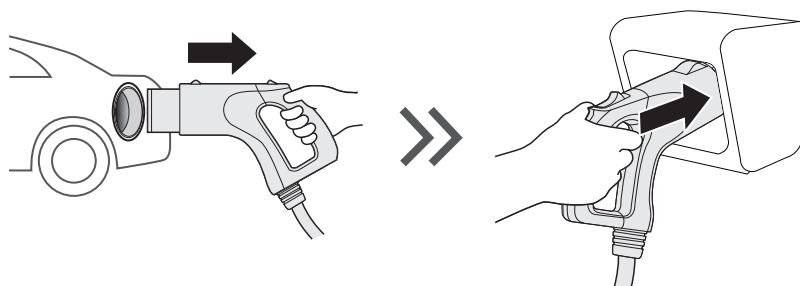
5. Una volta iniziata la ricarica, le informazioni sullo stato vengono visualizzate sullo schermo. Le seguenti illustrazioni mostrano l'inizio della procedura di ricarica fino al quasi completamento.



6. Scorrere la scheda RFID autorizzata per interrompere.



7. ricollocare la spina sul supporto.



Configurazione del sistema

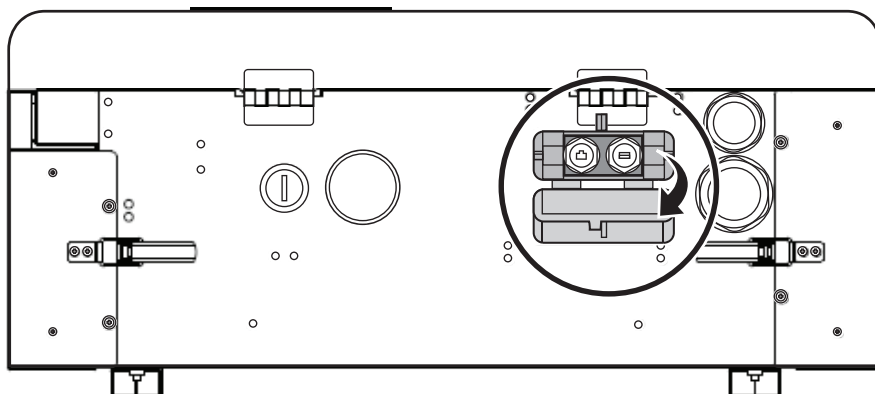


AVVERTENZA!

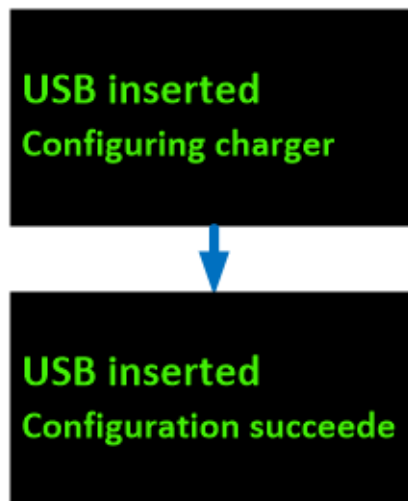
Configurare il caricabatterie solo quando non è in modalità di ricarica per evitare l'interruzione di una sessione di ricarica in corso.

Passaggi:

1. Contattare il fornitore di servizi per accedere allo strumento di configurazione online.
2. Al termine della configurazione, copiare il file dei parametri (DeltaDCWallboxConfig) nella directory principale di un'unità USB (il formato dell'unità deve essere FAT / FAT32, <32 GB).
3. Inserire il supporto USB nella porta USB in basso (etichettata USB). La configurazione verrà caricata su DC Wallbox.



4. Rimuovere l'unità supporto USB al termine della configurazione.



5. Chiudere il coperchio di protezione. La serratura a scatto ha un foro per inserire un lucchetto al fine di evitare eventuali manomissioni.

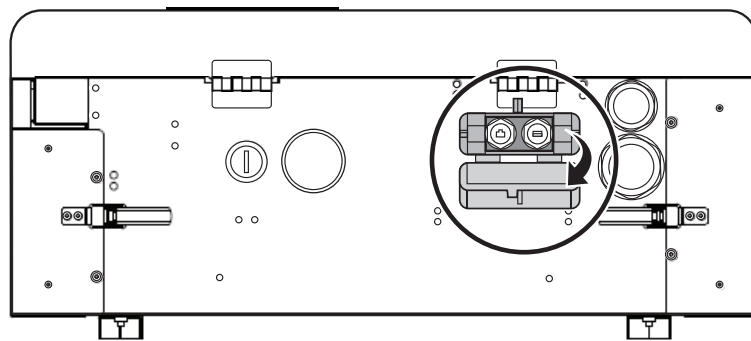
Configurazione

Per i modelli dotati del modem 3G, inserire una carta SIM 3G (WCDMA) valida come descritto nei passaggi precedenti (pagina 14) per avviare la connessione 3G. Consultare l'operatore locale per attivare preventivamente il servizio dati sulla scheda SIM. Disabilitare il controllo PIN sulla carta SIM prima di inserire la scheda nel modem. Richiedere le informazioni APN dall'operatore e assicurarsi che l'APN sia configurato correttamente tramite lo strumento di configurazione.

Aggiornamento del firmware

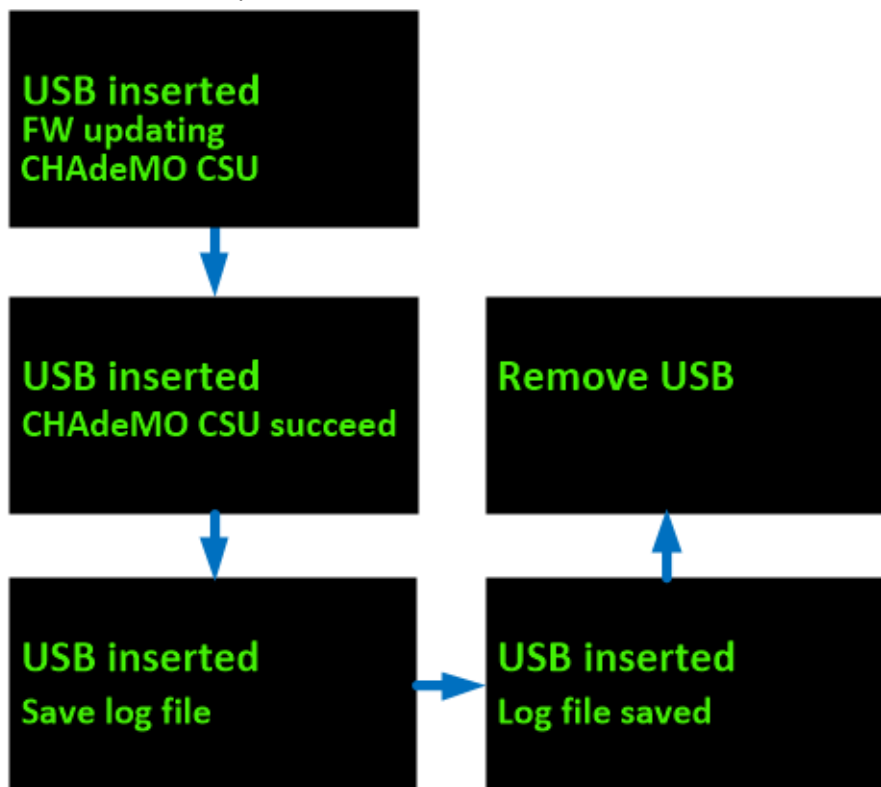
Gli aggiornamenti del firmware possono essere effettuati tramite la porta USB nella parte inferiore del contenitore.

1. Munirsi di un supporto USB. Il formato del supporto deve essere FAT / FAT32, <32 GB.
2. Inserire il supporto USB nella porta USB nella parte inferiore dell'unità (etichettata USB).



Il firmware aggiornato viene caricato su DC Wallbox.

Lo stato è visualizzato sul pannello.



3. Quando il sistema termina la procedura di aggiornamento, si riavvia automaticamente.
4. Chiudere il coperchio di protezione. La serratura a scatto ha un foro per inserire un lucchetto al fine di evitare eventuali manomissioni.

Manutenzione

Manutenzione annuale

1. Sostituire il filtro di ventilazione.
2. Effettuare un'ispezione visiva del cavo di ricarica e assicurarsi che il cavo non presenti alcun danno o deformazione evidente.
3. Effettuare un'ispezione visiva della pistola di ricarica e assicurarsi che la pistola non presenti alcun danno, curvatura o ruggine evidenti.



AVVERTENZA!

Per evitare il rischio di scosse elettriche o lesioni, spegnere il pannello o il centro di carico prima di lavorare sull'unità o rimuovere qualsiasi componente. Non rimuovere i dispositivi di protezione del circuito o altri componenti fino allo spegnimento.

Scollegare l'alimentazione elettrica dalla DC Wallbox prima di qualsiasi intervento di manutenzione per assicurarsi che sia scollegata dalla rete di alimentazione CA. In caso contrario, si potrebbero causare lesioni fisiche o danni all'impianto elettrico e all'unità di ricarica.



Note:

- Prima di spegnere l'interruttore principale per interrompere l'alimentazione, prendere nota del codice di errore sul display.
- Anche quando l'interruttore a chiave è spento, il circuito davanti al terminale principale è ancora pericoloso. Si prega di effettuare solamente un'ispezione visiva in questo momento.
- La manutenzione della DC Wallbox deve essere eseguita solo da un tecnico qualificato.
- Dopo aver aperto la porta anteriore, spegnere l'interruttore principale e l'interruttore ausiliario prima di qualsiasi intervento di manutenzione.

Garanzia

Requisiti generali di garanzia

Delta garantisce che i prodotti sono esenti da difetti di materiale e di lavorazione per un periodo di due anni per EVSE dal Numero di Serie impresso sul prodotto dall'acquirente originale della Società Delta. Questa garanzia si applica solo all'acquirente originale e non è trasferibile a terzi.

Smaltimento

Dopo la corretta messa fuori servizio dell'apparecchio, si prega di farlo smaltire dal servizio di assistenza in conformità alle norme vigenti in materia di smaltimento dei rifiuti. I dispositivi elettrici ed elettronici, compresi gli accessori, vanno smaltiti separatamente rispetto ai rifiuti generici.



Riciclare qualsiasi materiale usato per l'imballaggio che sia riciclabile come ad esempio: carta, cartone, legno, ecc. e gettare altri materiali d'imballaggio non riciclabili nel cestino della spazzatura. Sarà possibile dare un contributo significativo alla protezione dell'ambiente riutilizzando o riciclando il materiale.

Codice del sistema

Codice allarme	Descrizione
004001	La tensione di ingresso del sistema è superiore al limite di funzionamento (> 305 volt)
004002	La tensione di ingresso del sistema (L2 o L3) è inferiore al limite di funzionamento (< 170 volt)
004003	La tensione di uscita del sistema è superiore alla tensione massima della batteria EV
004004	La richiesta di corrente di uscita da EV è maggiore della capacità EVSE attuale
004005	La temperatura di ingresso aria o contattore di ingresso è superiore al limite di funzionamento (> 60 °C)
004006	La temperatura della presa combinata CCS è superiore al limite di funzionamento <ul style="list-style-type: none"> ● REMA => (> 85 °C) ● Phoenix => (> 75 °C)
004007	Il filtro dell'aria deve essere sostituito
004008	La ventola del sistema è indebolita, quindi è necessario sostituirla
004009	L'autotest del controller di sistema è guasto
00400A	È stato premuto il pulsante di emergenza
00400B	L'utente autorizzato dal back-end non è riuscito
00400C	Autorizzazione utente da EVSE fallita.
00400D	Il sensore di temperatura dell'ingresso dell'aria è guasto
00400E	Il sensore di temperatura del contattore di ingresso è guasto
00400F	Trigger SPD
004010	Il fusibile di uscita sul lato CCS è guasto
004011	Il fusibile di uscita sul lato CHAdeMO è guasto
004012	Il sensore di temperatura della presa combinata CCS è guasto
004013	La temperatura di ingresso aria o contattore di ingresso è inferiore all'intervallo di operazione (< -40 °C)
004014	L'utente interrompe la ricarica
004017	Il sistema entra in sospensione se l'utente non esegue la connessione entro 3 minuti dopo l'autorizzazione
004018	Il tempo di ricarica è scaduto (max: 2 ore)
004019	Lo spazio di archiviazione dei dati di sistema non è sufficiente
004020	Errore sconosciuto
004021	La carica viene arrestata da remoto dall'ufficio back-end
004022	La tensione di ingresso è diminuita (< 20 V, 100 ms)
004023	La tensione di ingresso del sistema L1 è inferiore all'intervallo di operazione (< 170 volt)
005001	La comunicazione con EV CHAdeMO è interrotta
005005	La comunicazione con EV CCS è interrotta
005006	Il rettificatore di potenza è guasto (SMR)

Codice allarme	Descrizione
005007	La comunicazione con il controller CCS è interrotta
005008	La comunicazione con il modulo di alimentazione ausiliaria è interrotta
005009	La comunicazione con il modulo di controllo del relè è interrotta
00500C	La comunicazione con il modulo del display è interrotta
00500D	La comunicazione con il modulo RFID è interrotta
00500E	Il modulo 3G non è pronto (modulo stesso o SIM)
00500F	Il modulo WiFi non è pronto
006001	La connessione 3G è disconnessa da APN
006002	La connessione 3G è disconnessa da internet
006003	La connessione 3G è scollegata dall'ufficio back-end
006008	La connessione Ethernet è disconnessa da internet
006009	La connessione Ethernet è scollegata dall'ufficio back-end
007001	Il componente hardware nel rettificatore di potenza è guasto
007002	La tensione di ingresso del rettificatore di potenza è superiore all'intervallo di operazione
007003	La tensione di ingresso del rettificatore di potenza è inferiore all'intervallo di operazione
007004	La tensione di uscita è superiore all'intervallo di operazione del rettificatore di potenza
007006	La temperatura di ingresso dell'aria nel rettificatore di potenza è superiore all'intervallo di operazione (> 60 °C)
007008	La temperatura del PFC è superiore all'intervallo di operazione
007009	La temperatura di PFC è inferiore all'intervallo di operazione
00700A	La temperatura di DCDC è superiore all'intervallo di operazione
00700B	La temperatura di DCDC è inferiore all'intervallo di operazione
00700C	La ventola all'interno del rettificatore di potenza è guasta
00700D	La spia dell'oRing di uscita guasta
00700E	Test di isolamento è fallito
008003	5 volt per il controller di sistema è superiore all'intervallo di operazione
008004	5 volt per altri moduli di sistema è superiore all'intervallo di operazione
008005	5 volt per CAN bus è superiore all'intervallo di operazione
008006	12 volt per altri moduli di sistema è superiore all'intervallo di operazione
008007	12 volt per la comunicazione EV è superiore all'intervallo di operazione
008008	24 volt per il controllo del relè è superiore all'intervallo di operazione
008009	5 volt per il controller di sistema è inferiore all'intervallo di operazione
00800A	5 volt per altri moduli di sistema è inferiore all'intervallo di operazione
00800B	5 volt per CAN bus è inferiore all'intervallo di operazione
00800C	12 volt per altri moduli di sistema è inferiore all'intervallo di operazione

Codice allarme	Descrizione
00800D	12 volt per la comunicazione EV è inferiore all'intervallo di operazione
00800E	24 volt per il controllo del relè è inferiore all'intervallo di operazione
008010	La corrente di uscita di 5 volt per il controller di sistema è superiore all'intervallo di operazione
008011	La corrente di uscita di 5 volt per altri moduli di sistema è superiore all'intervallo di operazione
008012	La corrente di uscita di 5 volt per il bus CAN è superiore all'intervallo di operazione
008013	La corrente di uscita di 12 volt per altri moduli di sistema è superiore all'intervallo di operazione
008014	La corrente di uscita di 12 volt per la comunicazione EV è superiore all'intervallo di operazione
008015	La corrente di uscita di 24 volt per il controllo del relè è superiore all'intervallo di operazione
008016	La temperatura di 12 volt per la comunicazione EV è superiore all'intervallo di operazione
008017	La temperatura di 5 volt per altri moduli di sistema è superiore all'intervallo di operazione
008018	La temperatura di 24 volt per il controllo del relè è superiore all'intervallo di operazione
008019	La temperatura di ambinet di aux. la potenza è superiore all'intervallo di operazione
009001	Trigger GFD
009003	Pre-avviso GFD
009004	Fallimento autotest GFD
00A001	Il contattore di ingresso 1 è in corso di fusione.
00A002	Il contattore di ingresso 1 è guasto
00A003	Il contattore di ingresso 2 è in corso di fusione.
00A004	Il contattore di ingresso 2 è guasto
00A005	Il lato positivo del relè di uscita per la carica CCS è in corso di fusione
00A006	Il lato positivo del relè di uscita per la carica CCS è guasto
00A007	Il lato positivo del relè di uscita per la ricarica di CHAdeMO è in corso di fusione
00A008	Il lato positivo del relè di uscita per la ricarica di CHAdeMO è guasto
00A009	Il lato negativo del relè di uscita per la carica CCS è in corso di fusione
00A00A	Il lato negativo del relè di uscita per la carica CCS è guasto
00A00B	Il lato negativo del relè di uscita per la ricarica di CHAdeMO è in corso di fusione
00A00C	Il lato negativo del relè di uscita per la ricarica di CHAdeMO è guasto
00B001	L'aggiornamento del firmware del modulo di alimentazione ausiliario è guasto
00B002	L'aggiornamento del firmware del modulo di controllo relè è fallito
00B003	L'aggiornamento del firmware del modulo LCM è fallito
00B004	L'aggiornamento del firmware del modulo di ricarica CCS è fallito
00B005	L'aggiornamento del firmware del modulo di ricarica CHAdeMO è fallito

Codice allarme	Descrizione
00B006	L'aggiornamento del firmware del modulo convertitore di potenza è fallito
00C001	Il modulo PLC per la carica CCS è guasto
00C002	La prossimità CCS è disconnessa
00C003	Interrompere la ricarica con CCS EV
00D001	Autorizzazione di carica negata da EV CHAdeMO
00D002	Il malfunzionamento della batteria proviene da EV CHAdeMO
00D003	Incompatibilità batteria con EV CHAdeMO
00D006	La corrente di uscita presente è diversa dalla corrente di destinazione
00D007	L'OTP della batteria proviene da EV CHAdeMO
00D008	La tensione di uscita attuale è diversa dalla tensione di destinazione
00D009	L'allarme di cambio di posizione è arrivato da EV CHAdeMO
00D00A	Altro difetto EV proveniente da EV CHAdeMO
00D00B	Il blocco del connettore CHAdeMO è guasto

Guida alla risoluzione dei problemi

- Perché lo schermo del dispositivo DC Wall box non è acceso?
 1. Controllare se l'interruttore a chiave è acceso.
 2. Controllare se i due pulsanti multifunzione sotto lo schermo sono attivi.
 - a. Se i pulsanti non sono attivi, verificare se il caricabatterie è collegato alla presa elettrica.
 - b. Se i pulsanti sono attivi, allora significa che lo schermo è rotto. In questo caso sarà necessario contattare il numero di assistenza.
- Non riesco a connettermi al 3G/4G, cosa devo fare?

Controllare se nel caricabatterie è presente una scheda SIM senza PIN e se il cavo del modem è ben collegato.
- Connesso a 3G/4G, ma non riesco a collegarmi al backend (Allarme 006009).
 1. Controllare la configurazione se l'impostazione OCPP è corretta.
 2. Controllare se ci sono problemi nel backend.
- Impossibile azionare il pulsante multifunzione.

Controllare se la luce del pulsante e dello schermo sono accese.

 - a. Se le luci sono spente, controllare se il caricabatterie è collegato ad una presa elettrica.
 - b. Se solo un tasto è spento, allora il tasto è rotto e si dovrebbe contattare il numero di assistenza.
- Perché il DC Wall Box traballa o è instabile successivamente all'installazione?

Controllare se la staffa di montaggio è sicura e se la parete o la struttura di supporto ha la capacità di fissare e sostenere solidamente un oggetto di 80KG. Se la staffa di montaggio è sicura, ma la parete non è stabile, allora si dovrebbe reinstallare in una parete di supporto più stabile in grado di sostenere il caricabatterie EV.
- Nessuna azione di ricarica dopo aver strisciato la scheda RFID
 1. Confermare l'impostazione della configurazione. La modalità di autenticazione dovrebbe essere tramite Delta Card.
 2. Utilizzare un'altra Carta Delta per riprovare. Se l'operazione con la nuova carta va a buon fine. Si dovrebbe procedere alla sostituzione dell'altra scheda RFID.
- Cosa devo fare se premo il pulsante di emergenza per sbaglio. (Codice di allarme: 00400A)

Girare e tirare il pulsante rosso sul lato sinistro del caricabatterie, in modo che il caricabatterie possa riprendere a funzionare normalmente.

Specifiche

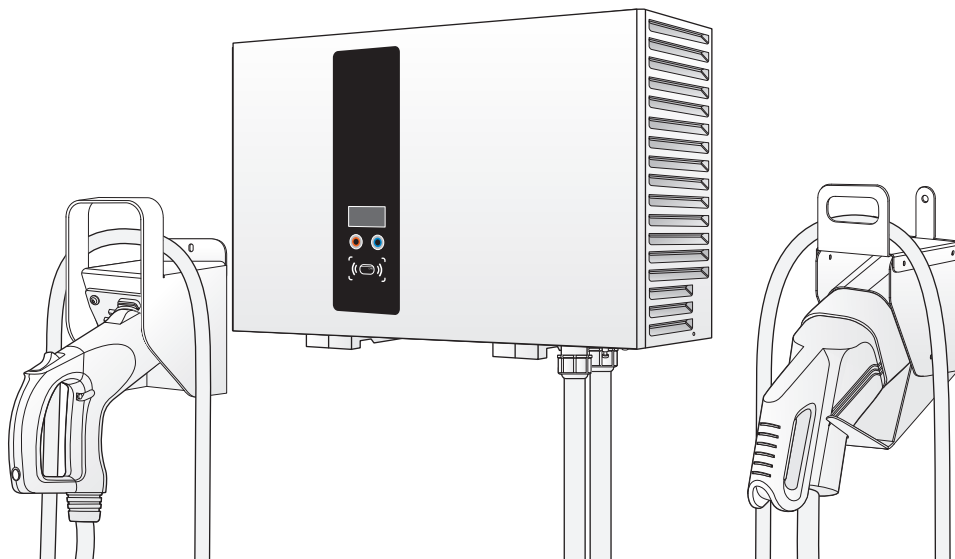
Modello	EVDE25XXDXX	EVDE25XXEEX
Ingresso nominale	380-415 Vac; 50/60Hz; 50A max.	200-230 Vac; 50/60Hz; 90A max.
Cablaggio	3 fasi / L1, L2, L3, N, PE	3 fasi / L1, L2, L3, PE
Fattore di potenza	> 0,98	
Corrente THD	Conforme a EN61000-3-12, IEEE 519	
Efficienza	94% alla potenza di uscita nominale	
Uscita DC n. 1	IEC CCS CC Livello 2, 50-500 V cc, max. 60 A, 25 kW max.	
Uscita DC n. 2	CHAdEMO, 50-500 V cc, max 60 A, 25 kW max.	
Protezione	Protezioni da sovracorrente, sottotensione, sovratensione, cortocircuito, sovratemperatura, guasto della messa a terra	
Display	Schermo OLED da 2,7"	
Pulsanti	Pulsanti multifunzione (luce LED: arancione, blu) / pulsante di arresto di emergenza (rosso)	
Autenticazione	ISO / IEC 14443 Tipo A / B RFID per l'autenticazione dell'utente	
Interfaccia di rete	Ethernet (standard) Cellulare (Standard, Micro SIM card)	
Temperatura d'esercizio	Da -22 °F a +122 °F (da -30 °C a +50 °C)	
Umidità	< 95% di umidità relativa, senza condensa	
Altitudine	Tot 2000 m (6500 ft.)	
Grado di tenuta all'acqua	IP55	
Classe IK	IK08 conforme a IEC62262	
Raffreddamento	Aria forzata	
Cavo di ricarica	Standard: 4 m (13,13 piedi) Opzionale per IEC CCS CC: 7 m (22,97 piedi)	
Dimensione (L x A x P)	680 x 430 x 230 mm (27 x 17 x 9 inch)	
Peso	43 kg (95 lb), esclusief stekker en kabel	
Certificato	IEC 61851-1, IEC 61851-23	
Compatibilità elettromagnetica:	IEC16000 classe B FCC Parte 15 classe B	





DC Wallbox Lader

Installasjonshåndbok og bruksanvisning



Versjon: 1.2.0

Utstedelsesdato: 2020/03

INNHALDSFORTEGNELSE

Innledning	1
Funksjoner	1
Bruksområder	2
Viktige sikkerhets- og kablingsinstruksjoner	3
Valg av installasjonssted	3
Sikkerhet og overholdelse	3
Servicekabling	4
Før montering	5
Sikkerhetskrav	5
Tilbehørssett	5
Anbefalte verktøy	6
Montering av DC Wallbox-laderen	7
Utføre tilkoblingen	10
Bruk	17
Konfigurasjon av systemet	19
3G-konfigurasjon	20
Oppdatering av fastvare	20
Vedlikehold	21
Garanti	21
Generelle garantikrav	21
Avhending	21
Systemkode	22
Feilsøking	26
Spesifikasjoner	27

Konvensjoner

Generelle konvensjoner

De følgende konvensjonene brukes i denne bruksanvisningen:



Merk:

Indikerer ytterligere informasjon som er relevant for den nåværende prosessen eller prosedyren.



ADVARSEL!

Informasjon om advarsel vises før den aktuelle teksten for å fremheve at innholdet kan forhindre skade på enheten eller utstyret.



OBS!

VARSLER VISES FØR DEN AKTUELLE TEKSTEN. VARSLER VISES MED STORE BOKSTAVER FOR Å FREMHEVE AT MELDINGEN INNEHOLDER NØDVENDIG INFORMASJON FOR HELSE OG SIKKERHET.

Typografiske konvensjoner

De følgende typografiske konvensjonene brukes i dette dokumentet:

Kursiv

Indikerer boktitler, katalognavn, filnavn, banenavn og navn på programmer/prosesser.

Konstant bredde

Indikerer utdata som vises på en dataskjerm, inkludert menyer, påminnelser, svar på inndata og feilmeldinger.

Konstant med fet skrift

Indikerer kommandoer eller informasjon som skal skrives inn bokstavelig av brukeren på datamaskinen. Variabler i brukerinngang vises i vinkelparenteser (< >).

Fet kursiv skrift

Indikerer tastaturtaster som trykkes av brukeren.

Opphavsrett

Eierskap av og alle immaterielle rettigheter i denne installasjonshåndboken og bruksanvisningen («bruksanvisningen»), inkludert, men ikke begrenset til innholdet, dataene og figurene heri, er ervervet av Delta Electronics, Inc. («Delta»). Bruksanvisningen gjelder bare for bruk av produktet. All fordeling, duplisering, spredning, reproduksjon, endring, oversettelse, utdrag eller annen bruk av bruksanvisningen er forbudt uten skriftlig forhåndsgodkjenning fra Delta. Ettersom produktet blir kontinuerlig utviklet og forbedret, kan Delta endre eller oppdatere bruksanvisningen av og til uten varsel. Delta kommer til å gjøre sitt beste for å holde bruksanvisningen oppdatert og opprettholde nøyaktigheten til bruksanvisningen. Delta frasier alle former for garantier eller forpliktelser, enten uttrykkelige eller underforståtte, inkludert, men ikke begrenset til, fullstendighet, nøyaktighet, ukrenkelighet, salgbarhet eller egnethet for et bestemt formål eller bruk.

Copyright © Delta Electronics, Inc. Med enerett.

Innledning

DC Wallbox-laderen er det beste valget for å drive elbiler med batteri og ladbare hybridbiler på markedet i dag. Den er designet for rask lading på både offentlige og private steder, for eksempel parkeringsplasser utenfor butikker, flåteladestasjoner, serviceområder langs hovedveier, arbeidsplasser, boliger, osv.

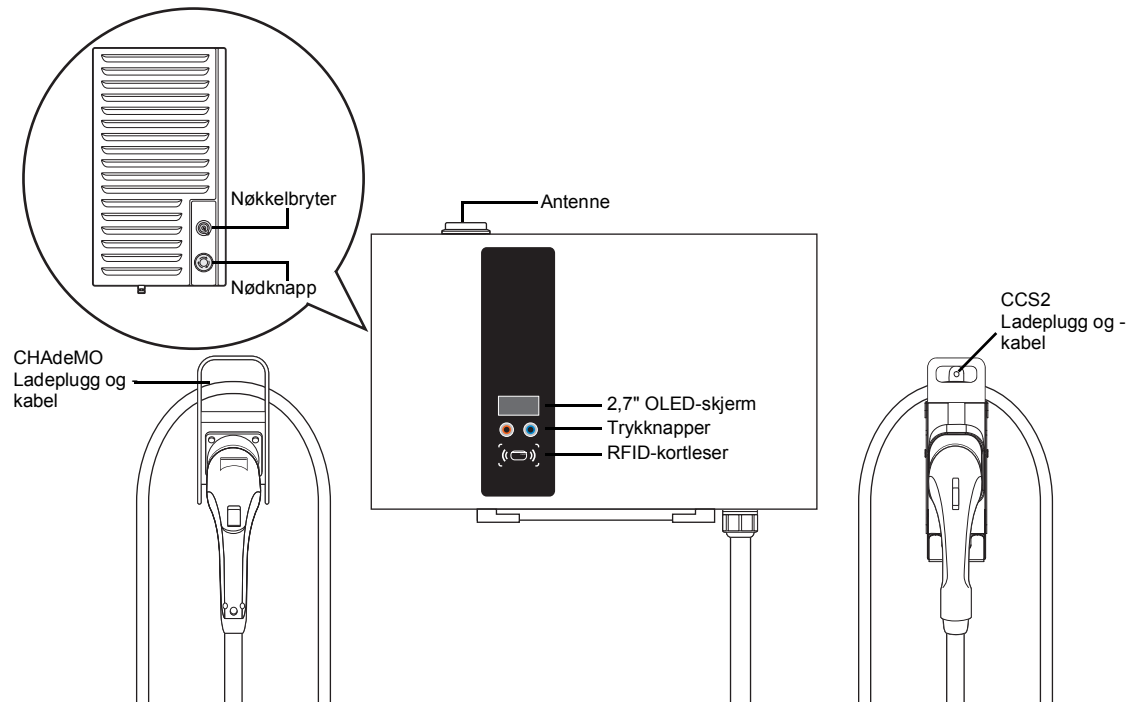
DC Wallbox-laderen har en fordel med enkel montering. Designet for montering på vegg og strømmoduler som kan plugges i, gir fleksibel og kostnadseffektiv montering på mange forskjellige steder. DC Wallbox-laderen har også mulighet til nettverkskommunikasjon - den kan kobles til eksterne nettverkssystemer og gi førere av elektriske biler informasjon i sanntid, for eksempel beliggenheten til ladestasjoner, informasjon om ladefremgang og faktureringsinformasjon. DC Wallbox-laderen har et tydelig brukergrensesnitt med funksjonsknapper, et sikkerhetssystem for strømtilførsel og utmerket beskyttelse mot vann og støv for å gi det beste alternativet for utendørsmiljøer. Den kan også integreres med systemer for fornybar energi, for eksempel solkraft og vindkraft, for å gi den mest energibesparende infrastrukturen for utvikling av elbilsystemt.

Funksjoner

- Wall-mount design and pluggable power modules make installation easy and flexible.
- Designet for montering på vegg og strømmoduler som kan plugges i, gjør montering enkelt og fleksibel.
- Gir kunder beleiligheten av fullstendig kontroll for start og avslutning av lading fra et autorisert RFID-kort.
- Laget i henhold til de siste industristandardene for likestrømslading.
- Har en vurdering for utendørsbruk som tilsier at den kan motstå inntrenging av faststoff og væsker i utemiljøer, noe som gjør enheten med stabil og veldig pålitelig.
- Har et grensesnitt med høy kontrast på OLED-skjerm med multifunksjonsknapper.

Bruksområder

- Offentlige og private parkeringsområder
- Kommunale parkeringsområder
- Parkeringsområder for hoteller, supermarkeder og handlesenter
- Parkeringsområder på arbeidsteder
- Ladestasjoner
- Rasteplasser langs hovedveier



Viktige sikkerhets- og kablingsinstruksjoner

Valg av installasjonssted

DC Wallbox kan installeres både utendørs og innendørs. Det er viktig å vurdere installasjonsforholdene og sikkerheten på stedet:

- Følg lokale elektrisitetsforskrifter og installasjonsstandarder
- Ta hensyn til nødutgangene og rømningsveiene på installasjonsstedet
- Ikke installer enheten i områder som potensielt kan ha et eksplosivt miljø (Ex-områder).

Sikkerhet og overholdelse

- Les bruksanvisningen før du monterer eller bruker enheten.
- Ikke sett verktøy, materialer eller kroppsdeler inn i elektrokopleren for kjøretøy.
- Ikke bruk DC Wallbox-laderen hvis kabinettet, strømledningen eller ladekabelen er frynset, har brutt isolering eller viser andre tegn på skade.
- Ikke monter eller bruk DC Wallbox-laderen hvis kabinettet er ødelagt, sprukket, åpent eller viser andre tegn på skade.
- DC Wallbox-laderen kan bare monteres av kvalifiserte teknikere.
- Sørg for at materialene som brukes, og monteringsprosedyren følger lokale byggeforskrifter og sikkerhetsstandarder.
- Informasjonen i denne bruksanvisningen fritar på ingen måte brukeren for ansvar for å følge alle gjeldende bestemmelser og sikkerhetsstandarder.
- Produsenten er ikke ansvarlig for fysisk skade, skade på eiendom eller skade på utstyr som forårsakes av montering av denne enheten.
- Dette dokumentet gir instruksjoner for DC Wallbox-laderen og skal ikke brukes for andre produkter. Før montering eller bruk av dette produktet bør du gjennomgå bruksanvisningen nøye og konsultere en lisensiert entreprenør, lisensiert elektriker eller opplært monteringsseksperter for å sikre overholdelse av lokale byggeforskrifter og sikkerhetsstandarder.

Servicekabling

Jordforbindelse

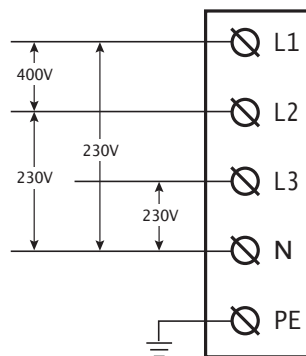
Koble alltid nullederen på service til jord. Hvis tilkobling til jord ikke gis av den elektriske tjenesten, må en jordingsstake monteres i nærheten. Jordingsstaken må være koblet til jordingsstangen i hovedbryterpanelet, og nullederen må kobles til jord ved det tidspunktet.

380-415 V trefaset



ADVARSEL!

Denne innmatingen er fra et strømnett med gaffelkopling, og DC Wallbox kan kobles til L1, L2 eller L3 og til nulleleder. Jord må være koblet til nullederen på bare ett punkt, vanligvis på bryterpanelet.



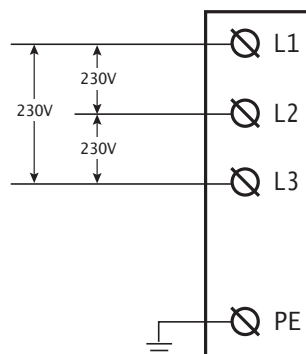
Figur 1. 380-415 V trefaset ledningsforbindelse

200-230 V trefaset



ADVARSEL!

Denne innmatingen er fra et strømnett med Delta-kopling, og DC Wallbox kan kobles til L1, L2 eller L3 og til nulleleder. Jord må være koblet til nullederen på bare ett punkt, vanligvis på bryterpanelet.



Figur 2. 200-230 V trefaset ledningsforbindelse



ADVARSEL!

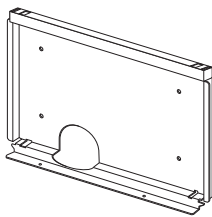
Høy lekkasjestrøm.
Jordtilkobling er nødvendig før tilkobling av strømtilførsel.

Før montering

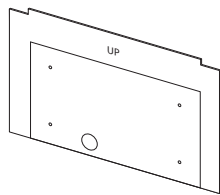
Sikkerhetskrav

- Sørg for at du gjennomgår standard driftsprosedyre (SOP) og sikrer at lokale bygge- og elektrisitetsforskrifter er gjennomgått før montering av DC Wallbox-laderen.
- DC Wallbox-laderen skal monteres av en kvalifisert tekniker i henhold til bruksveiledningen og lokale sikkerhetsforskrifter.
- Bruk passende beskyttelse når du kobler til kabelen for hovedkraftfordeling.
- Frakoblingsbryter for hver ujordede leder for vekselstrømsinngang skal forsynes av andre i henhold til IEC61851-1.
- For trefaset, firekablet 380-415 VAC-tilførsel skal en bryter av type C eller D med 30 mA av typen A RCD med fire poler i oppstrømspanelet monteres og merkestrømmen på bryteren skal være 50 A.
- For trefaset, trekablet 200-230 VAC-tilførsel skal en bryter av type C eller D med 30 mA av typen A RCD i oppstrømspanelet monteres og merkestrømmen på bryteren skal være 100 A.

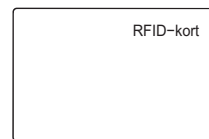
Tilbehørssett



Monteringsbrakett x 1



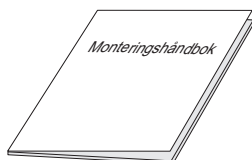
Monteringsmal x 1



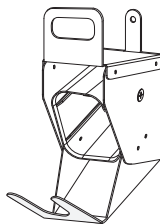
RFID-kort x 2



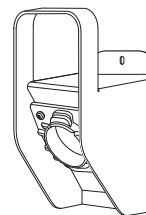
Nøkler x 2



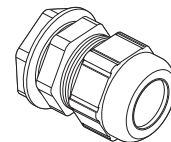
Bruksanvisning x 1



CCS2-pluggholder x 1



CHAdeMO-pluggholder x 1 (bare for modell med dobbel utgang)



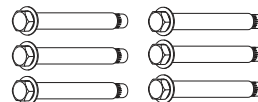
Kabelkjertel x 1



Pose med
brakettsskruer x 2
(SKRUE M M6*1*8
PAN TORX SUS NL)



Pose med
jordingsskrue x 1
(SKRUE M M6*1*12
HEXH C S+P S20C
ZN-NI)



Pose med
ekspansjonsbolter x 6
(+2 bare for modell
med dobbel utgang)
(ANKER SUS 16*50,8
PICKLING)

Anbefalte verktøy

Følgende verktøy anbefales for montering av DC Wallbox-laderen:

- (1x) Voltmeter eller digitalt universalmåleverktøy
- (1x) Vannvater
- (1x) Hammer
- (1x) Boremaskin for betong
- (1x) Avbiter/avisoleringstang
- (1x) Torx[®] inngrepssikker T15- og T25-skrujern
- (1x) Nr. 8 flatskrujern og pipenøkkel
- (1x) Nr. 6 flatskrujern
- (1x) Nr. 2 Philips skrujern
- (1x) Nr. 3 Philips skrujern
- (1x) M50 ledningsnav, ledning og skrunøkkel for hovedkraftledninger
- (1x) M25 ledningsnav, ledning og skrunøkkel for Ethernet
- (4x) Ringterminal RNB14-6 for L1/L2/L3/N-ledning (14 mm² kobberledning) i modeller med 380-415 V trefaset inngang
- (3x) Ringterminal RNB38-6 for L1/L2/L3-ledning (38 mm² kobberledning) i modeller med 200-230 V trefaset inngang
- (1x) Ringterminal RNB14-6 for PE-/jordledning (14 mm² kobberledning)

Viktige sikkerhetsinstruksjoner.

Ta vare på disse instruksjonene.

- DC Wallbox-laderen skal bare monteres av en lisensiert entreprenør og/eller en lisensiert elektriker i henhold til alle gjeldende lokale og nasjonale elektrisitetsforskrifter og -standarder.
- Før montering av DC Wallbox-laderen må du gjennomgå denne veiledningen nøye og konsultere en lisensiert entreprenør, lisensiert elektriker og opplært monteringsekspert for å sikre overholdelse av lokale byggepraksiser, klimaforhold, sikkerhetsstandarder og nasjonale og lokale bestemmelser.



ADVARSEL!

Fare for elektrisk støt eller skade. Slå av strøm ved brytertavlen eller lastsenteret før du utfører arbeid i utstyret eller fjerner komponenter. Ikke fjern beskyttende enheter for kretsene eller andre komponenter før strømmen er slått av.



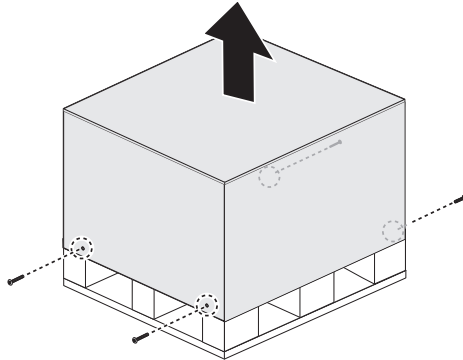
OBS!

FOR Å UNNGÅ SKADE PÅ LADEREN OG PERSONSKADE, MÅ DU SØRGE FOR AT MONTERINGSSTEDET KAN STØTTE VEKTEN TIL DC WALLBOX-LADEREN.

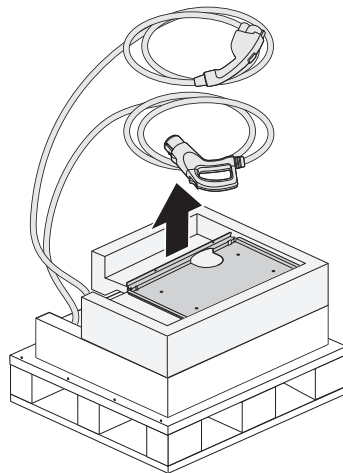
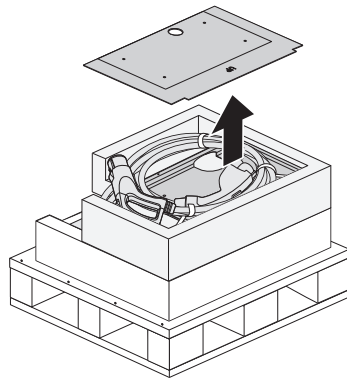
Montering av DC Wallbox-laderen

Forberedelse

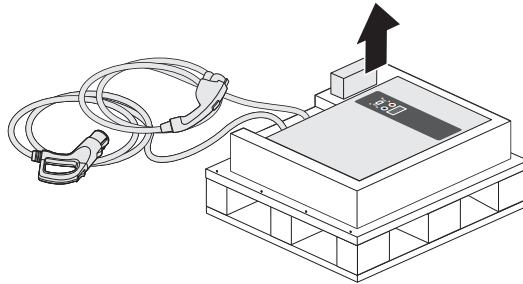
1. Løsne skruene på kassen (to sider) med en nr. 8 pipenøkkel.
2. Åpne topplokket til finerplatekassen.



3. Ta ut monteringsmalen og kutt av kabelstroppene for å bevege ladepluggen.



4. Fjern skumplasten øverst, åpne plastposen og ta ut enheten.

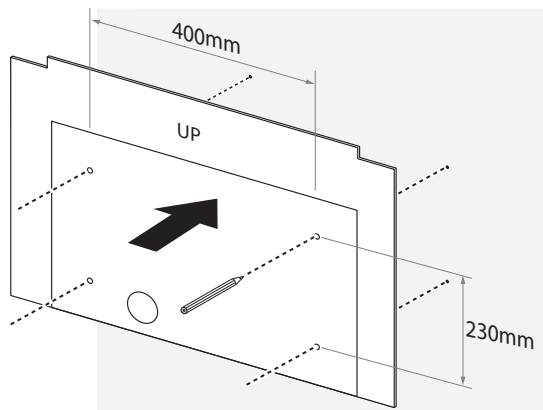


Merk:

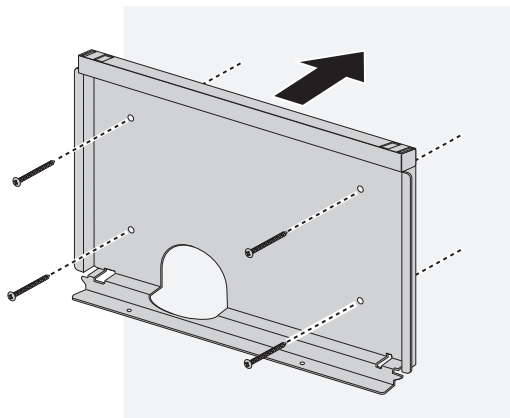
Plasser enheten og ladepluggen på bakken eller en flat overflate på dette punktet.

Veggmontering

1. Bruk malen og nivelleringsverktøyet til å markere monteringsposisjonen.



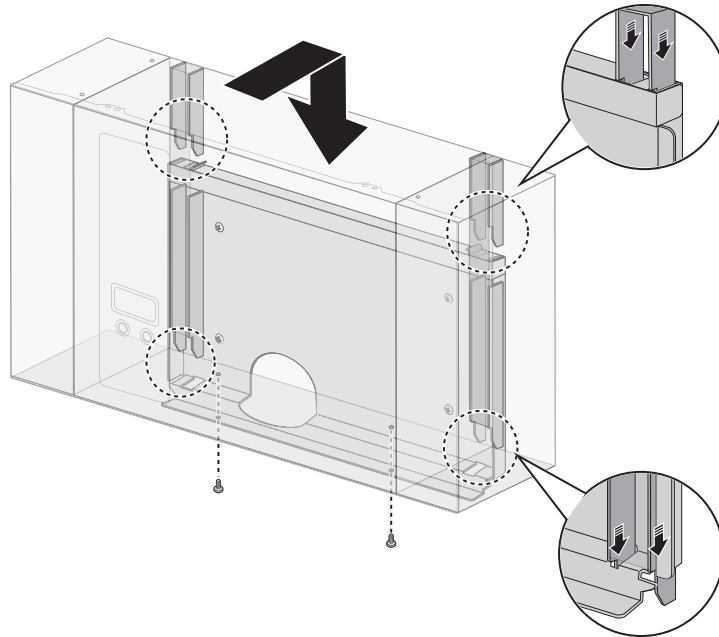
2. Monter braketten på veggen.



Merk:

- **Enheten må monteres på en fast vegg (helst betong eller metall).**
- Bruk ekspansjonsboltene i tilbehørssettet eller velg riktige monteringsskruer for forskjellige veggtyper. En boremaskin kan være nødvendig i visse omstendigheter.
- Følg gjeldende krav for tilgjengelighet for monteringsposisjonen. Enheten må monteres ved en tilstrekkelig høyde fra stigningen slik at høyden til lagringen befinner seg **mellom 60 cm og 120 cm** fra stigningen i henhold til NEC-artikkel 625.

3. Plasser enheten i braketten. Rett inn den bakre innsatsrammen til enheten med samsvarende spor på braketten. Dra enheten sakte nedover til den sitter godt på braketten. Fest to skruer nedenfra.



Merk:
Festeskrueene for underdelen finnes i tilbehørssettet.

Utføre tilkoblingen

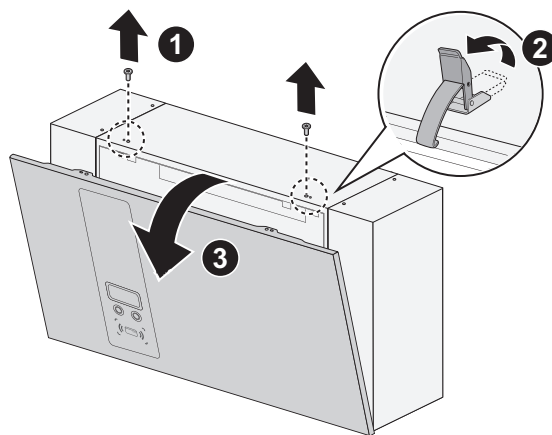


ADVARSEL!

Bruk bare et **Torx® inngrepssikker T15**-skrujern til å fjerne skruene. Bruk av andre verktøy kan skade skruene og panelet.

Tilkobling av strøm

1. Åpne frontdekselet for kabling.
 - a. Løsne to skruer øverst.
 - b. Løsne låsene for å åpne frontdekselet.
 - c. Trekk frontdekselet forsiktig ned.



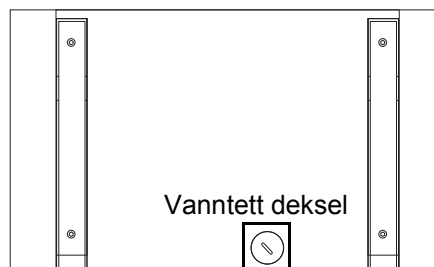
2. Ruting av strømledningene er mulig via bunnen eller baksiden av kabinettet.
Velg stedet for ruting av strømledningene.

Ledninger matet inn nedenfra:

- a. Mat inn ledningene fra undersiden. Sørg for at ledningene kan nå kopleingene før du fester dem.
- b. Fortsett med festing av ledningene - se følgende trinn.

Ledninger matet inn bakfra:

- a. Fjern det vanntette dekslet fra baksiden av kabinettet og sett det vanntette dekslet inn i stedet for kabeltilgang nederst på kabinettet.



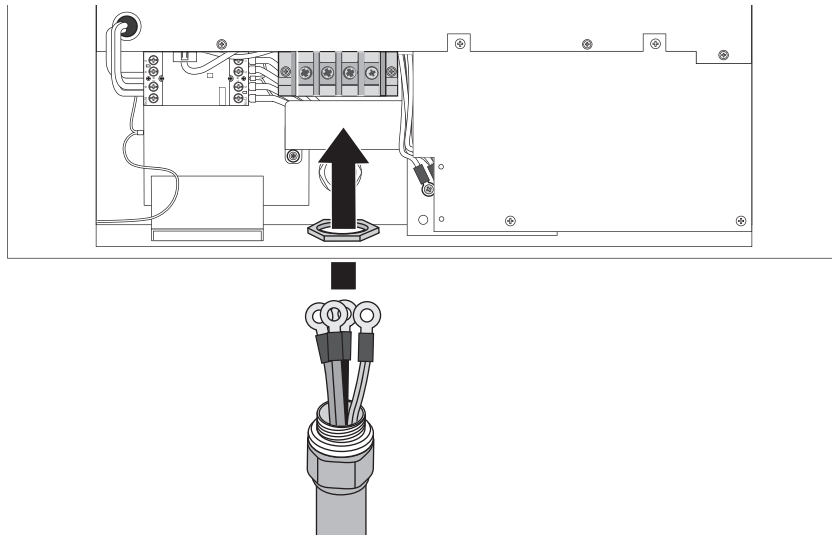
- b. Fortsett med følgende trinn.



OBS!

LEDNINGER MATET INN BAKFRA KAN FØRE TIL FARE FOR VANNLEKKASJE. IKKE VELG DENNE TILKOBLINGEN AV LEDNINGER I BELIGGENHETER UTENDØRS.

3. Fest kabelgjennomføringen for å sikre ledninger.



Merk:

For å sikre beskyttelse mot vær og vind må du sørge for å bruke **sertifiserte IP55-kabelgjennomføringer (eller over)**.

4. Fjern lokket på kabelhodet og koble ledningene til riktige terminaler. Se følgende informasjon for tilkobling for spesifikke modeller.

Ledningskrav er avhengig av modelltypen og mellom modeller med enkelt- eller trefase.

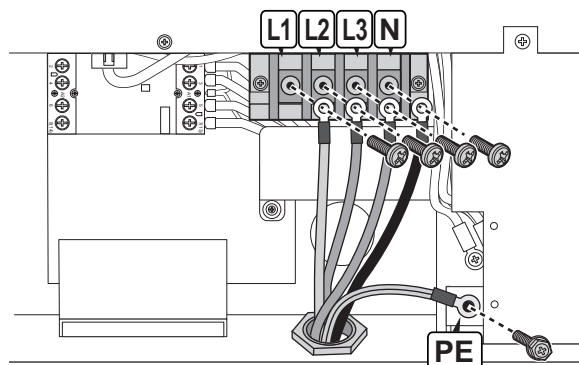


ADVARSEL!

Farging av ledninger kan defineres annerledes, avhengig av regionen.

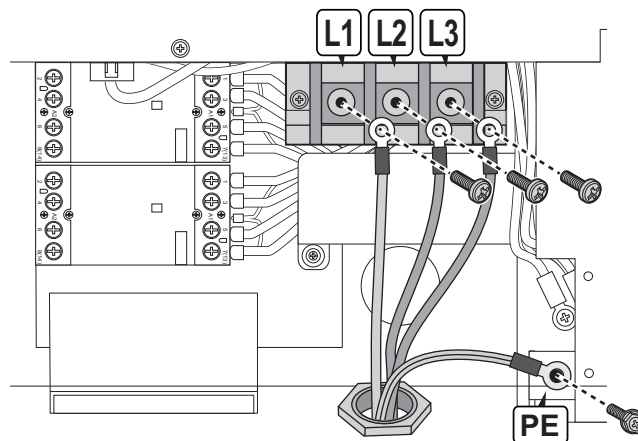
Trefase

Kabling av 380-415 VAC

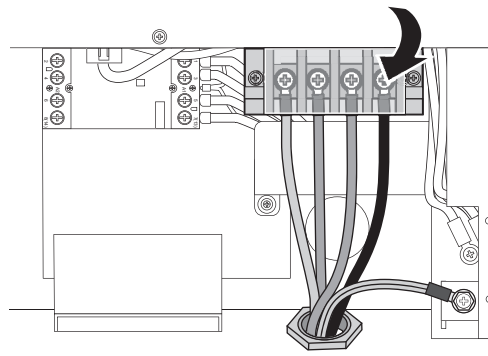


- Bruk ledningsnavn og ledningsstørrelse M50 i henhold til EN 61386-24.
- Koble strømledningene til 4 x RNB14-6-ringterminal med kabelsko til inngangsterminalen merket med L1 , L2 , L3 og N med 4 x M6.0-skrue med 33 kg-cm momentkraft.
- Koble jordledningen til RNB14-6 inn i jordterminalen merket med jordsymbolet (⊕) med 1 x M6.0-skrue med 20 kg-cm momentkraft.

Kabling av 200-230 VAC

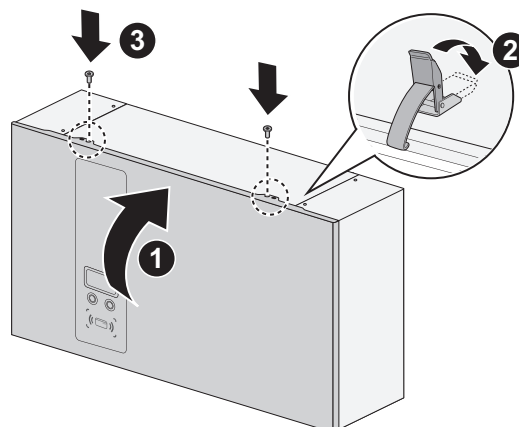


- Bruk ledningsnavn og ledningsstørrelse M50 i henhold til EN 61386-24.
 - Koble strømledningene til 3 x RNB38-6-ringterminal med kabelsko til inngangsterminalen merket med L1 , L2 og L3 med 3 x M6.0-skrue med 33 kg-cm momentkraft.
 - Koble jordledningen til RNB14-6 inn i jordterminalen merket med jordsymbolet (\oplus) med 1 x M6.0-skrue med 20 kg-cm momentkraft.
5. Fest hver ledning med riktig skruer. Sørg for at riktig mengde dreiemoment brukes. Se oppført informasjon.
 6. Plasser lokket tilbake på kabelhode.

**OBS!**

SØRG FOR AT DEN ELEKTRISKE LEDNINGEN ER RETTET INN MED ÅPNINGEN FOR INNMATING AV LEDNING FOR DC WALLBOX-LADEREN FØR MONTERING. UNNLAETELSE FRA Å GJØRE DET KAN FØRE TIL SKADE PÅ LEDNINGENE ELLER LADEREN.

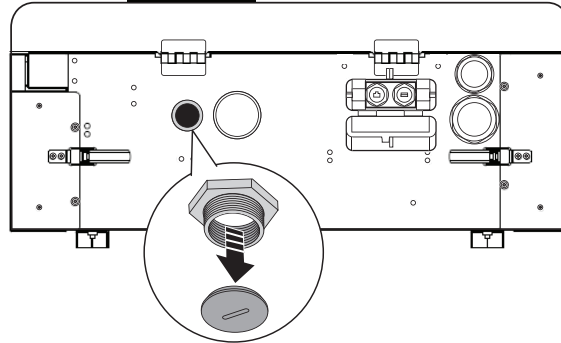
7. Sett frontdekselet på plass og fest skruene godt.



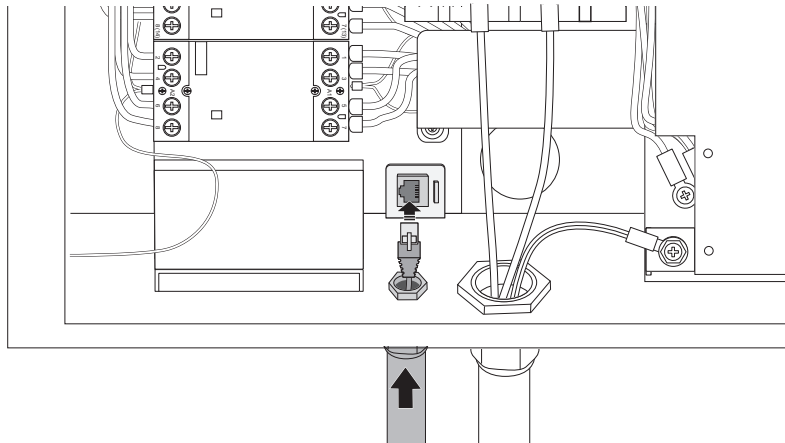
Ethernet-tilkobling

Det anbefales å koble Ethernet-kabler via tilgangsportene på undersiden. Det er nødvendig å åpne frontdekselet.

1. Fjern det vanntette dekselet fra Ethernet-tilgangsporten.



2. Sett kablen inn gjennom porten og koble Ethernet-kablen til terminalen.
3. Fest ledningen eller kabelgjennomføringen for å feste kablen.

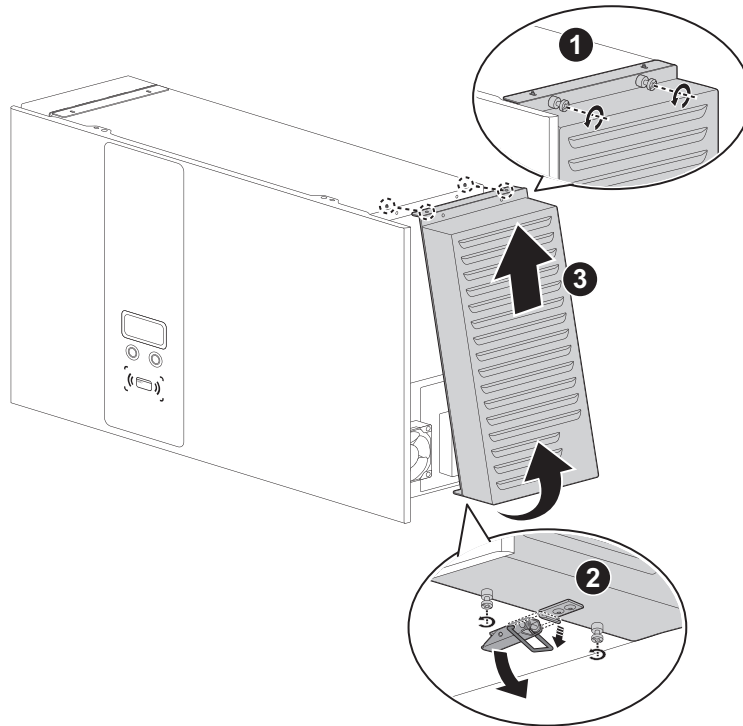


Merk:

For å sikre beskyttelse mot vær og vind må du sørge for å bruke **sertifiserte IP55-kabelgjennomføringer (eller over)**.

3G-tilkobling

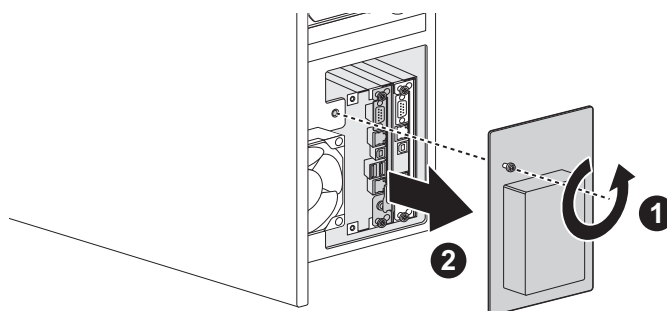
1. Fjern det høyre filterdekselet.
 - a. Løsne skruene øverst.
 - b. Løsne skruene nederst og trekk ut låsen.
 - c. Åpne og fjern filterdekselet.



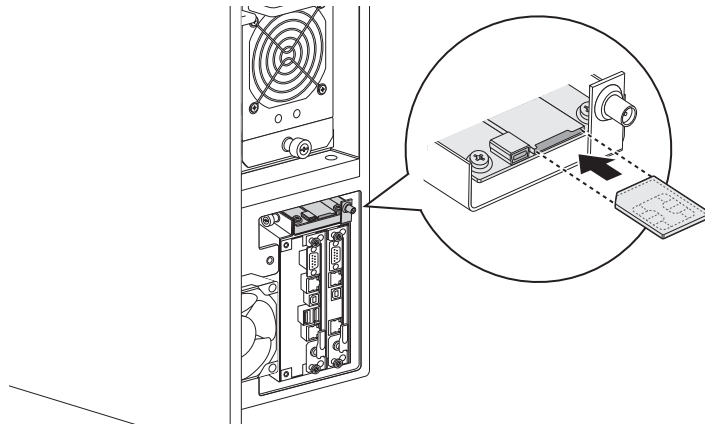
ADVARSEL!

Bruk bare et **Torx® inngrepssikker T25**-skrujern til å fjerne skruene på enheten. Bruk av andre verktøy kan skade skruene og panelet.

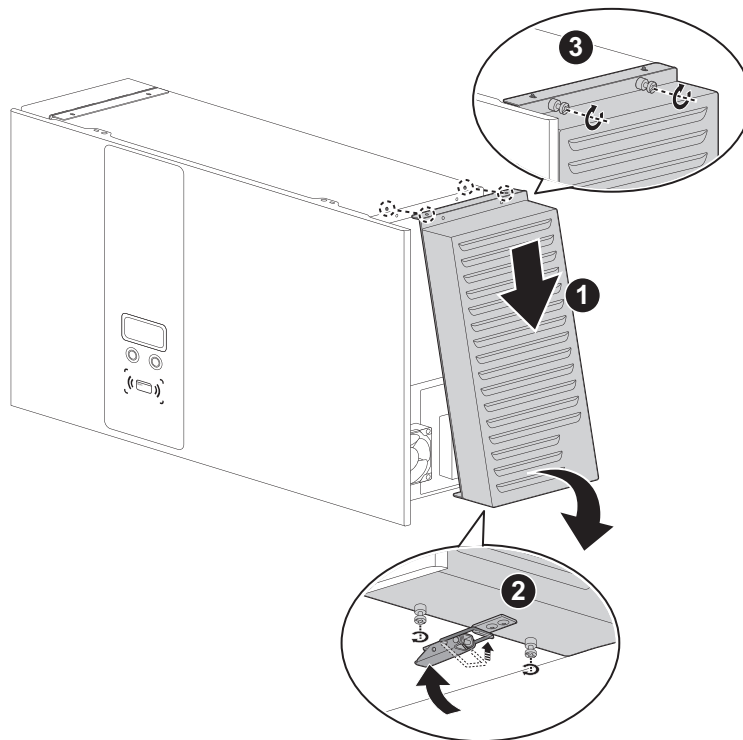
2. Fjern beskyttelsesdekselet på høyre side.



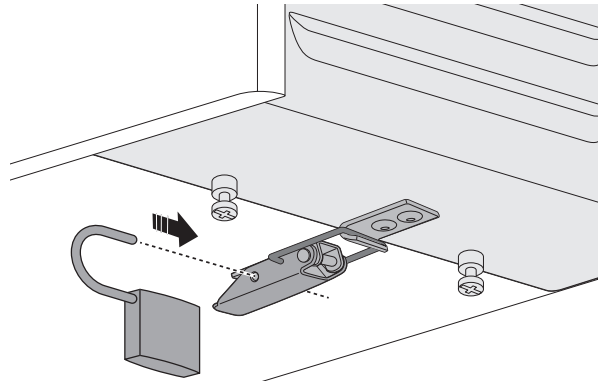
3. Sett inn mikro-SIM-kort på 3G-panelet. Fest beskyttelsesdekelet igjen.



4. Sett det høyre filterdekelet på plass.
- Heng filterdekelet på enheten.
 - Trekk ned pluggen og sett filterdekelet på plass.
 - Fest skruer nederst.
 - Fest skruer øverst.

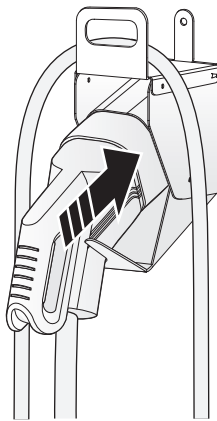


- e. Lukk klinken på bunnen. Klinken har et hull på 3,3 mm i diameter hvor du kan sette inn en hengelås for å unngå tukling.

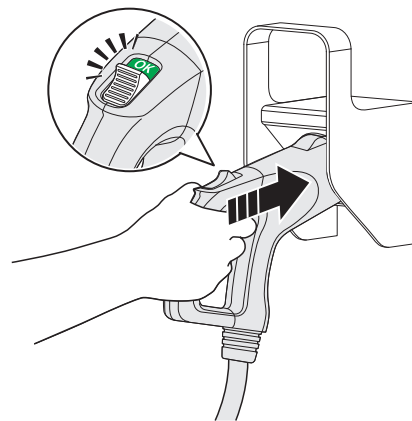


Sett ladeplugg

1. Monter hengeren for ladepluggen på veggen.
2. Plasser ladekabelen og -pluggen på riktig måte på hengeren.



IEC DC (CCS2)

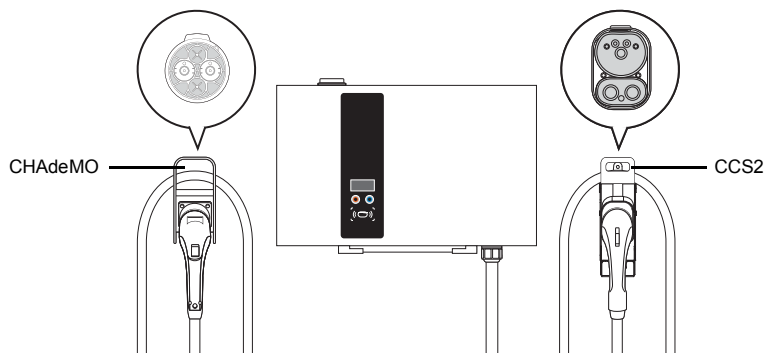


CHAdeMO - bare for modell med dobbel utgang

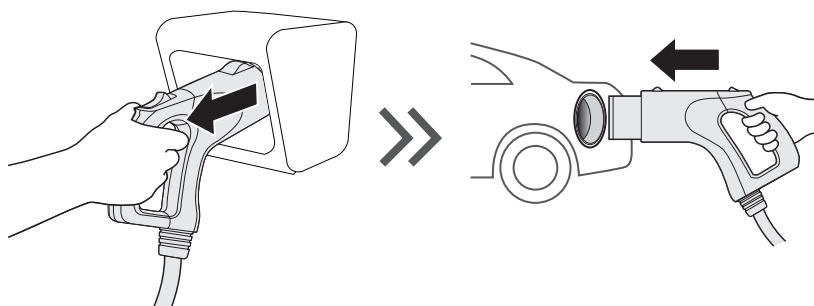
3. Sett på strømmen og vri nøkkelen for å starte DC Wallbox når alle trinnene er fullført.

Bruk

1. Velg foretrukket språk.
2. Velg en kompatibel plugg (CCS eller CHAdeMO).



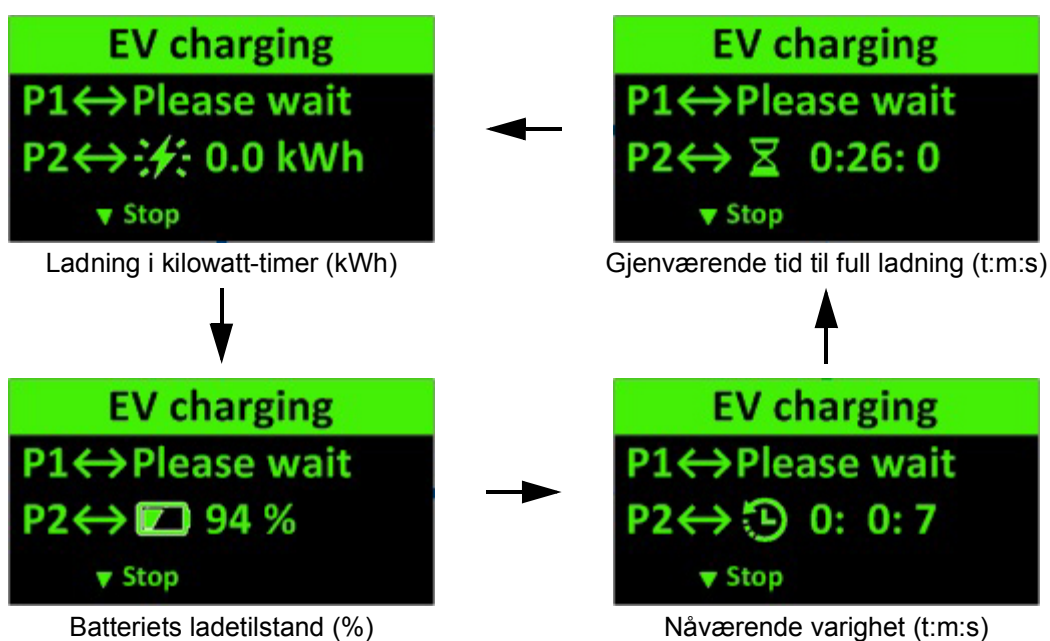
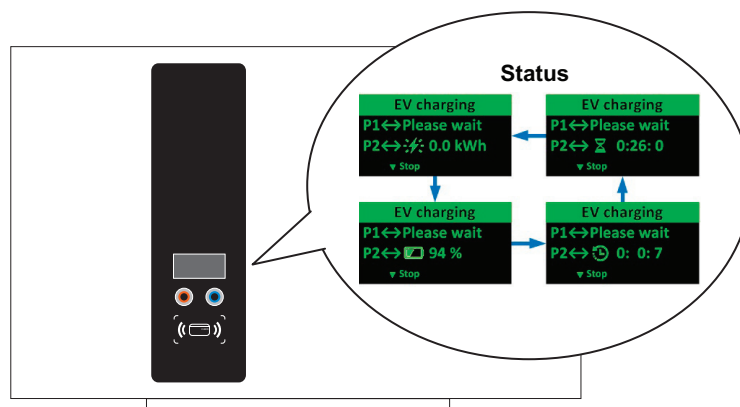
3. Koble pluggen til elbilen.



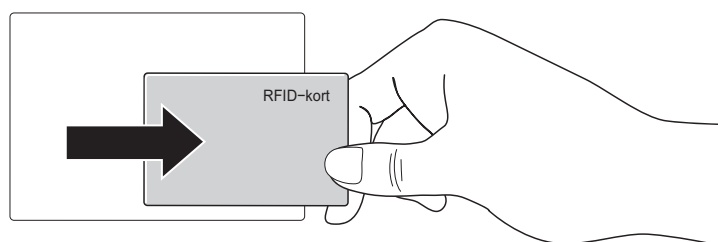
4. Sveip et autorisert RFID-kort for å starte lading. Den autoriserte RFID-en kan brukes direkte uten aktivering eller innstilling.



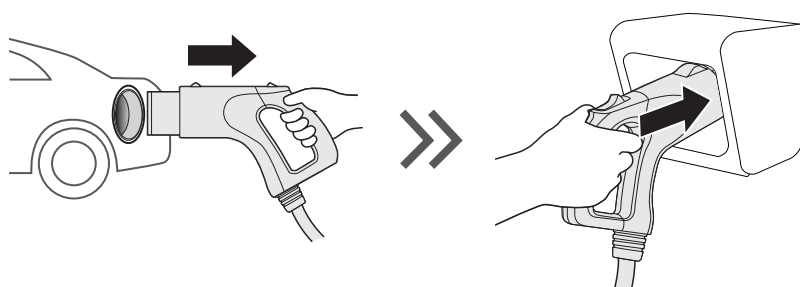
5. Når ladingen starter, vises statusinformasjon på skjermen. De følgende illustrasjonene demonstrerer starten til nesten fullført ladeprosedyre.



6. Sveip det autoriserte RFID-kortet for å stoppe.



7. Sett pluggen tilbake til holderen.



Konfigurasjon av systemet

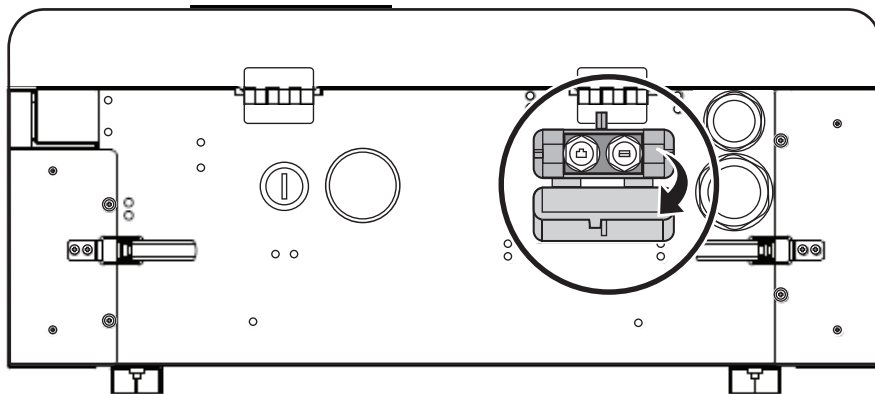


ADVARSEL!

Bare konfigurert laderen når laderen ikke er i lademodus, for å unngå avbrudd av en pågående ladeøkt.

Trinn:

1. Bruk det Windows-baserte konfigurasjonsverktøyet fra DC Wallbox-produzenten.
2. Når konfigurasjonen er ferdig, kopierer du parameterfilen (DeltaDCWallboxConfig) til roten til en USB-minnepinne (filformatet skal være FAT/FAT32).
3. Sett USB-minnepinnen inn i USB-porten nederst (merket USB). Konfigurasjonen lastes opp til DC Wallbox.



4. Fjern USB-minnepinnen når konfigurasjonen er fullført.

USB inserted
Configuration...



USB inserted
Configuration OK

5. Lukk beskyttelsesdekslet. Klinken har et hull hvor du kan sette inn en hengelås for å unngå tukling.

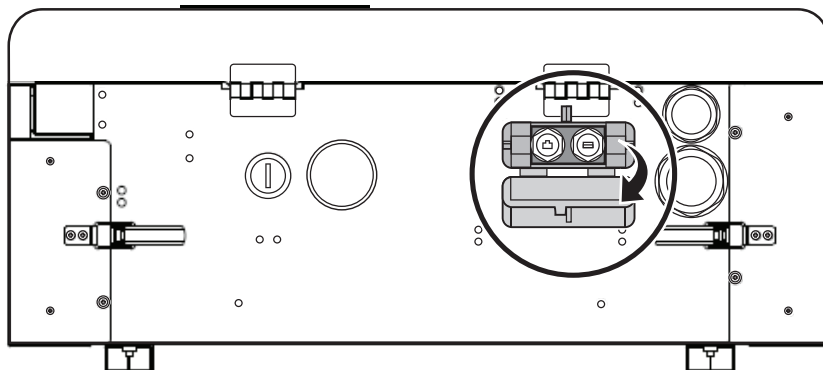
3G-konfigurasjon

For modeller som er utstyrt med 3G-modemet, setter du inn et gyldig 3G-SIM-kort (WCDMA) i henhold til instruksjonene i tidligere trinn (side 14) for å starte 3G-tilkoblingen. Konsulter den lokale operatøren for å aktivere datatjeneste på SIM-kortet på forhånd. Deaktiver sjekk av PIN-kode på SIM-kortet før du setter kortet inn i modemet. Be om APN-informasjon fra operatøren og sørg for at APN er riktig konfigurert via konfigurasjonsverktøyet.

Oppdatering av fastvare

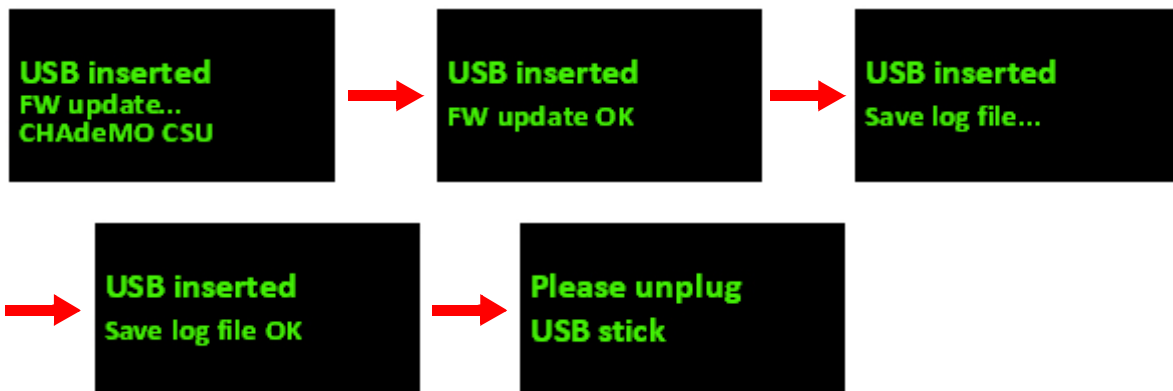
Oppdatering av fastvare kan utføres via USB-porten nederst på kabinettet.

1. Skaff deg en USB-minnepinne. Stasjonen må formateres til FAT/FAT32-format.
2. Sett USB-minnepinnen inn i USB-porten nederst på enheten (merket USB).



Oppdateringen av fastvare lastes opp til DC Wallbox.

Statusen vises på panelet.



3. Når systemet fullfører oppdateringsprosedyren, starter det automatisk på nytt.
4. Lukk beskyttelsesdekselet. Klinken har et hull hvor du kan sette inn en hengelås for å unngå tukling.

Vedlikehold

Hver sjette måned,

1. Bytt ut ventilasjonsfilteret.
2. Utfør visuell inspeksjon av ladekabelen og sørg for at kabelen ikke viser synlig skade eller deformering.
3. Utfør visuell inspeksjon av ladepistolen og sørg for at pistolen ikke viser synlig skade, gnistoverslag eller rust.



ADVARSEL!

For å unngå fare for elektrisk støt eller skade må du slå av strømmen på brytertavlen eller lastsenteret før du utfører arbeid på utstyret eller fjerner komponenter. Ikke fjern beskyttende enheter for kretsene eller andre komponenter før strømmen er slått av.

Koble fra elektrisk effekt til DC Wallbox før vedlikehold for å sikre at den er koblet fra tilføreselen fra vekselstrømsnettet. Unnlattelse fra å gjøre det kan forårsake personskade eller skade på det elektriske anlegget og ladeenheten.



Merk:

- Før du slår av hovedbryteren for å kutte strømmen, må du registrere feilkoden på skjermen.
- Selv når nøkkelbryteren slås av, er kretsen før hovedterminalen fremdeles farlig. Utfør bare visuell inspeksjon på dette tidspunktet.
- Vedlikehold av DC Wallbox skal bare utføres av en kvalifisert tekniker.
- Etter åpning av frontdøren slår du av hovedbryteren og hjelpebryteren før alt vedlikeholdsarbeid.

Garanti

Generelle garantikrav

Delta garanterer at produktene vil være uten feil i materialer og arbeid i en periode på to år for EVSE fra S/N stemplet på produktet, av den originale kjøperen fra Delta Company. Denne garantien gjelder kun den originale kjøperen og kan ikke overføres til en tredjepart.

Avhending

Etter å ha satt enheten ut av drift på riktig måte ber vi deg avhende den ved tjenesteavdelingen i samsvar med gjeldende regler for avfallsdeponering. Elektriske og elektroniske enheter, inkludert tilbehør, må avhendes separat fra generelt avfall.



Resirkuler pakkemateriale som er laget av resirkulerbart materiale, som papir, papp, tre osv. og kast andre pakkematerialer som ikke kan resirkuleres i søppelkassen. Du kan være en betydelig del av å beskytte miljøet vårt ved å resirkulere materialene riktig.

Systemkode

Alarmkode	Beskrivelse
004001	Systemets inngangsspenning er høyere enn gjennomførbart spekter (> 305 volt)
004002	Systemets inngangsspenning (L2 eller L3) er lavere enn gjennomførbart spekter (< 170 volt)
004003	Systemets utgangsspenning er høyere enn den maksimale spenningen for batteriet på elbilen
004004	Forespurt utgangsstrøm fra elbilen er høyere enn nåværende evne for ladestasjonen
004005	Temperaturen til luftinngangen eller inngangskontaktoren er høyere enn gjennomførbart spekter (> 60 °C)
004006	Temperaturen til CCS-ladepluggen er høyere enn gjennomførbart spekter <ul style="list-style-type: none"> ● REMA => (> 85°C) ● Phoenix => (> 75°C)
004007	Luftfilteret må byttes ut
004008	Systemviften er svekket og må byttes ut
004009	Selvtesten av systemkontrollen endte med feil
00400A	Nødknappen er trykket
00400B	Brukeren som er autorisert av serverdelen, mislyktes
00400C	Brukeren som er autorisert av selve ladestasjonen, mislyktes
00400D	Temperatursensoren til luftinntaket er ødelagt
00400E	Temperatursensoren til inngangskontaktoren er ødelagt
00400F	SDP-utløser
004010	Utgangssikring ved CCS-siden er ødelagt
004011	Utgangssikring ved CHAdeMO-siden er ødelagt
004012	Temperatursensoren på CCS-komboladepluggen er ødelagt
004013	temperaturen til luftinngangen eller inngangskontaktoren er lavere enn gjennomførbart spekter (< -40 °C)
004014	Brukeren stoppet ladingen
004017	Systemet får tidsavbrudd hvis brukeren ikke plugger inn innen 3 minutter etter autorisering
004018	Ladetiden er over (maks. 2 t)
004019	Utilstrekkelig datalagring på systemet
004020	Ukjent feil
004021	Lading ble stoppet eksternt av serverdelkontoret
004022	Inngangsspenning er lav (<20 V, <100 ms)
004023	Systemets L1-inngangsspenning er lavere enn gjennomførbart spekter (< 170 volt)
005001	Kommunikasjon med CHAdeMO EV er brutt
005005	Kommunikasjon med CCS EV er brutt
005006	Kraftlikeretter er ødelagt (SMR)

Alarmkode	Beskrivelse
005007	Kommunikasjon med CCS-kontroller er brutt
005008	Kommunikasjon med hjelpemodul for strøm er ødelagt
005009	Kommunikasjon med modul for reléstyring er ødelagt
00500C	Kommunikasjon med visningsmodul er ødelagt
00500D	Kommunikasjon med RFID-modulen er brutt
00500E	3G-modul er ikke klar (selve modulen eller SIM-kort)
00500F	Wi-Fi-modulen er ikke klar
006001	3G-tilkoblingen er koblet fra APN
006002	3G-tilkoblingen er koblet fra Internett
006003	3G-tilkoblingen er koblet fra serverdelkontoret
006008	Ethernet-tilkoblingen er frakoblet fra Internett
006009	Ethernet-tilkoblingen er frakoblet fra serverdelkontoret
007001	Maskinvarekomponent i kraftlikeretter er ødelagt
007002	Inngangsspenning i kraftlikeretter er høyere enn gjennomførbart spekter
007003	Inngangsspenning i kraftlikeretter er lavere enn gjennomførbart spekter
007004	Utgangsspenning er høyere enn gjennomførbart spekter for kraftlikeretter
007006	Temperaturen til luftinngangen i kraftlikeretter er høyere enn gjennomførbart spekter (> 60 °C)
007008	Temperaturen til PFC er høyere enn gjennomførbart spekter
007009	Temperaturen til PFC er lavere enn gjennomførbart spekter
00700A	Temperaturen til DCDC er høyere enn gjennomførbart spekter
00700B	Temperaturen til DCDC er lavere enn gjennomførbart spekter
00700C	Viften i kraftlikeretter er ødelagt
00700D	Tetningsringen på utgangsdioden er ødelagt
00700E	Isoleringstesten mislyktes
008003	5 volt for systemkontroller er høyere enn gjennomførbart spekter
008004	5 volt for andre systemmoduler er høyere enn gjennomførbart spekter
008005	5 volt for CAN-buss er høyere enn gjennomførbart spekter
008006	12 volt for andre systemmoduler er høyere enn gjennomførbart spekter
008007	12 volt for EV-kommunikasjon er høyere enn gjennomførbart spekter
008008	24 volt for relékontroll er høyere enn gjennomførbart spekter
008009	5 volt for systemkontroller er lavere enn gjennomførbart spekter
00800A	5 volt for andre systemmoduler er lavere enn gjennomførbart spekter
00800B	5 volt for CAN-buss er lavere enn gjennomførbart spekter
00800C	12 volt for andre systemmoduler er lavere enn gjennomførbart spekter
00800D	12 volt for EV-kommunikasjon er lavere enn gjennomførbart spekter
00800E	24 volt for relékontroll er lavere enn gjennomførbart spekter

Alarmkode	Beskrivelse
008010	Utgangsspenningen på 5 volt for systemkontroller er høyere enn gjennomførbart spekter
008011	Utgangsspenningen på 5 volt for andre systemmoduler er høyere enn gjennomførbart spekter
008012	Utgangsspenningen på 5 volt for CAN-buss er høyere enn gjennomførbart spekter
008013	Utgangsspenningen på 12 volt for andre systemmoduler er høyere enn gjennomførbart spekter
008014	Utgangsspenningen på 12 volt for EV-kommunikasjon er høyere enn gjennomførbart spekter
008015	Utgangsspenningen på 24 volt for relékontroll er høyere enn gjennomførbart spekter
008016	Temperaturen på 12 volt for EV-kommunikasjon er høyere enn gjennomførbart spekter
008017	Temperaturen på 5 volt for andre systemmoduler er høyere enn gjennomførbart spekter
008018	Temperaturen på 24 volt for relékontroll er høyere enn gjennomførbart spekter
008019	Den omgivende temperaturen til til hjelpestrømmen er høyere enn gjennomførbart spekter
009001	GFD-utløser
009003	GFD-forhåndsvarsel
009004	GFD-selvtest mislyktes
00A001	Inngangskontaktor 1 sveiser
00A002	Inngangskontaktor 1 har drivakselfeil
00A003	Inngangskontaktor 2 sveiser
00A004	Inngangskontaktor 2 har drivakselfeil
00A005	Den positive siden av utgangsrelé for CCS-lading sveiser
00A006	Den positive siden av utgangsrelé for CCS-lading har drivakselfeil
00A007	Den positive siden av utgangsrelé for CHAdeMO-lading sveiser
00A008	Den positive siden av utgangsrelé for CHAdeMO-lading har drivakselfeil
00A009	Den negative siden av utgangsrelé for CCS-lading sveiser
00A00A	Den negative siden av utgangsrelé for CCS-lading har drivakselfeil
00A00B	Den negative siden av utgangsrelé for CHAdeMO-lading sveiser
00A00C	Den negative siden av utgangsrelé for CHAdeMO-lading har drivakselfeil
00B001	Oppdatering av fastvare for hjelpestrømmodulen mislyktes
00B002	Oppdatering av fastvare for modulen for relékontroll mislyktes
00B003	Oppdatering av fastvare for LCM-modulen mislyktes
00B004	Oppdatering av fastvare for CCS-lademodulen mislyktes
00B005	Oppdatering av fastvare for modulen for CHAdeMO-lading mislyktes
00B006	Oppdatering av fastvare for kraftstrømrettermodulen mislyktes
00C001	PLC-modulen for CCS-lading er ødelagt

Alarmkode	Beskrivelse
00C002	CCS-nærhet er frakoblet
00C003	stopp lading av CCS EV
00D001	Ingen ladetillatelse kommer fra CHAdeMO EV
00D002	Batterifeil kommer fra CHAdeMO EV
00D003	Batteriet er inkompatibelt med CHAdeMO EV
00D006	Nåværende utgangsstrøm er forskjellig fra målstrøm
00D007	Batteri-OTP kommer fra CHAdeMO EV
00D008	Nåværende utgangsspenning er forskjellig fra målstrøm
00D009	Alarm for endring av posisjon kommer fra CHAdeMO EV
00D00A	Annen EV-feil kommer fra CHAdeMO EV
00D00B	Låsen for CHAdeMO-kopling er ødelagt

Feilsøking

- Hvorfor er ikke skjermen til veggboksen for likestrøm på?
 1. Sjekk om nøkkelen er satt i på-posisjon.
 2. Sjekk om de to flerfunksjonsknappene under skjermen er på.
 - a. Hvis knappene ikke er på kan du sjekke om laderen er koblet til strømuttaket.
 - b. Hvis knappene er på betyr det at skjermen er ødelagt. I så fall bør du kontakte kundestøttenummeret.
- Jeg kan ikke koble til 3G/4G, hva skal jeg gjøre?

Sjekk om det finnes et SIM-kort uten PIN-kode i laderen og om modemledningen er koblet til.
- Jeg er koblet til 3G/4G, men kan ikke koble til backend (Alarm 006009).
 1. Sjekk konfigurasjonen hvis OCPP-innstillingen stemmer.
 2. Sjekk om det har oppstått problemer i backend.
- Flerfunksjonsknappen kan ikke brukes.

Sjekk om lyset på bunnen og skjermen er på.

 - a. Hvis lysene er av kan du kontrollere om laderen er koblet til strømuttaket.
 - b. Hvis kun én knapp er av, er knappen ødelagt og du bør ta kontakt med kundestøttenummeret.
- Hvorfor er veggboksen for likestrøm vinglete eller ustø etter montering?

Sjekk om monteringsbraketten er sikkert festet og om støtteveggen eller -strukturen er egnet til å holde et objekt på 80 kg. Hvis monteringsbraketten er sikker, men veggen ikke er stø, bør du remontere på en sikrere støttevegg som kan støtte EV-laderen.
- Ingen ladehandling etter å ha dratt RFID-kortet
 1. Bekreft konfigurasjonsinnstillingen. Bekreftelsesmodus bør være av Delta Card.
 2. Bruk et annet Delta Card for å prøve igjen. Hvis det nye kortet lykkes. Du bør erstatte det andre RFID-kortet.
- Hva gjør jeg hvis jeg trykker på nødknappen ved et uhell? (Alarmkode: 00400A)

Vend og dra den røde knappen til venstre for laderen, slik at laderen kan fungere som normalt igjen.

Spesifikasjoner

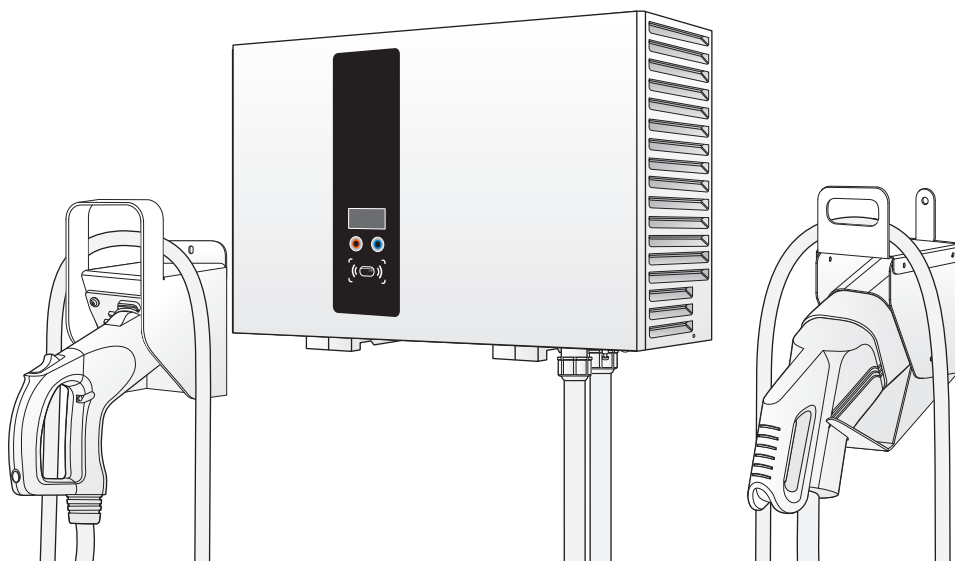
Modell	EVDE25XXDXX	EVDE25XXEXX
Inngangsverdi	380-415 VAC; 50/60Hz; 50 A maks.	200-230 VAC; 50/60Hz; 90 A maks.
Kabling	Trefaset/L1, L2, L3, N, PE	Trefaset/L1, L2, L3, PE
Effektfaktor	> 0,98	
Nåværende THD	Overholder EN61000-3-12, IEEE 519	
Effektivitet	94%	
DC-utgang 1	IEC CCS DC-nivå 2, 50-500 VDC, 60 A maks., 25 kW maks.	
DC-utgang 2	CHAdEMO, 50-500 VDC, 60 A maks., 25 kW maks.	
Beskyttelse	Overstrøm, underspenning, overspenning, overspenningsvern, kortslutning, over temperatur, jordfeil	
Skjem	2,7 OLED-skjerm	
Trykknapper	Multifunksjonsknapper (LED-lys: oransje, blå) / nødstopknapp (rød)	
Autentisering	ISO/IEC 14443 type A/B RFID for brukerautentisering	
Nettverksgrensesnitt	Ethernet (standard), Cellular (valgfritt, mikro-SIM-kort)	
Brukstemperatur	-30 °C til 50 °C	
Luffuktighet	< 95% relativ luffuktighet, ikke-kondenserende	
Høyde	Opptil 2000 m	
Inntrengingsvurdering	IP55	
IK-vurdering	IK08 i henhold til IEC62262	
Kjøling	Tvunget luft	
Ladekabel	Standard: 4 m Valgfritt IEC CCS DC: 7 m	
Mål (L x H x D)	680 x 430 x 230 mm	
Vekt	43 kg, ekskludert plugg og kabel	
Sertifikat	IEC 61851-1, IEC 61851-23	
Elektromagnetisk kompatibilitet:	IEC16000 klasse B FCC Part 15 klasse B	





Carregador DC Wallbox

Instalação e Manual de Instruções



Versão: 1.2.0

Data de emissão: 2020/03

ÍNDICE

Introdução	1
Caraterísticas	1
Aplicações	2
Instruções Importantes a Nível de Segurança e Instalação da Cablagem 3	
Seleção do Local de Instalação	3
Segurança e Conformidade	3
Cablagem do Sistema	3
Antes da Instalação.	5
Requisitos de Segurança	5
Conjunto de Acessórios	5
Ferramentas Recomendadas.	6
Instalação do Carregador DC Wallbox	7
Fazer a Ligação	10
Funcionamento	17
Configuração do Sistema	19
Configuração 3G	20
Atualização de Firmware	20
Manutenção	21
Garantia	21
Requisitos gerais de garantia.	21
Eliminação.	21
Código de Sistema	22
Resolução de problemas	26
Especificações	27

Convenções

Convenções Gerais

Neste manual são utilizadas as seguintes convenções:



Nota:

Indica informações adicionais importantes para o atual processo ou procedimento.



ALERTA!

As informações de alerta surgem antes do texto a que se referem para enfatizar que o conteúdo pode prevenir danos ao dispositivo ou ao equipamento.



PERIGO!

OS AVISOS DE PERIGO SURGEM ANTES DO TEXTO A QUE SE REFEREM. OS AVISOS DE PERIGO SURGEM EM LETRAS MAIÚSCULAS PARA ENFATIZAR QUE A MENSAGEM CONTÉM INFORMAÇÕES DE SAÚDE E SEGURANÇA FUNDAMENTAIS.

Convenções Tipográficas

Neste documento, são utilizadas as seguintes convenções tipográficas:

Itálico

Indica títulos de livros, nomes de diretórios, nomes de ficheiros, nomes de caminhos e nomes de programas / processos.

Largura constante

Indica a saída do computador exibida num ecrã de computador, incluindo menus, avisos, respostas para entrada e mensagens de erro.

Negrito de largura constante

Indica comandos ou informações introduzidas literalmente por um utilizador no computador. Variáveis contidas na entrada do utilizador são exibidas entre parênteses angulares (< >).

Itálico negrito

Indica teclas que são pressionadas pelo utilizador

Copyright

A posse e todos os direitos de propriedade intelectual desta Instalação e Manual de Instruções (este “Manual”), incluindo mas não se limitando ao conteúdo, dados e números contidos neste documento, são conferidos pela Delta Electronics, Inc. (“Delta”). O Manual apenas pode ser aplicado à operação ou utilização do produto. Qualquer distribuição, duplicação, disseminação, reprodução, modificação, tradução, extração, ou outra utilização do Manual sem a obtenção de permissão escrita prévia da Delta é proibida. Uma vez que o produto será continuamente desenvolvido e melhorado, a Delta pode modificar ou atualizar periodicamente o Manual sem qualquer aviso. A Delta fará os possíveis para manter o Manual atualizado e rigoroso. A Delta rejeita qualquer tipo ou forma de seguro, garantia ou obrigação, explícita ou implícita, incluindo mas não se limitando à exaustividade, rigor, conformidade, comerciabilidade ou adequação para propósitos ou utilizações particulares.

Copyright © Delta Electronics, Inc. Todos os Direitos Reservados.

Introdução

Atualmente, o carregador DC Wallbox é a melhor escolha para alimentar veículos elétricos movidos a bateria (BEV, do inglês "Battery Electric Vehicle") e veículos elétricos híbridos projetados para também poderem ser recarregados através de uma fonte de energia elétrica externa (PHEV, do inglês "Plug-In Hybrid Electric Vehicle"). Foi concebido para fins de carregamento rápido em locais públicos e privados, tais como espaços de estacionamento localizados em estabelecimentos de comércio a retalho e outras áreas comerciais, estações de carregamento de frotas, áreas de serviço de autoestradas, locais de trabalho, residências, etc.

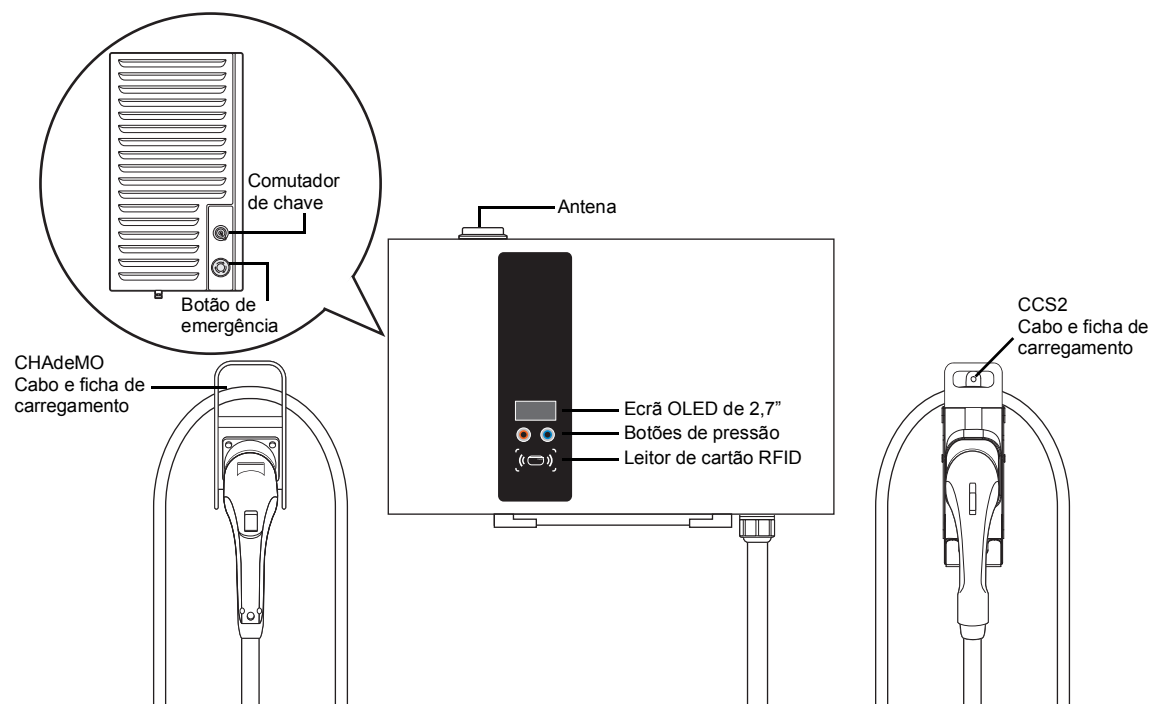
O carregador DC Wallbox tem a vantagem de ser fácil de instalar. Os módulos de montagem na parede e de alimentação através de tomada permitem que a instalação seja feita em vários tipos de localizações, de forma flexível e com boa relação custo-benefício. O carregador DC Wallbox também dispõe de capacidade de comunicação em rede, podendo estabelecer ligação a sistemas de rede remota e fornecer aos condutores de carros elétricos informações em tempo real, tais como a localização das estações de carregamento, progresso do carregamento e informações de faturação. O carregador DC Wallbox dispõe de uma interface de utilizador clara e com botões de função, sistema de segurança do fornecimento de energia e uma excelente tecnologia que o torna à prova de água e poeiras, a fim de lhe proporcionar a melhor escolha para ambientes exteriores. Também pode ser integrado com sistemas de energias renováveis, tais como tecnologias de energia solar e eólica, a fim de proporcionar a infraestrutura energética mais económica para o desenvolvimento do sistema EV.

Caraterísticas

- Os módulos de montagem na parede e de alimentação através de tomada permitem que a instalação seja feita de forma fácil e flexível.
- Oferece aos clientes a conveniência de terem controlo total sobre o início e conclusão do carregamento, a partir de um cartão RFID autorizado.
- Construído de acordo com os mais recentes padrões da indústria para carregamentos de corrente contínua.
- Inclui classificação para fins de utilização em ambientes exteriores, o que lhe permite resistir a infiltrações de materiais sólidos e líquidos quando é utilizado ao ar livre, tornando a unidade mais estável e altamente fiável.
- Dispõe de uma interface apresentada em ecrã OLED de alto contraste com botões multifuncionais.

Aplicações

- Espaços de estacionamento públicos e privados
- Espaços de estacionamento comunitários
- Áreas de estacionamento de hotéis, supermercados e centros comerciais
- Áreas de estacionamento de locais de trabalho
- Estações de carregamento
- Áreas de descanso de autoestradas



Instruções Importantes a Nível de Segurança e Instalação da Cablagem

Seleção do Local de Instalação

O carregador DC Wallbox pode ser instalado em espaços interiores ou exteriores. É necessário levar em conta as condições de instalação e proteção no local:

- Cumpra os regulamentos e normas de instalação locais referentes a sistemas elétricos
- Considere os percursos de emergência no local de instalação
- Não instale o aparelho em áreas com atmosferas potencialmente explosivas (áreas "ex").

Segurança e Conformidade

- Antes de instalar ou utilizar o dispositivo, leia o manual.
- Não introduza ferramentas, materiais ou partes do corpo na ficha do veículo elétrico.
- Não utilize o carregador DC Wallbox se o compartimento, cabo elétrico ou cabo de carregamento estiver desgastado, tiver o isolamento estragado ou apresentar outros sinais de danos.
- Não instale nem utilize o carregador DC Wallbox se o invólucro estiver partido, rachado, aberto ou apresentar outros sinais de danos.
- A instalação do carregador DC Wallbox deve ser feita exclusivamente por um técnico qualificado.
- Certifique-se de que os materiais utilizados e procedimentos de instalação cumprem o estabelecido nos códigos de construção e normas de segurança locais.
- As informações fornecidas neste manual não isentam o utilizador, de forma alguma, da responsabilidade de respeitar todos os códigos ou normas de segurança aplicáveis.
- O fabricante não se responsabiliza por danos físicos, danos materiais ou danos no equipamento provocados pela instalação deste dispositivo.
- Este documento fornece instruções para o carregador DC Wallbox, pelo que não deve ser utilizado para qualquer outro produto. Antes da instalação ou utilização deste produto, deve rever este manual cuidadosamente e consultar um empreiteiro ou electricista credenciado, ou um especialista com formação em instalações elétricas, a fim de garantir a conformidade com os códigos de construção e normas de segurança locais.

Cablagem do Sistema

Ligação à Terra

Ligue sempre o neutro do sistema à terra. Se o sistema elétrico não tiver ligação à terra, terá de ser instalada uma estaca de ligação à terra nas proximidades. A estaca de ligação à terra terá de ser ligada ao terminal principal de terra no painel do disjuntor geral, e o neutro terá de ser ligado à terra nesse ponto.

A área transversal do condutor de ligação à terra para fins de proteção da rede elétrica (PE) deverá ser feita de cobre e o seu tamanho não deverá ser inferior a 10 mm².

Ligação trifásica de 380V - 415V



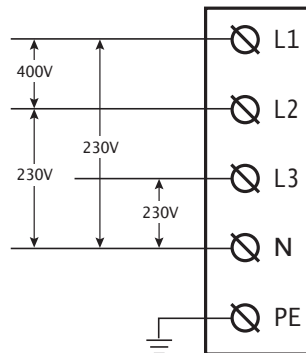
ALERTA!

Este circuito de alimentação pertence a uma rede elétrica de ligação y, sendo possível ligar o carregador DC Wallbox aos terminais L1, L2, L3 e neutro. A ligação do neutro à terra tem de ser estabelecida apenas num ponto, sendo geralmente feita no painel de disjuntores.



ALERTA!

Antes de ligar a alimentação de energia elétrica, é necessário fazer uma ligação à terra.



Ligação trifásica de 200V - 230V



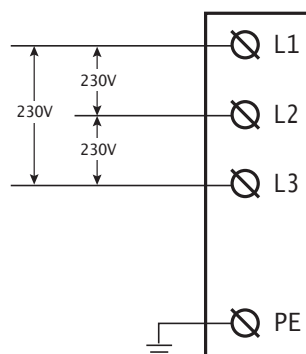
ALERTA!

O diagrama seguinte ilustra a ligação do carregador DC Wallbox ao terminais L1, L2 e L3 num circuito de alimentação a partir da rede elétrica com uma ligação delta. A ligação do neutro à terra tem de ser estabelecida apenas num ponto, sendo geralmente feita no painel de disjuntores.



ALERTA!

Antes de ligar a alimentação de energia elétrica, é necessário fazer uma ligação à terra.

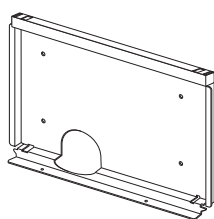


Antes da Instalação

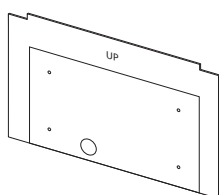
Requisitos de Segurança

- Antes de instalar o carregador Wallbox DC, certifique-se de consultar os procedimentos operacionais normalizados (PON) e analisar os códigos de construção e de instalação de sistemas elétricos locais.
- A instalação do carregador DC Wallbox tem de ser feita por um técnico qualificado de acordo com o manual de instruções e com os regulamentos de segurança locais.
- Quando fizer a ligação ao cabo principal de distribuição da rede elétrica, utilize proteção adequada.
- O interruptor para desligar cada condutor sem ligação à terra da entrada de CA deverá ser fornecido por terceiros, de acordo com a norma IEC61851-1.
- No caso das entradas trifásicas de quatro fios e 380 VAC - 415 VAC, deve ser instalado, no painel a montante, um disjuntor de tipo C ou D com RCD de 4 polos tipo A para 30 mA, e a corrente nominal do disjuntor deve ser de 50A.
- No caso das entradas trifásicas de três fios e 200 VAC - 230 VAC, deve ser instalado, no painel a montante, um disjuntor de tipo C ou D com RCD de 3 polos tipo A para 30 mA, e a corrente nominal do disjuntor deve ser de 100A.

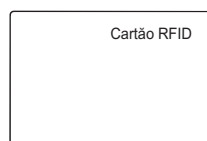
Conjunto de Acessórios



Suporte de montagem x 1



Modelo de montagem x 1



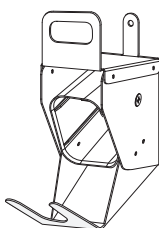
Cartões RFID x 2



Chaves x 2



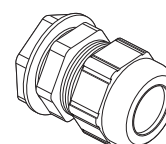
Manual de instruções x 1



Suporte de ficha CCS2 x 1



Suporte de ficha CHAdeMO x 1 (apenas modelo de saída dupla)



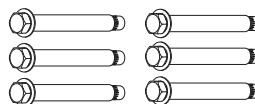
Prensa-cabo x 1



Saco de parafusos para o suporte x 2 (PARAFUSO M6*1*8 PAN TORX SUS NL)



Saco do parafuso para ligação à terra x 1 (PARAFUSO M6*1*12 HEXH C S+P S20C ZN-NI)



Saco de parafusos de expansão x 6 (+ 2 para o modelo de saída dupla) (ANCHOR SUS 16*50.8 PICKLING)

Ferramentas Recomendadas

Para instalar o carregador DC Wallbox, recomenda-se a utilização das seguintes ferramentas:

- (1 x) Voltímetro ou multímetro digital
- (1 x) Nível de bolha de ar
- (1 x) Martelo
- (1 x) Martelo pneumático
- (1 x) Alicates de cortar/descarnar fios
- (1 x) Torx® "Tamper-Resistant" T15 e uma chave de fendas T25
- (1 x) Chave de fendas de cabeça chata e chave de caixa n.º 8
- (1 x) Chave de fendas de cabeça chata n.º 6
- (1 x) Chave de fendas de cabeça chata n.º 2
- (1 x) Chave de fendas de cabeça chata n.º 3
- (1 x) Boquilha M50, tubo e chave para os fios do sistema de alimentação principal
- (1 x) Boquilha M25, tubo e chave para Ethernet
- (4 x) Terminal de olhal RNB14-6 para fios de L1/L2/L3/N (fio de cobre de 14 mm²) em modelos com entrada trifásica de 380 V - 415 V
- (3 x) Terminal de olhal RNB38-6 para fios de L1/L2/L3/N (fio de cobre de 38 mm²) em modelos com entrada trifásica de 200 V - 230 V
- (1 x) Terminal de olhal RNB14-6 para fio PE/de ligação à terra (fio de cobre de 14 mm²)

Instruções de Segurança Importantes.

Guarde estas instruções.

- A instalação do carregador DC Wallbox deve ser feita por um empreiteiro e/ou electricista credenciado, em conformidade com todos os códigos e normas de instalações elétricas estaduais, locais e nacionais que forem aplicáveis.
- Antes de proceder à instalação do carregador DC Wallbox, reveja este manual cuidadosamente e consulte um empreiteiro credenciado, um electricista credenciado e um especialista com formação em instalações elétricas, a fim de garantir a conformidade com as práticas de construção locais, condições climáticas, normas de segurança e códigos estaduais e locais.



ALERTA!

Perigo de choque elétrico ou lesões provocadas pela eletricidade. Antes de trabalhar na parte interna do equipamento ou remover qualquer componente, desligue a alimentação no painel ou quadro elétrico. Não remova os dispositivos de proteção do circuito ou qualquer outro componente antes de desligar a alimentação.



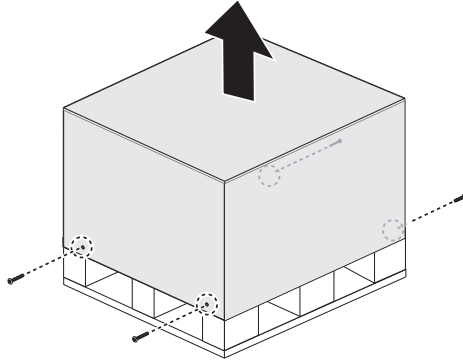
PERIGO!

PARA EVITAR A OCORRÊNCIA DE DANOS NO CARREGADOR OU DANOS PESSOAIS, CERTIFIQUE-SE DE QUE O LOCAL DE INSTALAÇÃO TEM CAPACIDADE PARA SUPORTAR O PESO DO CARREGADOR DC WALLBOX.

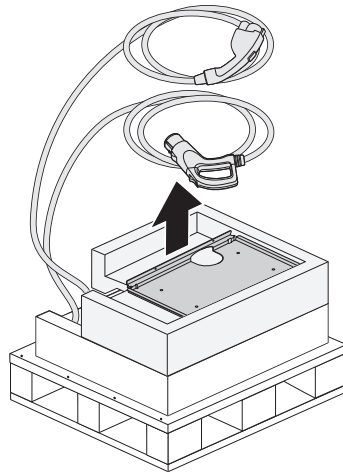
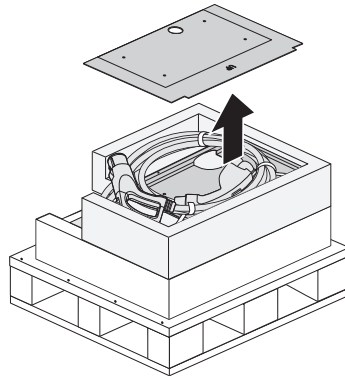
Instalação do Carregador DC Wallbox

Preparação

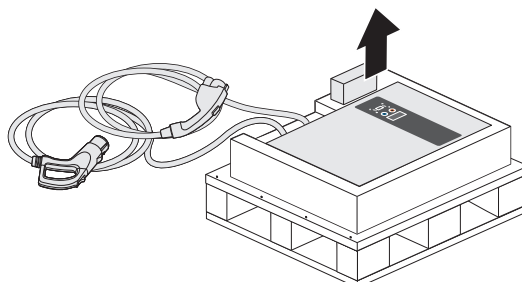
1. Solte os parafusos da caixa (dois lados) com uma chave de caixa n.º 8.
2. Abra a tampa superior da caixa de contraplacado.



3. Tire o modelo de montagem e corte as amarras dos cabos para retirar a ficha de carregamento.



4. Remova a espuma da parte superior, abra o saco de plástico e retire a unidade.



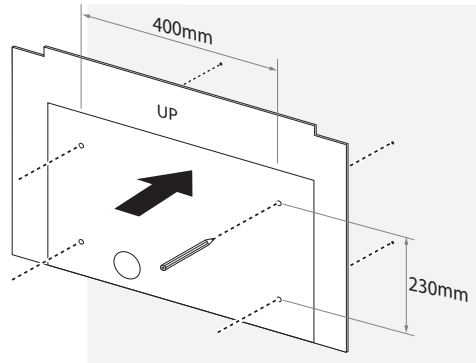


Nota:

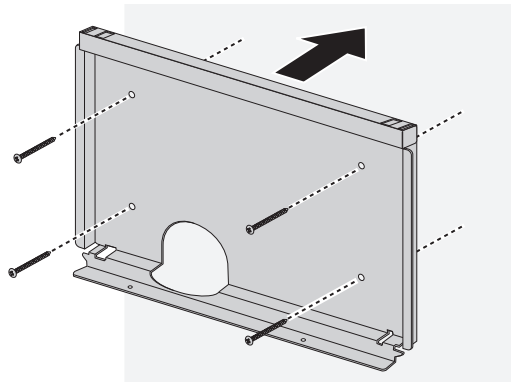
Com cuidado, coloque o aparelho e o carregador no chão ou sobre uma superfície plana.

Wall Mounting

1. Utilize o modelo e a ferramenta niveladora para marcar a posição de montagem.



2. Monte o suporte na parede.



Nota:

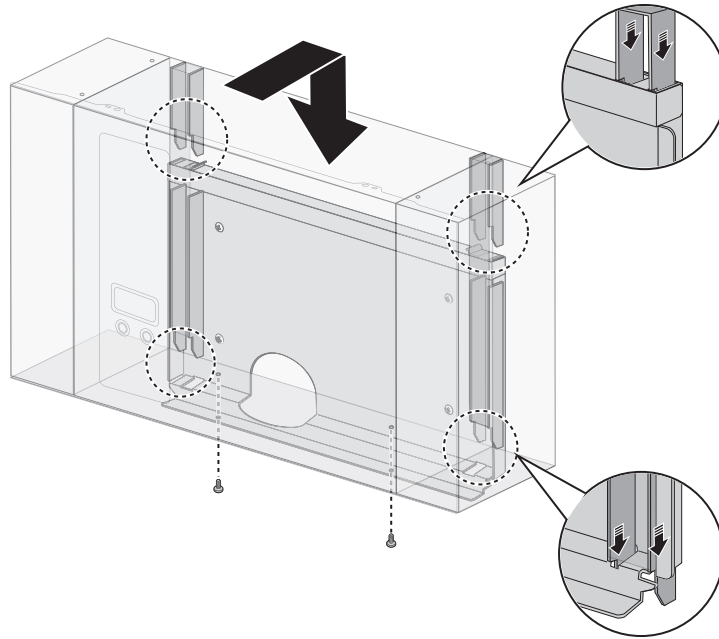
- A unidade tem de ser montada numa parede sólida (preferencialmente, de betão ou metal).
- Utilize os parafusos de expansão incluídos no conjunto de acessórios ou escolha parafusos de montagem adequados para os diversos tipos de parede. Em certas condições, poderá ser necessário utilizar um berbequim.
- Respeite os requisitos de acessibilidade aplicáveis no que se refere à posição de montagem. A unidade terá de ser montada de forma a que o armazenamento fique a uma altura de **entre 60 cm (24 polegadas) e 120 cm (4 pés)** da rede, de acordo com o disposto no Artigo 625 do NEC.



ALERTA!

A fim de garantir a existência de espaço adequado para fins de ventilação e manutenção, deixe uma margem de 45 cm (18 polegadas), no mínimo, de ambos os lados do carregador.

3. Coloque a unidade no suporte. Alinhe a estrutura traseira da unidade com o orifício de encaixe correspondente do suporte. Lentamente, faça deslizar a unidade, até que assente com firmeza no suporte. Aperte os dois parafusos da parte inferior.



Nota:

Os parafusos de fixação da parte inferior encontram-se no conjunto de acessórios.

Fazer a Ligação

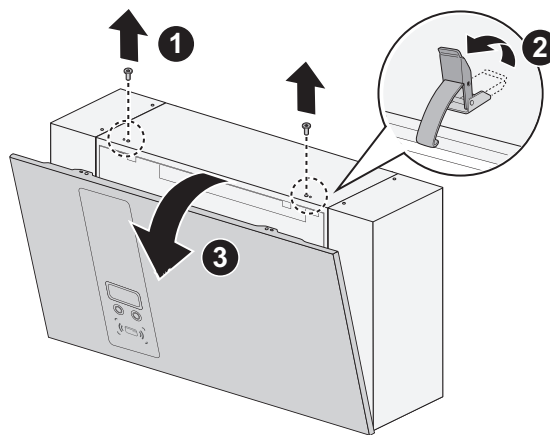


ALERTA!

Para fixar ou remover os parafusos, utilize exclusivamente uma chave de fendas **Torx® Tamper-Resistant T15**. A utilização de qualquer outra ferramenta poderá danificar os parafusos e o painel.

Cablagem Elétrica

1. Abra a tampa dianteira para aceder à cablagem.
 - a. Solte os dois parafusos da parte superior.
 - b. Solte as travancas, a fim de abrir a tampa frontal.
 - c. Pouse a tampa frontal com cuidado.



2. O redirecionamento dos fios de alimentação pode ser feito através da parte inferior ou traseira da estrutura exterior.

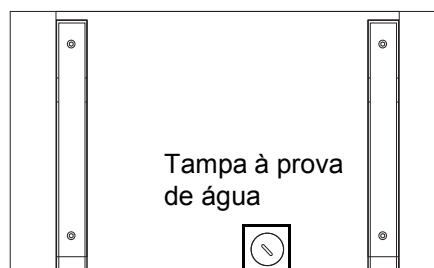
Selecione o destino de orientação da cablagem.

Cablagem introduzida pela parte inferior:

- a. Introduza os fios pela parte inferior. Antes de fixar a cablagem, certifique-se de que a extensão da mesma é suficiente para chegar aos elementos de ligação.
- b. Continue a apertar os fios. Consulte o passo seguinte.

Cablagem introduzida pela parte posterior:

- a. Retire a tampa à prova de água da parte de trás do compartimento e introduza os fios no ponto de acesso de cabos localizado na parte inferior do compartimento.



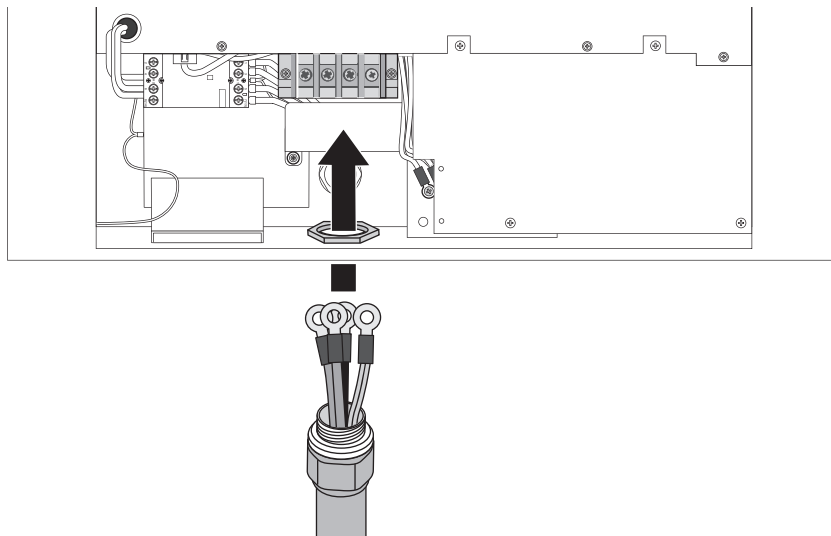
- b. Prossiga com as etapas seguintes.



PERIGO!

A INTRODUÇÃO DA CABLAGEM PELA PARTE POSTERIOR PODERÁ RESULTAR NUM RISCO DE INFILTRAÇÃO DE ÁGUA. NÃO ESCOLHA ESTE TIPO DE LIGAÇÃO PARA ESPAÇOS EXTERIORES.

3. Aperte o prensa-cabos para fixar os fios.



Nota:

A fim de garantir a proteção contra intempéries, certifique-se de que utiliza prensa-cabos **certificados IP55 (ou superiores)**.

4. Retire a tampa do módulo de terminais e ligue a cablagem aos terminais corretos. Para saber como fazer as ligações de modelos específicos, consulte as informações seguintes.

Os requisitos de cablagem dependem do tipo de modelo e diferem entre os modelos monofásicos e trifásicos.

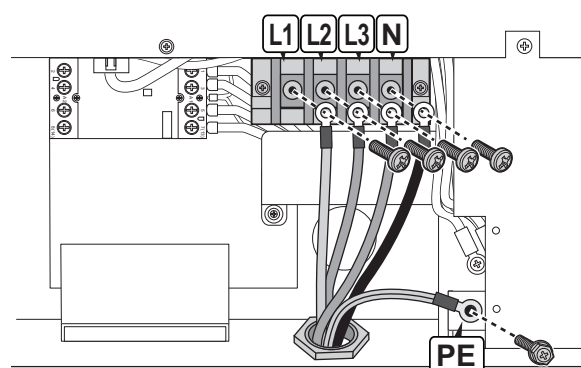


ALERTA!

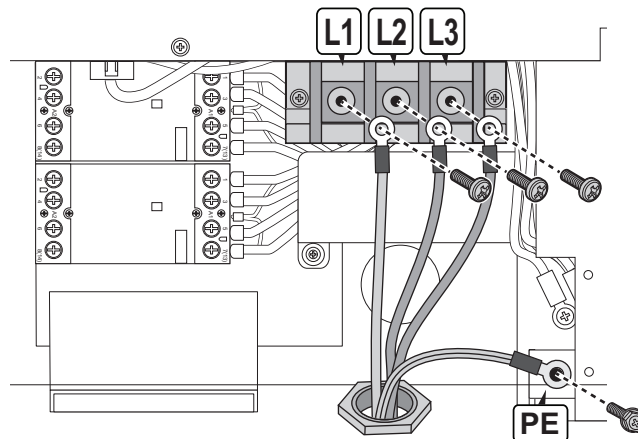
A codificação dos cabos por cores pode ser definida de forma diferente, dependendo da região.

Ligação trifásica

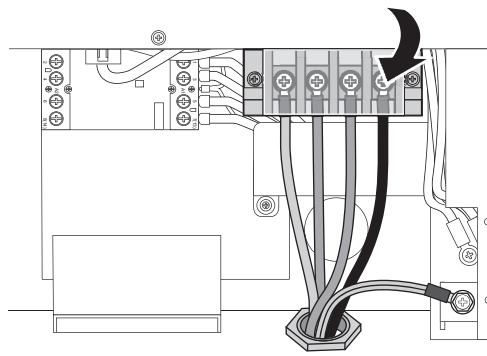
Ligação de 380 VAC - 415 VAC



- Utilizar boquilha e tubo de tamanho M50, conforme prescrito pela norma EN 61386-24.
- Ligue os fios elétricos dos 4 terminais de olhal RNB14-6, com terminais de cabo, ao terminal de entrada assinalado com "L1", "L2", "L3" e "N", utilizando os 4 parafusos M6.0 com uma força de torque de 33 kg-cm.
- Ligue o fio de terra do terminal RNB14-6 ao terminal de terra assinalado com o símbolo de terra (\oplus), utilizando 1 parafuso M 6.0 apertado com uma força de torque de 20 kg-cm.

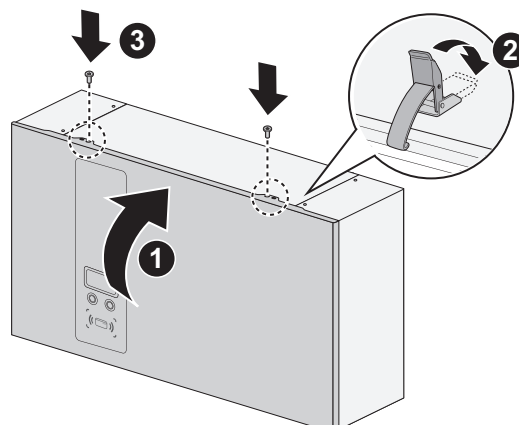
Ligação de 200 VAC - 230 VAC

- Utilizar boquilha e tubo de tamanho M50, conforme prescrito pela norma EN 61386-24.
 - Ligue os fios elétricos dos 3 terminais de olhal RNB14-6, com terminais de cabo, ao terminal de entrada assinalado com "L1", "L2" e "L3", utilizando os 3 parafusos M6.0 com uma força de torque de 33 kg-cm.
 - Ligue o fio de terra do terminal RNB14-6 ao terminal de terra assinalado com o símbolo de terra (\oplus), utilizando 1 parafuso M 6.0 apertado com uma força de torque de 20 kg-cm.
5. Fixe cada fio com o parafuso adequado. Certifique-se de que aplica o torque adequado. Consulte as informações listadas.
 6. Volte a colocar a tampa no módulo de terminais.

**PERIGO!**

ANTES DE PROCEDER À INSTALAÇÃO, CERTIFIQUE-SE DE QUE O TUBO ELÉTRICO ESTÁ ALINHADO COM A ABERTURA DESTINADA AO FIO DE ENTRADA DO CARREGADOR DC WALLBOX. SE NÃO O FIZER, PODERÁ DANIFICAR A CABLAGEM OU O CARREGADOR.

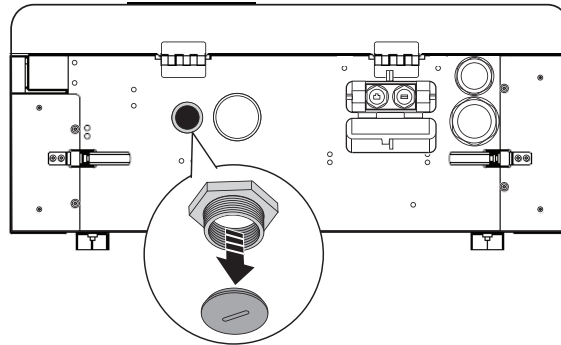
7. Volte a colocar a tampa e aperte os parafusos com firmeza.



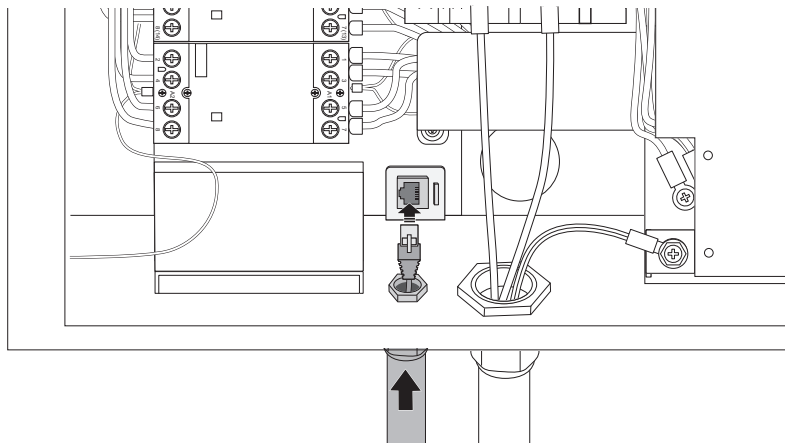
Ligação à Ethernet

Recomenda-se que a ligação do cabo de Ethernet seja feita através dos pontos de acesso que se encontram na parte inferior. É necessário abrir a tampa frontal.

1. Retire a tampa à prova de água da porta Ethernet.



2. Introduza o cabo através da porta e ligue o cabo Ethernet ao terminal.
3. Aperte o tubo ou prensa-cabos, de modo a fixar o cabo.

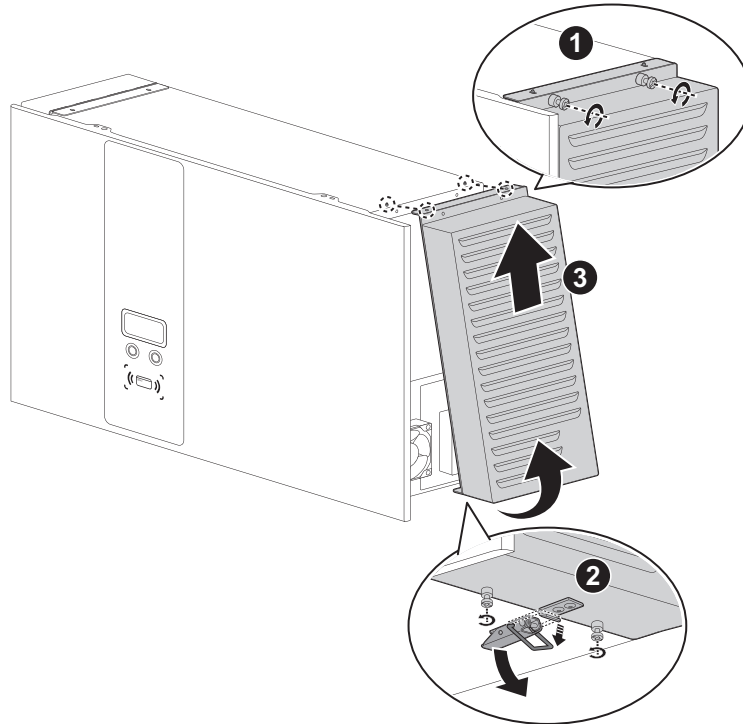


Nota:

A fim de garantir a proteção contra intempéries, certifique-se de que utiliza prensa-cabos **certificados IP55 (ou superiores)**.

Ligação 3G

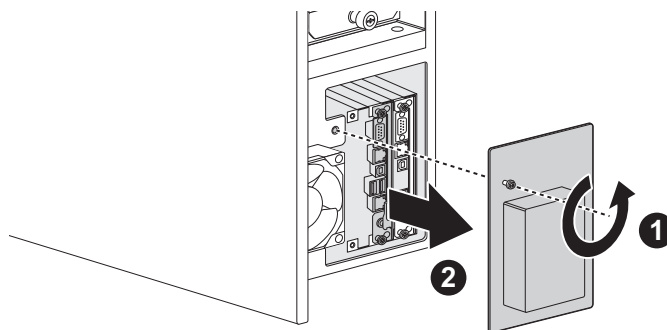
1. Remova a tampa do filtro da direita.
 - a. Solte os parafusos da parte superior.
 - b. Solte os parafusos da parte inferior e puxe a tranca.
 - c. Abra e retire a tampa do filtro.



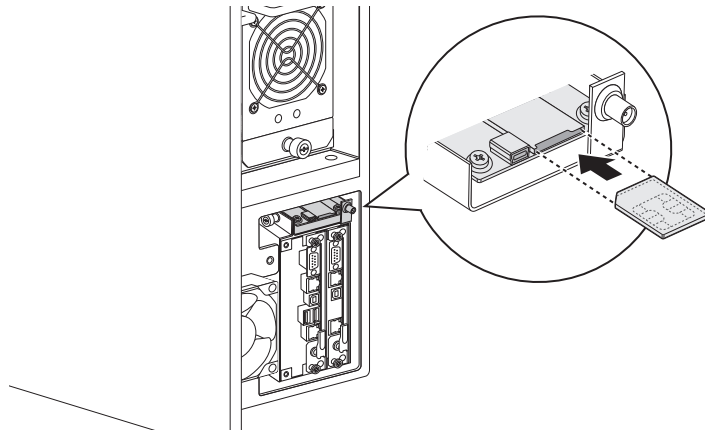
ALERTA!

Para fixar ou remover os parafusos, utilize exclusivamente uma chave de fendas **Torx® Tamper-Resistant T25**. A utilização de qualquer outra ferramenta poderá danificar os parafusos e o painel.

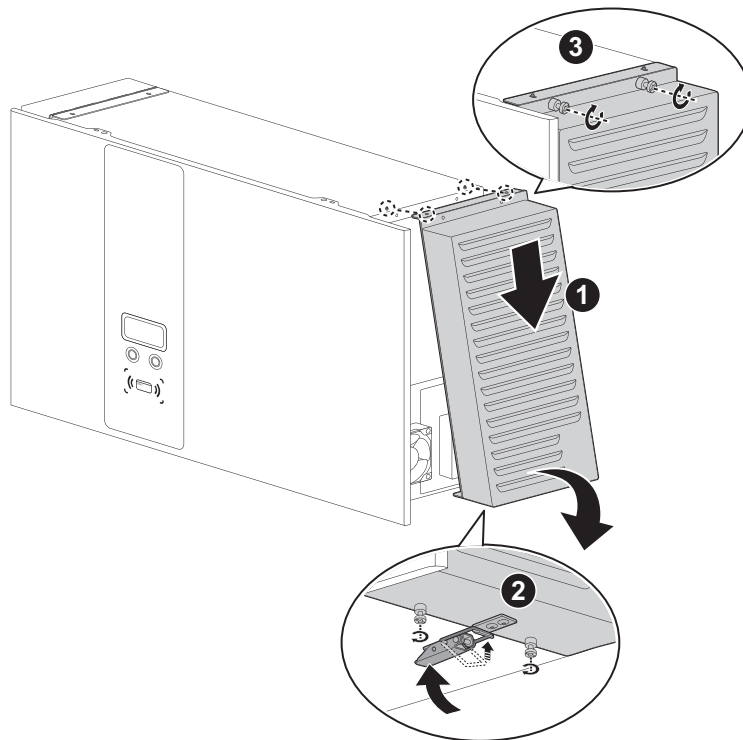
2. Remova a tampa de proteção do lado direito.



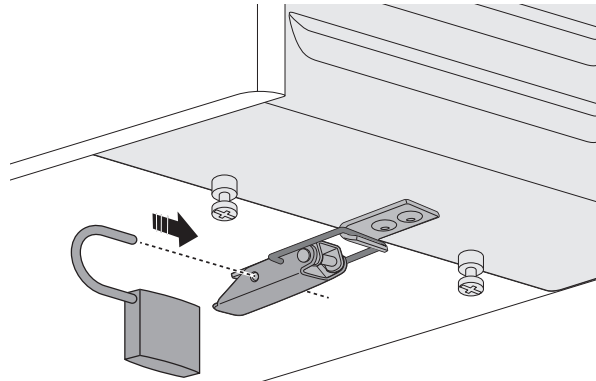
3. Introduza o cartão micro SIM na placa 3G. Volte a fixar a tampa de proteção.



4. Volte a colocar a tampa do filtro da direita.
 - a. Pendure a tampa do filtro na unidade.
 - b. Puxe o pino para baixo e coloque a tampa traseira do filtro.
 - c. Aperte os parafusos que se encontram na parte inferior.
 - d. Aperte os parafusos que se encontram na parte superior.

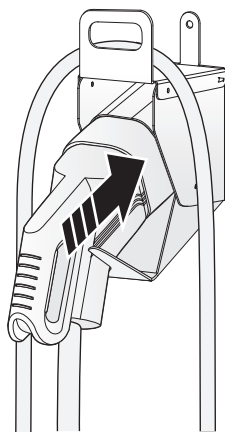


- e. Feche o trinco na parte inferior. O trinco tem um orifício de 3,3mm de diâmetro para colocar nele um cadeado a fim evitar a sua adulteração.

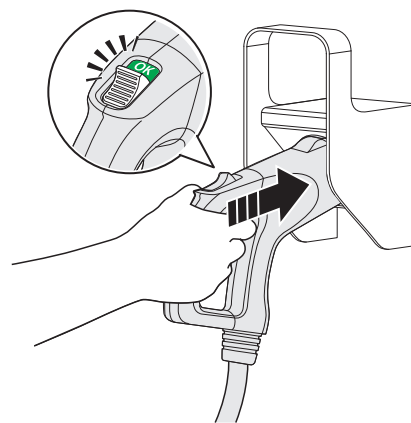


Preparação da Ficha de Carregamento

1. Monte o suporte de parede da ficha de carregamento.
2. Acondicione o cabo e a ficha de carregamento no suporte de forma adequada.



IEC DC (CCS2)

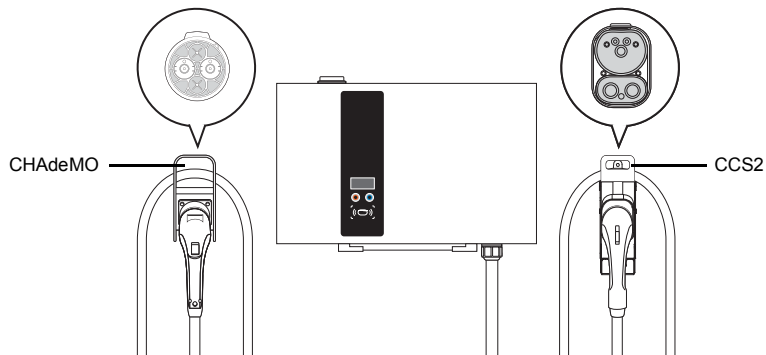


CHAdeMO - apenas para o modelo de saída dupla

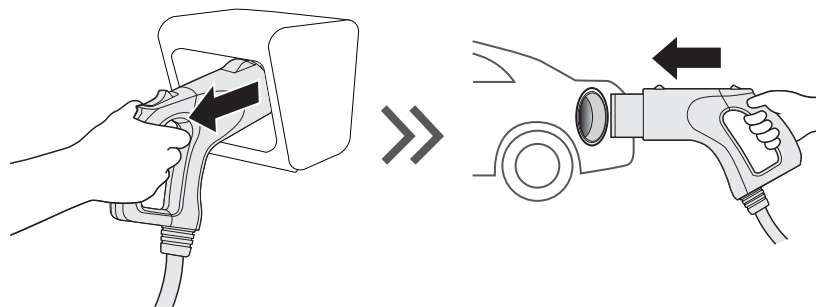
3. Quando todas as etapas estiverem concluídas, ligue a alimentação e rode a chave, a fim de inicializar o carregador DC Wallbox.

Funcionamento

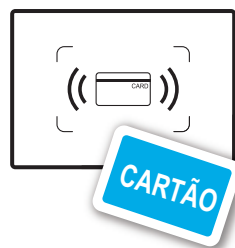
1. Escolha o idioma preferido.
2. Escolha uma ficha compatível (CCS ou CHAdeMO).



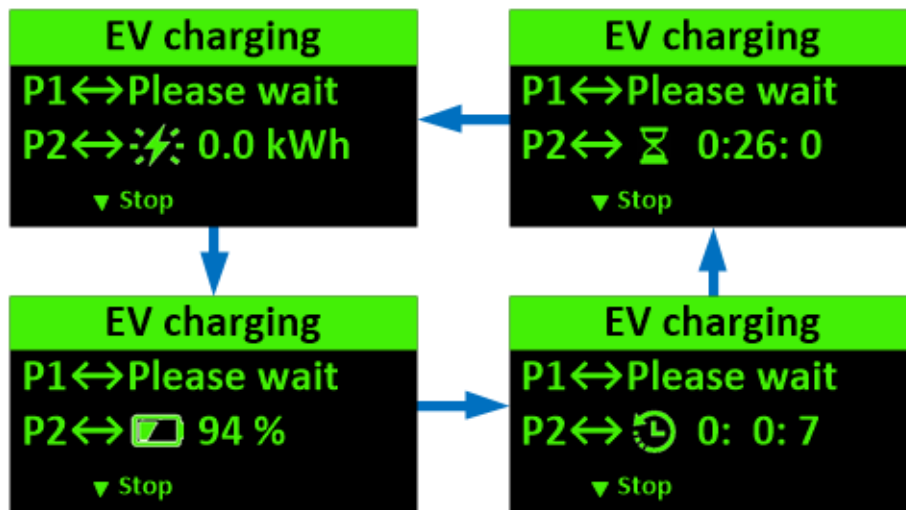
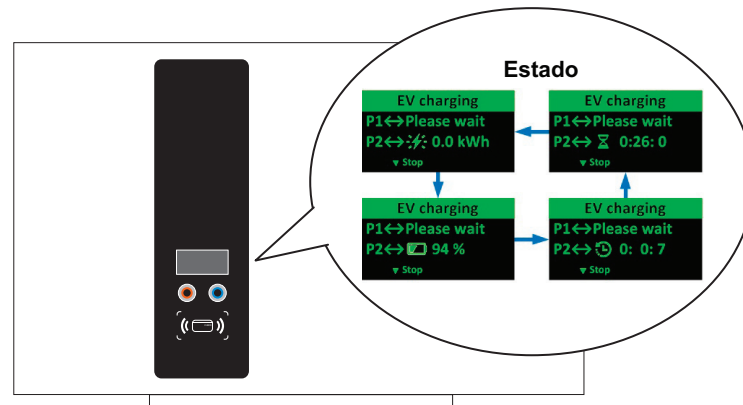
3. Ligue a ficha ao EV.



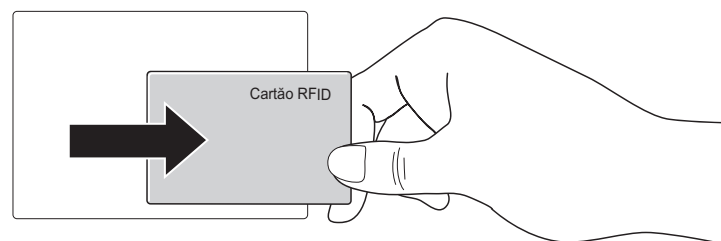
4. Para iniciar o carregamento, faça um gesto de percorrer sobre o cartão RFID autorizado. A RFID autorizada pode ser utilizada diretamente sem qualquer ativação ou definição.



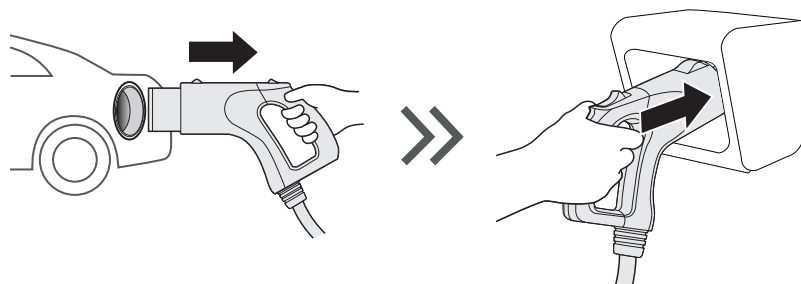
5. Assim que o carregamento começar, as informações de estado serão apresentadas no ecrã. As ilustrações seguintes demonstram os procedimentos desde o início do carregamento até ao carregamento quase completo.



6. Para interromper o carregamento, faça um gesto de percorrer sobre o cartão RFID autorizado.



7. Volte a colocar a ficha no suporte.



Configuração do Sistema

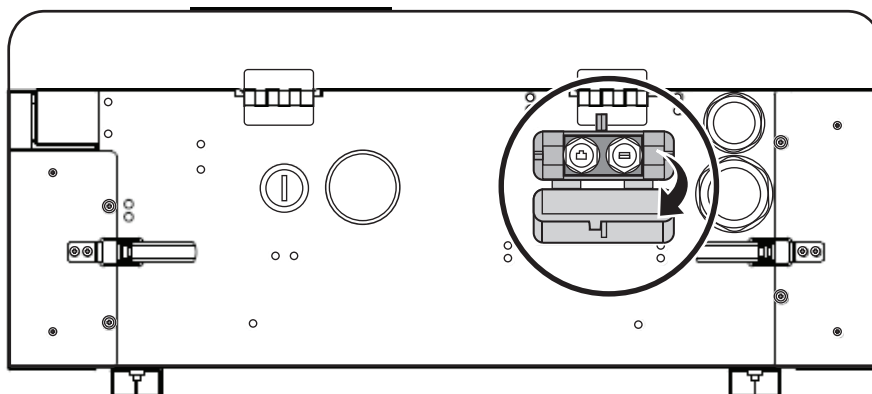


ALERTA!

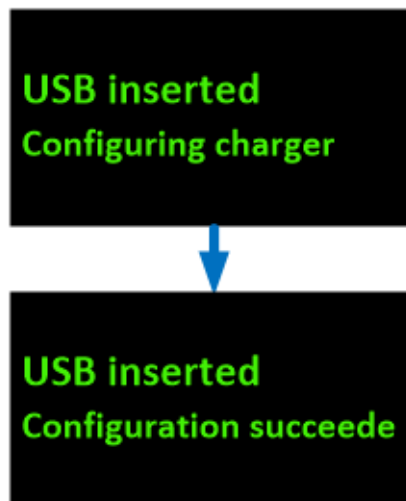
Configure o carregador apenas quando não estiver em modo de carregamento, a fim de evitar interromper uma sessão de carregamento em curso.

Passos

1. Para iniciar sessão na ferramenta de configuração online, contacte o fornecedor do serviço.
2. Assim que a configuração estiver concluída, copie o ficheiro de parâmetro (DeltaDCWallbox-Config) para a raiz de uma pen USB (o formato da unidade deve ser FAT/FAT32, < 32 GB).
3. Introduza a pen USB na porta USB que se encontra na parte inferior (etiquetada como USB). A configuração será carregada no carregador DC Wallbox.



4. Remova a pen USB que assim que a configuração estiver concluída.



5. Feche a tampa de proteção. O trinco tem um orifício para colocar nele um cadeado a fim evitar a sua adulteração.

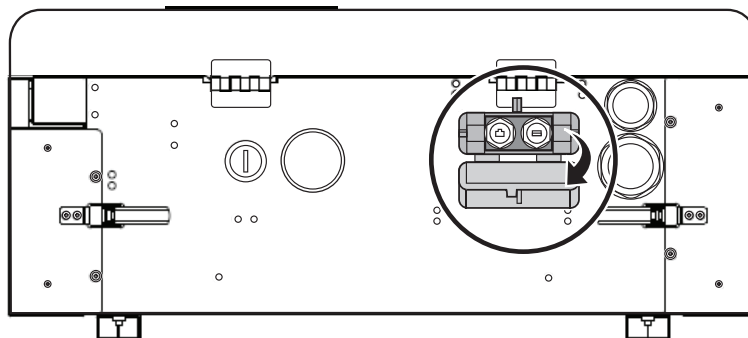
Configuração 3G

Para modelos equipados com o modem 3G, introduza um cartão SIM 3G (WCDMA) válido, conforme detalhado nos passos anteriores (página 14), a fim de iniciar a ligação 3G. Para ativar previamente o serviço de dados no cartão SIM, consulte o operador local. Antes de introduzir o cartão no modem, desative a verificação de PIN no cartão SIM. Solicite as informações do APN ao operador e certifique-se de que o APN se encontra devidamente configurado, através da ferramenta de configuração.

Atualização de Firmware

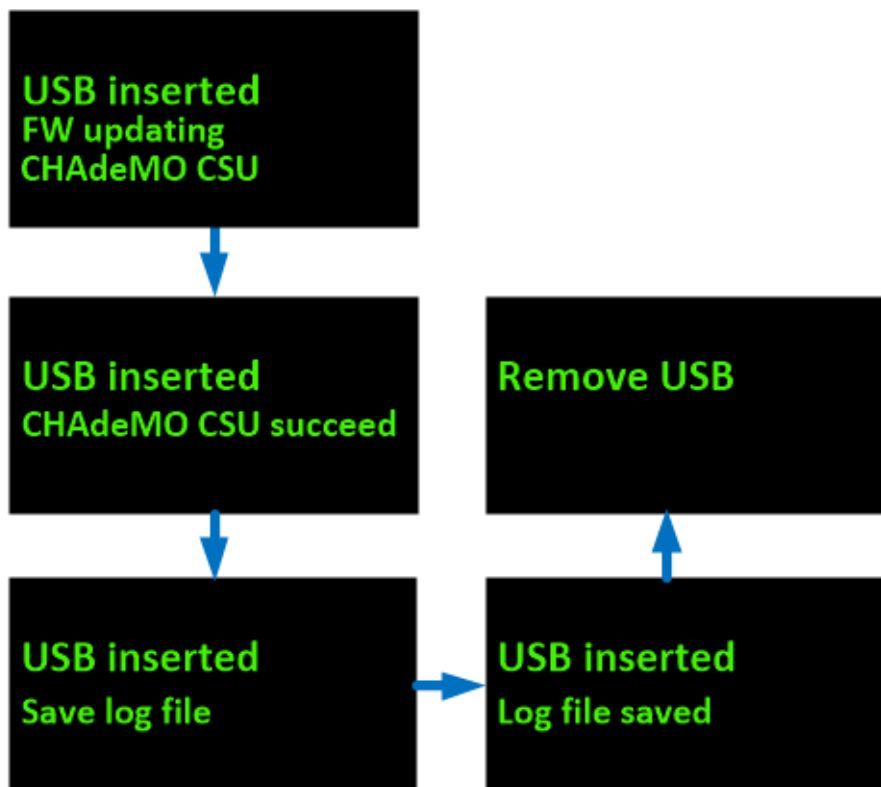
As atualizações de firmware podem ser feitas através da porta USB que se encontra na parte inferior do compartimento.

1. Obtenha uma pen USB. O formato da unidade deve ser FAT/FAT32, < 32 GB.
2. Introduza a pen USB na porta USB que se encontra na parte inferior da unidade (etiquetada como USB).



O firmware atualizado é carregado no carregador DC Wallbox.

O estado é apresentado no painel.



3. Quando o sistema concluir o procedimento de atualização, irá reiniciar-se automaticamente.
4. Feche a tampa de proteção. O trinco tem um orifício para colocar nele um cadeado a fim evitar a sua adulteração.

Manutenção

Requisitos Anuais

1. Substitua o filtro de ventilação.
2. Faça uma inspeção visual ao cabo de carregamento e certifique-se de que o mesmo não apresenta qualquer dano ou deformação visualmente identificável.
3. Faça uma inspeção visual à pistola de carregamento e certifique-se de que a mesma não apresenta qualquer dano ou deformação visualmente identificável.



ALERTA!

Para evitar o perigo de choque elétrico ou lesão, antes de trabalhar no equipamento ou remover qualquer componente, desligue a alimentação no painel ou centro de carga. Não remova os dispositivos de proteção do circuito ou qualquer outro componente antes de desligar a alimentação.

Antes de realizar qualquer trabalho de manutenção, desligue a alimentação do carregador DC Wallbox, a fim de garantir que o mesmo se encontra isolado da fonte de alimentação de AC. O facto de não se respeitar este procedimento poderá resultar em danos pessoais ou danos no sistema elétrico e na unidade de carregamento.



Nota:

- Antes de desligar o disjuntor principal para cortar o abastecimento de energia, anote o código de erro apresentado no ecrã.
- Mesmo quando o interruptor de chave se encontra desligado, a parte do circuito antes do terminal principal continua a ser perigosa. Nesse momento, limite-se a realizar uma inspeção visual.
- A manutenção do carregador DC Wallbox só deverá ser feita por um técnico qualificado.
- Depois de abrir a porta da frente, desligue o disjuntor principal e o disjuntor auxiliar, antes de proceder a qualquer trabalho de manutenção.

Garantia

Requisitos gerais de garantia

A Delta garante que os produtos estarão isentos de defeitos em material e processo de fabrico durante um período de dois anos para o EVSE a partir do Número de Série gravado no produto pelo comprador original da Delta Company. Esta garantia aplica-se apenas ao comprador original e não é transmissível a terceiros.

Eliminação

Após o correto desmantelamento do dispositivo, elimine-o em conformidade com os regulamentos do departamento de serviços em matéria de eliminação de resíduos. Os dispositivos elétricos e eletrónicos, incluindo os acessórios, devem ser eliminados separadamente dos resíduos gerais.



Recicle qualquer material de embalagem que seja constituído por material reciclável, como papel, cartão, madeira, etc., e coloque o restante material de embalagem não reciclável no caixote do lixo. Pode dar um importante contributo para a proteção do ambiente ao reutilizar ou reciclar o material.

Código de Sistema

Código de Alarme	Descrição
004001	A tensão de entrada do sistema é superior aos limites de funcionamento recomendados (> 305 volts)
004002	A tensão de entrada (L2 ou L3) é inferior aos limites de funcionamento recomendados (> 170 volts)
004003	A tensão de saída do sistema é superior à tensão máxima da bateria de EV
004004	A exigência de saída de corrente do EV é mais elevada do que a capacidade de EVSE atual
004005	A temperatura da entrada de ar ou do contactor de entrada é superior aos limites de funcionamento recomendados (> 60 °C)
004006	A temperatura da combinação CCC da ficha de carregamento é superior aos limites de funcionamento recomendados <ul style="list-style-type: none"> ● REMA => (> 85 °C) ● Phoenix => (> 75 °C)
004007	O filtro de ar precisa de ser substituído
004008	O funcionamento da ventoinha do sistema encontra-se atenuado, pelo que a ventoinha precisa de ser substituída
004009	O autoteste do controlador de sistema indica a ocorrência de uma falha
00400A	Botão de emergência premido
00400B	Falha no utilizador autorizado pelo back-end
00400C	Falha no utilizador autorizado pelo próprio EVSE
00400D	Avaria no sensor de temperatura da entrada de ar
00400E	Avaria no sensor de temperatura ou contactor de entrada
00400F	Acionador SPD
004010	Avaria no fusível da saída do lado do CCS
004011	Avaria no fusível da saída do lado do CHAdeMO
004012	Avaria no sensor de temperatura da combinação CCC da ficha de carregamento
004013	A temperatura da entrada de ar ou do contactor de entrada é inferior aos limites de funcionamento recomendados (> -40 °C)
004014	Carregamento interrompido pelo utilizador
004017	Se o utilizador não ligar a ficha no espaço de 3 minutos após ter sido autorizado, o limite de tempo do sistema será excedido
004018	O tempo de carregamento é ótimo (Máx: 2 h)
004019	A capacidade de armazenamento de dados do sistema não é suficiente
004020	Erro desconhecido
004021	O carregamento foi interrompido remotamente pelo escritório de back-end
004022	A tensão de entrada encontra-se em baixo (< 20 V, < 100 ms)
004023	A tensão da entrada L1 do sistema é inferior aos limites de funcionamento recomendados (< 170 volts)

Código de Alarme	Descrição
005001	Avaria nas comunicações com o CHAdeMO EV
005005	Avaria nas comunicações com o CCS EV
005006	Avaria no retificador de potência (SMR)
005007	Avaria nas comunicações com o controlador CCS
005008	Avaria nas comunicações com o módulo de alimentação auxiliar
005009	Avaria nas comunicações com o módulo de controlo de relé
00500C	Avaria nas comunicações com o módulo de apresentação
00500D	Avaria nas comunicações com o módulo RFID
00500E	O módulo 3G não está preparado (o próprio módulo ou o SIM)
00500F	O módulo Wi-Fi não está preparado
006001	A ligação 3G encontra-se desligada do APN
006002	A ligação 3G encontra-se desligada da Internet
006003	A ligação 3G encontra-se desligada do escritório de back-end
006008	A ligação Ethernet encontra-se desligada da Internet
006009	A ligação Ethernet encontra-se desligada do escritório de back-end
007001	Avaria num componente do retificador de potência
007002	A tensão de entrada do retificador de potência é superior aos limites de funcionamento recomendados
007003	A tensão de entrada do retificador de potência é inferior aos limites de funcionamento recomendados
007004	A tensão de saída é superior aos limites de funcionamento recomendados para o retificador de potência
007006	A temperatura da entrada de ar do retificador de potência é superior aos limites de funcionamento recomendados (> 60 °C)
007008	A temperatura do PFC é superior aos limites de funcionamento recomendados
007009	A temperatura do PFC é inferior aos limites de funcionamento recomendados
00700A	A temperatura do DCDC é superior aos limites de funcionamento recomendados
00700B	A temperatura do DCDC é inferior aos limites de funcionamento recomendados
00700C	A ventoinha no interior do retificador de potência encontra-se avariada
00700D	Avaria na anilha do diodo da saída
00700E	Falha no teste de isolamento
008003	O valor de 5 volts para o controlador de sistema é superior aos limites de funcionamento recomendados
008004	O valor de 5 volts para outros módulos do sistema é superior aos limites de funcionamento recomendados
008005	O valor de 5 volts para a rede CAN é superior aos limites de funcionamento recomendados
008006	O valor de 12 volts para outros módulos do sistema é superior aos limites de funcionamento recomendados

Código de Alarme	Descrição
008007	O valor de 12 volts para a comunicação com o EV é superior aos limites de funcionamento recomendados
008008	O valor de 24 volts para o controlo de relé é superior aos limites de funcionamento recomendados
008009	O valor de 5 volts para o controlador de sistema é inferior aos limites de funcionamento recomendados
00800A	O valor de 5 volts para outros módulos do sistema é inferior aos limites de funcionamento recomendados
00800B	O valor de 5 volts para a rede CAN é inferior aos limites de funcionamento recomendados
00800C	O valor de 12 volts para outros módulos do sistema é inferior aos limites de funcionamento recomendados
00800D	O valor de 12 volts para a comunicação com o EV é inferior aos limites de funcionamento recomendados
00800E	O valor de 24 volts para o controlo de relé é inferior aos limites de funcionamento recomendados
008010	A corrente de saída de 5 volts para o controlador de sistema é superior aos limites de funcionamento recomendados
008011	A corrente de saída de 5 volts para outros módulos do sistema é superior aos limites de funcionamento recomendados
008012	A corrente de saída de 5 volts para a rede CAN é superior aos limites de funcionamento recomendados
008013	A corrente de saída de 12 volts para outros módulos do sistema é superior aos limites de funcionamento recomendados
008014	A corrente de saída de 12 volts para a comunicação com o EV é superior aos limites de funcionamento recomendados
008015	A corrente de saída de 24 volts para o controlo de relé é superior aos limites de funcionamento recomendados
008016	A temperatura de 12 volts para a comunicação com o EV é superior aos limites de funcionamento recomendados
008017	A temperatura de 5 volts para outros módulos do sistema é superior aos limites de funcionamento recomendados
008018	A temperatura de 24 volts para o controlo de relé é superior aos limites de funcionamento recomendados
008019	A temperatura ambiente para o módulo de alimentação auxiliar é superior aos limites de funcionamento recomendados
009001	Acionador GFD
009003	Pré-aviso de GFD
009004	Falha no autoteste de GFD
00A001	Defeito de solda no contactor de entrada 1
00A002	Falha de unidade no contactor de entrada 1
00A003	Defeito de solda no contactor de entrada 2

Código de Alarme	Descrição
00A004	Falha de unidade no contactor de entrada 2
00A005	Defeito de solda no polo positivo do relé de saída para carregamento via CCS
00A006	Defeito de unidade no polo positivo do relé de saída para carregamento via CCS
00A007	Defeito de solda no polo positivo do relé de saída para carregamento via CHAdeMO
00A008	Defeito de unidade no polo positivo do relé de saída para carregamento via CHAdeMO
00A009	Defeito de solda no polo negativo do relé de saída para carregamento via CCS
00A00A	Defeito de unidade no polo negativo do relé de saída para carregamento via CCS
00A00B	Defeito de solda no polo negativo do relé de saída para carregamento via CHAdeMO
00A00C	Defeito de unidade no polo negativo do relé de saída para carregamento via CHAdeMO
00B001	Falha na atualização de firmware do módulo de alimentação auxiliar
00B002	Falha na atualização de firmware do módulo de controlo de relé
00B003	Falha na atualização de firmware do módulo LCM
00B004	Falha na atualização de firmware do módulo de carregamento CCS
00B005	Falha na atualização de firmware do módulo de carregamento CHAdeMO
00B006	Falha na atualização de firmware do módulo de conversão da potência
00C001	Avaria no módulo de PLC para carregamento do CCS
00C002	A proximidade do CCS encontra-se desligada
00C003	Interrupção do carregamento por CCS EV
00D001	Nenhuma autorização de carregamento proveniente do CHAdeMO EV
00D002	Indicação de mau funcionamento da bateria proveniente do CHAdeMO EV
00D003	Incompatibilidade da bateria com o CHAdeMO EV
00D006	A corrente de saída atual é diferente da corrente adequada para o elemento de destino
00D007	Indicação de mau funcionamento do OTP da bateria proveniente do CHAdeMO EV
00D008	A tensão de saída atual é diferente da tensão adequada para o elemento de destino
00D009	Alarme de mudança de posição proveniente do CHAdeMO EV
00D00A	Indicação de outra falha proveniente do CHAdeMO EV
00D00B	Avaria no fecho do dispositivo de ligação CHAdeMO

Resolução de problemas

- Qual a razão por que o ecrã da box DC Wall não liga?
 1. Verifique se o interruptor de chave está ligado.
 2. Verifique se os dois botões multifunções na parte inferior do ecrã estão ligados.
 - a. No caso de os botões não estarem ligados, verifique se o carregador está ligado à tomada elétrica.
 - b. Se os botões estiverem ligados, então o ecrã está partido. Em tal caso, deve contactar o número de serviço.

- Não me é possível ligar a 3G/4G, como devo proceder?

Verifique se existe um cartão SIM com menos pinos no carregador e se o cabo do modem está bem ligado.

- É-me possível ligar a 3G/4G, mas não me consigo ligar à back-end (Alarme 006009).
 1. Verifique a configuração para constatar se a definição do OCPP está correta.
 2. Verifique se existe algum problema na backend.

- Não é possível acionar o botão de multifunções.

Verifique se a luz do botão e do ecrã estão acesas.

 - a. Se as luzes estiverem apagadas, verifique se o carregador está ligado a uma tomada elétrica.
 - b. Se apenas estiver desligado um botão, nesse caso, o botão está inativo e deve contactar o número de serviço.

- Por que razão a box DC Wall fica oscilante ou instável após a instalação?

Verifique se o suporte de montagem está seguro com firmeza e se a parede ou estrutura de suporte tem capacidade para fixar e suportar solidamente um objeto de 80 kg. Se o suporte de montagem estiver firmemente seguro, mas a parede não for firme, deve reinstalá-lo numa parede de suporte mais firme que possa suportar o carregador EV.

- Sem ação de carregamento após passar o cartão RFID
 1. Confirme as definições de configuração. O modo de autenticação deve ser por cartão Delta Card.
 2. Utilize outro Delta Card para tentar novamente. Caso do novo cartão seja bem sucedido. Deve substituir o outro cartão RFID.

- O que devo fazer se premir o botão de emergência acidentalmente. (Código de alarme: 00400A)

Rode e puxe o botão vermelho no lado esquerdo do carregador, para que o carregador possa voltar a funcionar normalmente.

Especificações

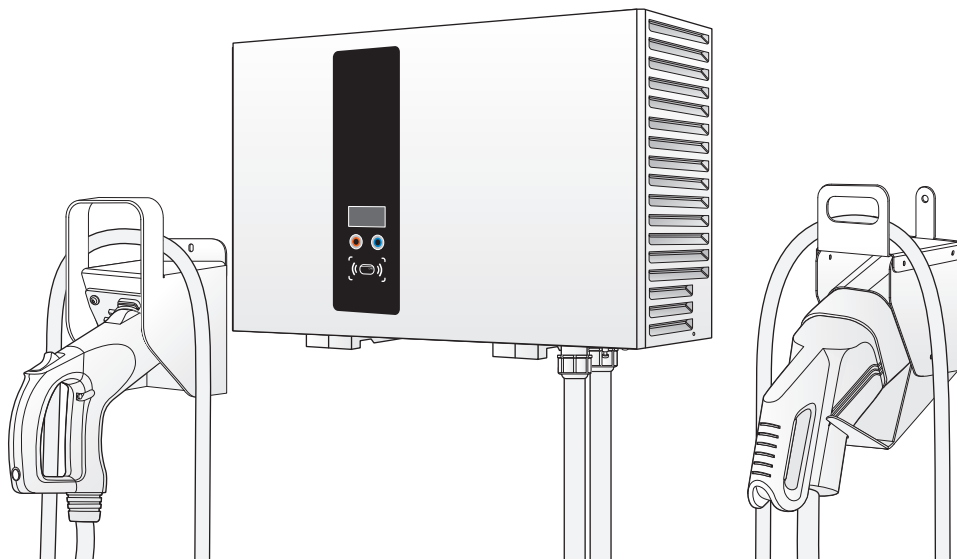
Modelo	EVDE25XXDXX	EVDE25XXEXX
Classificação de entrada	380-415 Vac; 50 / 60Hz; 50A no máximo	200-230 Vac; 50 / 60Hz; 90A no máximo
Cablagem	Trifásico/L1, L2, L3, N, PE	Trifásico/L1, L2, L3, PE
Fator de potência	> 0,98	
DHT da corrente	Em conformidade com a norma EN61000-3-12, IEEE 519	
Eficiência	94% à potência de saída nominal	
Saída de CC n.º 1	IEC CCS DC Nível 2, 50-500 VCC, 60 A máx., 25 kW máx.	
Saída de CC n.º 2	CHAdEMO, 50-500 VCC, 60 A máx., 25 kW máx.	
Proteção	Sobrecorrente, subtensão, sobretensão, proteção contra picos de tensão, curto-circuito, excesso de temperatura, falha na ligação à terra	
Ecrã	Ecrã OLED de 2,7"	
Botões de pressão	Botões multifuncionais (iluminação LED: laranja, azul)/botão de paragem de emergência (vermelho)	
Autenticação	RFID do tipo A/B ISO/IEC 14443 para fins de autenticação do utilizador	
Interface de rede	Ethernet (padrão) Rede celular (cartão micro SIM padrão)	
Temperatura de funcionamento	-22 °F a 122 °F (-30 °C a 50 °C)	
Humidade	< 95% de humidade relativa, sem condensação	
Altitude	Até 2000 m (6500 pés)	
Índice de proteção contra infiltrações (IP)	IP55	
Índice de proteção contra impactos (IK)	IK08, em conformidade com a norma IEC62262	
Refrigeração	Ar forçado	
Cabo de carregamento	Padrão: 4 m (13,13 ft). Opcional para IEC CCS DC: 7 m (22,97 ft).	
Dimensões (L x A x P)	680 x 430 x 230 mm (27 x 17 x 9 polegadas)	
Peso	43 kg (95 lb), excluindo plugue e cabo	
Certificado	IEC 61851-1, IEC 61851-23	
Compatibilidade eletromagnética:	IEC16000 classe B FCC Parte 15 classe B	





DC Wallbox Cargador

Manual de Instalación y Operación



Versión: 1.2.0

Fecha de asunto: 2020/03

ÍNDICE

Introducción	1
Características	1
Aplicaciones	2
Instrucciones de seguridad y conexión importantes	3
Selección del lugar de instalación	3
Seguridad y cumplimiento	3
Cableado de la acometida	3
Antes de la instalación	5
Requisitos de seguridad	5
Kit de accesorios	5
Herramientas recomendadas	6
Instalación del cargador DC Wallbox	7
Realizar la conexión	10
Operación	17
Configuración del sistema	19
Configuración 3G	20
Actualización del firmware	20
Mantenimiento	21
Garantía	21
Requisitos generales de garantía	21
Disposición	21
Código del sistema	22
Solución de problemas	26
Especificaciones	27

Convenciones

Convenciones generales

En este manual se utilizan las convenciones siguientes:



Nota:

Indica información adicional que es relevante para el proceso o procedimiento actual.



¡ADVERTENCIA!

La información de advertencia aparece antes del texto al que hace referencia para subrayar que el contenido puede evitar daños al equipo o equipamiento.



¡PRECAUCIÓN!

LA PRECAUCIÓN APARECE ANTES DEL TEXTO AL QUE HACE REFERENCIA. LA PRECAUCIÓN APARECE EN LETRAS MAYÚSCULAS PARA SUBRAYAR QUE EL MENSAJE CONTIENE INFORMACIÓN FUNDAMENTAL DE SALUD Y SEGURIDAD.

Convenciones tipográficas

En este documento se utilizan las convenciones tipográficas siguientes:

Cursiva

Indica un libro, nombres de directorios, nombres de archivo, nombres de ruta, y nombres de programas/procesos.

`Courier`

Indica una salida del sistema mostrada en la pantalla del ordenador, incluyendo menús, peticiones, respuestas a una entrada, y mensajes de error.

Courier en negrita

Indica comandos o información introducida de forma literal por el usuario en el ordenador. Las variables incluidas en la entrada del usuario se muestran entre corchetes angulares (< >).

Cursiva negrita

Indica las teclas del teclado pulsadas por el usuario.

Copyright

La propiedad y todos los derechos de propiedad intelectual de este Manual de Instalación y Operación (este "Manual"), que incluyen, aunque no de forma limitativa, el contenido, datos y figuras incluidos en el presente documento, detentados por Delta Electronics, Inc. ("Delta"). El Manual solamente se puede aplicar a la operación o el uso de producto. Toda disposición, duplicación, diseminación, reproducción, modificación, traducción, extracción o cualquier otro uso del Manual está prohibido sin obtener el consentimiento por escrito previo de Delta. Puesto que el producto se desarrolla y mejora de forma continua, Delta puede modificar o actualizar el Manual de vez en cuando sin previo aviso. Delta hará todo lo que esté en su mano para mantener el Manual actualizado, así como la precisión del este Manual. Delta rechaza cualquier forma de garantía, compromiso o relación legal, tanto de forma explícita como implícita, incluidos, aunque no de forma limitativa, la integridad, precisión, no infracción, comercialización o adecuación para ningún fin o uso específico.

Copyright © Delta Electronics, Inc. Todos los derechos reservados.

Introducción

El cargador de pared de corriente continua DC Wallbox es la mejor elección en la actualidad para alimentar vehículos provistos de batería eléctrica (BEV y vehículos eléctricos enchufables (PHEV). Está diseñado para carga rápida en zonas tanto públicas como privadas, tales como espacios de estacionamiento de minoristas y establecimientos comerciales, estaciones de carga de flotas, áreas de descanso en autopistas, centros de trabajo, residencias, etc.

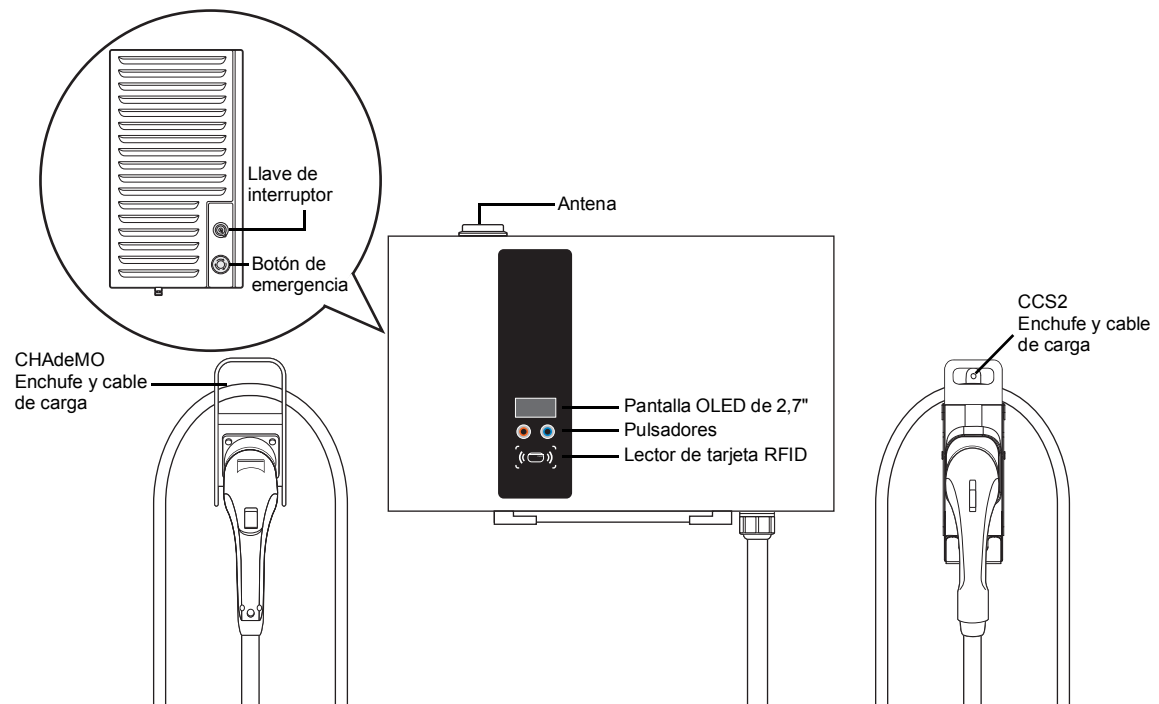
El cargador DC Wallbox tiene la ventaja de su fácil instalación. El diseño de montaje en la pared y los módulos de potencia enchufables permiten una instalación flexible y barata en diferentes tipos de ubicaciones. El cargador DC Wallbox también dispone de capacidad de comunicación en redes; puede conectarse con sistemas de red remotos y proporcionar a los conductores de coches eléctricos información en tiempo real, tal como las ubicaciones de estaciones de carga, información del proceso de carga e información de facturación. El cargador DC Wallbox tiene una interfaz de usuario clara con botones de función, un sistema seguro de suministro de corriente, y una excelente tecnología contra el agua y el polvo para proporcionar la mejor elección para entornos al aire libre. También se puede integrar con sistemas de energías renovables, tales como energía solar y tecnología eólica, para proporcionar la infraestructura de mayor ahorro de energía para el desarrollo de sistemas de vehículos eléctricos (VE).

Características

- El diseño de montaje en la pared y los módulos de potencia enchufables permiten una instalación flexible y sencilla.
- Ofrece a los clientes la comodidad de un control completo del inicio y la detención de la carga, desde una tarjeta inteligente RFID autorizada.
- Construido según los últimos estándares de la industria para la carga de CC.
- Incluye una carcasa rating capaz de soportar intrusiones de sólidos y líquidos en entornos al aire libre, haciendo que la unidad sea más estable y muy fiable.
- Proporciona una pantalla OLED de alto contraste como interfaz provista de botones multifunción.

Aplicaciones

- Zonas de estacionamiento públicas y privadas
- Zonas de aparcamiento comunitario
- Zonas de aparcamiento hoteles, supermercados y centros comerciales
- Zonas de aparcamiento en centros de trabajo
- Estaciones de carga
- Áreas de descanso en autopistas



Instrucciones de seguridad y conexión importantes

Selección del lugar de instalación

DC Wallbox puede instalarse tanto en interior como en exterior. Es necesario tener en cuenta las condiciones de instalación y protección en el lugar:

- Siga las normas locales de regulación eléctrica e instalación.
- Tenga en cuenta las rutas de emergencia en el lugar de instalación.
- No instale el dispositivo en áreas de atmósfera potencialmente explosiva.

Seguridad y cumplimiento

- Lea el manual antes de la instalación o uso del dispositivo.
- No introduzca herramientas, material o partes del cuerpo en el conector del vehículo eléctrico.
- No utilice el cargador DC Wallbox si la cabina, cable de alimentación o cable de carga están deshilachados, tienen roto el aislamiento o muestran otros signos de deterioro.
- No instale ni utilice el cargador DC Wallbox si la carcasa está rota, agrietada, abierta, o muestra otros signos de deterioro.
- Solamente un técnico autorizado debe instalar el cargador DC Wallbox.
- Asegúrese de que los materiales utilizados y los procedimientos de instalación siguen los códigos de edificación locales, así como las normas de seguridad.
- La información proporcionada en este manual de ninguna manera exime al usuario de la responsabilidad de seguir todos los códigos o las normas de seguridad que sean de aplicación.
- El fabricante no es responsable de los daños físicos, daños a las propiedades o daños al equipo causados por la instalación de este dispositivo.
- Este documento proporciona instrucciones para el cargador DC Wallbox y no se debe usar para cualquier otro producto. Antes de instalar o utilizar este producto, debe revisar cuidadosamente este manual y consultar con un contratista autorizado, electricista autorizado, o experto en instalaciones capacitado para asegurarse del cumplimiento de los códigos de edificación locales, así como las normas de seguridad.

Cableado de la acometida

Conexión a tierra

En la acometida, conecte el neutro a la conexión a tierra. Si la compañía eléctrica no proporciona la conexión a tierra, se debe instalar cerca un punto de puesta a tierra. El punto de conexión a tierra debe conectarse a la barra de tierra en el panel de disyuntor principal, y el neutro debe conectarse a tierra en dicho punto.

380 V - 415 V TRIFÁSICA



¡ADVERTENCIA!

Esta corriente eléctrica procede de una red eléctrica con conexión bifurcada, y el DC Wallbox puede conectar a L1, L2 o L3, y al neutro. La conexión a tierra debe conectarse al neutro solamente en un punto, normalmente en el panel de disyuntor.

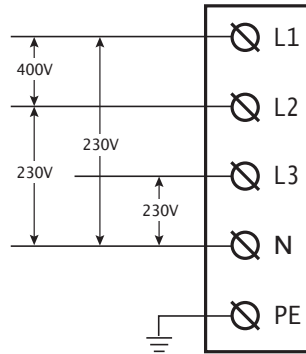


Figura 1. 380 V - 415 V Conexión cableada trifásica

200 V - 230 V TRIFÁSICA



¡ADVERTENCIA!

Esta corriente eléctrica procede de una red eléctrica con conexión triangular, y el DC Wallbox puede conectar a L1, L2 o L3, y al neutro. La conexión a tierra debe conectarse al neutro solamente en un punto, normalmente en el panel de disyuntor.

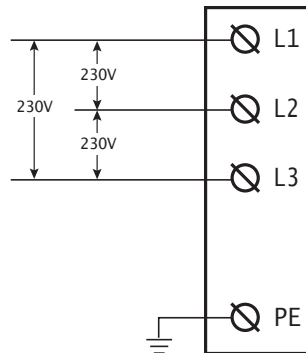


Figura 2. 200 V - 230 V Conexión cableada trifásica



¡ADVERTENCIA!

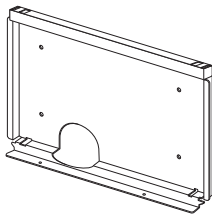
Altas corrientes de fuga.
La conexión a tierra es fundamental antes de conectar ninguna corriente eléctrica.

Antes de la instalación

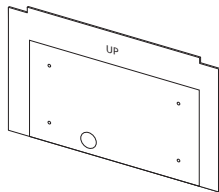
Requisitos de seguridad

- Asegúrese de revisar previamente los procedimientos operativos normalizados (SOP) y garantizar que se revisan los códigos eléctricos y de edificación locales antes de instalar el cargador DC Wallbox.
- Un técnico autorizado deberá instalar el cargador DC Wallbox de acuerdo con el manual de instrucciones y la normativa de seguridad local.
- Utilice una protección adecuada cuando conecte el cable de distribución de alimentación principal.
- La desconexión del interruptor de cada conductor conectado a tierra con entrada de CA debe proporcionarse por terceros, según el código IEC61851-1.
- Para una entrada trifásica de cuatro cables 380VCA -415VCA de entrada, deberá instalarse un disyuntor de tipo C o tipo D con RCD de tipo A cuadrupolo de 30 mA en el panel anterior, y la corriente nominal del disyuntor deberá ser de 50 A.
- Para una entrada trifásica de tres cables con 200VCA -230VCA de entrada, deberá instalarse un disyuntor de tipo C o tipo D con RCD de tipo A de 30 mA en el panel anterior, y la corriente nominal del disyuntor deberá ser de 100 A.

Kit de accesorios



Soporte de montaje x 1



Plantilla de montaje x 1



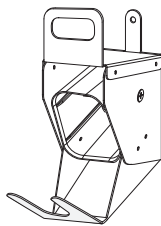
Tarjetas RFID x 2



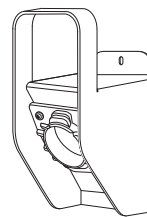
Llaves x 2



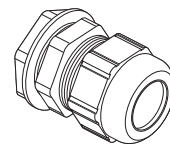
Manual del usuario x 1



Soporte del enchufe CCS2 x 1



Soporte del enchufe CHAdeMO x 1 (solamente para modelos de salida doble)



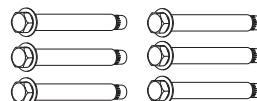
Glándula de cable x 1



Bag of bracket screws x 2 (SCREW M M6*1*8 PAN TORX SUS NL)



Bag of grounding screw x 1 (SCREW M M6*1*12 HEXH C S+P S20C ZN-NI)



Bag of expansion bolts x 6 (+2 for dual output model) (ANCHOR SUS 16*50.8 PICKLING)

Herramientas recomendadas

Se recomiendan las siguientes herramientas para instalar el cargador DC Wallbox:

- (1x) Voltímetro o multímetro digital
- (1x) Nivel de agua
- (1x) Martillo
- (1x) Perforadora de hormigón
- (1x) Cortacables/tenazas
- (1x) Destornillador Torx® de seguridad T15 y T25
- (1x) Destornillador plano y llave recta de tubo n.º 8
- (1x) Destornillador plano n.º 6
- (1x) Destornillador Philips n.º 2
- (1x) Destornillador Philips n.º 3
- (1x) Conector terminal M50, conducto y llave para cables de alimentación principales
- (1x) Conector terminal M25, conducto y llave para Ethernet
- (4x) Arandela terminal RNB14-6 for L1/L2/L3/N para cable (cable de cobre de 14 mm²) en modelos con entrada trifásica 380V-415V
- (3x) Arandela terminal RNB38-6 for L1/L2/L3 para cable (cable de cobre de 38 mm²) en modelos con entrada trifásica 200V-230V
- (1x) Arandela terminal RNB14-6 para cable PE/tierra (cable de cobre de 14 mm²- copper wire)

Instrucciones de seguridad importantes.

Guarde estas instrucciones.

- Solamente un técnico autorizado debe instalar el cargador DC Wallbox, y/o un electricista autorizado según todas las normativas y leyes locales, autonómicas y nacionales que sean de aplicación.
- Antes de instalar el cargador DC Wallbox, revise cuidadosamente este manual y consulte con un contratista autorizado, electricista autorizado y experto en instalaciones capacitado para asegurarse el cumplimiento con las prácticas locales de edificación, condiciones climáticas, normas de seguridad, y normativa autonómica y local.



¡ADVERTENCIA!

Peligro de descargas eléctricas o lesiones. Desconecte la alimentación en la placa del panel o centro de carga antes de realizar trabajo alguno en el equipo o de retirar cualquier componente. No retire los dispositivos de protección del circuito, ni ningún otro componente hasta desconectar la alimentación.



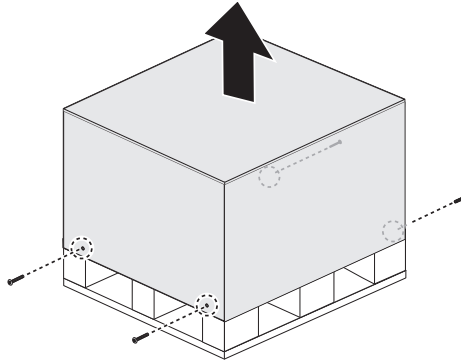
¡PRECAUCIÓN!

PARA EVITAR DAÑOS EN EL CARGADOR O LESIONES PERSONALES, ASEGÚRESE DE QUE LA UBICACIÓN DE LA INSTALACIÓN PUEDE SOPORTAR EL PESO DEL CARGADOR DC WALLBOX.

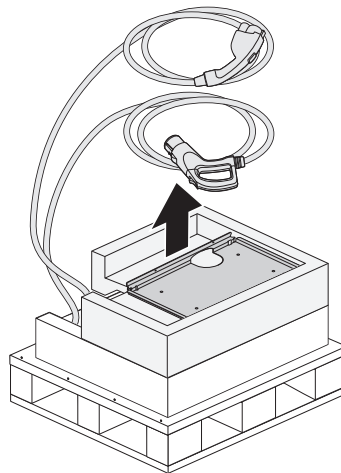
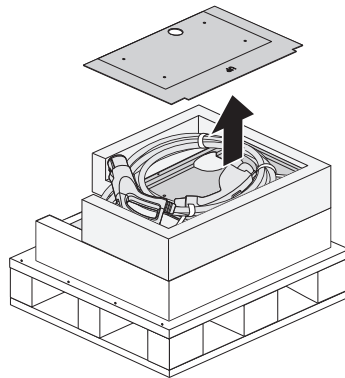
Instalación del cargador DC Wallbox

Preparación

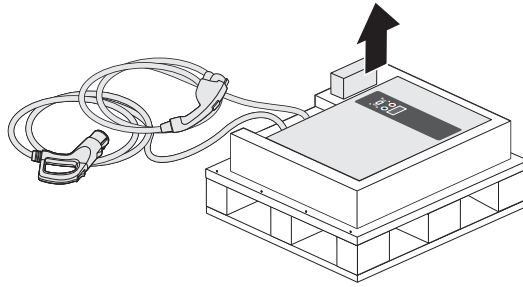
1. Libere los tornillos de la caja (dos lados) con una llave recta de tubo n.º 8.
2. Abra la tapa superior de la caja de madera contrachapada.



3. Extraiga la plantilla de montaje y corte las bridas de cable para mover el enchufe de carga.



4. Retire la espuma de la parte superior, abra la bolsa de plástico y extraiga la unidad.

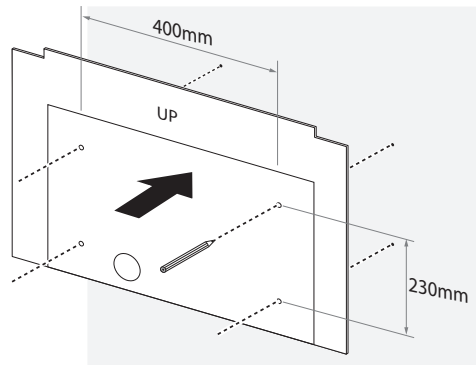


Nota:

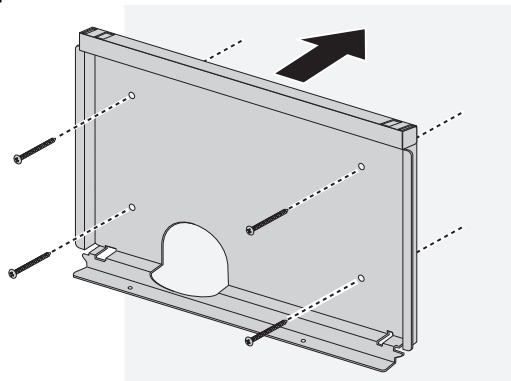
Con mucho cuidado, coloque la unidad y el enchufe de carga en el suelo o en una superficie plana a nivel.

Montaje en pared

1. Utilice la plantilla y una herramienta de nivelación para marcar la posición de montaje.



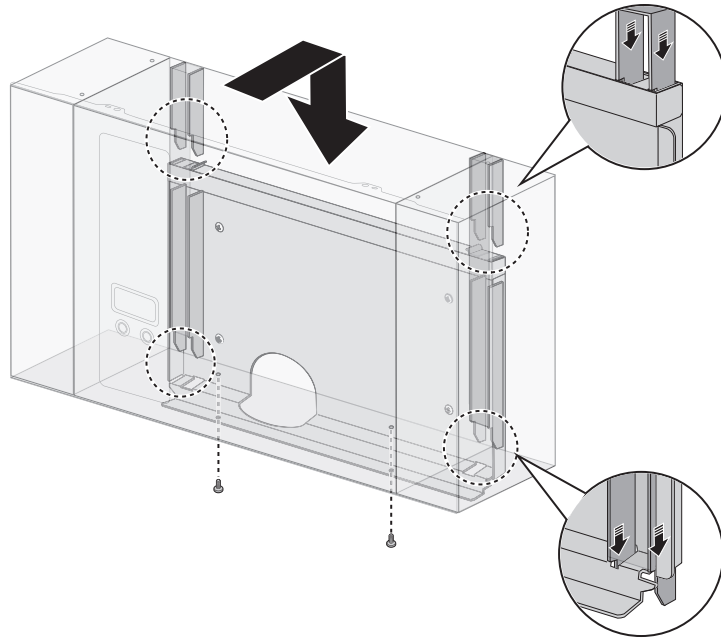
2. Monte el soporte en la pared.



Nota:

- La unidad debe montarse en una pared resistente (preferiblemente, de hormigón o metal).
- Utilice los pernos de expansión del kit de accesorios o seleccione los tornillos de montaje adecuados para los diferentes tipos de pared. Es posible que necesite una taladradora en determinados casos.
- La unidad debe montarse a una altura suficiente, contando a partir de la pendiente, de tal forma que la altura del almacenamiento se encuentre situada **entre 60 cm (24 pulgadas) y 120 cm (4 pies)** desde la pendiente, según el Artículo 625 de la NEC estadounidense.

3. Coloque la unidad en el soporte. Alinee la parte posterior del bastidor de la unidad con la ranura correspondiente del soporte. Deslice lentamente hacia abajo la unidad hasta que se asiente firmemente en el soporte. Apriete dos tornillos de la parte inferior.



Nota:

Los tornillos de fijación de la parte inferior se encuentran en el kit de accesorios.

Realizar la conexión

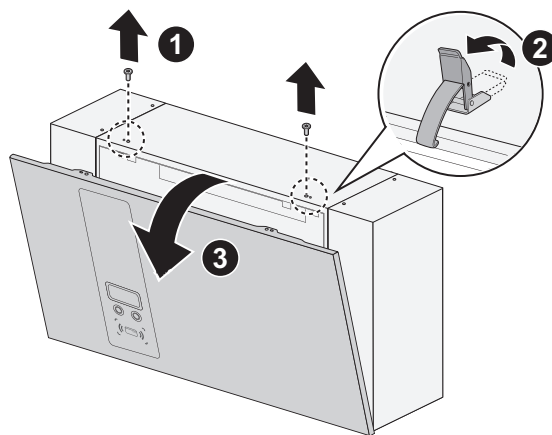


¡ADVERTENCIA!

Utilice solamente un destornillador **Torx® de seguridad T15** para apretar o quitar los tornillos. El uso de cualquier otra herramienta puede dañar los tornillos y el panel.

Cableado de la alimentación eléctrica

1. Abra la cubierta frontal del cableado.
 - a. Libere dos tornillos de la parte superior.
 - b. Libere los pestillos para abrir la cubierta frontal.
 - c. Baje la cubierta despacio.



2. Los cables de alimentación se pueden pasar por la parte inferior o posterior de la carcasa. Seleccione el punto para pasar el cableado.

Cableado por la parte inferior:

- a. Pase los cables por la parte inferior. Asegúrese de que el cableado llega con facilidad hasta los conectores antes de fijarlos.
- b. Continúe con la fijación de los cables, vea la siguiente etapa.

Cableado por la parte posterior:

- a. Retire el tapón estanco de la parte posterior de la carcasa e inserte el tapón estanco en la ubicación de acceso del cable en la parte inferior de la carcasa.



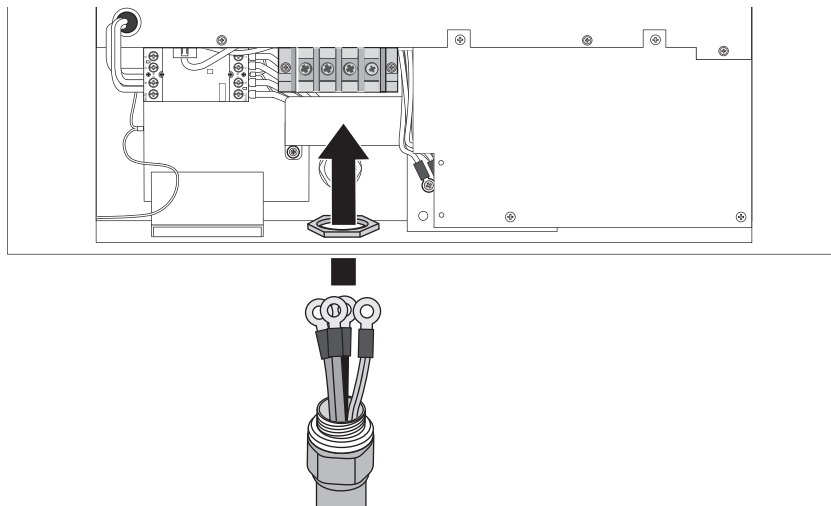
- b. Continúe con los siguientes pasos.



¡PRECAUCIÓN!

PASAR EL CABLEADO POR LA PARTE POSTERIOR PUEDE PROVOCAR EL RIESGO DE FUGA DE AGUA. NO SELECCIONE ESTE TIPO DE CONEXION DEL CABLEADO EN LUGARES AL AIRE LIBRE.

3. Apriete el prensaestopas para fijar los cables.



Nota:

Para asegurar la protección de los elementos, asegúrese de usar prensaestopas **con certificación IP55 (o superior)**.

4. Retire la tapa del bloque de terminales y conecte el cableado a los terminales adecuados. Vea la siguiente información para determinar las conexiones específicas del modelo.

Los requisitos del cableado dependen del tipo de modelo, y de si se trata de modelos monofásicos o trifásicos.

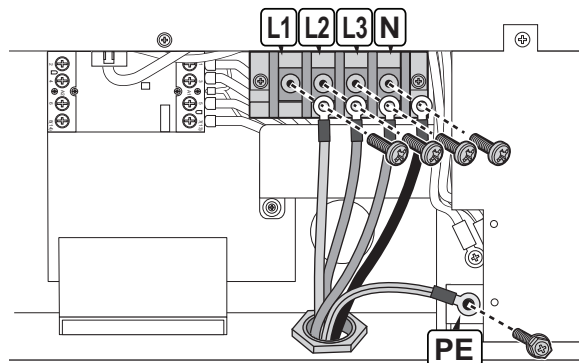


¡ADVERTENCIA!

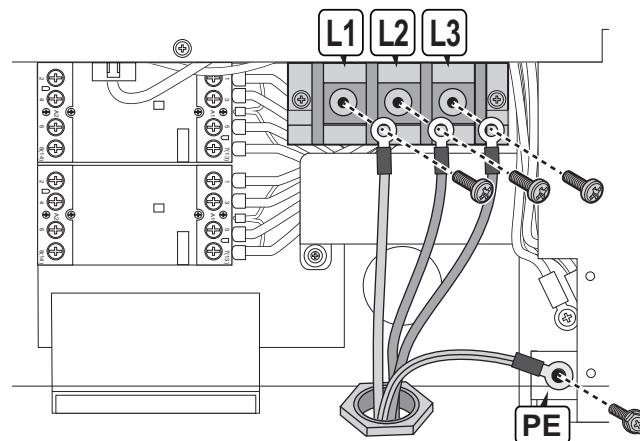
La codificación de los cables por colores puede estar definida de otro modo dependiendo de la región.

Trifásico

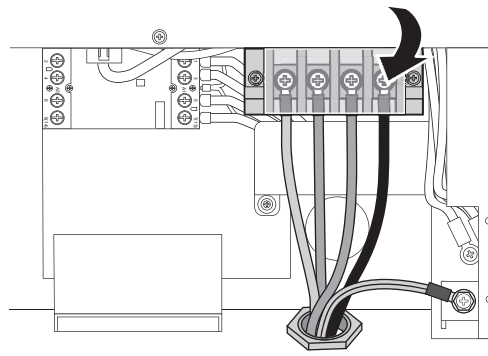
Cableado del 380Vac - 415Vac



- Use el conector terminal y tamaño de conducto M50 según la norma EN 61386-24.
- Conecte los cables de alimentación de la arandela terminal 4 x RNB14-6 con los terminales para cables a la terminal de entrada marcada con L1, L2, L3 y N usando 4 x tornillos M6.0 con una fuerza de apriete de 33 kg-cm.
- Conecte el cable de tierra de RNB14-6 al terminal de puesta a tierra marcado con el símbolo de tierra (⊕) utilizando 1 x tornillo M6.0 con una fuerza de apriete de 20 kg-cm.

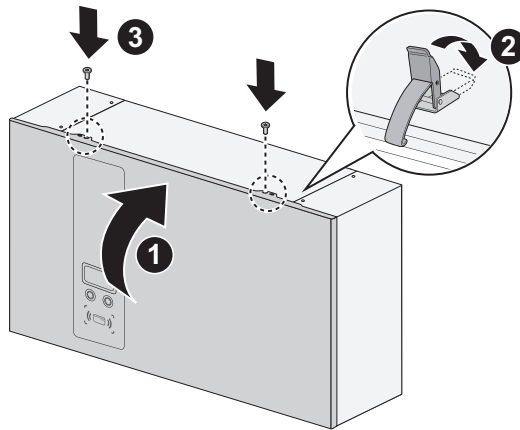
Cableado del 200Vac - 230Vac

- Use el conector terminal y tamaño de conducto M50 según la norma EN 61386-24.
 - Conecte los cables de alimentación de la arandela terminal 3 x RNB38-6 con los terminales para cables a la terminal de entrada marcada con L1, L2 y L3 usando 3 x tornillos M6.0 con una fuerza de apriete de 33 kg-cm.
 - Conecte el cable de tierra de RNB14-6 al terminal de puesta a tierra marcado con el símbolo de tierra (\oplus) utilizando 1 x tornillo M6.0 con una fuerza de apriete de 20 kg-cm.
5. Apriete cada uno de los cables con el tornillo correcto. Asegúrese de que se usa la cantidad correcta de fuerza de apriete. Vea la información relacionada.
 6. Vuelva a colocar la tapa en el bloque terminal.

**¡PRECAUCIÓN!**

A ASEGÚRESE DE QUE EL CONDUCTO DEL CABLE ELÉCTRICO ESTÁ ALINEADO CON LA ABERTURA DE ENTRADA DEL CABLE DEL CARGADOR DC WALLBOX ANTES DE LA INSTALACIÓN. SI NO LO HACE, PODRÍA DAÑAR EL CABLEADO O EL CARGADOR.

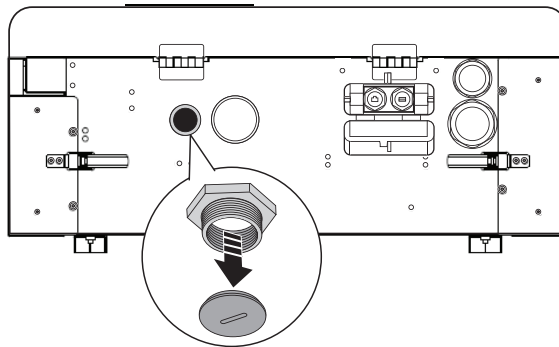
7. Vuelva a colocar la cubierta frontal y apriete los tornillos firmemente.



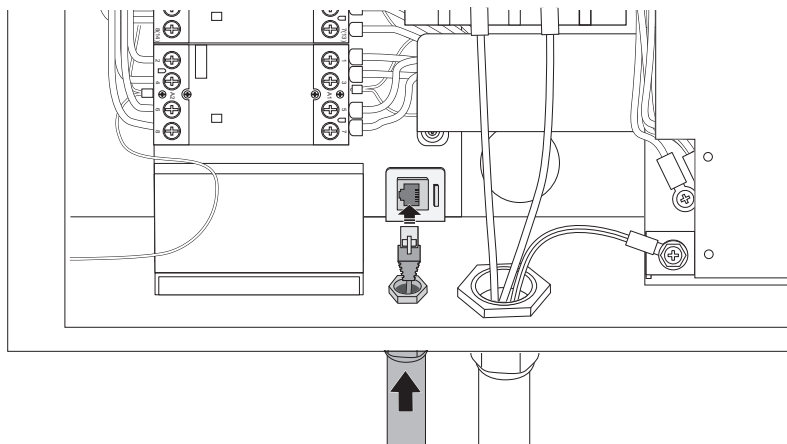
Conexión Ethernet

Se recomienda conectar los cables Ethernet a través de los puertos de acceso situados en la parte inferior. Es necesario abrir la cubierta frontal.

1. Retire el tapón estanco desde el puerto de acceso Ethernet.



2. Introduzca el cable a través del puerto, y conecte el cable Ethernet al terminal.
3. Apriete el conducto o el prensaestopas para fijar el cable.

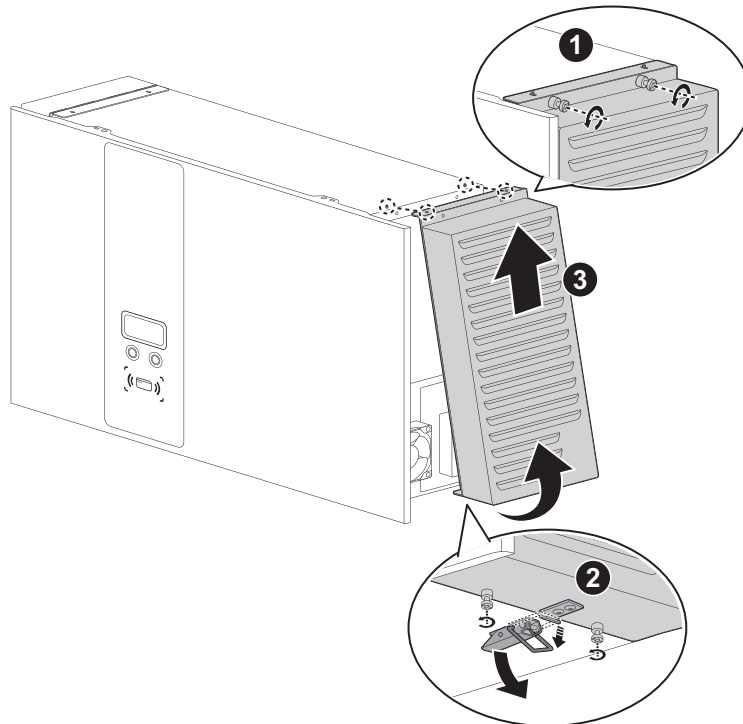


Nota:

Para asegurar la protección de los elementos, asegúrese de usar prensaestopas con certificación IP55 (o superior).

Conexión 3G

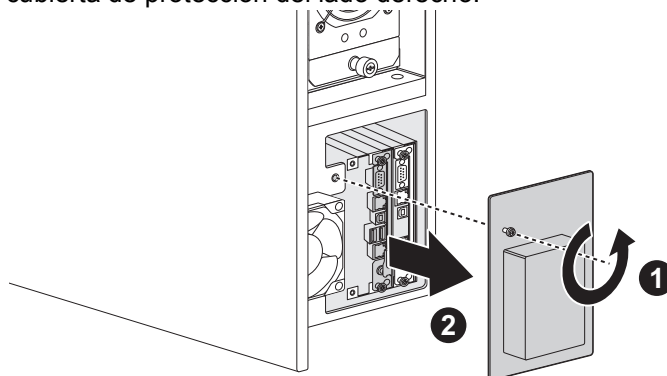
1. Retire la cubierta del filtro derecho.
 - a. Suelte los tornillos de la parte superior.
 - b. Suelte los tornillos de la parte inferior y tire del pestillo.
 - c. Abra y retire la cubierta del filtro.



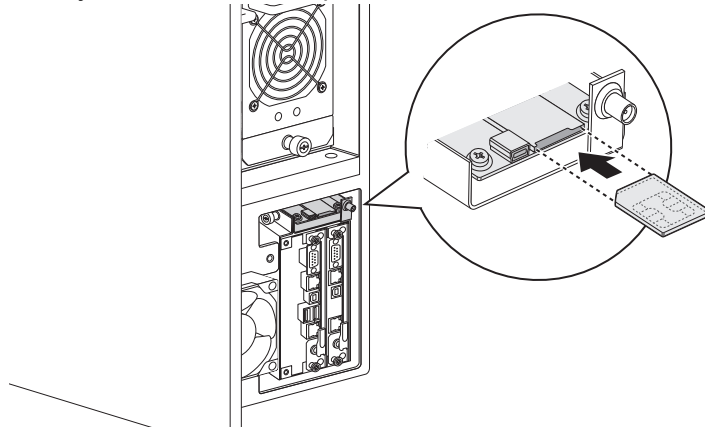
¡ADVERTENCIA!

Utilice solamente un destornillador **Torx® de seguridad T25** para apretar o quitar los tornillos de la unidad. El uso de cualquier otra herramienta puede dañar los tornillos y el panel.

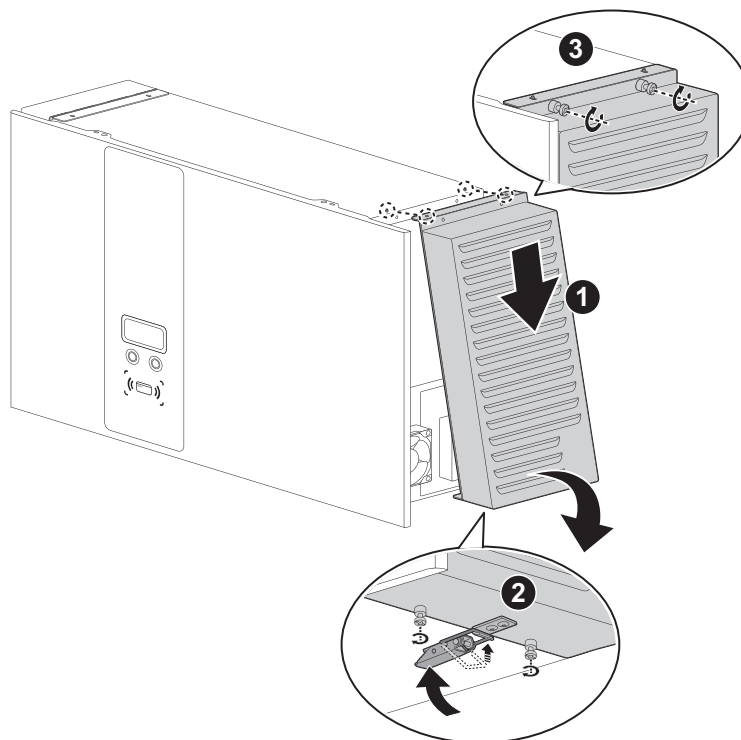
2. Retire la cubierta de protección del lado derecho.



3. Introduzca una tarjeta micro SIM en el panel 3G. Vuelva a colocar la cubierta de protección.



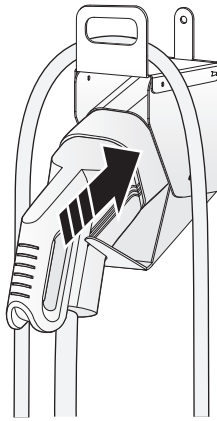
4. Devuelva la cubierta del filtro derecho.
 - a. Cuelgue la cubierta del filtro en la unidad.
 - b. Estire de la pestaña y vuelva a colocar la cubierta del filtro.
 - c. Apriete los tornillos de la parte inferior.
 - d. Apriete los tornillos de la parte superior.



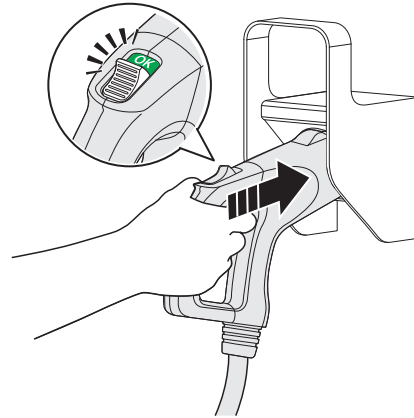
- e. Cierre el seguro en la parte inferior. El seguro tiene un orificio de 3,3 mm de diámetro para colocar un candado con el fin de evitar manipulaciones.

Configurar el enchufe de carga

1. Monte el soporte del enchufe de carga en la pared.
2. Coloque correctamente el cable de carga y el enchufe sobre el soporte.



IEC DC (CCS2)

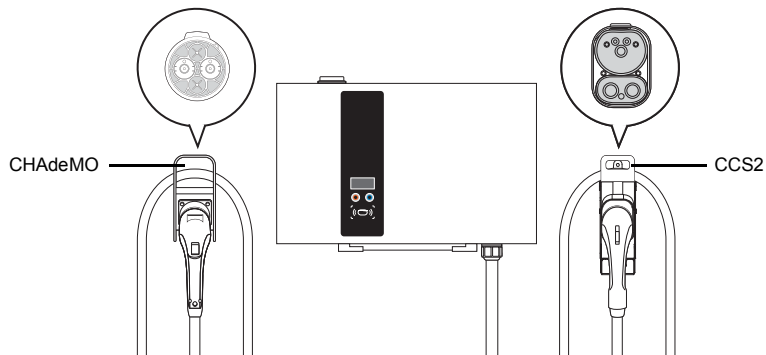


CHAdeMO - solamente para modelos de salida
doble

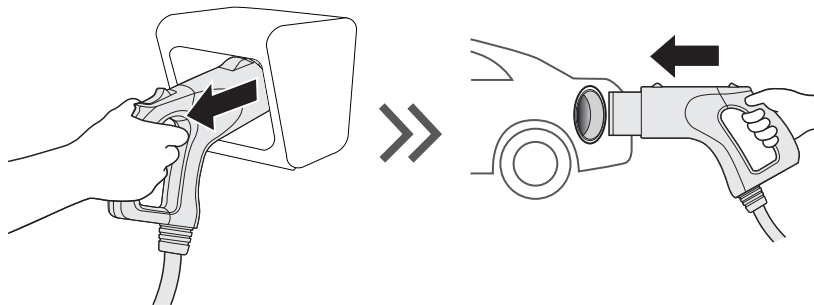
3. Conecte el interruptor de encendido y gire la llave para inicializar el DC Wallbox cuando se hayan completado todos los pasos.

Operación

1. Seleccione el idioma preferido.
2. Seleccione un enchufe compatible (CCS o CHAdeMO).



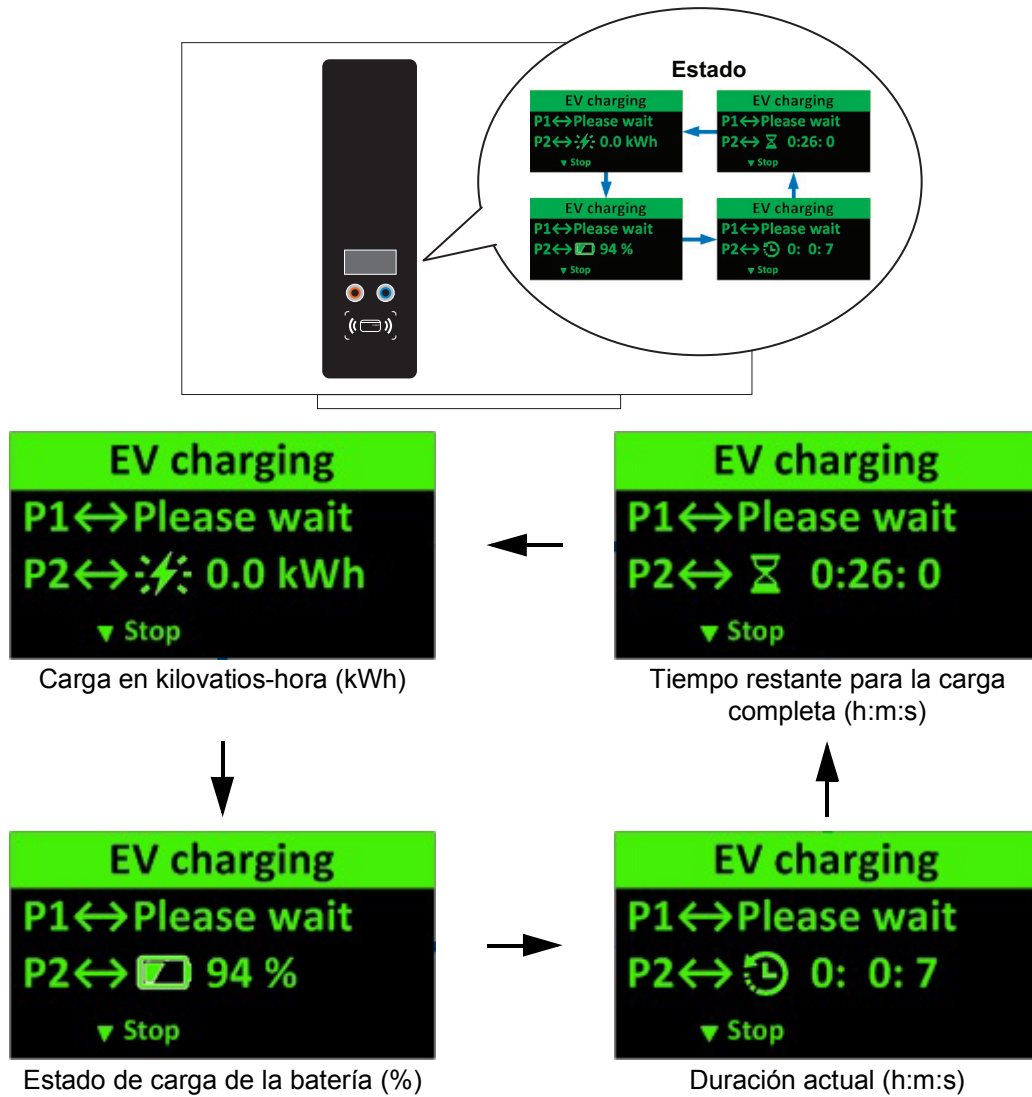
3. Conecte el enchufe al VE.



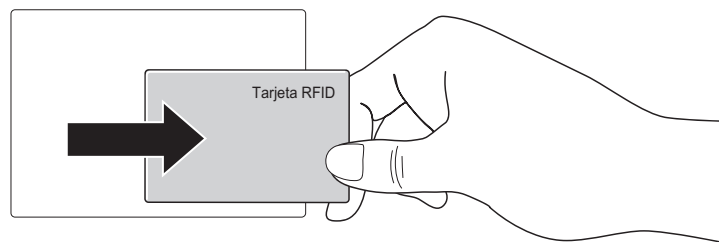
4. Pase la tarjeta TF autorizada para iniciar la carga. La RFID autorizada se puede usar directamente sin ninguna activación o configuración.



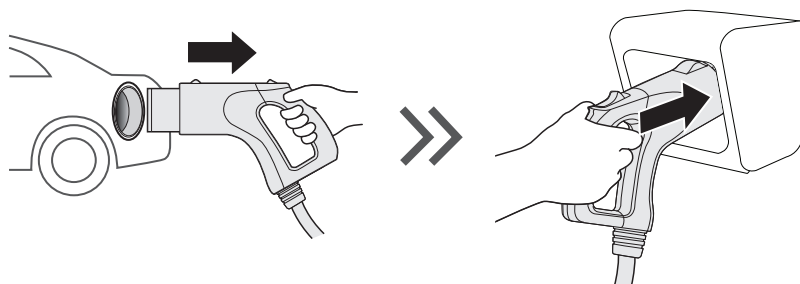
5. Cuando comience la carga, se mostrará en la pantalla la información de estado. Las siguientes ilustraciones muestran el procedimiento completo, desde el inicio hasta la finalización.



6. Pase la tarjeta TF autorizada para detener.



7. Devuelva el enchufe al soporte.



Configuración del sistema

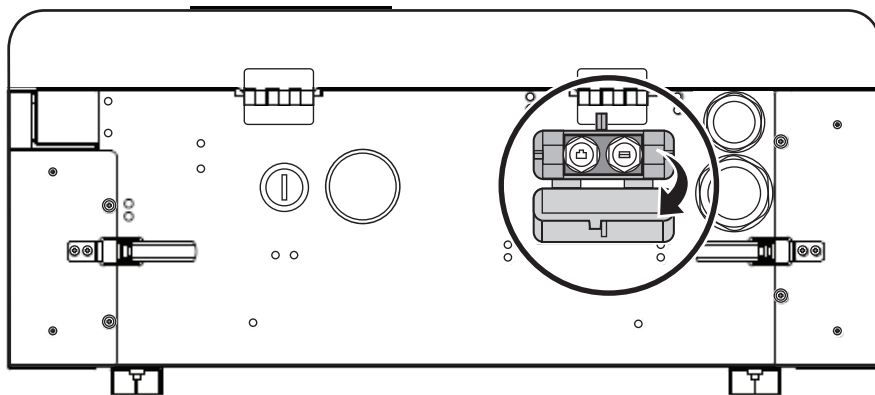


¡ADVERTENCIA!

Configure el cargador solamente cuando no esté en modo de carga, para no interrupción de una sesión de carga en curso.

Pasos:

1. Use la herramienta de configuración compatible con Windows publicada por el fabricante del DC Wallbox.
2. Cuando la configuración esté completa, copie el archivo de parámetros (DeltaDCWallboxConfig) en el directorio raíz de una unidad flash USB (el formato del archivo debe ser FAT/FAT32).
3. Introduzca la unidad flash USB en el puerto USB situado en la parte inferior (marcado con USB). La configuración se cargará en el DC Wallbox.



4. Cuando la configuración esté completa, retire la unidad flash USB.

USB inserted
Configuration...



USB inserted
Configuration OK

5. Cierre la tapa de protección. El seguro tiene un orificio para colocar un candado con el fin de evitar manipulaciones.

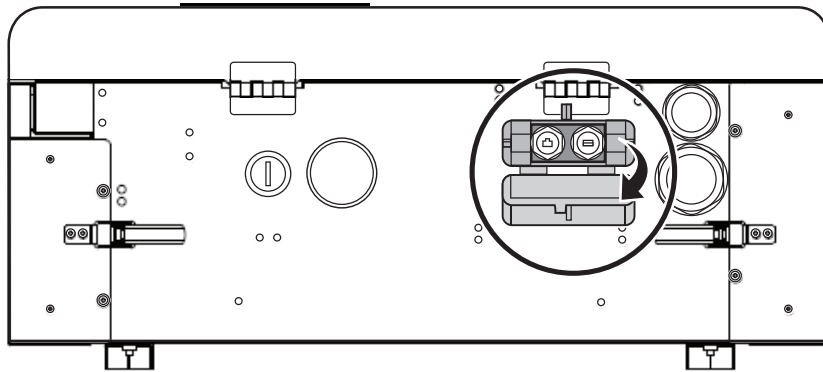
Configuración 3G

Para los modelos provistos de módem 3G, introduzca una tarjeta SIM 3 G (WCDMA) como se ha indicado en pasos anteriores (página 14) para iniciar la conexión 3G. Pida a su operador local que active el servicio de datos de la tarjeta SIM con antelación. Deshabilite la verificación de PIN de la tarjeta SIM antes de introducir la tarjeta en el módem. Solicite al operador la información de APN y asegúrese de que la APN está correctamente configurada usando la herramienta de configuración.

Actualización del firmware

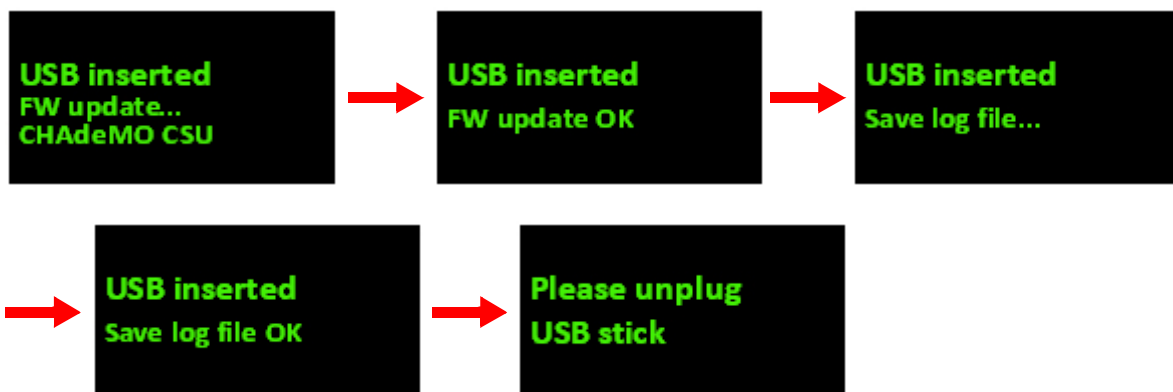
Las actualizaciones del firmware se pueden realizar mediante el puerto USB situado en la parte inferior del armazón.

1. Consiga una unidad flash USB. La unidad debe estar formateada con el formato FAT/FAT32.
2. Introduzca la unidad flash USB en el puerto USB situado en la parte inferior de la unidad (marcado con USB).



El firmware actualizado se carga en el DC Wallbox.

El estado se muestra en el panel.



3. Cuando el sistema finaliza el procedimiento de actualización, se reinicia automáticamente.
4. Cierre la tapa de protección. El seguro tiene un orificio para colocar un candado con el fin de evitar manipulaciones.

Mantenimiento

Cada seis meses,

1. Sustituya el filtro de ventilación.
2. Realice una inspección visual del cable de carga y compruebe que el cable no muestran ninguna deformación o daño a simple vista.
3. Realice una inspección visual de la pistola de carga, y compruebe que la pistola no muestra ningún daño a simple vista, arcos o herrumbre.



¡ADVERTENCIA!

Para evitar el peligro de descargas eléctricas o lesiones, desconecte la alimentación en la placa del panel o centro de carga antes de realizar trabajo alguno en el equipo o de retirar cualquier componente. No retire los dispositivos de protección del circuito ni ningún otro componente hasta desconectar la alimentación.

Desconecte la alimentación eléctrica del DC Wallbox antes de realizar cualquier trabajo de mantenimiento, a fin de garantizar que está separado del suministro de corriente CA principal. Si no lo hace, esto puede provocar lesiones físicas o daños en el sistema eléctrico y la unidad de carga.



Nota:

- Antes de cerrar el disyuntor principal para cortar la corriente, anote el código de error mostrado en la pantalla.
- Incluso aunque la llave del interruptor esté cerrada, el circuito antes del terminal principal sigue siendo peligroso. En ese momento, realice solamente inspecciones visuales.
- Solamente un técnico autorizado puede realizar el mantenimiento del DC Wallbox.
- Después de abrir la puerta frontal, cierre el disyuntor principal y el disyuntor auxiliar antes de realizar cualquier trabajo de mantenimiento.

Garantía

Requisitos generales de garantía

Delta garantiza que los productos estarán libres de defectos de material y mano de obra por un período de dos años para el EVSE con el número de serie estampado en el producto por el comprador original de la empresa Delta. Esta garantía únicamente se aplica al comprador original y no puede transferirse a un tercero.

Disposición

Después de desmantelar el dispositivo correctamente, solicite al departamento de servicio que lo deseche de conformidad con la normativa vigente en materia de eliminación de residuos. Los dispositivos eléctricos y electrónicos, incluidos los accesorios, deben eliminarse por separado de los residuos generales.



Recicle cualquier material de embalaje que sea de material reciclable, como papel, cartón, madera, etc., y tire a la basura los demás materiales de embalaje no reciclables. Puede contribuir de manera significativa a la protección del medio ambiente reutilizando o reciclando los materiales.

Código del sistema

Código de alarma	Descripción
004001	La tensión de entrada del sistema es mayor que el intervalo de trabajo (> 305 voltios)
004002	La tensión de entrada del sistema (L2 o L3) es menor que el intervalo de trabajo (< 170 voltios)
004003	La tensión de salida del sistema es superior a la tensión máxima de la batería del VE
004004	La tensión de salida solicitada por el VE es mayor que la disponibilidad EVSE actual
004005	La temperatura de entrada de aire o del contactor de entrada es mayor que el intervalo de trabajo (> 60°C)
004006	La temperatura del enchufe de carga combinado CCS es mayor que el intervalo de trabajo <ul style="list-style-type: none"> ● REMA => (> 85°C) ● Phoenix => (> 75°C)
004007	El filtro de aire debe sustituirse
004008	El ventilador del sistema está atenuada por lo que necesita sustituirse
004009	El autodiagnóstico del controlador del sistema ha fallado
00400A	Botón de emergencia pulsado
00400B	Ha fallado la autorización del usuario desde el servidor
00400C	Ha fallado la autorización del usuario desde el propio EVSE
00400D	El sensor de temperatura de entrada de aire está roto
00400E	El sensor de temperatura del contactor de entrada está roto
00400F	Disparador SPD
004010	El fusible de salida en el lado del CCS está roto
004011	El fusible de salida en el lado del CHAdeMO está roto
004012	El sensor de temperatura del enchufe de carga combinado of CCS está roto
004013	La temperatura de entrada de aire o del contactor de entrada es menor que el intervalo de trabajo (< -40°C)
004014	El usuario ha detenido la carga
004017	El sistema alcanza el límite de tiempo si el usuario no conecta el enchufe en los 3 minutos posteriores a la autorización
004018	Se ha superado el tiempo de carga (Máx.: 2 h)
004019	El almacenamiento de datos del sistema no es suficiente
004020	Error desconocido
004021	La carga se ha detenido de forma remota desde la oficina del servidor
004022	La tensión de entrada ha caído (<20 V, <100 ms)
004023	La tensión de entrada del Sistema L1 es menor que el intervalo de trabajo (< 170 voltios)
005001	La comunicación con el VE CHAdeMO se ha interrumpido
005005	La comunicación con el VE CCS se ha interrumpido

Código de alarma	Descripción
005006	El rectificador de potencia está roto (SMR)
005007	La comunicación con el controlador CCS se ha interrumpido
005008	La comunicación con el módulo de alimentación auxiliar se ha interrumpido
005009	La comunicación con el módulo de control del relé se ha interrumpido
00500C	La comunicación con el módulo de pantalla se ha interrumpido
00500D	La comunicación con el módulo RFID se ha interrumpido
00500E	El módulo 3G no está listo (el propio módulo o la SIM)
00500F	El módulo WiFi no está listo
006001	La conexión 3G se ha desconectado de la APN
006002	La conexión 3G se ha desconectado de la Internet
006003	La conexión 3G se ha desconectado de la oficina del servidor
006008	La conexión Ethernet se ha desconectado de la Internet
006009	La conexión WiFi se ha desconectado de la oficina del servidor
007001	El componentes de hardware del rectificador de potencia está roto
007002	La tensión de entrada del rectificador de potencia es mayor que el intervalo de trabajo
007003	La tensión de entrada del rectificador de potencia es menor que el intervalo de trabajo
007004	La tensión de salida es mayor que el intervalo de trabajo del rectificador de potencia
007006	La temperatura de entrada de aire en el rectificador de potencia es mayor que el intervalo de trabajo (> 60°C)
007008	La temperatura del PFC es mayor que el intervalo de trabajo
007009	La temperatura del PFC es menor que el intervalo de trabajo
00700A	La temperatura del DCDC es mayor que el intervalo de trabajo
00700B	La temperatura del DCDC es menor que el intervalo de trabajo
00700C	El ventilador del interior del rectificador de potencia está roto
00700D	El diodo de salida de la junta tórica está roto
00700E	El test de aislamiento ha fallado
008003	5 voltios para el controlador del sistema es mayor que el intervalo de trabajo
008004	5 voltios para otros módulos del sistema es mayor que el intervalo de trabajo
008005	5 voltios para el bus CAN es mayor que el intervalo de trabajo
008006	12 voltios para otros módulos del sistema es mayor que el intervalo de trabajo
008007	12 voltios para la comunicación con el VE es mayor que el intervalo de trabajo
008008	24 voltios para control de relé es mayor que el intervalo de trabajo
008009	5 voltios para el controlador del sistema es menor que el intervalo de trabajo
00800A	5 voltios para otros módulos del sistema es menor que el intervalo de trabajo
00800B	5 voltios para el bus CAN es menor que el intervalo de trabajo

Código de alarma	Descripción
00800C	12 voltios para otros módulos del sistema es menor que el intervalo de trabajo
00800D	12 voltios para la comunicación con el VE es menor que el intervalo de trabajo
00800E	24 voltios para control de relé es menor que el intervalo de trabajo
008010	La tensión de salida de 5 voltios para el controlador del sistema es mayor que el intervalo de trabajo
008011	La tensión de salida de 5 voltios para otros módulos del sistema es mayor que el intervalo de trabajo
008012	La tensión de salida de 5 voltios para el bus CAN es mayor que el intervalo de salida
008013	La tensión de salida de 12 voltios para otros módulos del sistema es mayor que el intervalo de trabajo
008014	La tensión de salida de 12 voltios para la comunicación con el VE es mayor que el intervalo de trabajo
008015	La tensión de salida de 24 voltios para el relé de control es mayor que el intervalo de trabajo
008016	La temperatura de 12 voltios para la comunicación con el VE es mayor que el intervalo de trabajo
008017	La temperatura de 5 voltios para otros módulos del sistema es mayor que el intervalo de trabajo
008018	La temperatura de 24 voltios para el relé de control es mayor que el intervalo de trabajo
008019	La temperatura ambiente de la potencia aux. es mayor que el intervalo de trabajo
009001	Disparador GFD
009003	Pre calentamiento GFD
009004	fallo del autodiagnóstico GFD
00A001	El contactor de entrada 1 está soldándose
00A002	El contactor de entrada 1 está produciendo un fallo
00A003	El contactor de entrada 2 está soldándose
00A004	El contactor de entrada 2 está produciendo un fallo
00A005	El lado positivo del relé de salida para la carga CCS está soldándose
00A006	El lado positivo del relé de salida para la carga CCS está produciendo fallos
00A007	El lado positivo del relé de salida para la carga CHAdeMO está soldándose
00A008	El lado positivo del relé de salida para la carga CHAdeMO está produciendo fallos
00A009	El lado negativo del relé de salida para la carga CCS está soldándose
00A00A	El lado negativo del relé de salida para la carga CCS está produciendo fallos
00A00B	El lado negativo del relé de salida para la carga CHAdeMO está soldándose
00A00C	El lado negativo del relé de salida para la carga CHAdeMO está produciendo fallos
00B001	La actualización del firmware del módulo de alimentación aux. ha fallado
00B002	La actualización del firmware del módulo de control del relé ha fallado
00B003	La actualización del firmware del módulo LCM ha fallado

Código de alarma	Descripción
00B004	La actualización del firmware del módulo para la carga CCS ha fallado
00B005	La actualización del firmware del módulo para la carga CHAdeMO ha fallado
00B006	La actualización del firmware del módulo del convertidor de potencia ha fallado
00C001	El módulo PLC para la carga CCS está roto
00C002	La proximidad CCS está desconectada
00C003	carga detenida por el VE CCS
00D001	No hay autorización de carga desde el VE CHAdeMO
00D002	Funcionamiento incorrecto de la batería desde el VE CHAdeMO
00D003	Incompatibilidad de la batería con el VE CHAdeMO
00D006	La tensión de salida actual es diferente de la corriente diana
00D007	OPT de la batería desde el VE CHAdeMO
00D008	La corriente de salida actual es diferente de la tensión diana
00D009	La posición de la alarma de desplazamiento procede del VE CHAdeMO
00D00A	Otro fallo el VE procede del VE CHAdeMO
00D00B	El bloqueo del conector CHAdeMO está roto

Solución de problemas

- ¿Por qué la pantalla de la caja DC Wall no está encendida?
 1. Compruebe que el interruptor de llave esté activado.
 2. Compruebe que los dos botones multifunción debajo de la pantalla estén encendidos.
 - a. Si no lo están, compruebe que el cargador esté enchufado a la toma de corriente.
 - b. Si los botones están encendidos, la pantalla está averiada. En ese caso, debe llamar al número de servicio.

- ¿No puedo conectarme a 3G/4G, ¿qué debo hacer?

Compruebe si hay una tarjeta SIM sin PIN en el cargador y si el cable del módem está bien enchufado.

- Estoy conectado a 3G/4G, pero no puedo conectarme al backend (Alarma 006009).
 1. Compruebe la configuración si el ajuste de OCPP es correcto.
 2. Compruebe si hay algún problema en el backend.

- No se puede accionar el botón multifunción.

Compruebe si la luz del botón y la pantalla están encendidos.

 - a. Si las luces están apagadas, compruebe si el cargador está enchufado a una toma de corriente.
 - b. Si únicamente está apagado un botón, entonces el botón está averiado y debe llamar al número de servicio.

- ¿Por qué la caja DC Wall se tambalea o es inestable después de la instalación?

Compruebe que el soporte de montaje esté fijo y que la pared o estructura de soporte tenga la capacidad de fijar y soportar firmemente un objeto de 80 kg. Si el soporte de montaje está fijo, pero la pared no es estable, debe volver a instalarlo en una pared de soporte más estable que pueda soportar el cargador EV.

- No se produce ninguna acción de carga después de deslizar la tarjeta RFID
 1. Compruebe la configuración. El modo de autenticación debería ser mediante tarjeta Delta.
 2. Inténtelo con otra tarjeta Delta. Si la nueva tarjeta funciona, debe reemplazar la otra tarjeta RFID.

- ¿Qué debo hacer si pulso el botón de emergencia por accidente? (Código de alarma: 00400A)

Gire y tire del botón rojo en el lado izquierdo del cargador para que el cargador reanude su funcionamiento normal.

Especificaciones

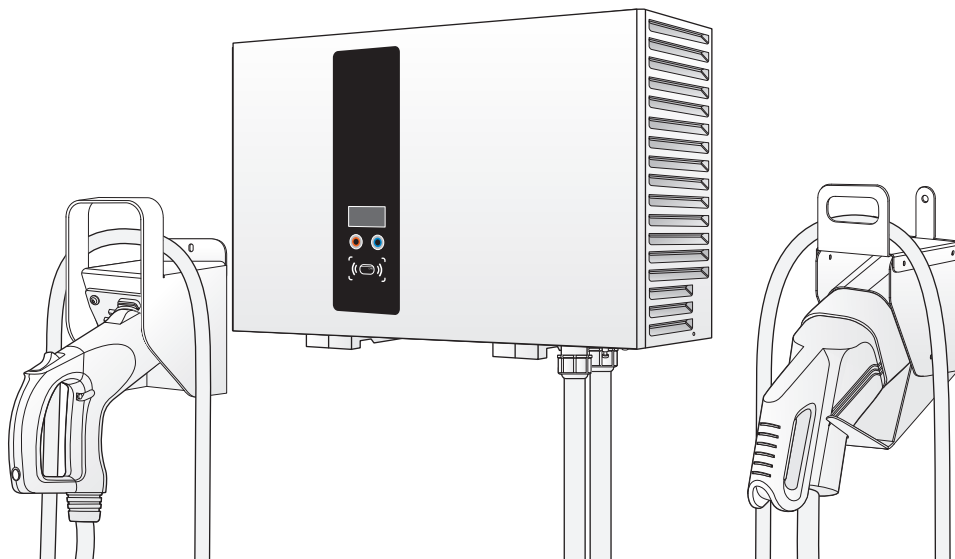
Modelo	EVDE25XXDXX	EVDE25XXEXX
Tensión nominal de entrada	380-415 VAC; 50/60 Hz; 50 A máx.	200-230 VAC; 50/60 Hz; 90A máx.
Cableado	3-fase/L1, L2, L3, N, PE	3-fase/L1, L2, L3, PE
Factor de potencia	> 0,98	
Corriente THD	Cumple la norma EN61000-3-12, IEEE 519	
Eficiencia	94%	
Salida CC n.º 1	IEC CCS DC Nivel 2, 50-500 VCC, 60A máx., 25kW máx.	
Salida CC n.º 2	CHAdEMO, 50-500 VCC, 60A máx., 25 kW máx.	
Protección	Sobreintensidad de corriente, Tensión en defecto, Tensión en exceso, Protección contra sobrecargas, cortocircuito, exceso de temperatura, fallo de tierra	
Pantalla	Pantalla 2.7 OLED	
Pulsadores	Botones multifunción (luz LED: Naranja, Azul)/Botón de parada de emergencia (Rojo)	
Autenticación	ISO/IEC 14443 Tipo A/B RFID para autenticación del usuario	
Interfaz de red	Ethernet (estándar); Celular (opcional, Micro SIM card)	
Temperatura de funcionamiento	-22°F a 122°F (-30°C a 50°C)	
Humedad	< 95% de humedad relativa, sin condensación	
Altitud	Hasta 2000 m (6500 pies)	
Nominal de entrada	IP55	
Nominal IK	IK08 según la IEC62262	
Enfriamiento	Aire forzado	
Cable de carga	Standard: 4 m Opcional: IEC CCS DC 7 m	
Dimensiones (W x H x D)	680 x 430 x 230 mm (27 x 17 x 9 pulgadas)	
Peso	43 kg (95 libras), excluido el enchufe y el cable	
Certificados	IEC 61851-1, IEC 61851-23	
Compatibilidad electromagnética:	IEC16000, clase B Parte 15 de la FCC, clase B	





Stacja ładowania DC Wallbox

Podręcznik instalacji i obsługi



Wersja: 1.2.0

Data wydania: 2020/03

SPIS TREŚCI

Wstęp	1
Charakterystyki	1
Zastosowanie	2
Ważne instrukcje w zakresie bezpieczeństwa i okablowania	3
Wybór miejsca instalacji	3
Bezpieczeństwo i zgodność z przepisami	3
Ochrona przeciwpożarowa	4
Higiena i bezpieczeństwo pracy	4
Okablowanie obsługowe	5
Przygotowanie do montażu	6
Wymagania dotyczące bezpieczeństwa	6
Elementy zestawu	6
Zalecane narzędzia	7
Montaż stacji ładowania DC Wallbox	8
Wykonanie połączeń	11
Obsługa	18
Konfiguracja systemu	20
Konfiguracja 3G	21
Aktualizacje oprogramowania sprzętowego	21
Konserwacja urządzenia	22
Gwarancja	22
Ogólne wymagania gwarancyjne	22
Utylizacja	22
Kody w systemie	23
Rozwiązywanie problemów	27
Dane techniczne	28

Oznaczenia

Ogólne oznaczenia

W niniejszym dokumencie używane są następujące oznaczenia:



Uwaga:

Przekazuje dodatkowe informacje ważne z punktu widzenia bieżącego procesu lub procedury.



OSTRZEŻENIE!

Ostrzeżenia umieszczone są przed fragmentem, którego dotyczą, w celu poinformowania o konieczności zapoznania się z ich treścią, co umożliwi uniknąć uszkodzenia urządzenia lub wyposażenia.



OSTROŻNIE!

OZNACZENIE „OSTROŻNIE” UMIESZCZONE JEST PRZED FRAGMENTEM, KTÓREGO DOTYCZY. TEKST TEGO TYPU OSTRZEŻENIA PISANY JEST WIELKIMI LITERAMI, ABY PODKREŚLIĆ ZNACZENIE KOMUNIKATU ZAWIERAJĄCEGO INFORMACJE WAŻNE Z PUNKTU WIDZENIA BHP.

Krój pisma

W niniejszym dokumencie używane są następujące konwencje dotyczące kroju pisma:

Kursywa

Kursywą pisane są tytuły publikacji, nazwy katalogów, nazwy plików, nazwy ścieżek dostępu oraz nazwy programów/procesów..

Tekst o stałej szerokości

Ten krój pisma jest stosowany do ukazania danych wyjściowych komputera, łącznie z menu, instrukcjami na ekranie, reakcjami na wprowadzenie danych oraz komunikatami o błędach.

Pogrubiony tekst o stałej szerokości

Ten krój pisma stosowany jest do ukazania poleceń lub informacji wprowadzanych przez użytkownika do komputera. Zmienne w danych wprowadzanych przez użytkownika ukazywane są w nawiasach ostrych (< >).

Pogrubiona kursywa.

Ten krój pisma ukazuje klawisze klawiatury naciskane przez użytkownika..

Prawa autorskie

Prawo własności oraz wszelkie prawa własności intelektualnej dotyczące niniejszego podręcznika instalacji i obsługi („podręcznik”), łącznie z umieszczoną w nim treścią, danymi i rysunkami, należą do Delta Electronics, Inc. („Delta”). Niniejszy podręcznik można wykorzystywać jedynie do obsługi lub eksploatacji niniejszego produktu. Wszelkie przekazywanie, powielanie, rozpowszechnianie, reprodukcja, zmiana, opracowywanie wyciągów z treści dokumentu oraz jakiegokolwiek inne wykorzystanie podręcznika bez uzyskania uprzedniej pisemnej zgody Delta jest zakazane. Biorąc pod uwagę stały rozwój i doskonalenie produktu, Delta zastrzega sobie prawo do wprowadzania modyfikacji i aktualizacji do niniejszego podręcznika bez uprzedniego powiadomienia. Delta podejmie wszelkie działania mające na celu aktualizację podręcznika i zachowanie precyzji podanych w nim informacji. Delta zrzeka się wszelkich form gwarancji lub zobowiązań, dorozumianych lub jawnych, łącznie z tymi, które dotyczą kompletności, dokładności, nienaruszania przepisów, przydatności handlowej oraz przydatności do określonego celu lub sposobu wykorzystania.

Copyright © Delta Electronics, Inc. Wszelkie prawa zastrzeżone.

Wstęp

Stacja ładowania DC Wallbox to obecnie wiodący produkt w branży BEV (pojazdy w pełni elektryczne) oraz PHEV (hybrydowe pojazdy elektryczne typu plug-in). Została ona zaprojektowana z myślą o szybkim ładowaniu pojazdów na terenach publicznych i prywatnych, np. na parkingach sklepowych i w obiektach komercyjnych, stacjach ładowania floty pojazdów, miejscach odpoczynku podróżnych przy drogach szybkiego ruchu, w miejscu pracy i w miejscu zamieszkania użytkownika itd.

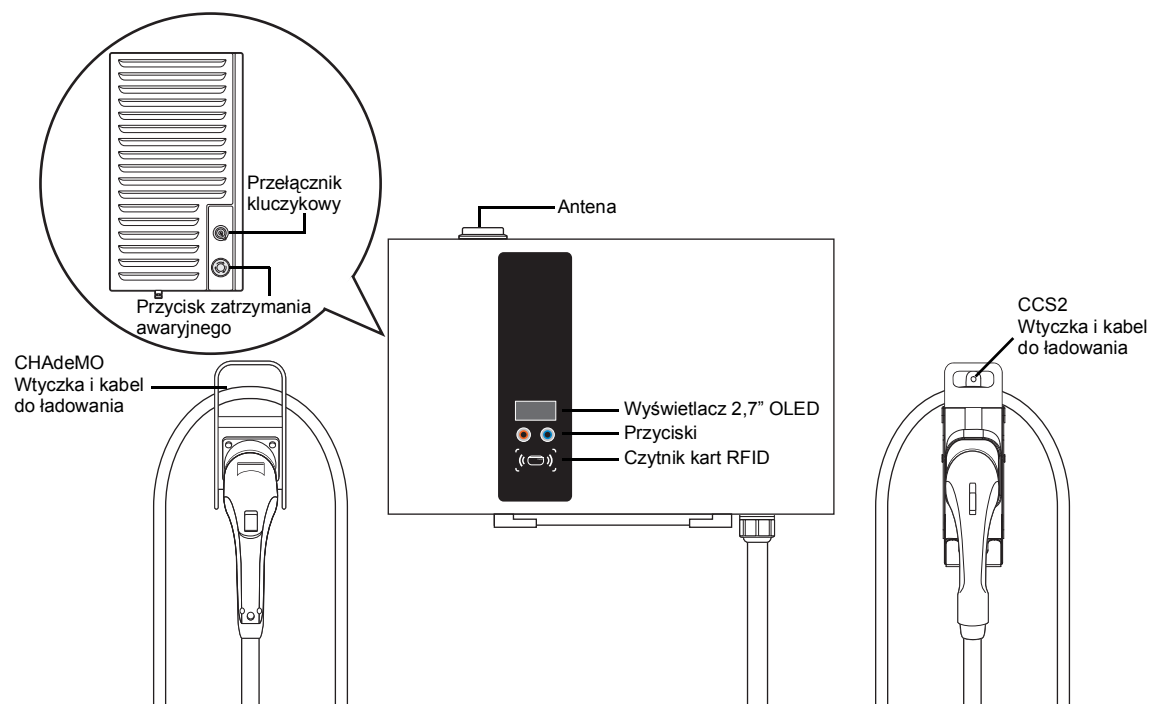
Jedną z zalet stacji ładowania DC Wallbox jest bardzo prosty montaż. Przystosowanie do montażu naściennego oraz podłączane moduły zasilające umożliwiają elastyczną i efektywną kosztowo instalację w różnych miejscach. Stacja ładowania DC Wallbox posiada także funkcję łączności sieciowej, która umożliwia łączenie się ze zdalnymi systemami sieciowymi w celu dostarczenia kierowcom samochodów elektrycznych informacji w czasie rzeczywistym, tj. dotyczących lokalizacji stacji ładowania, procesu ładowania oraz opłat za ładowanie pojazdu. Stacja ładowania DC Wallbox wyposażona jest w czytelny interfejs użytkownika z przyciskami funkcyjnymi, system zabezpieczeń zasilania oraz doskonałą technologię zapewniającą jej wodo- i pyłoszczelność, co sprawia, że jest ona idealnym rozwiązaniem do montażu zewnętrznego. Można ją także integrować z układami energii odnawialnej, np. z systemem zasilania energią słoneczną lub wiatrową, w celu stworzenia najbardziej energooszczędnej infrastruktury do rozwoju systemów EV.

Charakterystyki

- Konstrukcja przeznaczona do montażu naściennego oraz podłączane moduły zasilania zapewniają łatwy i elastyczny montaż.
- Wygodne sterowanie rozpoczęciem i zakończeniem procesu ładowania przy użyciu autoryzowanej inteligentnej karty RFID.
- Konstrukcja wykonana zgodnie z najnowszymi normami branżowymi w zakresie urządzeń do ładowania prądem stałym (DC Mode 4).
- Konstrukcja do użytku zewnętrznego chroniąca przed wpływem ciał stałych i cieczy w warunkach zewnętrznych, co zapewnia doskonałą stabilność i niezawodność układu.
- Interfejs ekranowy OLED o wysokim kontraście, z wielofunkcyjnymi przyciskami.
- Ze złączem CCS2 i/lub CHAdeMO charging

Zastosowanie

- Parkingi publiczne i prywatne
- Miejsca parkingowe na osiedlach
- Parkingi przy hotelach, supermarketach i centrach handlowych
- Miejsca parkingowe w miejscu pracy
- Stacje ładowania
- Miejsca odpoczynku podróżnych przy drogach szybkiego ruchu



Ważne instrukcje w zakresie bezpieczeństwa i okablowania

Wybór miejsca instalacji

Stacja ładowania DC Wallbox może być instalowana wewnątrz oraz na zewnątrz budynków. W miejscu instalacji konieczne jest uwzględnienie warunków oraz bezpieczeństwa instalacji:

- Przestrzeganie lokalnych przepisów oraz norm dotyczących instalacji elektrycznych Uwzględnienie dróg ewakuacyjnych w miejscu instalacji.
- Urządzenie nie może być instalowane w strefie zagrożenia wybuchem (strefy Ex).

Bezpieczeństwo i zgodność z przepisami

- Przed rozpoczęciem montażu lub użytkowania urządzenia należy ze zrozumieniem zapoznać się z treścią niniejszego podręcznika.
- Nie wkładać narzędzi, materiałów lub części ciała do złącza elektrycznego pojazdu.
- Nie korzystać ze stacji ładowania DC Wallbox w przypadku, gdy takie elementy jak widoczne uszkodzenie obudowy, przewód zasilający lub kabel ładujący są postrzępione, ich izolacja jest przerwana lub wykazują one oznaki innych uszkodzeń.
- Nie montować stacji ładowania DC Wallbox kiedy obudowa stacji jest pęknięta, otwarta lub wykazuje inne oznaki uszkodzeń.
- Jedynie wykwalifikowany personel techniczny może wykonywać montaż stacji ładowania DC Wallbox. Serwis powinien być prowadzony zgodnie z wymogami bezpieczeństwa i higieny pracy oraz ergonomii, z uwzględnieniem instrukcji zawartych w niniejszej dokumentacji.
- Informacje podane w niniejszym podręczniku w żaden sposób nie zwalniają użytkownika z stosowania się do wymogów. Serwis powinien być prowadzony zgodnie z wymogami bezpieczeństwa i higieny pracy oraz ergonomii, z uwzględnieniem instrukcji zawartych w niniejszej dokumentacji.
- Producent nie ponosi odpowiedzialności za ewentualne urazy, uszkodzenia mienia oraz wyposażenia wynikające z montażu urządzenia.
- Niniejszy dokument zawiera instrukcje dotyczące stacji ładowania DC Wallbox i nie można go stosować w odniesieniu do jakiegokolwiek innego produktu. Przed montażem lub eksploatacją należy dokładnie zapoznać się z treścią niniejszego podręcznika oraz skonsultować się z licencjonowanym wykonawcą, licencjonowanym elektrykiem lub odpowiednio wyszkolonym technikiem montażowym w celu zapewnienia zgodności z wymogami lokalnych przepisów i norm bezpieczeństwa.

Ochrona przeciwpożarowa



OSTRZEŻENIE!

Niebezpieczeństwo uszkodzenia stacji ładowania wskutek wadliwie lub nieprawidłowo przeprowadzonych czynności instalacyjnych. Wadliwie lub nieprawidłowo przeprowadzone czynności instalacyjne mogą doprowadzić do przegrzania kabli i zacisków oraz spowodować powstanie łuku elektrycznego. Może to skutkować uszkodzeniami termicznymi, które z kolei mogą prowadzić do pożarów.

Podczas podłączania kabli prądu przemiennego należy przestrzegać następujących zasad:

- Wszystkie zaciski przyłączeniowe dokręcać momentem obrotowym podanym w instrukcji obsługi.
- Wszystkie zaciski uziemiające (PE/GND), w tym wolne zaciski uziemiające, dokręcać momentem obrotowym podanym w instrukcji obsługi.
- Nie przeciążać kabli.
- Sprawdzać kable pod kątem uszkodzeń i prawidłowego ułożenia.
- Przestrzegać wskazówek bezpieczeństwa, instrukcji obsługi oraz uwzględniać lokalne warunki przyłączeniowe.



OSTRZEŻENIE!

Niebezpieczeństwo porażenia prądem elektrycznym lub uszkodzenia ciała. Przed przystąpieniem do pracy wewnątrz urządzenia lub demontażu jakiegokolwiek elementu należy wyłączyć zasilanie na tablicy rozdzielczej lub dystrybucyjnej. Nie wolno usuwać urządzeń zabezpieczających obwody lub innych komponentów, dopóki nie zostanie wyłączone zasilanie.

Higiena i bezpieczeństwo pracy

- Stacja ładowania DC Wallbox powinna być montowana i obsługiwana tylko przez wykwalifikowanego technika.
- Serwis powinien być prowadzony zgodnie z wymogami bezpieczeństwa i higieny pracy oraz ergonomii, zgodnie z instrukcjami zawartymi w niniejszej dokumentacji.
- Stacja ładowania DC Wallbox spełnia wymagania określone w przepisach poprzez zastosowanie dedykowanych urządzeń i systemów:
 - Przycisk zatrzymania awaryjnego (EPO) EPO jest dostępny w celu zatrzymania pracy stacji ładowania DC Wallbox w sytuacji awaryjnej.
 - Osłony uniemożliwiające bezpośredni dostęp do strefy niebezpiecznej (wysokie napięcie) uniemożliwiają bezpośrednie dotknięcie elementów pod napięciem
 - Oznakowania znakami i barwami bezpieczeństwa
- Operator stacji ładowania zobowiązany jest do:
 - aby czynności związane z instalacją oraz eksploatacją ultraszybką stacji ładowania wykonywane były przez pracowników upoważnionych i posiadających odpowiednie przygotowanie
 - utrzymywania stacji ładowania w stanie sprawności technicznej i czystości zapewniającej użytkowanie bez szkody dla bezpieczeństwa

Okablowanie obsługowe

Uziemienie stacji ładowania

Przewód zerowy należy zawsze podłączać do uziemienia stacji. Jeśli stacja nie posiada uziemienia, należy w pobliżu zainstalować uziom. Następnie należy go podłączyć do zacisku uziemiającego na płycie wyłącznika głównego, a przewód zerowy podłączyć do uziemienia w tym punkcie.

Przekrój przewodu ochronnego (PE) sieci zasilającej powinien wynosić przynajmniej 10 mm² (przewód miedziany).

380V - 415V, trzy fazy



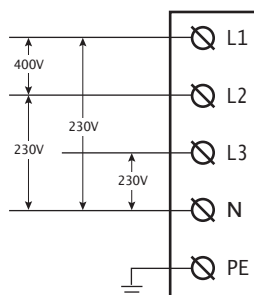
OSTRZEŻENIE!

Zasilanie stacji z sieci trójfazowej typu „gwiazda”. Stację DC Wallbox należy podłączyć do L1, L2 oraz L3 oraz przewodu neutralnego. Uziemienie stacji należy wykonać w jednym punkcie.



OSTRZEŻENIE!

Uziemienie należy wykonać przed podłączeniem zasilania



200V - 230V, trzy fazy



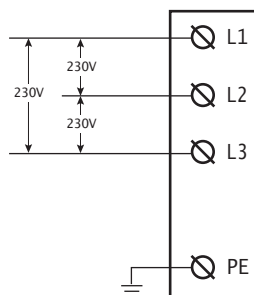
OSTRZEŻENIE!

Poniższy schemat ukazuje podłączenie DC Wallbox do L1, L2 oraz L3 z sieci trójfazowej typu „trójkąt”. Uziemienie należy podłączyć do przewodu uziemiającego tylko w jednym punkcie.



OSTRZEŻENIE!

Uziemienie należy wykonać przed podłączeniem zasilania.

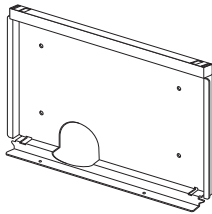


Przygotowanie do montażu

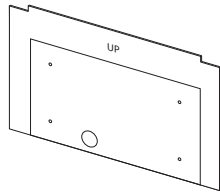
Wymagania dotyczące bezpieczeństwa

- Przed rozpoczęciem montażu stacji ładowania DC Wallbox należy zapoznać się ze standardowymi procedurami operacyjnymi (SOP) oraz odpowiednimi lokalnymi przepisami budowlanymi i elektrycznymi.
- Stacja ładowania DC Wallbox musi zostać zamontowana przez wykwalifikowanego technika, zgodnie z niniejszym podręcznikiem oraz lokalnymi przepisami w zakresie bezpieczeństwa.
- Podczas podłączania zasilania należy zapewnić odpowiednie środki ochrony.
- Rozłącznik linii zasilającej AC powinien być zgodny z normą IEC 61851-1. Rozłącznik nie jest częścią dostawy stacji ładowania.
- W przypadku wejścia trójfazowego, 4-przewodowego, 380 V AC - 415 V AC należy zastosować w rozdzielni zasilającej wyłącznik typu C lub D wraz z 4-biegunowym wyłącznikiem różnicowo-prądowym (RCD) typu A 30mA. Wartość prądu znamionowego wyłącznika powinna wynosić 50A.
- W przypadku wejścia trójfazowego, 3-przewodowego, 200 V AC - 230 V AC należy zastosować w rozdzielni zasilającej wyłącznik typu C lub D wraz z 3-biegunowym wyłącznikiem różnicowo-prądowym (RCD) typu A 30mA. Wartość prądu znamionowego wyłącznika powinna wynosić 100A.

Elementy zestawu



Uchwyt montażowy x 1



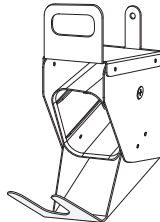
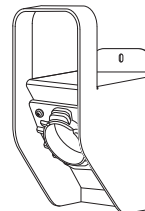
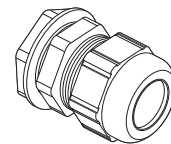
Szablon montażowy x 1



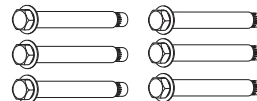
Karta RFID x 2



Klucze x 2

Podręcznik
użytkownika x 1Uchwyt na wtyczkę
CCS2 x 1Uchwyt na wtyczkę
CHAdeMO x 1 (tylko
model z podwójnym
wyjściem)

Dławik kablowy x 1

Torebka ze śrubami do
uchwytów x 2
(ŚRUBA M M6*1*8
PAN TORX SUS NL)Torebka ze śrubami do
uziemienia x 1
(ŚRUBA M M6*1*12
HEXH C S+P S20C
ZN-NI)Torebka kołków
rozporowych x 6 (+2
dla modelu z
podwójnym wyjściem)
(KOTWA SUS 16*50.8
PICKLING)

Zalecane narzędzia

Poniższe narzędzia są zalecane do montażu stacji ładowania DC Wallbox:

- (1x) Woltomierz lub cyfrowy multimetr
- (1x) Poziomnica wodna
- (1x) Młotek
- (1x) Wiertarka do betonu
- (1x) Szczypce do cięcia drutu/usuwania izolacji
- (1x) Śrubokręt Torx® Tamper-Resistant T15 i T25
- (1x) Śrubokręt płaski nr 8 oraz klucz nasadowy
- (1x) Śrubokręt płaski nr 6
- (1x) Śrubokręt krzyżowy nr 2
- (1x) Śrubokręt krzyżowy nr 3
- (1x) Koncentrator kablowy M50, kanał kablowy i klucz do głównych przewodów zasilania
- (1x) Koncentrator kablowy M25, kanał kablowy i klucz do sieci Ethernet
- (4x) Zacisk pierścieniowy RNB14-6 do przewodu L1/L2/L3/N (przewód miedziany 14 mm²) w modelach z zasilaniem 3-fazowym, 380 V - 415 V
- (3x) Zacisk pierścieniowy RNB38-6 do przewodu L1/L2/L3/N (przewód miedziany 38 mm²) w modelach z zasilaniem 3-fazowym, 200 V - 230 V
- (1x) Zacisk pierścieniowy RNB14-6 do przewodu PE/uziomowego (przewód miedziany 14 mm²)

Ważne informacje na temat bezpieczeństwa. Zachować niniejszą instrukcję.

- Montaż stacji ładowania DC Wallbox powinien zostać wykonany jedynie przez licencjonowanego wykonawcę i/lub licencjonowanego elektryka, zgodnie ze wszystkimi obowiązującymi, lokalnymi i krajowymi przepisami i normami dotyczącymi urządzeń elektrycznych.
- Przed montażem stacji ładowania DC Wallbox należy dokładnie zapoznać się z treścią niniejszego podręcznika oraz skonsultować się z licencjonowanym wykonawcą, licencjonowanym elektrykiem lub odpowiednio wyszkolonym technikiem montażowym w celu zapewnienia zgodności z lokalnymi praktykami budowlanymi, warunkami pogodowymi w danej lokalizacji oraz wymogami lokalnych przepisów i norm bezpieczeństwa.



OSTRZEŻENIE!

Ryzyko porażenia prądem lub urazu. Przed wykonaniem pracy w urządzeniu lub demontażem dowolnego podzespołu należy wyłączyć zasilanie stacji w rozdzielni zasilającej. Do chwili wyłączenia zasilania nie demontować zabezpieczeń lub innych podzespołów.



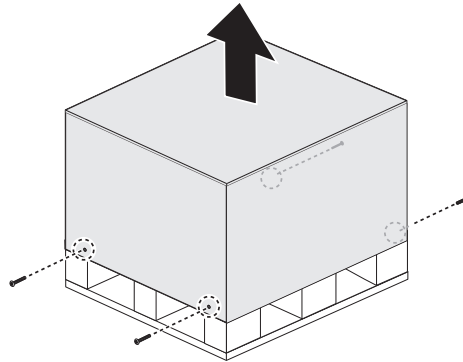
OSTROŻNIE!

ABY UNIKNĄĆ USZKODZENIA STACJI ŁADOWANIA LUB URAZU, NALEŻY SPRAWDZIĆ, CZY NOŚNOŚĆ MIEJSCA MONTAŻU ODPOWIADA MASIE STACJI ŁADOWANIA DC WALLBOX.

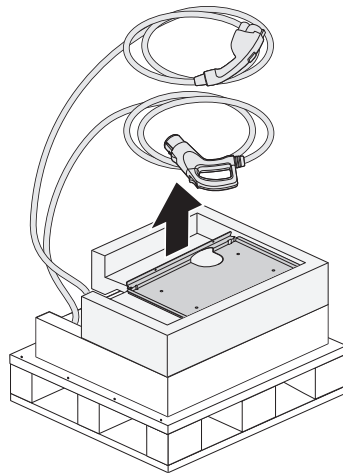
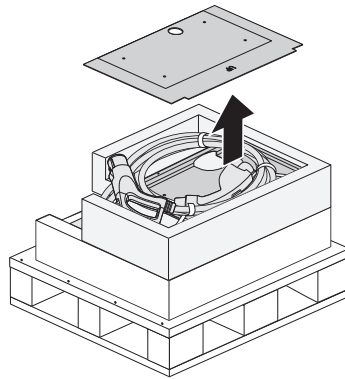
Montaż stacji ładowania DC Wallbox

Przygotowanie

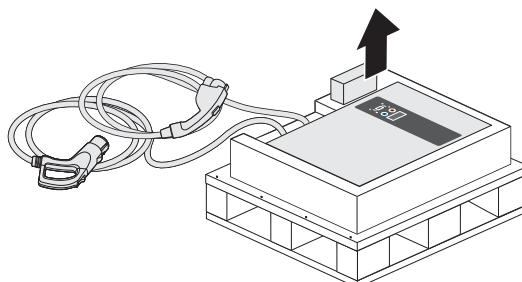
1. Poluzować śruby na skrzyni (po obu stronach) za pomocą klucza nasadowego nr 8.
2. Otworzyć pokrywę skrzyni ze sklejki.



3. Wyjąć szablon montażowy i odciąć opaski zaciskowe, aby uzyskać dostęp do wtyczki stacji ładowania.



4. Zdjąć górną osłonę piankową, otworzyć plastikową torbę i wyjąć z niej urządzenie.



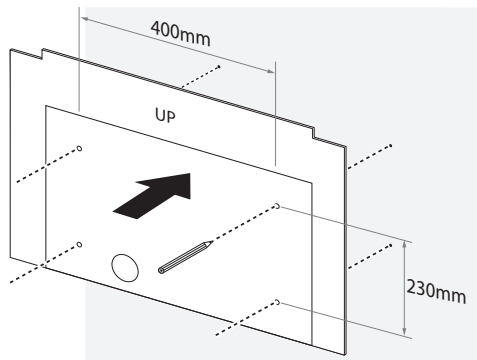


Uwaga:

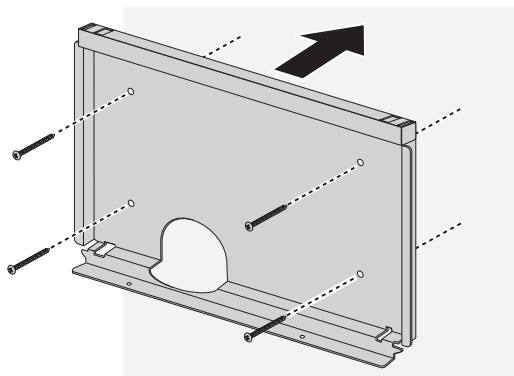
Na tym etapie należy ostrożnie umieścić urządzenie i wtyczkę ładującą na podłożu lub płaskiej powierzchni.

Montaż naścienny

1. Za pomocą szablonu i poziomicy wyznaczyć pozycję montażu.



2. Zamontować uchwyt na ścianie.



Uwaga:

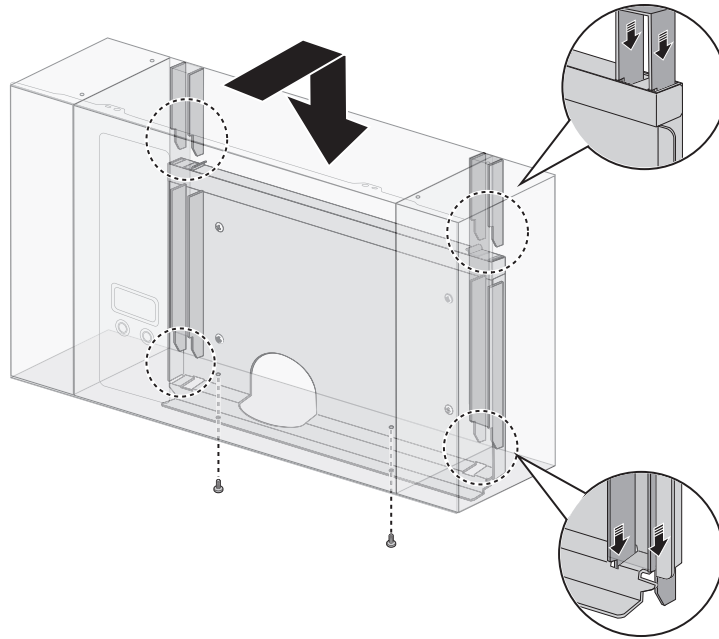
- **Urządzenie należy zamontować na litej ścianie (najlepiej betonowej lub metalowej).**
- Do montażu na różnych typach ścian należy stosować odpowiednie kołki rozporowe umieszczone i śruby mocujące. W wielu przypadkach konieczne będzie użycie wiertarki.
- Należy stosować się do określonych wymogów związanych z dostępnością miejsca montażu. Urządzenie należy zamontować na odpowiedniej wysokości nad poziomem gruntu tak aby zakres wysokości przechowywania wynosił od **60 cm do 120 cm** od poziomu gruntu, zgodnie z NEC, art. 625.



OSTRZEŻENIE!

Aby zapewnić odpowiednią wentylację i dostęp obsługowy, należy pozostawić pustą przestrzeń o wielkości przynajmniej 45 cm po obu stronach stacji ładowania.

3. Umieścić urządzenie na uchwycie. Wyrównać tylną część obudowy urządzenia w odniesieniu do odpowiedniej szczeliny uchwytu. Powoli opuszczać urządzenie, aż bezpiecznie osiadzie na wsporniku. Wkręcić dwie śruby od dołu zespołu.



Uwaga:
Dolne śruby mocujące znajdują się w zestawie akcesoriów.

Wykonanie połączeń

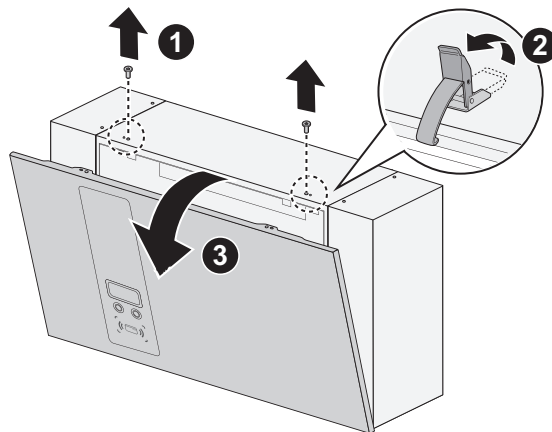


OSTRZEŻENIE!

Do dokręcania lub odkręcania śrub należy używać wyłącznie śrubokrętu typu **Torx® Tamper-Resistant T15**. Użycie innego narzędzia może skutkować uszkodzeniem śrub i płyty.

Okablowanie

1. Otworzyć pokrywę przednią w celu wykonania połączeń.
 - a. Odkręcić dwie górne śruby.
 - b. Zwolnić dwa zatrzaski w celu otwarcia pokrywy przedniej.
 - c. Delikatnie zdjąć i odłożyć pokrywę przednią.



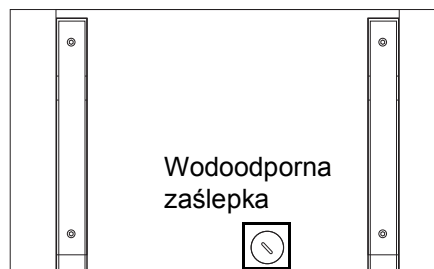
2. Przewody zasilające można poprowadzić od dołu lub od tyłu obudowy.
Wybrać miejsce prowadzenia przewodów zasilających.

Przewody prowadzone od dołu:

- a. Poprowadzić przewody od spodu urządzenia. Przed zabezpieczeniem sprawdzić, czy przewody swobodnie dochodzą do złączy.
- b. Zamocować przewody - patrz kolejny krok procedury.

Przewody prowadzone od tyłu:

- a. Zdjąć wodoodporną zaślepkę z tylnej części obudowy i umieścić ją w otworze na przewody, w dolnej części obudowy.



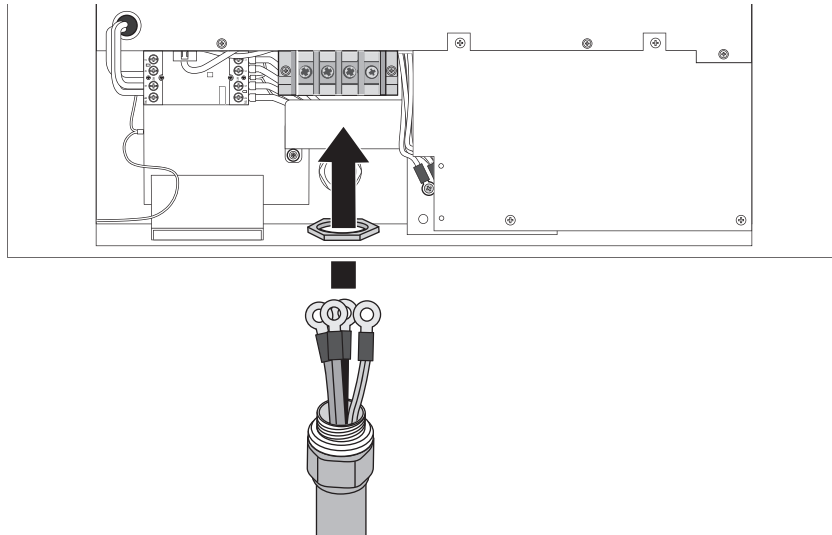
- b. Wykonać poniższe czynności.



OSTROŻNIE!

PROWADZENIE PRZEWODÓW OD TYŁU OBUDOWY MOŻE SKUTKOWAĆ JEJ NIESZCZELNOŚCIĄ. NIE STOSOWAĆ TEGO TYPU POŁĄCZEŃ, GDY URZĄDZENIE MA BYĆ EKSPLOATOWANE W WARUNKACH ZEWNĘTRZNYCH

3. Zamocować dławik kablowy, aby zabezpieczyć przewody.



Uwaga:

Aby zapewnić ochronę przed działaniem czynników pogodowych, należy stosować **certyfikowane dławiki kablowe o stopniu ochrony IP55 (lub wyższym)**.

4. Zdjąć pokrywę listwy zaciskowej i podłączyć przewody do odpowiednich zacisków. Poniżej znajdują się informacje na temat podłączania poszczególnych modeli.

Wymagania dotyczące okablowania różnią się w zależności od typu modelu oraz w przypadku montażu modelu 1- lub 3-fazowego.

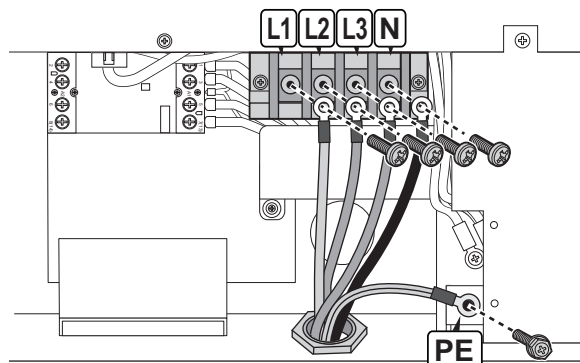


OSTRZEŻENIE!

Kolorowe oznaczenia przewodów mogą różnić się, w zależności od regionu.

Model trójfazowy

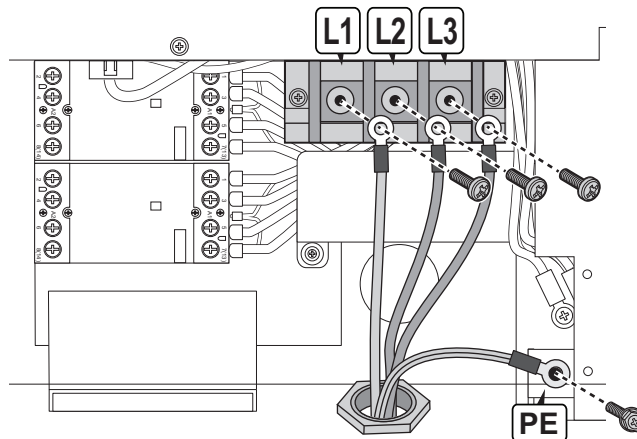
Okablowanie 380 V AC - 415 V AC



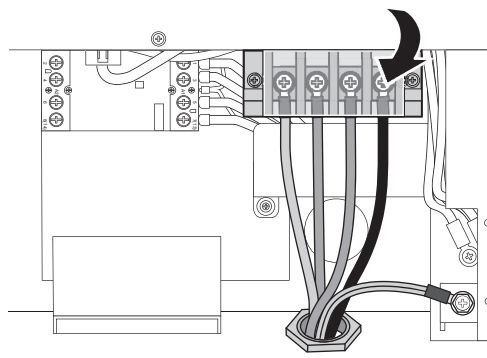
- Stosować koncentratory i kanały kablowe o wielkości M50, zgodnie z EN 61386-24.

- Podłączyć przewody zasilające czterech zacisków pierścieniowych RNB14-6 do końcówek oczkowych zacisku wejściowego oznaczonych jako „L1”, „L2”, „L3” oraz „N”, za pomocą 4 śrub M6.0, stosując moment obrotowy 33 kg-cm.
- Podłączyć przewód uziemienia RNB14-6 do zacisku uziemienia oznaczonego symbolem (⊕) za pomocą 1 śruby M6.0, stosując moment obrotowy 20 kg-cm..

Okablowanie 200 V AC - 230 V AC



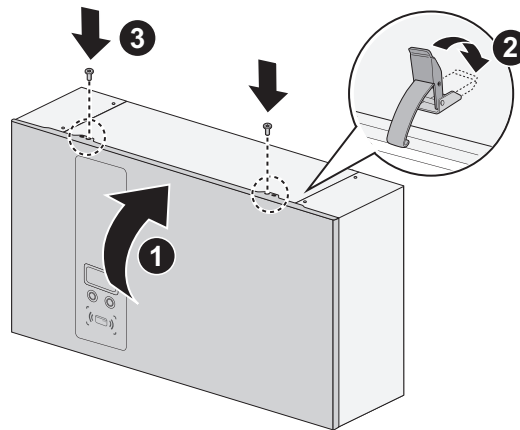
- Stosować koncentratory i kanały kablowe o wielkości M50, zgodnie z EN 61386-24.
 - Podłączyć przewody zasilające trzech zacisków pierścieniowych RNB38-6 do końcówek oczkowych zacisku wejściowego oznaczonych jako „L1”, „L2” oraz „L3”, za pomocą 3 śrub M6.0, stosując moment obrotowy 33 kg-cm.
 - Podłączyć przewód uziemienia RNB14-6 do zacisku uziemienia oznaczonego symbolem (⊕) za pomocą 1 śruby M6.0, stosując moment obrotowy 20 kg-cm.
5. Zamocować każdy przewód odpowiednią śrubą. Dokręcać odpowiednim momentem obrotowym. Patrz informacje podane w dokumentacji.
 6. Założyć pokrywę na listwę zaciskową.



OSTROŻNIE!

PRZED MONTAŻEM KANAŁ KABLOWY MUSI ZOSTAĆ WYRÓWNANY W ODNIESIENIU DO OTWORU NA PRZEWODY WEJŚCIOWE STACJI ŁADOWANIA DC WALLBOX. NIEZASTOSOWANIE SIĘ DO POWYŻSZEGO MOŻE SKUTKOWAĆ USZKODZENIEM OKABLOWANIA LUB STACJI ŁADOWANIA.

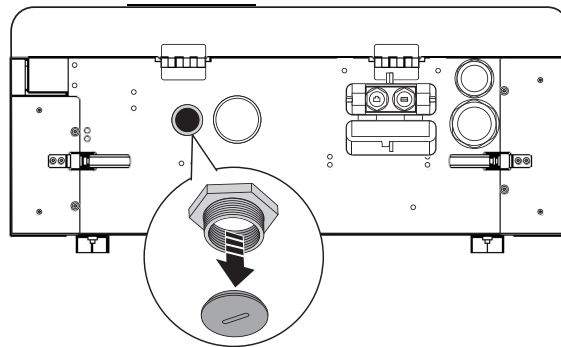
7. Założyć pokrywę przednią i odpowiednio zamocować śruby.



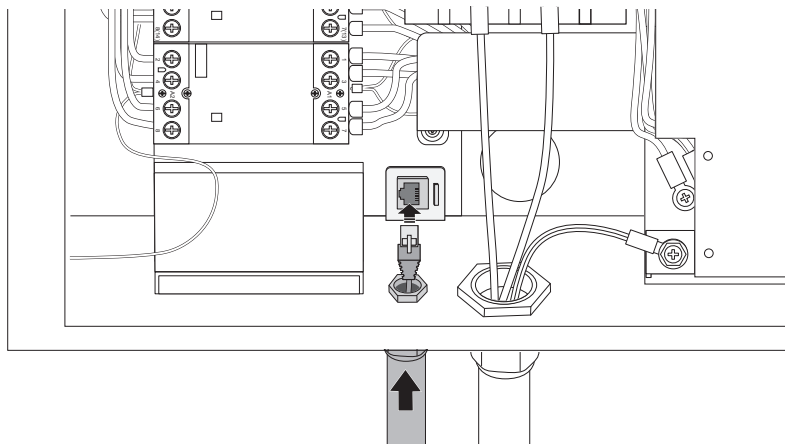
Połączenie z siecią Ethernet

Połączenie z siecią Ethernet zaleca się wykonać przewodami poprowadzonymi poprzez dolne otwory dostępne. Należy otworzyć pokrywę przednią.

1. Zdjąć wodoodporną zaślepkę z otworu dostępowego połączenia z siecią Ethernet.



2. Umieścić przewód sieciowy w otworze i podłączyć go do zacisku.
3. Odpowiednio zamocować kanał lub dławik kablowy.

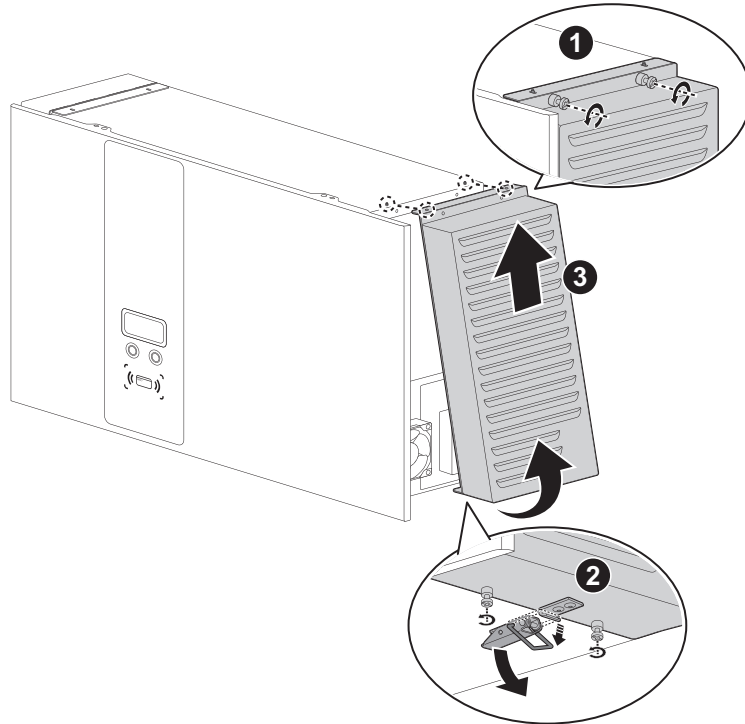


Uwaga:

Aby zapewnić ochronę przed działaniem czynników pogodowych, należy stosować certyfikowane dławiki kablowe o stopniu ochrony IP55 (lub wyższym).

Złącze 3G

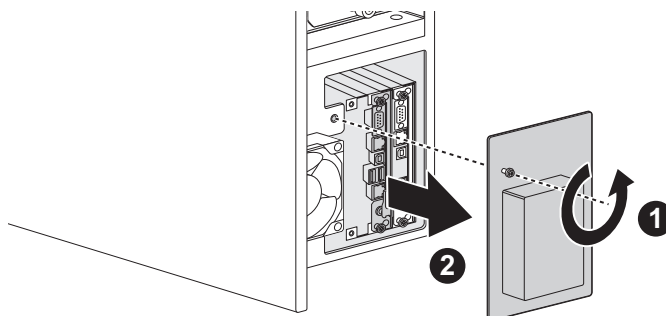
1. Zdjąć pokrywę prawego filtra.
 - a. Zwolnić górne śruby.
 - b. Zwolnić dolne śruby i wyciągnąć zatrzask.
 - c. Otworzyć i wyjąć pokrywę filtra.



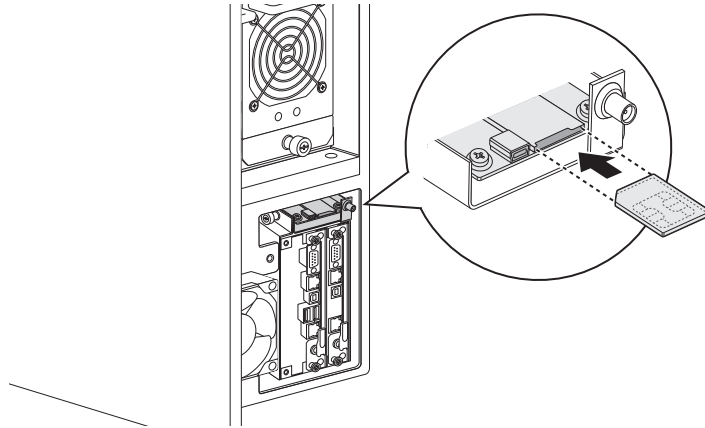
OSTRZEŻENIE!

Do dokręcania lub odkręcania śrub urządzenia należy używać wyłącznie śrubokrętu typu **Torx® Tamper-Resistant T25**. Użycie innego narzędzia może skutkować uszkodzeniem śrub i płyty.

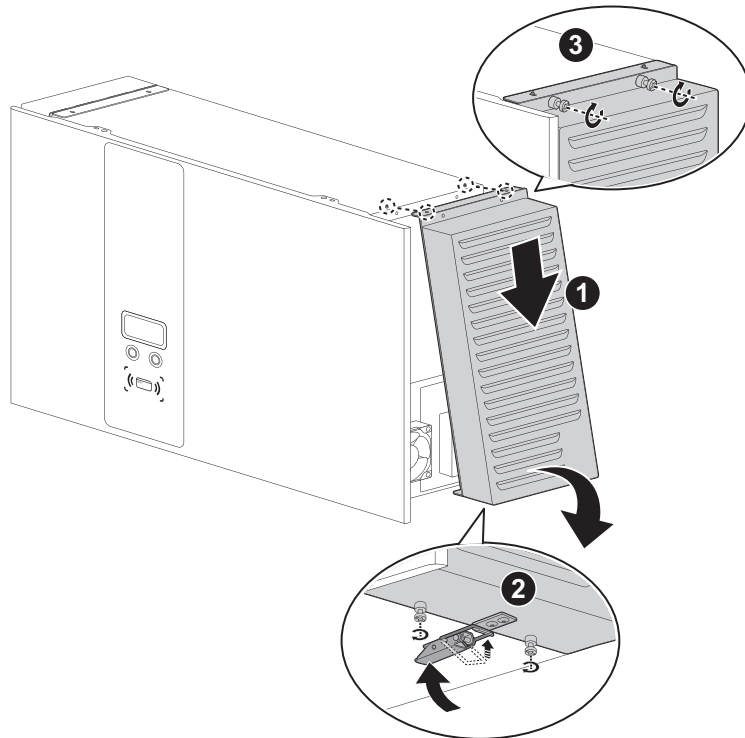
2. Zdjąć pokrywę ochronną po prawej stronie.



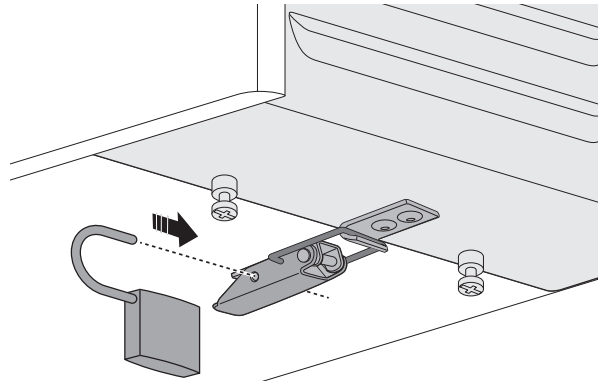
3. Umieścić kartę mikro SIM w płycie 3G. Zamocować pokrywę ochronną.



4. Założyć pokrywę prawego filtra.
- Zawiesić filtr na urządzeniu.
 - Pociągnąć w dół kołek i założyć pokrywę filtra.
 - Dokręcić dolne śruby.
 - Dokręcić górne śruby.

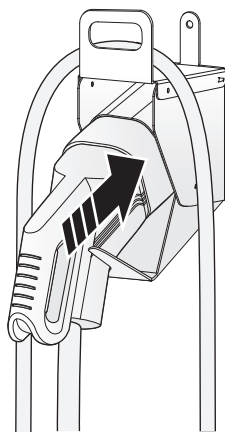


- e. **Clos**Zamknij zatrzask na dole. Zatrzask ma otwór o średnicy 3,3 mm, w który można włożyć kłódkę, aby zapobiec manipulacji.

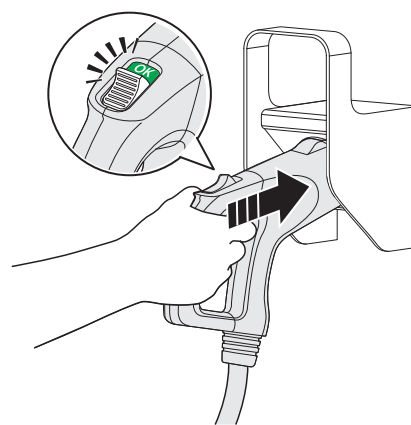


Ustawienie wtyczki ładującej

1. Zamontować uchwyt na wtyczkę ładującą na ścianie.
2. Odpowiednio umieścić kabel i wtyczkę na uchwycie.



IEC DC (CCS2)



CHAdeMO – modele z podwójnym wyjściem

3. Po wykonaniu wszystkich niezbędnych czynności włączyć zasilanie i przekręcić kluczyk aby aktywować DC Wallbox.

Włączanie stacji ładowania DC Wallbox

1. Włączyć zasilanie i przekręcić kluczyk w celu zainicjowania programu stacji ładowania DC Wallbox.
2. Poczekać na uruchomienie stacji ładowania DC Wallbox.
3. Stacja ładowania DC Wallbox jest gotowa do ładowania.

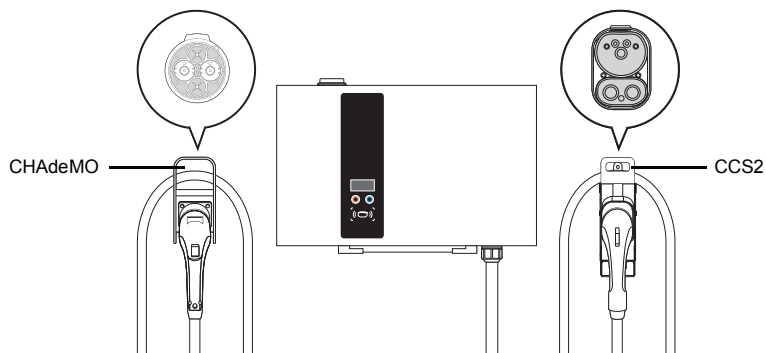


OSTRZEŻENIE!

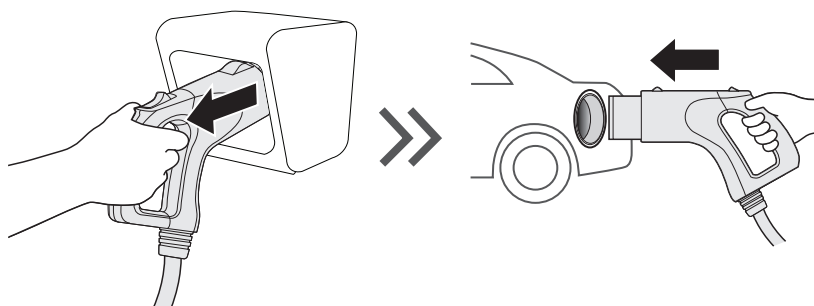
W sytuacji awaryjnej nacisnąć przycisk zatrzymania po lewej stronie, aby zatrzymać proces ładowania (Zdjęcie).

Obsługa

1. Wybrać język obsługi.
2. Wybrać kompatybilną wtyczkę (CCS lub CHAdeMO).



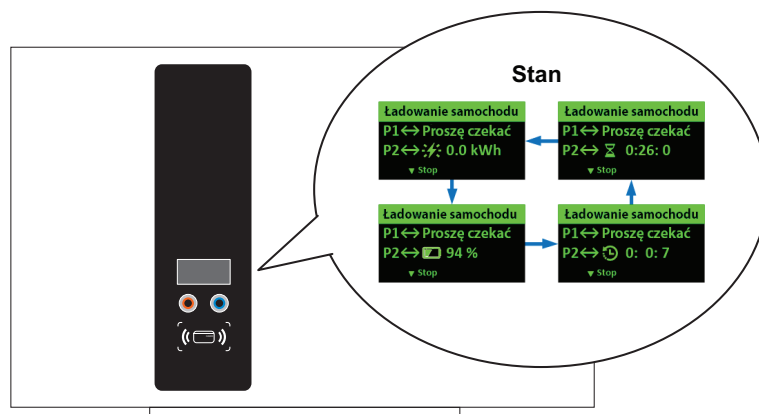
3. Podłączyć wtyczkę do pojazdu elektrycznego (EV).



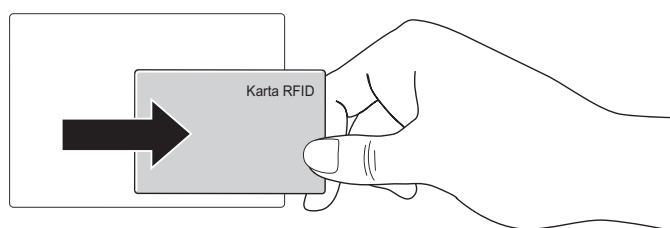
4. Przeciągnąć autoryzowaną kartę RFID aby rozpocząć ładowanie. Z autoryzowanego RFID można korzystać bezpośrednio, bez żadnej aktywacji ani konfiguracji.



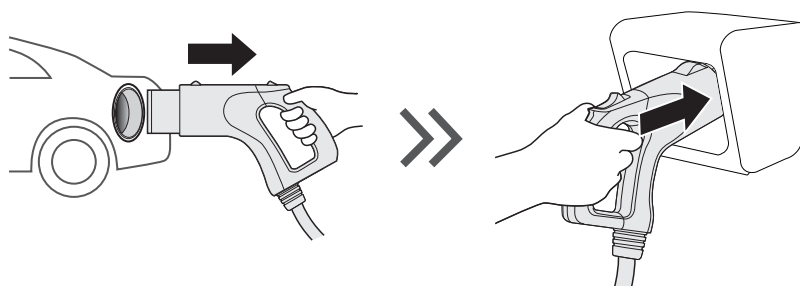
5. Po rozpoczęciu ładowania na ekranie wyświetlane są informacje na temat jego stanu. Na poniższych ilustracjach ukazano przebieg procesu ładowania - od początku do prawie całkowitego zakończenia.



6. Przeciągnąć autoryzowaną kartę RFID aby zakończyć ładowanie.



7. Umieścić wtyczkę w uchwycie.



Konfiguracja systemu

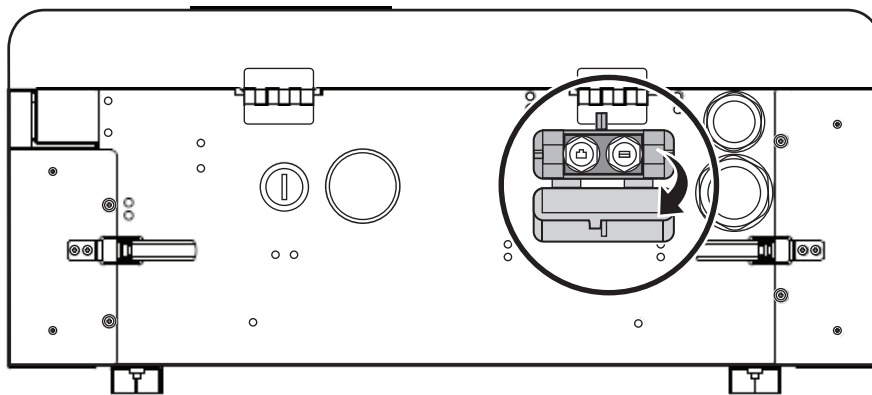


OSTRZEŻENIE!

Stację ładowania można konfigurować jedynie w chwili, gdy nie pracuje ona w trybie ładowania, aby nie przerwać bieżącej procedury ładowania.

Procedura:

1. Skontaktować się z usługodawcą w celu zalogowania się do narzędzia konfiguracyjnego w trybie online.
2. Po zakończeniu konfiguracji skopiować plik parametrów (DeltaDCWallboxConfig) na pamięć USB (format napędu: FAT/FAT32, < 32 GB).
3. Umieścić pamięć USB w porcie na spodzie urządzenia (oznaczonym jako „USB”). Konfiguracja zostanie przesłana do DC Wallbox.



4. Po zakończeniu konfiguracji wyjąć pamięć USB z portu.

**Podłączono USB
Konfiguracja stacji**



**Podłączono USB
Konfiguracja udana**

5. Zamknij pokrywę ochronną. Zatrzask ma otwór w który można włożyć kłódkę, aby zapobiec manipulacji.

Konfiguracja 3G

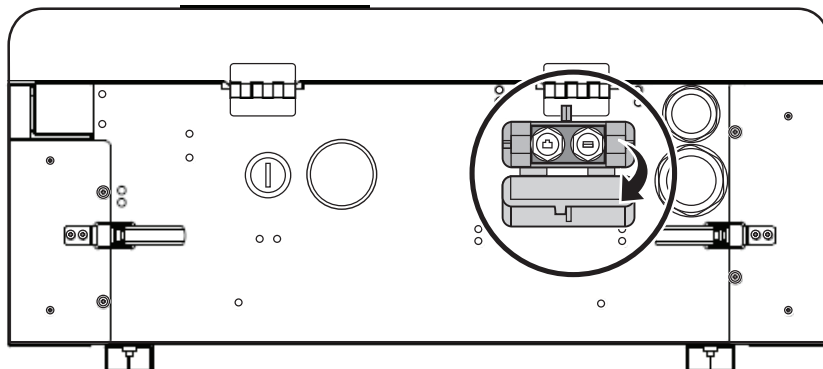
W urządzeniach wyposażonych w modem 3G umieścić poprawną (WCDMA) kartę SIM 3G w sposób opisany powyżej (strona 17), aby rozpocząć połączenie z siecią 3G. Uprzednio należy jednak skontaktować się z lokalnym operatorem, aby aktywować usługę transmisji danych na karcie SIM. Przed umieszczeniem karty w modemie wyłączyć funkcję sprawdzania kodu PIN karty 3G.

Uzyskać informacje na temat APN od operatora i za pomocą narzędzia konfiguracyjnego sprawdzić, czy nazwa punktu dostępu (APN) została odpowiednio skonfigurowana.

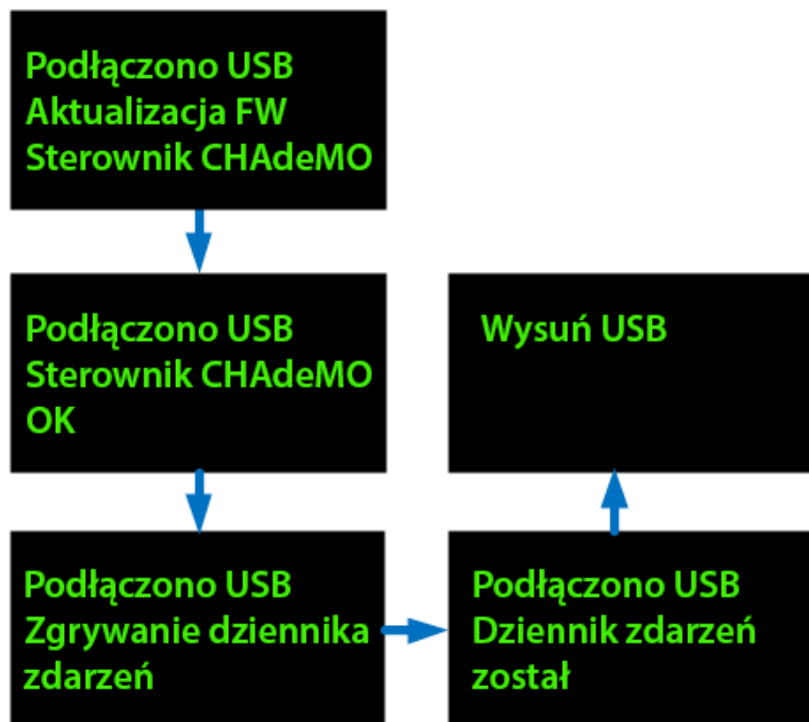
Aktualizacje oprogramowania sprzętowego

Aktualizacje oprogramowania sprzętowego można wykonywać poprzez port USB umieszczony na spodzie obudowy.

1. W tym celu należy wykorzystać pamięć USB. Format tego napędu musi być FAT/FAT32, < 32GB.
2. Umieścić pamięć USB w porcie na spodzie urządzenia (oznaczonym jako „USB”).



Aktualizacja oprogramowania sprzętowego zostanie przesłana do DC Wallbox. Stan aktualizacji jest sygnalizowany na panelu.



3. Po zakończeniu procedury aktualizacji następuje automatyczne ponowne uruchomienie systemu.
4. Zamknij pokrywę ochronną. Zatrząsk ma otwór w który można włożyć kłódkę, aby zapobiec manipulacji.

Konservacja urządzenia

Czynności wykonywane corocznie

1. Wymienić filtr powietrza.
2. Wykonać oględziny przewodu ładującego pod kątem uszkodzeń i deformacji.
3. Wykonać oględziny wtyczki ładującej pod kątem uszkodzeń, uszkodzeń wynikających z wyładowań łukowych lub korozji.



OSTRZEŻENIE!

Przed wykonaniem pracy w urządzeniu lub demontażem dowolnego podzespołu aby uniknąć porażenia prądem lub urazu należy wyłączyć zasilanie w rozdzielni zasilającej. Do chwili wyłączenia zasilania nie demontować zabezpieczeń lub innych podzespołów.

Przed wykonaniem obsługi technicznej DC Wallbox odłączyć urządzenie od źródła zasilania prądem przemiennym. Niezastosowanie się do powyższego może skutkować urazem lub uszkodzeniem układu elektrycznego i stacji ładowania.



Uwaga:

- Przed wyłączeniem głównego wyłącznika w celu odcięcia zasilania należy zapisać kod błędu wyświetlony na ekranie.
- Nawet po ustawieniu kluczyka w pozycji „Wył.” obwód znajdujący się przed głównym zaciskiem jest wciąż niebezpieczny. Dlatego w takim przypadku należy wykonać jedynie oględziny.
- Jedynie wykwalifikowany technik może wykonywać czynności obsługi technicznej urządzenia DC Wallbox.
- Po otwarciu przednich drzwi, przed rozpoczęciem obsługi technicznej, należy wyłączyć główny i pomocniczy wyłącznik.

Gwarancja

Ogólne wymagania gwarancyjne

Delta gwarantuje, że produkty będą wolne od wad materiałowych i wykonania przez okres dwóch lat w przypadku EVSE od numeru seryjnego wytłoczonego na produkcie przez pierwotnego nabywcę produktu od firmy Delta. Niniejsza gwarancja dotyczy wyłącznie pierwotnego nabywcy i nie można jej przenieść na osobę trzecią.

Utylizacja

Po prawidłowym wycofaniu urządzenia z eksploatacji należy oddać je do działu serwisowego zgodnie z obowiązującymi przepisami dotyczącymi usuwania odpadów. Urządzenia elektryczne i elektroniczne, w tym akcesoria, należy usuwać oddzielnie od odpadów ogólnych.



Należy poddać recyklingowi wszelkie materiały opakowaniowe, które są z materiałów nadających się do recyklingu, takich jak papier, karton, drewno itp. Usunąć inne materiały opakowaniowe niepodlegające recyklingowi do odpadów. Możesz wnieść znaczący wkład w ochronę naszego środowiska poprzez ponowne użycie lub recykling materiałów.

Kody w systemie

Kod alarmu	Opis
004001	Napięcie wejściowe zasilania jest wyższe od dopuszczalnego (> 305 V).
004002	Napięcie wejściowe systemu (L2 lub L3) jest niższe od dopuszczalnego (< 170 V).
004003	Napięcie wyjściowe systemu jest wyższe od maksymalnego napięcia akumulatora pojazdu.
004004	Wymagany prąd wyjściowy z pojazdu przewyższa obecne możliwości EVSE.
004005	Temperatura na wlocie powietrza lub stycznika wejściowego jest wyższa od dopuszczalnej (> 60°C)
004006	Temperatura wtyczki ładującej CCS jest wyższa od dopuszczalnej. <ul style="list-style-type: none"> ● REMA => (> 85°C) ● Phoenix => (> 75°C)
004007	Należy wymienić filtr powietrza.
004008	Następuje tłumienie wentylatora systemowego, co powoduje konieczność jego wymiany.
004009	Automatyczny test sterownika systemowego zakończony niepowodzeniem.
00400A	Naciśnięto przycisk zatrzymania awaryjnego.
00400B	Błędny użytkownik autoryzowany przez administratora.
00400C	Błędny użytkownik autoryzowany przez EVSE.
00400D	Usterka czujnika temperatury na wlocie powietrza.
00400E	Usterka czujnika temperatury stycznika wejściowego.
00400F	Wyzwolenie SPD.
004010	Przepalony bezpiecznik wyjściowy po stronie CCS.
004011	Przepalony bezpiecznik wyjściowy po stronie CHAdeMO.
004012	Usterka czujnika temperatury wtyczki ładującej CCS.
004013	Temperatura na wlocie powietrza lub stycznika wejściowego jest niższa od dopuszczalnej (< -40°C)
004014	Przerwanie ładowania przez użytkownika.
004017	Przekroczenie czasu - użytkownik nie podłączył przewodu po 3 minutach od autoryzacji.
004018	Zakończenie czasu ładowania (maks.: 2 h)
004019	Zbyt mała ilość pamięci na zapis danych systemowych.
004020	Nieznany błąd.
004021	Ładowanie zatrzymane zdalnie przez administratora.
004022	Spadek napięcia wejściowego (< 20 V, < 100 ms).
004023	Napięcie wejściowe systemu L1 jest wyższe od dopuszczalnego (< 170 V).
005001	Przerwana komunikacja z CHAdeMO EV.
005005	Przerwana komunikacja z CCS EV.
005006	Usterka prostownika (SMR).
005007	Przerwana komunikacja ze sterownikiem CCS.

Kod alarmu	Opis
005008	Przerwana komunikacja pomocniczym modułem zasilania.
005009	Przerwana komunikacja modułem sterowania przekaźnika.
00500C	Przerwana komunikacja modułem wyświetlacza.
00500D	Przerwana komunikacja modułem RFID.
00500E	Moduł 3G nie jest gotowy (sam moduł lub karta SIM).
00500F	Moduł Wi-Fi nie jest gotowy.
006001	Utrata połączenia pomiędzy 3G i APN.
006002	Utrata połączenia pomiędzy 3G i Internetem.
006003	Utrata połączenia pomiędzy 3G i administratorem.
006008	Utrata połączenia Ethernetem i Internetem.
006009	Utrata połączenia pomiędzy Ethernetem i administratorem.
007001	Usterka podzespołu sprzętowego prostownika.
007002	Napięcie wejściowe prostownika wyższe od dopuszczalnego.
007003	Napięcie wejściowe prostownika niższe od dopuszczalnego.
007004	Napięcie wyjściowe wyższe od dopuszczalnego napięcia prostownika.
007006	Temperatura na wlocie powietrza w prostowniku jest wyższa od dopuszczalnej (> 60°C).
007008	Temperatura PFC jest wyższa od dopuszczalnej.
007009	Temperatura PFC jest niższa od dopuszczalnej.
00700A	Temperatura DCDC jest wyższa od dopuszczalnej.
00700B	Temperatura DCDC jest niższa od dopuszczalnej.
00700C	Usterka wentylatora prostownika.
00700D	Usterka diody wyjściowego pierścienia uszczelniającego.
00700E	Próba odłączenia zakończona niepowodzeniem.
008003	Napięcie 5 V dla sterownika systemowego przekracza dopuszczalny zakres.
008004	Napięcie 5 V dla modułów systemowych przekracza dopuszczalny zakres.
008005	Napięcie 5 V dla magistrali CAN przekracza dopuszczalny zakres.
008006	Napięcie 12 V dla innych modułów systemowych przekracza dopuszczalny zakres.
008007	Napięcie 12 V dla komunikacji EV przekracza dopuszczalny zakres.
008008	Napięcie 24 V dla sterowania przekaźnikiem przekracza dopuszczalny zakres.
008009	Napięcie 5 V dla sterownika systemowego jest poniżej dopuszczalnego zakresu.
00800A	Napięcie 5 V dla innych modułów systemowych jest poniżej dopuszczalnego zakresu.
00800B	Napięcie 5 V dla magistrali CAN jest poniżej dopuszczalnego zakresu.
00800C	Napięcie 12 V dla innych modułów systemowych jest poniżej dopuszczalnego zakresu.
00800D	Napięcie 12 V dla komunikacji EV jest poniżej dopuszczalnego zakresu.
00800E	Napięcie 24 V dla sterowania przekaźnikiem jest poniżej dopuszczalnego zakresu.

Kod alarmu	Opis
008010	Prąd wyjściowy 5 V dla sterownika systemowego przekracza dopuszczalny zakres.
008011	Prąd wyjściowy 5 V dla innych modułów systemowych przekracza dopuszczalny zakres.
008012	Prąd wyjściowy 5 V dla magistrali CAN przekracza dopuszczalny zakres.
008013	Prąd wyjściowy 12 V dla innych modułów systemowych przekracza dopuszczalny zakres.
008014	Prąd wyjściowy 5 V dla komunikacji EV przekracza dopuszczalny zakres.
00500D	Przerwana komunikacja modułem RFID.
00500E	Moduł 3G nie jest gotowy (sam moduł lub karta SIM).
00500F	Moduł Wi-Fi nie jest gotowy.
006001	Utrata połączenia pomiędzy 3G i APN.
006002	Utrata połączenia pomiędzy 3G i Internetem.
006003	Utrata połączenia pomiędzy 3G i administratorem.
006008	Utrata połączenia Ethernetem i Internetem.
006009	Utrata połączenia pomiędzy Ethernetem i administratorem.
007001	Usterka podzespołu sprzętowego prostownika.
007002	Napięcie wejściowe prostownika wyższe od dopuszczalnego.
007003	Napięcie wejściowe prostownika niższe od dopuszczalnego.
007004	Napięcie wyjściowe wyższe od dopuszczalnego napięcia prostownika.
007006	Temperatura na wlocie powietrza w prostowniku jest wyższa od dopuszczalnej (> 60°C).
007008	Temperatura PFC jest wyższa od dopuszczalnej.
007009	Temperatura PFC jest niższa od dopuszczalnej.
00700A	Temperatura DCDC jest wyższa od dopuszczalnej.
00700B	Temperatura DCDC jest niższa od dopuszczalnej.
00700C	Usterka wentylatora prostownika.
00700D	Usterka diody wyjściowego pierścienia uszczelniającego.
00700E	Próba odłączenia zakończona niepowodzeniem.
008003	Napięcie 5 V dla sterownika systemowego przekracza dopuszczalny zakres.
008004	Napięcie 5 V dla modułów systemowych przekracza dopuszczalny zakres.
008005	Napięcie 5 V dla magistrali CAN przekracza dopuszczalny zakres.
008006	Napięcie 12 V dla innych modułów systemowych przekracza dopuszczalny zakres.
008007	Napięcie 12 V dla komunikacji EV przekracza dopuszczalny zakres.
008008	Napięcie 24 V dla sterowania przekaźnikiem przekracza dopuszczalny zakres.
008009	Napięcie 5 V dla sterownika systemowego jest poniżej dopuszczalnego zakresu.
00800A	Napięcie 5 V dla innych modułów systemowych jest poniżej dopuszczalnego zakresu.
00800B	Napięcie 5 V dla magistrali CAN jest poniżej dopuszczalnego zakresu.

Kod alarmu	Opis
00800C	Napięcie 12 V dla innych modułów systemowych jest poniżej dopuszczalnego zakresu.
00800D	Napięcie 12 V dla komunikacji EV jest poniżej dopuszczalnego zakresu.
00800E	Napięcie 24 V dla sterowania przekaźnikiem jest poniżej dopuszczalnego zakresu.
008010	Prąd wyjściowy 5 V dla sterownika systemowego przekracza dopuszczalny zakres.
008011	Prąd wyjściowy 5 V dla innych modułów systemowych przekracza dopuszczalny zakres.
008012	Prąd wyjściowy 5 V dla magistrali CAN przekracza dopuszczalny zakres.
008013	Prąd wyjściowy 12 V dla innych modułów systemowych przekracza dopuszczalny zakres.
008014	Prąd wyjściowy 5 V dla komunikacji EV przekracza dopuszczalny zakres.

Rozwiązywanie problemów

- Dlaczego ekran urządzenia DC Wall Box nie jest włączony?
 1. Sprawdź, czy przełącznik kluczykowy jest włączony.
 2. Sprawdź, czy dwa przyciski wielofunkcyjne pod ekranem są włączone.
 - a. Jeśli przyciski nie są włączone, sprawdź, czy ładowarka jest podłączona do gniazda elektrycznego.
 - b. Jeśli przyciski są włączone, to ekran jest uszkodzony. W takim przypadku należy skontaktować się z numerem serwisowym.

- Nie mogę się połączyć z 3G/4G, co mam zrobić?
Sprawdź, czy do ładowarki włożono kartę SIM bez numeru PIN i czy kabel modemu jest dobrze podłączony.

- Połączono się 3G/4G, ale nie można połączyć się z zapleczem (alarm 006009).
 1. Sprawdź konfigurację, czy ustawienie OCPP jest prawidłowe.
 2. Sprawdź, czy nie ma żadnych problemów z zapleczem.

- Nie można obsługiwać przycisku wielofunkcyjnego.
Sprawdź czy jest włączone podświetlenie przycisku i ekran.
 - a. Jeśli podświetlenie jest wyłączone, sprawdź, czy ładowarka jest podłączona do gniazda elektrycznego.
 - b. Jeśli tylko jeden przycisk jest wyłączony, to przycisk jest uszkodzony i należy skontaktować się z numerem serwisu.

- Dlaczego urządzenie DC Wall Box jest chybottliwe lub niestabilne po instalacji?
Sprawdź, czy wspornik montażowy jest dobrze przymocowany i czy ściana lub konstrukcja nośna ma możliwość solidnego zamocowania i podparcia przedmiotu o masie 80 kg. Jeśli wspornik montażowy jest pewnie przymocowany, ale ściana nie jest stabilna, należy zamontować urządzenie na bardziej stabilnej ścianie wsporczej, która może obsługiwać ładowarkę EV.

- Brak ładowania po przesunięciu karty RFID
 1. Sprawdź ustawienie konfiguracji. Tryb uwierzytelnienia powinien być wykonany przez kartę Delta.
 2. Użyj innej karty Delta, aby spróbować ponownie. Jeśli uwierzytelnienie nową kartą się powiedzie, należy wymienić drugą kartę RFID.

- Co zrobić, jeśli przypadkiem naciśną przycisk awaryjny? (kod alarmu: 00400A)
Obróć i pociągnij czerwony przycisk po lewej stronie ładowarki, aby ładowarka mogła znowu normalnie funkcjonować.

Dane techniczne

Model	EVDE25XXDXX	EVDE25XXEXX
Znamionowe napięcie wejściowe	380-415 V AC; 50/60 Hz; maks. 50 A.	200-230 V AC; 50/60 Hz; maks. 90 A
Okablowanie	3-fazowe/L1, L2, L3, N, PE	3-fazowe/L1, L2, L3, PE
Współczynnik mocy	> 0,98	
Współczynnik THD prądu	Zgodny z EN 61000-3-12, IEEE 519	
Wydajność	94% przy nominalnej mocy wyjściowej	
Wyjście DC nr 1	IEC CCS DC, poziom 2, 50-500 V DC, maks. 60 A, maks. 25 kW	
Wyjście DC nr 2	CHAdEMO, 50-500 V DC, maks. 60 A, maks. 25 kW	
Zabezpieczenia	Nadprądowe, podnapięciowe, przepięciowe, przeciwprzepięciowe, zwarciove, przed nadmierną temperaturą i zwarciem doziemnym	
Wyświetlacz	Ekran OLED 2,7"	
Przyciski	Przyciski wielofunkcyjne (diody LED: pomarańczowa, niebieska) / przycisk zatrzymania awaryjnego (czerwony)	
Uwierzytelnianie	ISO/IEC 14443, Typ A/B, RFID do uwierzytelniania użytkownika	
Interfejs sieciowy	Ethernet (Standard) Komórkowy (Standard, karta mikro SIM)	
Temperatura robocza	od -30°C do 50°C	
Wilgotność	< 95% wilgotności względnej, bez kondensacji	
Wysokość n.p.m.	Maks. 2000 m	
Stopień ochrony obudowy	IP55	
Stopień ochrony IK	IK08, zgodnie z IEC 62262	
Chłodzenie	Wymuszone, powietrzem	
Kabel do ładowania	Standard: 4 m Opcja dla IEC CCS DC: 7 m	
Wymiary (Szer. x Wys. x Gł.)	680 x 430 x 230 mm	
Masa	43 kg, bez wtyczki i kabla	
Atest	IEC 61851-1, IEC 61851-23	
Kompatybilność elektromagnetyczna:	IEC16000 klasa B FCC Part 15 klasa B	

